



US00D728854S

(12) **United States Design Patent**
Siniakov

(10) **Patent No.:** **US D728,854 S**

(45) **Date of Patent:** **** May 5, 2015**

(54) **HOOKAH**

(71) Applicant: **Oleg Shlyakhter**, Beijing (CN)

(72) Inventor: **Artem Siniakov**, Saint Petersburg (RU)

(73) Assignee: **Oleg Shlyakhter**, Beijing (CN)

(**) Term: **14 Years**

(21) Appl. No.: **29/461,508**

(22) Filed: **Jul. 24, 2013**

(51) **LOC (10) Cl.** **27-02**

(52) **U.S. Cl.**
USPC **D27/162**

(58) **Field of Classification Search**
CPC A24F 1/02; A24F 1/04; A24F 1/06;
A24F 1/08; A24F 1/10; A24F 1/12; A24F
1/14; A24F 1/22; A24F 9/16; A24F 47/002;
A24F 1/30; A24F 47/00
USPC D27/100–101, 106, 143, 152, 161–169,
D27/172, 183, 187, 189, 190, 193–194;
131/220–222, 226, 173, 174, 194,
131/329–330; D7/584, 585; D9/500, 502;
D11/143, 144, 146, 152; D24/110.5

See application file for complete search history.

(56) **References Cited**

U.S. PATENT DOCUMENTS

D247,255	S	*	2/1978	Frost	D27/162
D584,853	S	*	1/2009	Kassir	D27/162
D649,699	S	*	11/2011	Mehio	D27/162
D710,052	S	*	7/2014	Lanča	D27/162
2009/0095310	A1	*	4/2009	Chaoui	131/173
2012/0118306	A1	*	5/2012	Mehio	131/328
2012/0180803	A1	*	7/2012	Beloni	131/173
2014/0041676	A1	*	2/2014	Mehio	131/328

* cited by examiner

Primary Examiner — Susan Bennett Hattan

Assistant Examiner — Janice Hallmark

(74) *Attorney, Agent, or Firm* — McNeese Wallace & Nurick LLC

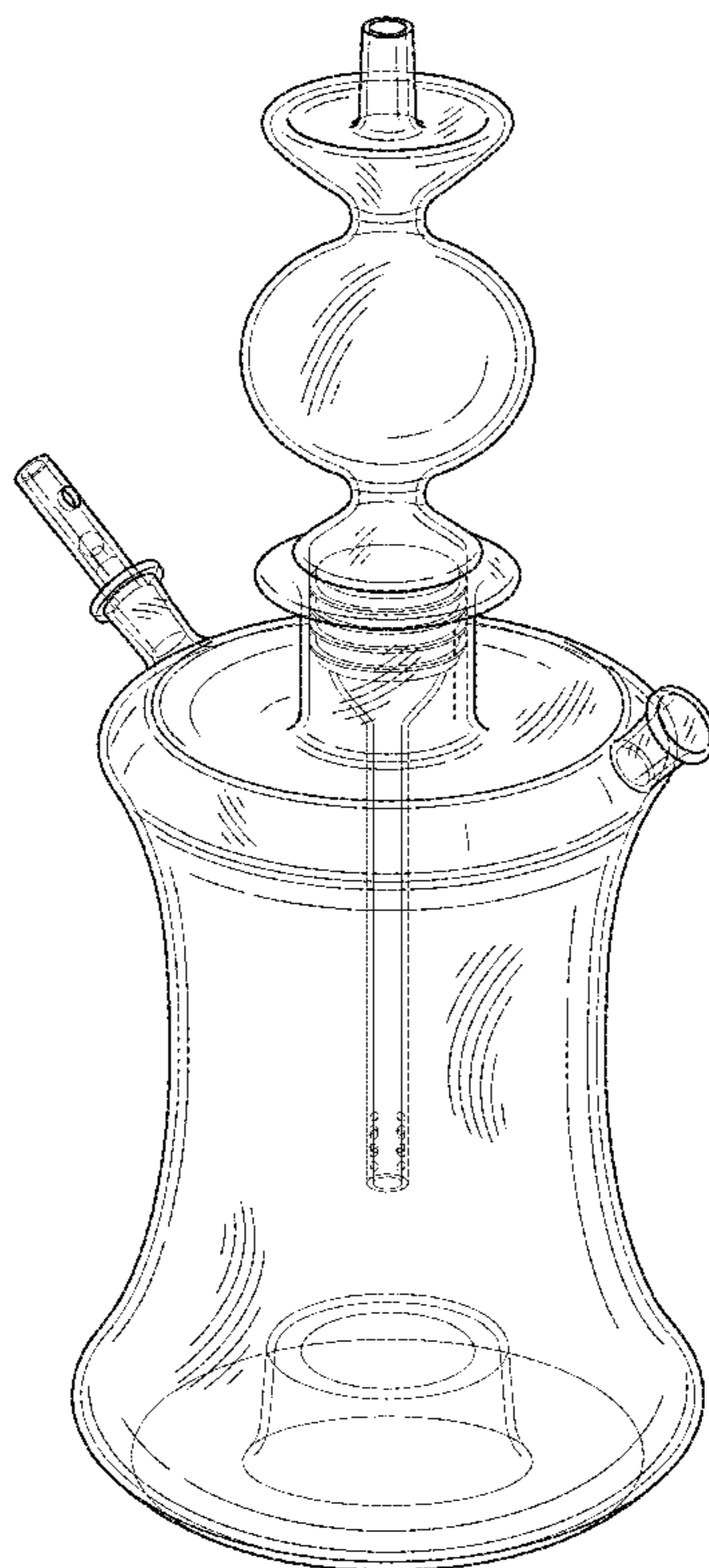
(57) **CLAIM**

The ornamental design for a hookah, as shown and described.

DESCRIPTION

FIG. 1 is a front view of a hookah according to the disclosure; FIG. 2 is a back view of a hookah according to the disclosure; FIG. 3 is a left side view of a hookah according to the disclosure; FIG. 4 is a right side view of a hookah according to the disclosure; FIG. 5 is a top view of a hookah according to the disclosure; FIG. 6 is a bottom view of a hookah according to the disclosure; and, FIG. 7 is a perspective view of a hookah according to the disclosure.

1 Claim, 6 Drawing Sheets



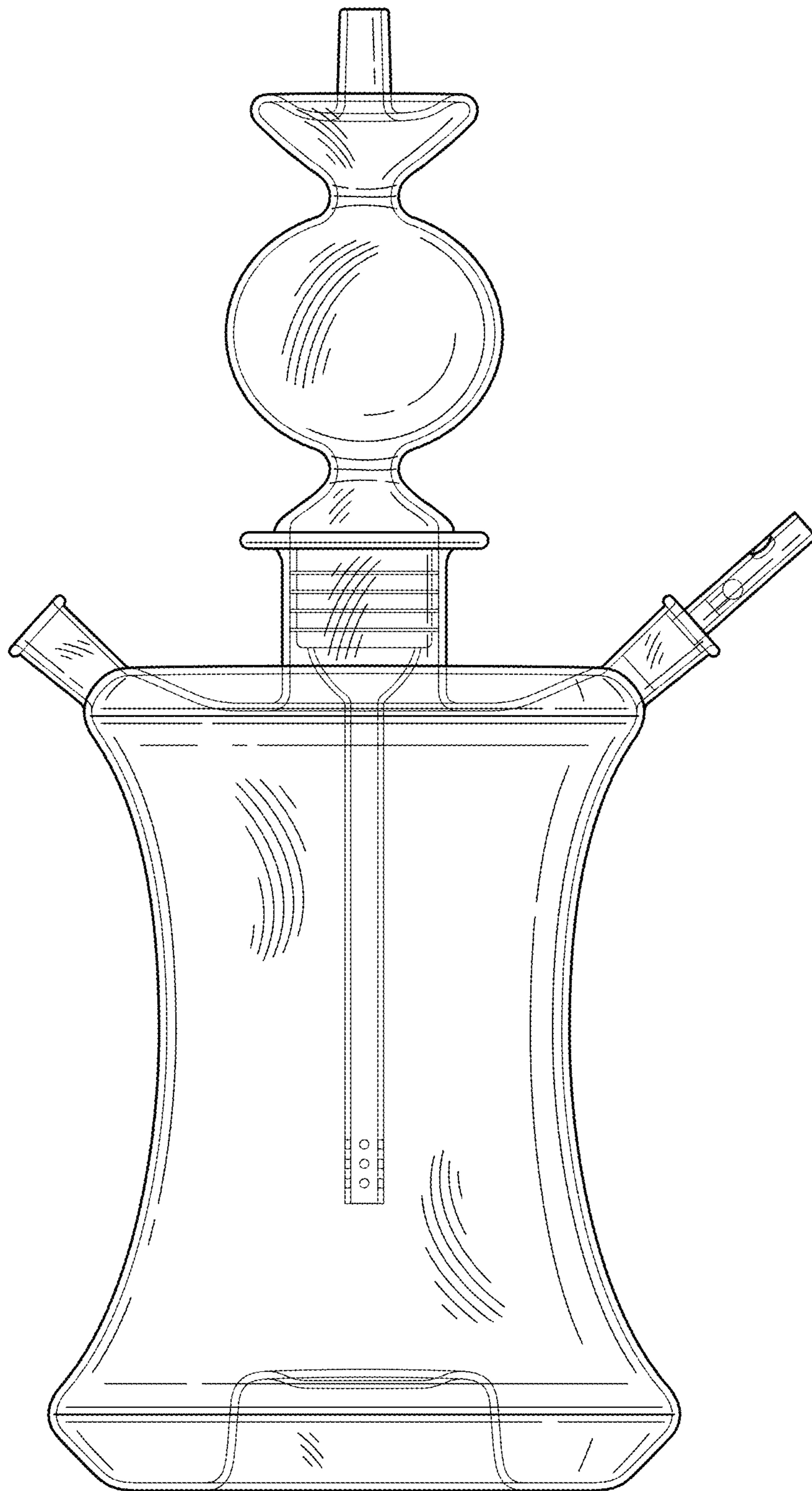


FIG. 1

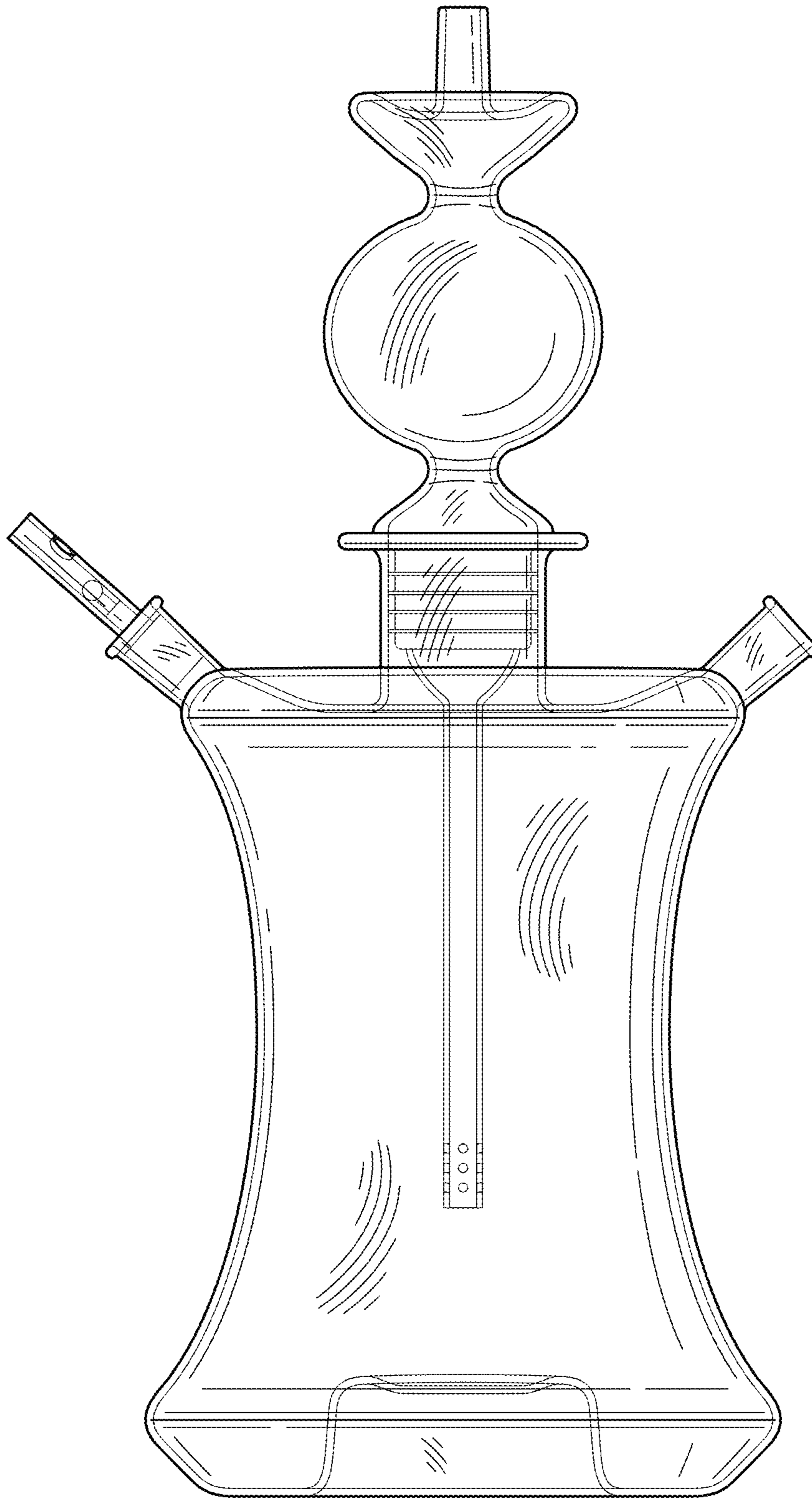


FIG. 2

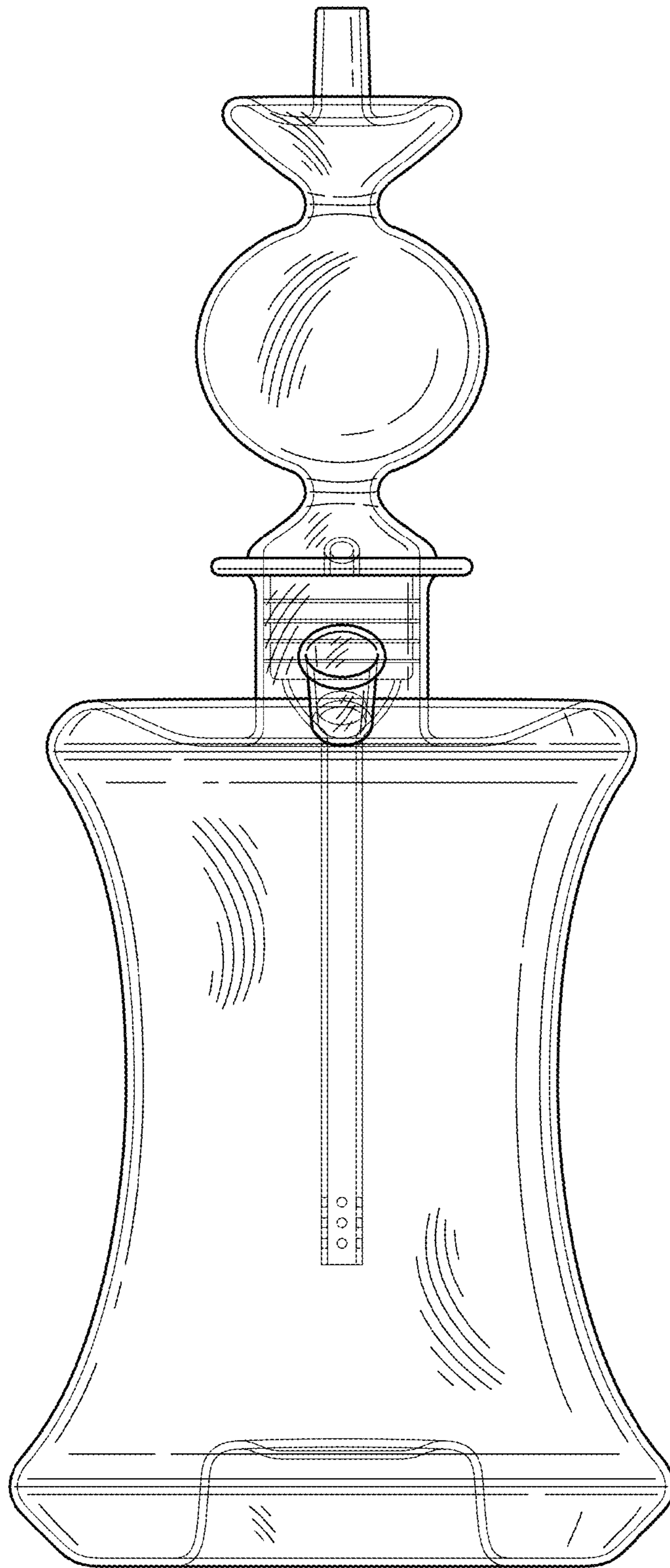


FIG. 3

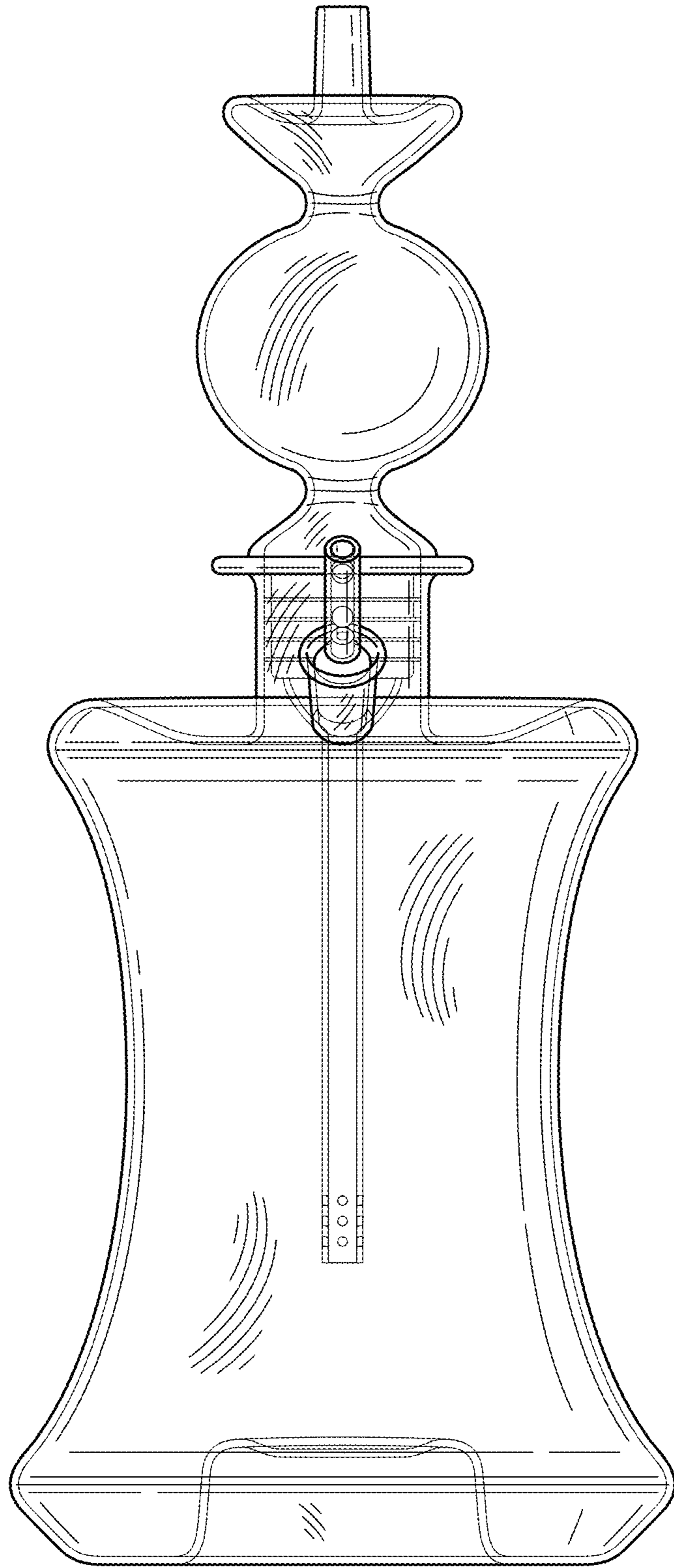


FIG. 4

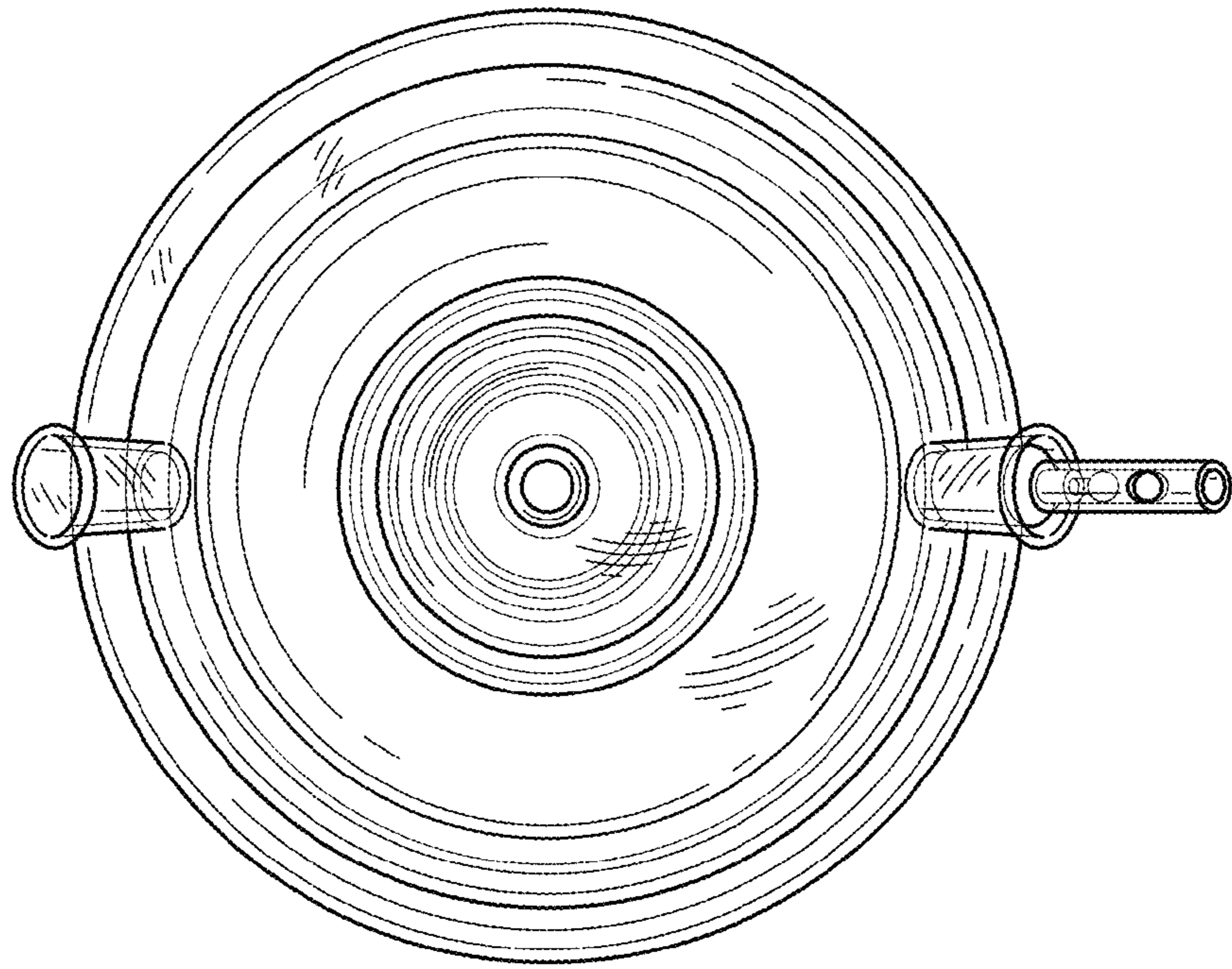


FIG. 5

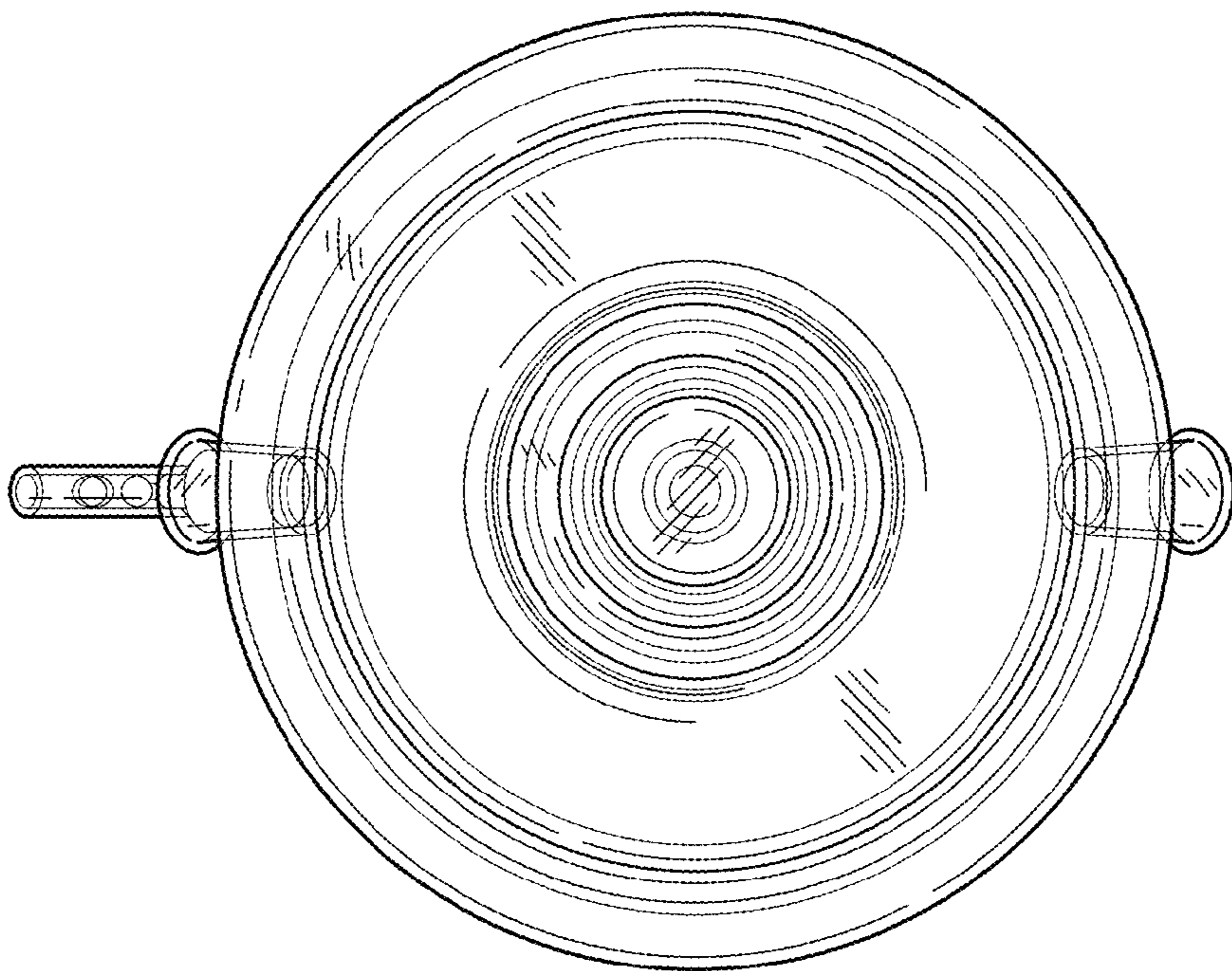


FIG. 6

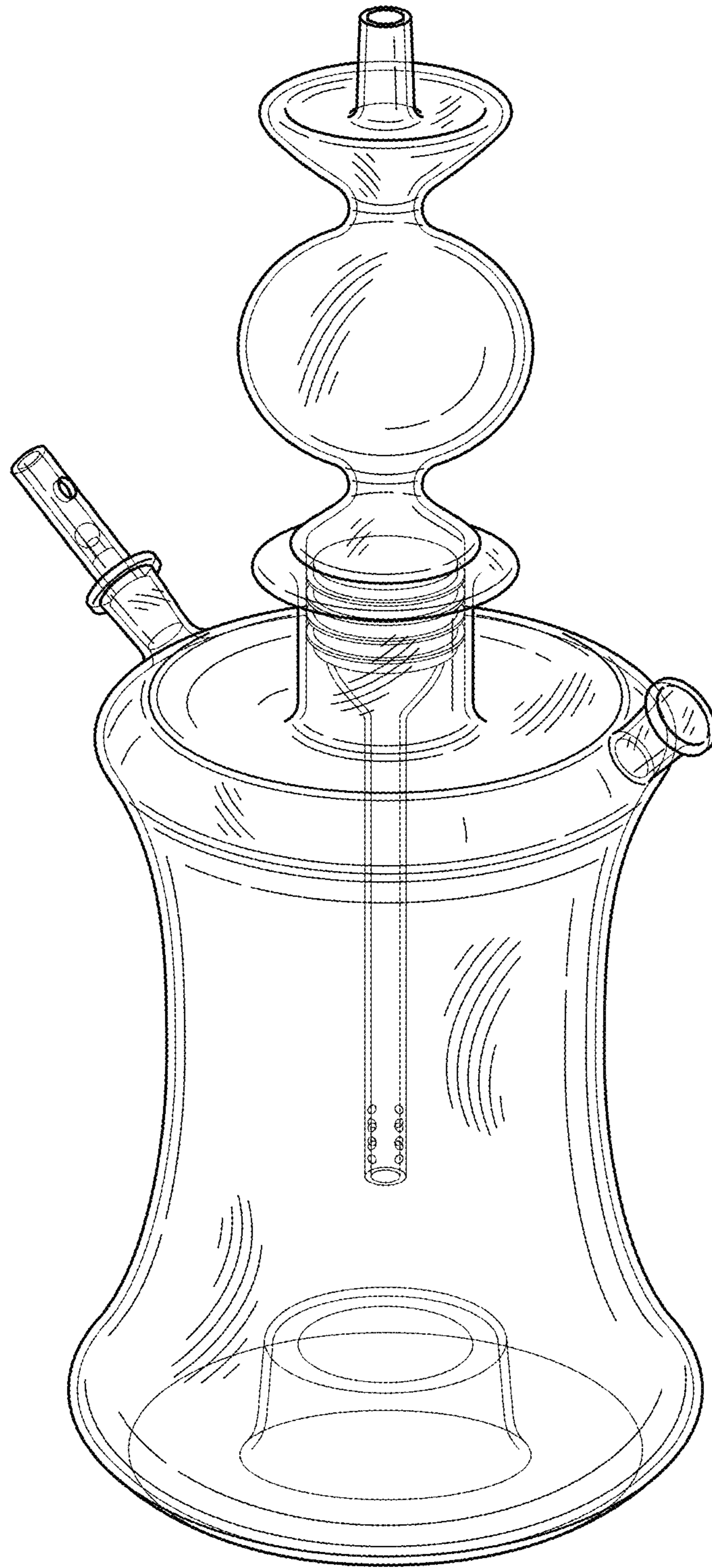


FIG. 7