



US00D728853S

(12) **United States Design Patent**
Han

(10) **Patent No.:** **US D728,853 S**
(45) **Date of Patent:** **** May 5, 2015**

(54) **ELECTRONIC CIGARETTE**

(71) Applicant: **Desonic Electronic Co., Ltd.**, Shenzhen, Guangdong (CN)

(72) Inventor: **Kuker Han**, Guangdong (CN)

(73) Assignee: **Desonic Electronic Co., Ltd.**, Shenzhen (CN)

(**) Term: **14 Years**

(21) Appl. No.: **29/480,569**

(22) Filed: **Jan. 28, 2014**

(51) **LOC (10) Cl.** **27-01**

(52) **U.S. Cl.**
USPC **D27/101**

(58) **Field of Classification Search**

CPC A24F 1/02; A24F 1/04; A24F 1/06;
A24F 1/08; A24F 1/10; A24F 1/12; A24F
1/14; A24F 1/22; A24F 9/16; A24F
47/002-47/008; A24F 1/30; A24F 47/00
USPC D27/100-101, 106, 143, 152, 161-172,
D27/183-184, 187, 189, 190, 193-194;
131/220-222, 226, 173, 174, 194,
131/328-330, 270, 273; D7/584, 585;
D9/500, 502; D11/143, 144, 146, 152;
D24/110.5, 110

See application file for complete search history.

(56) **References Cited**

U.S. PATENT DOCUMENTS

D108,336	S	*	2/1938	Lykos et al.	D27/170
D122,893	S	*	10/1940	Hurley	D27/103
D154,917	S	*	8/1949	Galashek	D27/164
2,704,081	A	*	3/1955	Green	131/217
D604,010	S	*	11/2009	Borden	D27/164
D657,046	S	*	4/2012	Terry et al.	D24/110
D657,047	S	*	4/2012	Minskoff et al.	D24/110
D687,181	S	*	7/2013	Goch	D27/101
D687,999	S	*	8/2013	Liu	D27/101
D688,416	S	*	8/2013	Liu	D27/101
2006/0021613	A1	*	2/2006	Overlander	128/200.14

* cited by examiner

Primary Examiner — Susan Bennett Hattan

Assistant Examiner — Janice Hallmark

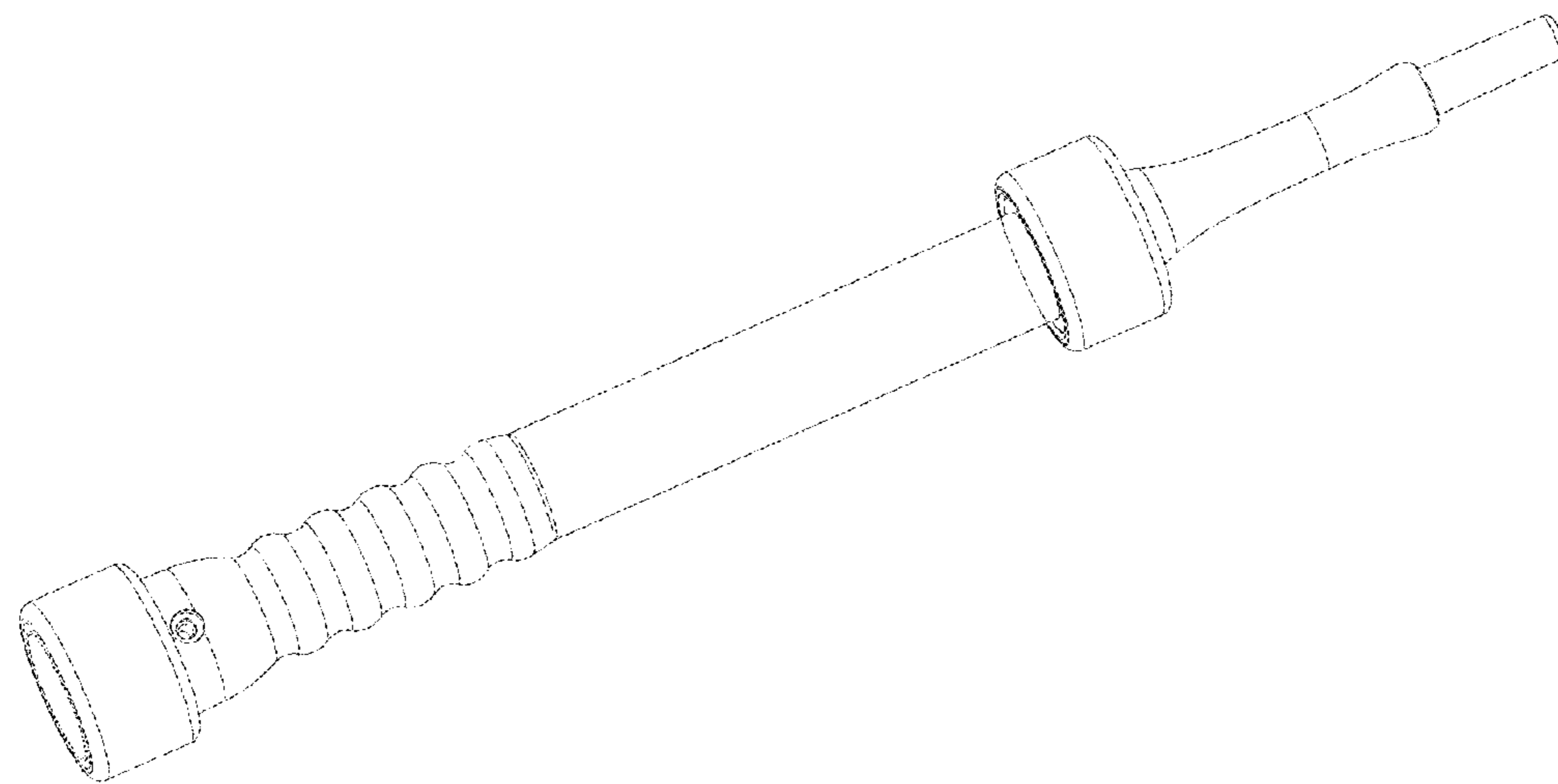
(57) **CLAIM**

The ornamental design for an electronic cigarette, as shown and described.

DESCRIPTION

FIG. 1 is a front elevational view of an electronic cigarette; FIG. 2 is a rear elevational view thereof; FIG. 3 is a left side view thereof; FIG. 4 is a right side view thereof; FIG. 5 is a top plan view thereof; FIG. 6 is a bottom plan view thereof; FIG. 7 is a first perspective view thereof; and, FIG. 8 is a second perspective view thereof. The broken lines in the drawings depict parts of the electronic cigarette that form no part of the claimed design.

1 Claim, 3 Drawing Sheets



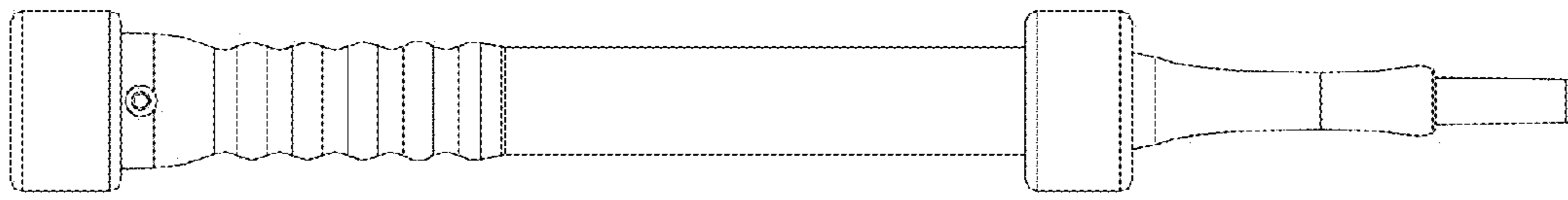


Fig. 1

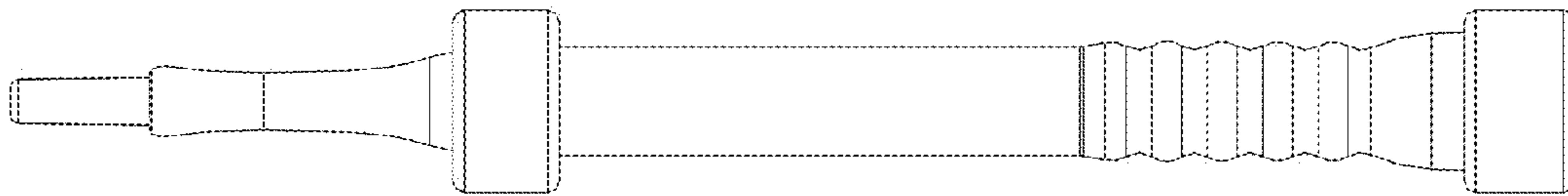


Fig. 2

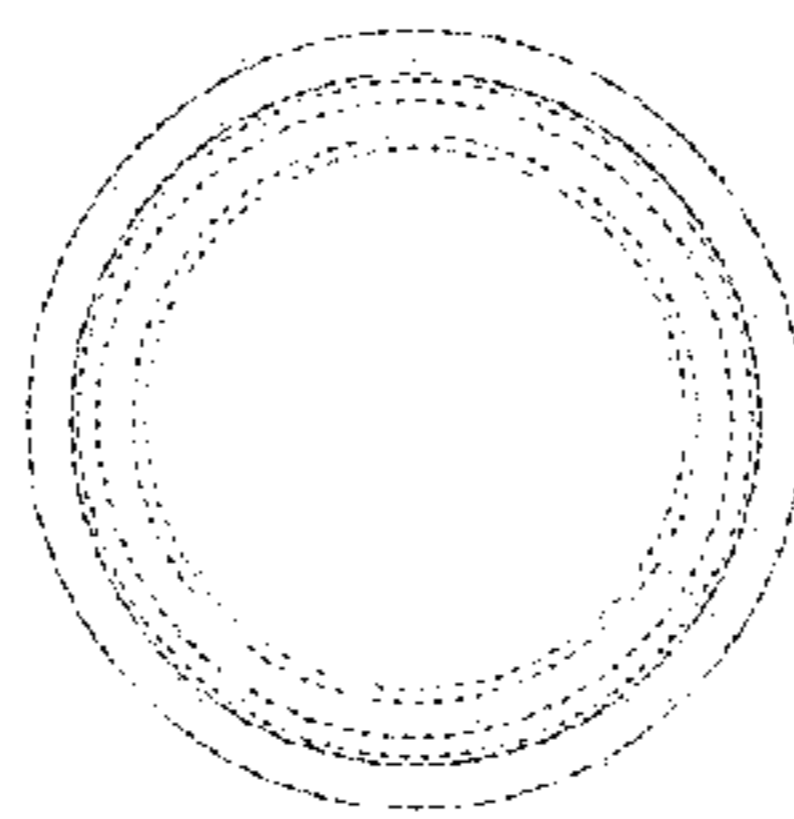


Fig. 3

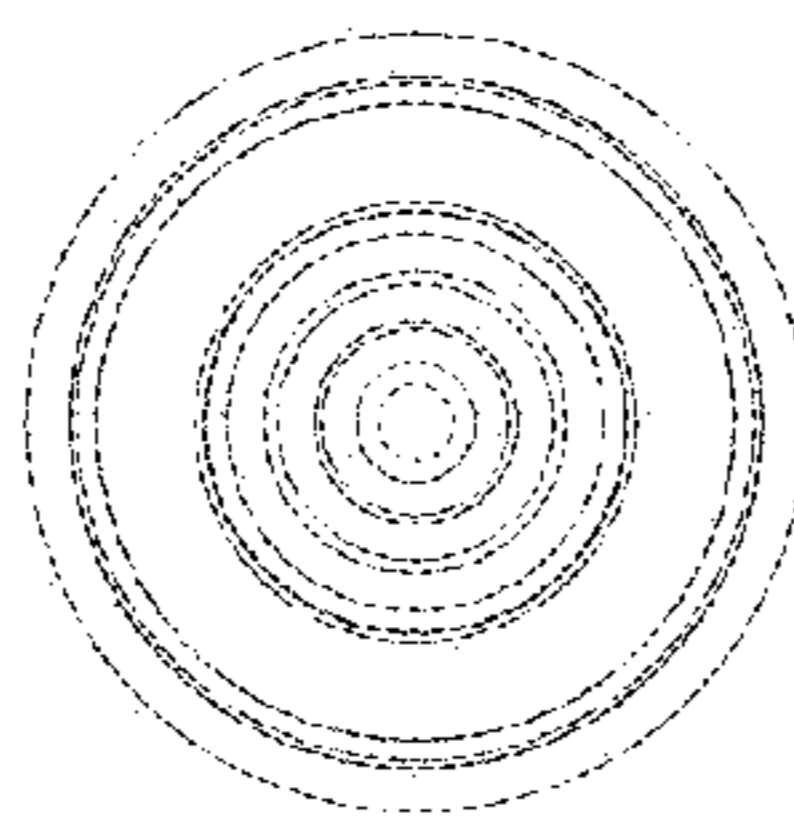


Fig. 4

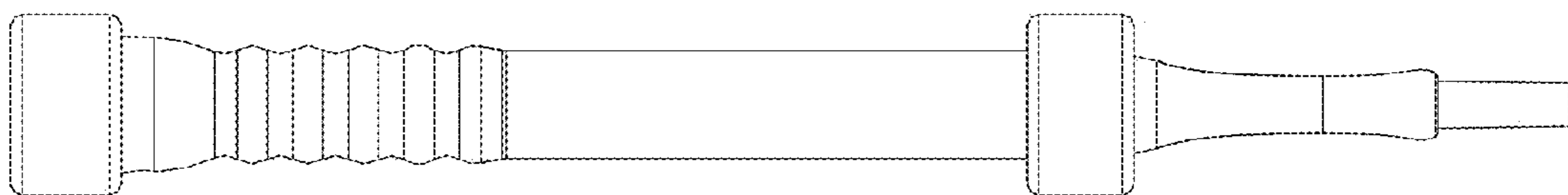


Fig. 5

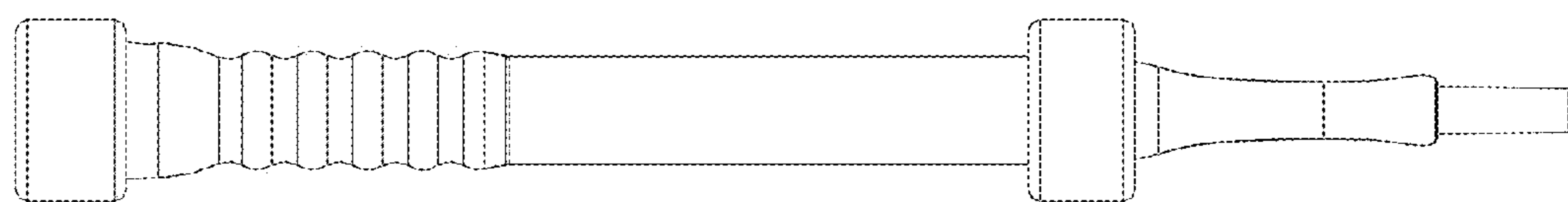


Fig. 6

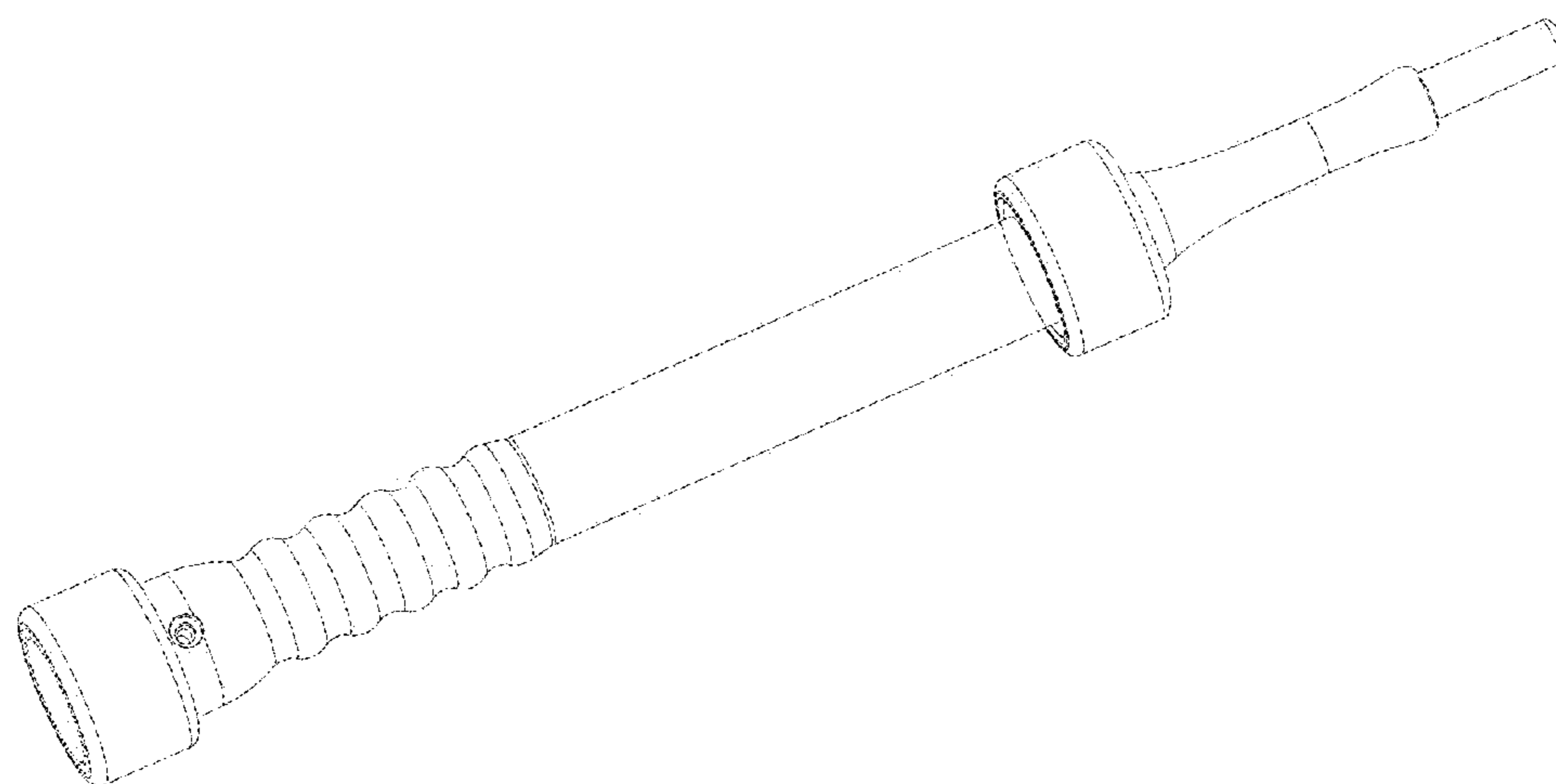


Fig. 7

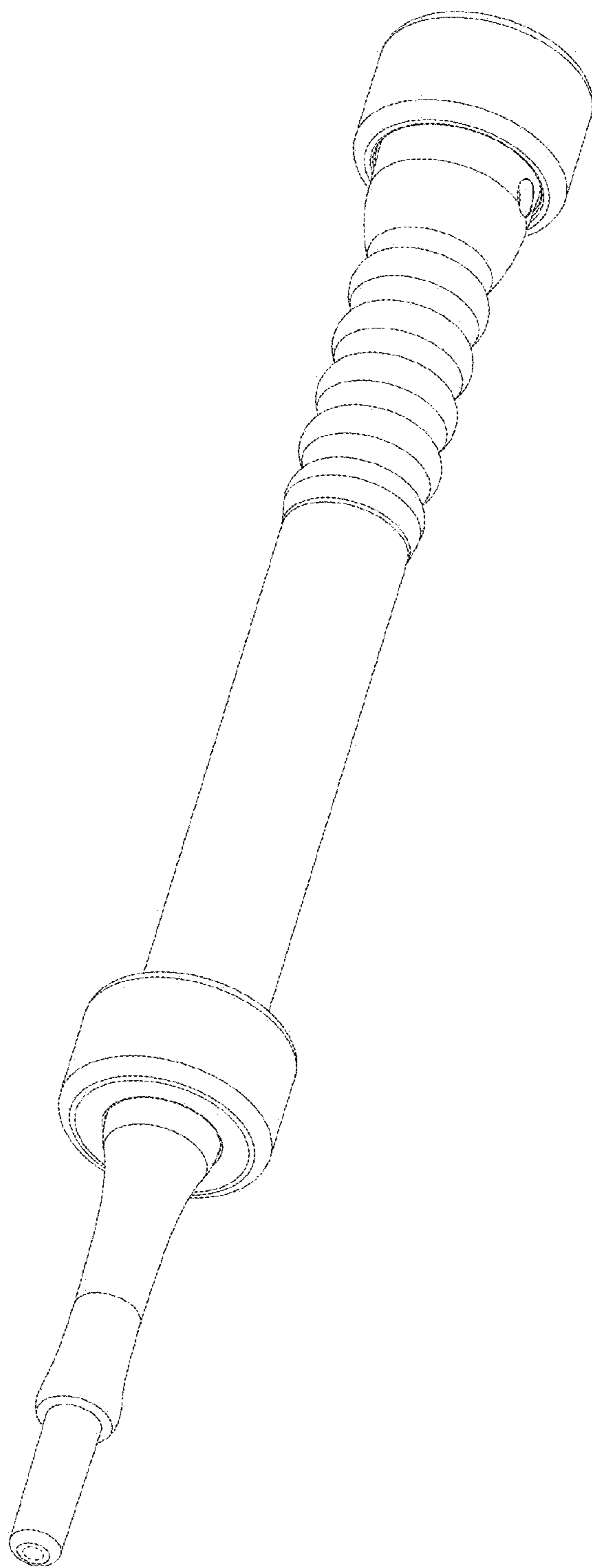


Fig. 8