



US00D728849S

(12) **United States Design Patent**
Hamel et al.

(10) **Patent No.:** **US D728,849 S**

(45) **Date of Patent:** **** May 5, 2015**

(54) **LED PROJECTION FIXTURE**

(75) Inventors: **Yvan Hamel**, Laval (CA); **David Cavaliere**, Montreal (CA)

(73) Assignee: **Lumenpulse Lighting Inc.**, Montreal (CA)

(**) Term: **14 Years**

(21) Appl. No.: **29/419,974**

(22) Filed: **May 3, 2012**

(51) **LOC (10) Cl.** **26-99**

(52) **U.S. Cl.**
USPC **D26/128**

(58) **Field of Classification Search**
CPC F21S 8/00; F21S 8/04; F21S 8/06;
F21S 8/043; F21S 8/063; F21S 8/003; F21S
8/02; F21S 8/026; F21S 8/03
USPC D26/113, 118, 119, 120, 121, 122, 145,
D26/142, 143, 128, 138
See application file for complete search history.

(56) **References Cited**

U.S. PATENT DOCUMENTS

D150,357 S *	7/1948	Herbster	D23/390
D240,320 S *	6/1976	Luminaire	D26/85
D242,943 S *	1/1977	Lazerson	D26/88
D287,413 S *	12/1986	Kusmer et al.	D26/65
D294,523 S *	3/1988	Ewing et al.	D26/71
D370,076 S *	5/1996	Lecluze	D26/63
D389,260 S *	1/1998	Mier-Langner et al.	D26/63
D394,723 S *	5/1998	Mier-Langner et al.	D26/63
D436,211 S *	1/2001	Neeld et al.	D26/85
D451,227 S *	11/2001	Orellana et al.	D26/67
D538,966 S *	3/2007	Lehman et al.	D26/138
D583,984 S *	12/2008	Takahashi et al.	D26/89
D585,582 S *	1/2009	Campbell	D26/88
D588,301 S *	3/2009	Sabernig	D26/90
D589,636 S *	3/2009	Pinette	D26/63
D596,336 S *	7/2009	Sabernig	D26/88
D599,947 S *	9/2009	Sabernig	D26/88

(Continued)

Primary Examiner — Kevin Rudzinski

(74) *Attorney, Agent, or Firm* — Burns & Levinson LLP;
Joseph Maraia

(57) **CLAIM**

The ornamental design for a LED projection fixture, as shown and described.

DESCRIPTION

FIG. 1 is a back view of an embodiment of an LED projection fixture;

FIG. 2 is a top plan view of the LED projection fixture of FIG. 1;

FIG. 3 is a front perspective view of the LED projection fixture of FIG. 1;

FIG. 4 is a back perspective view of the LED projection fixture of FIG. 1;

FIG. 5 is a back view of a second embodiment of an LED projection fixture;

FIG. 6 is a top plan view of the LED projection fixture of FIG. 5;

FIG. 7 is a front perspective view of the LED projection fixture of FIG. 5;

FIG. 8 is a back perspective view of the LED projection fixture of FIG. 5;

FIG. 9 is a back view of a third embodiment of an LED projection fixture;

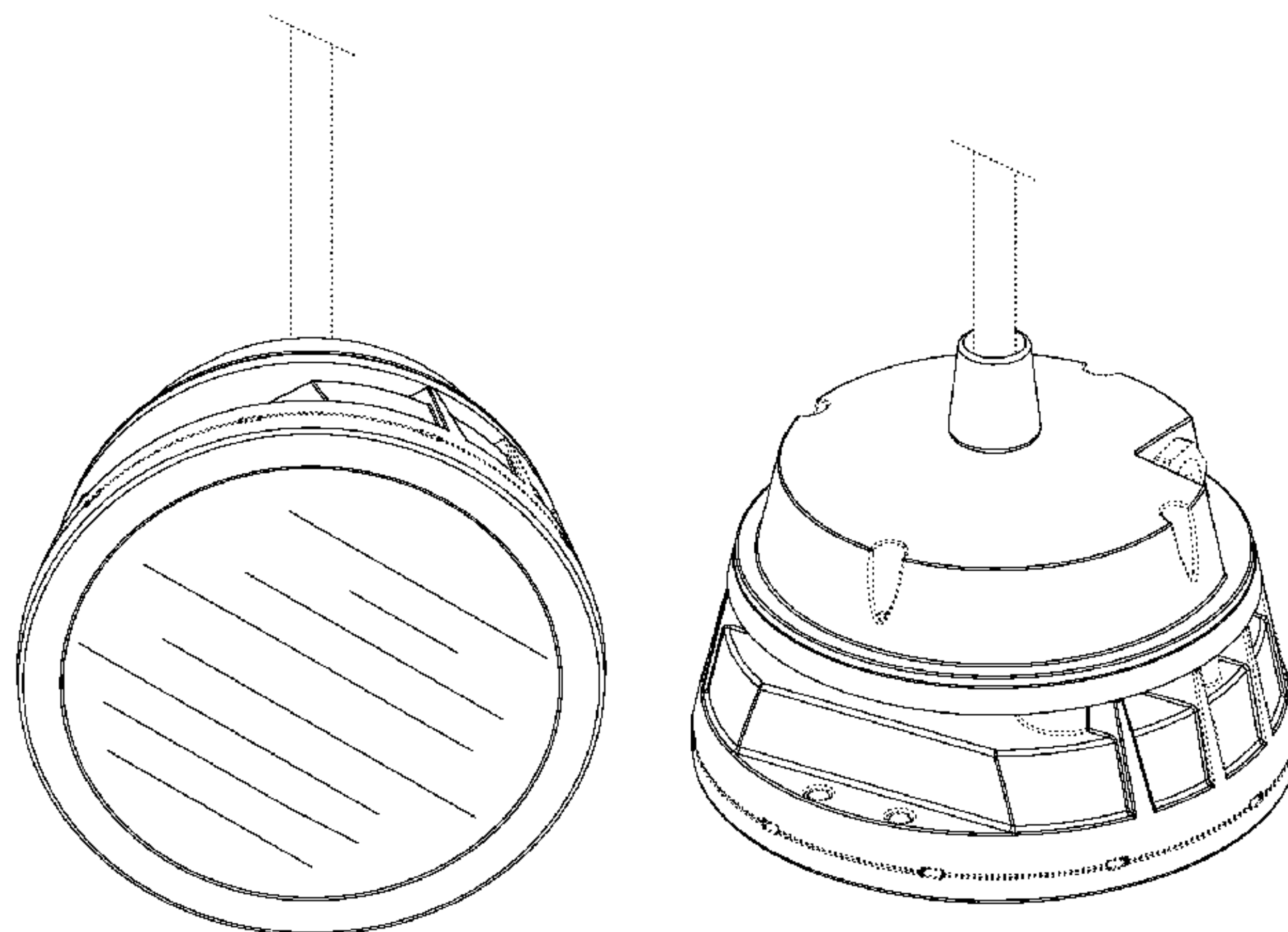
FIG. 10 is a top plan view of the LED projection fixture of FIG. 9;

FIG. 11 is a front perspective view of the LED projection fixture of FIG. 9; and,

FIG. 12 is a back perspective view of the LED projection fixture of FIG. 9.

The broken lines shown are included for the purpose of illustrating environmental structure and form no part of the claimed design. None of the broken lines form any part of the claimed design. Patentability is based only on those portions of the article that are shown in solid lines.

1 Claim, 12 Drawing Sheets



(56)

References Cited

U.S. PATENT DOCUMENTS

D604,003 S *	11/2009	Sabernig	D26/83	D659,886 S *	5/2012	Wauters	D26/90
D605,324 S *	12/2009	Mier-Langner et al.	D26/63	D662,645 S *	6/2012	Morgan	D26/84
D609,840 S *	2/2010	Tang	D26/74	D663,470 S *	7/2012	Ruiz	D26/88
D614,325 S *	4/2010	Mier-Langner et al.	D26/26	D673,721 S *	1/2013	Shen	D26/138
D617,031 S *	6/2010	Redfern et al.	D26/85	D674,962 S *	1/2013	Drake et al.	D26/118
D619,288 S *	7/2010	Mier-Langner et al.	D26/63	D676,999 S *	2/2013	Morgan	D26/128
D625,871 S *	10/2010	Huang	D26/63	D687,585 S *	8/2013	Kim et al.	D26/72
D635,292 S *	3/2011	Chiang et al.	D26/88	D688,405 S *	8/2013	Kim et al.	D26/72
D639,993 S *	6/2011	Mier-Langner et al.	D26/74	D689,648 S *	9/2013	Silver	D26/88
D640,815 S *	6/2011	Yamada et al.	D26/63	D690,453 S *	9/2013	Guercio et al.	D26/88
D645,596 S *	9/2011	Yamada	D26/63	8,545,064 B2 *	10/2013	Blincoe et al.	362/373
D650,116 S *	12/2011	Buyce et al.	D26/118	D693,500 S *	11/2013	Souvay et al.	D26/51
D651,733 S *	1/2012	Becker	D26/63	D695,945 S *	12/2013	Wright	D26/89
D656,263 S *	3/2012	Ogawa et al.	D26/74	D702,867 S *	4/2014	Kim et al.	D26/72
				D710,529 S *	8/2014	Lopez et al.	D26/113
				2011/0075414 A1 *	3/2011	Van De Ven et al.	362/235

* cited by examiner

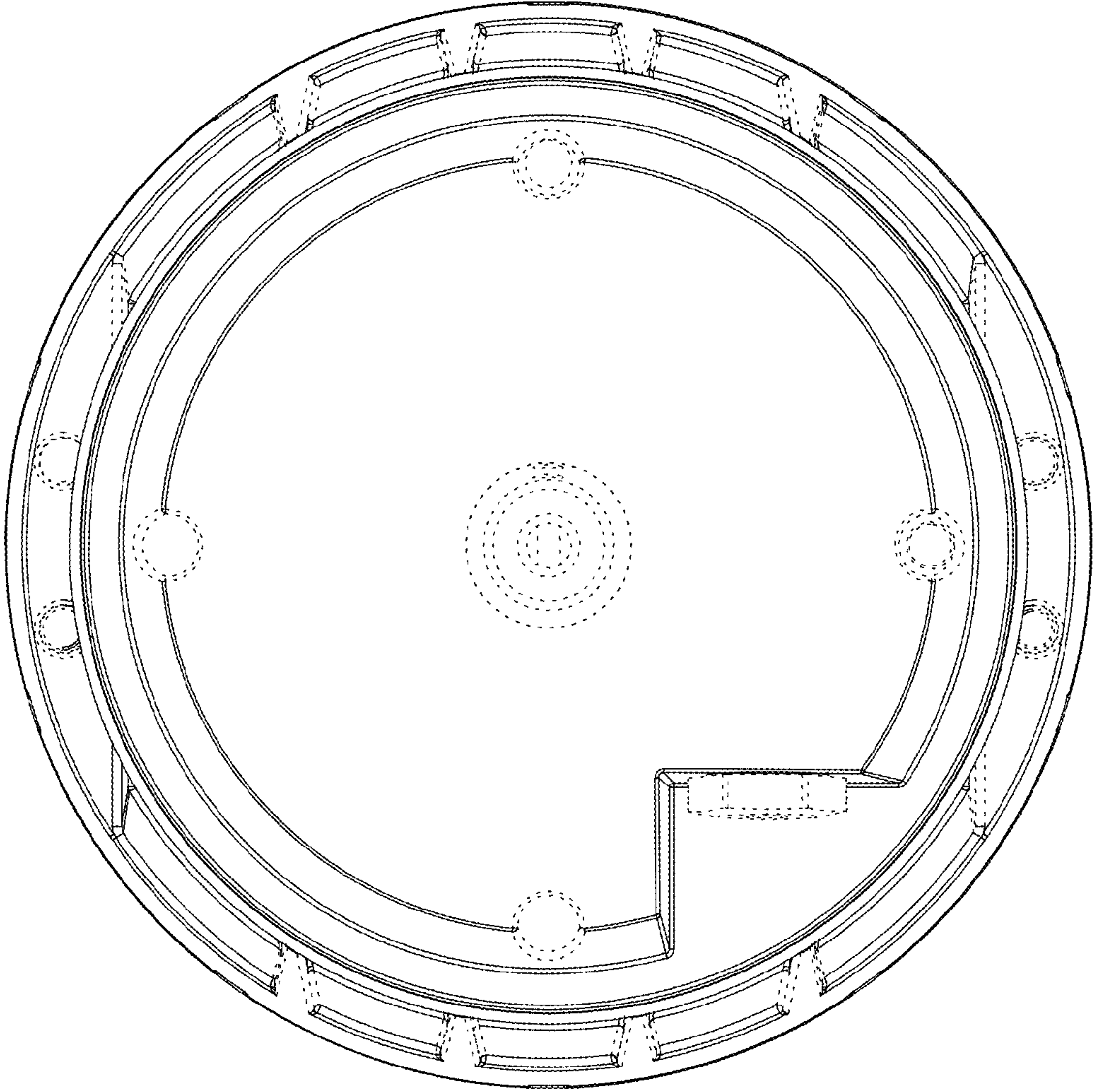


FIG. 1

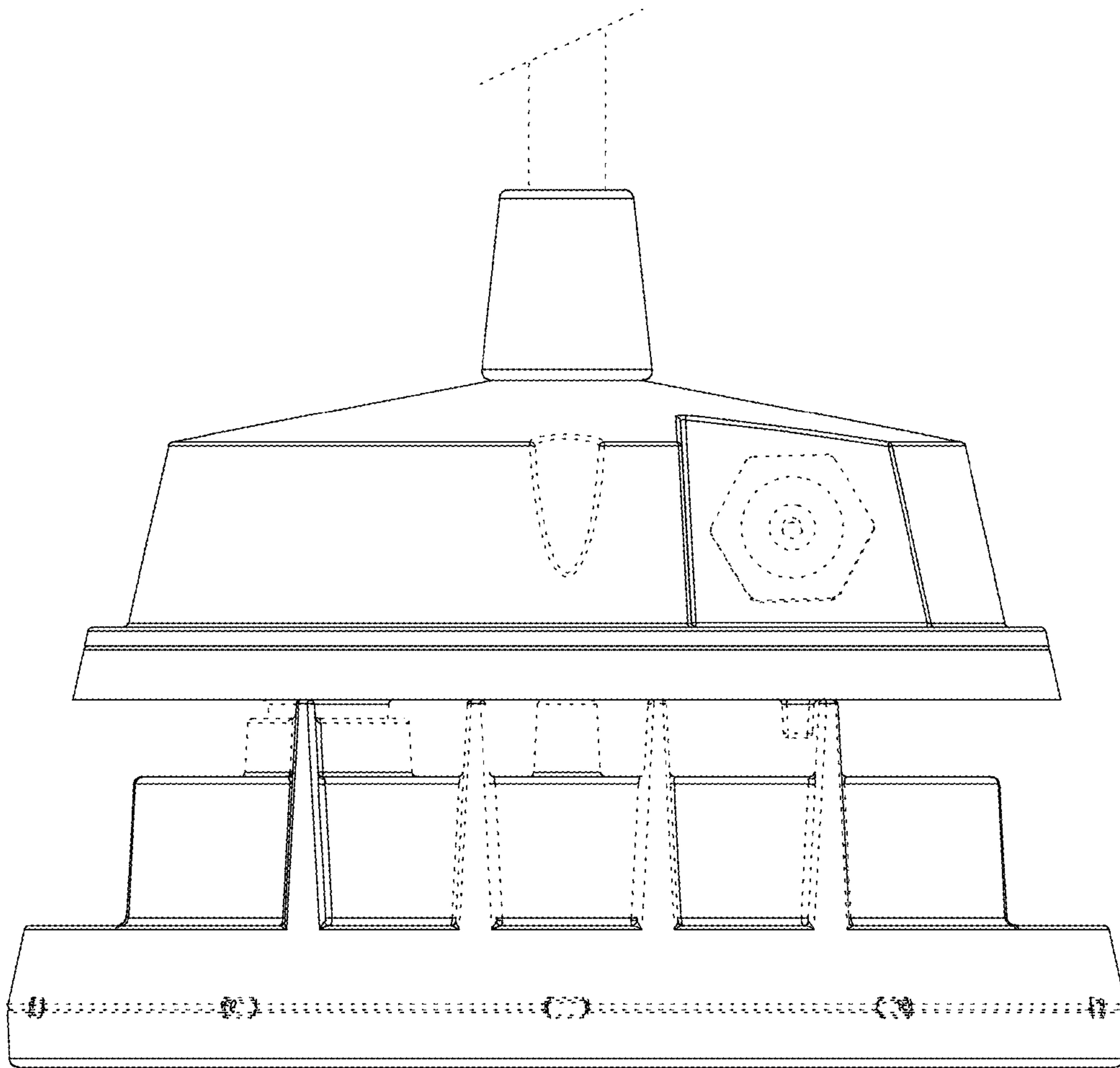


FIG. 2

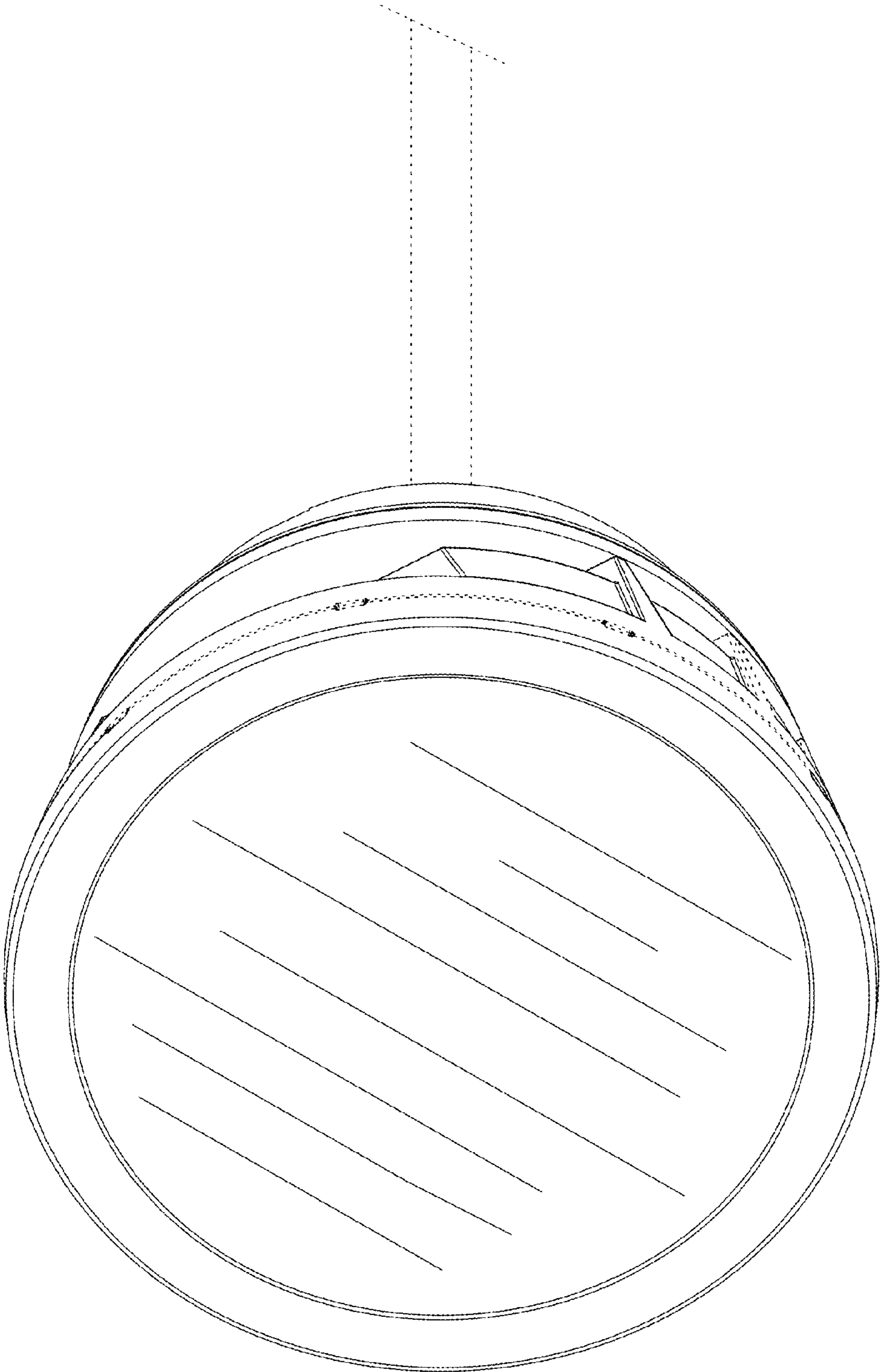


FIG. 3

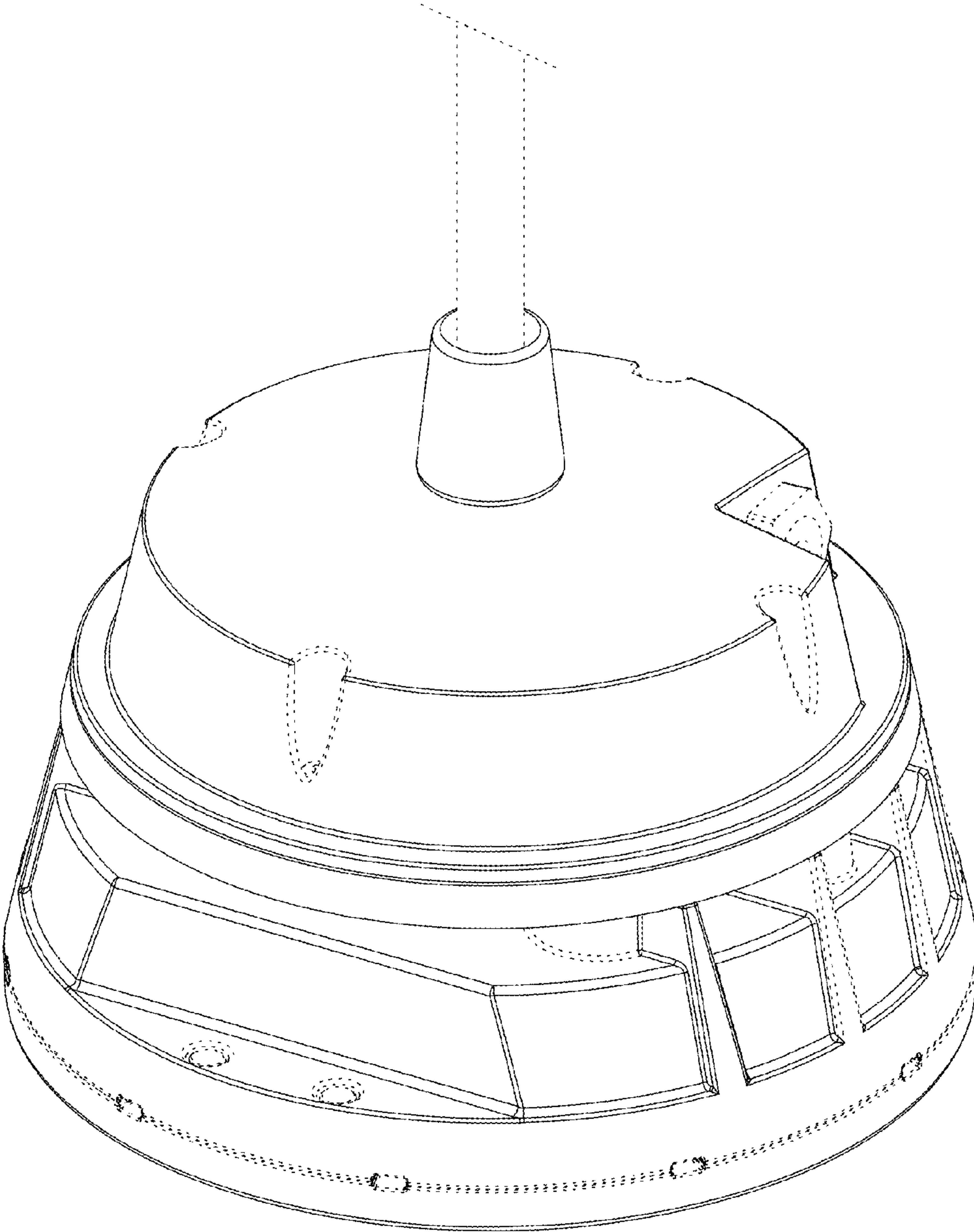


FIG. 4

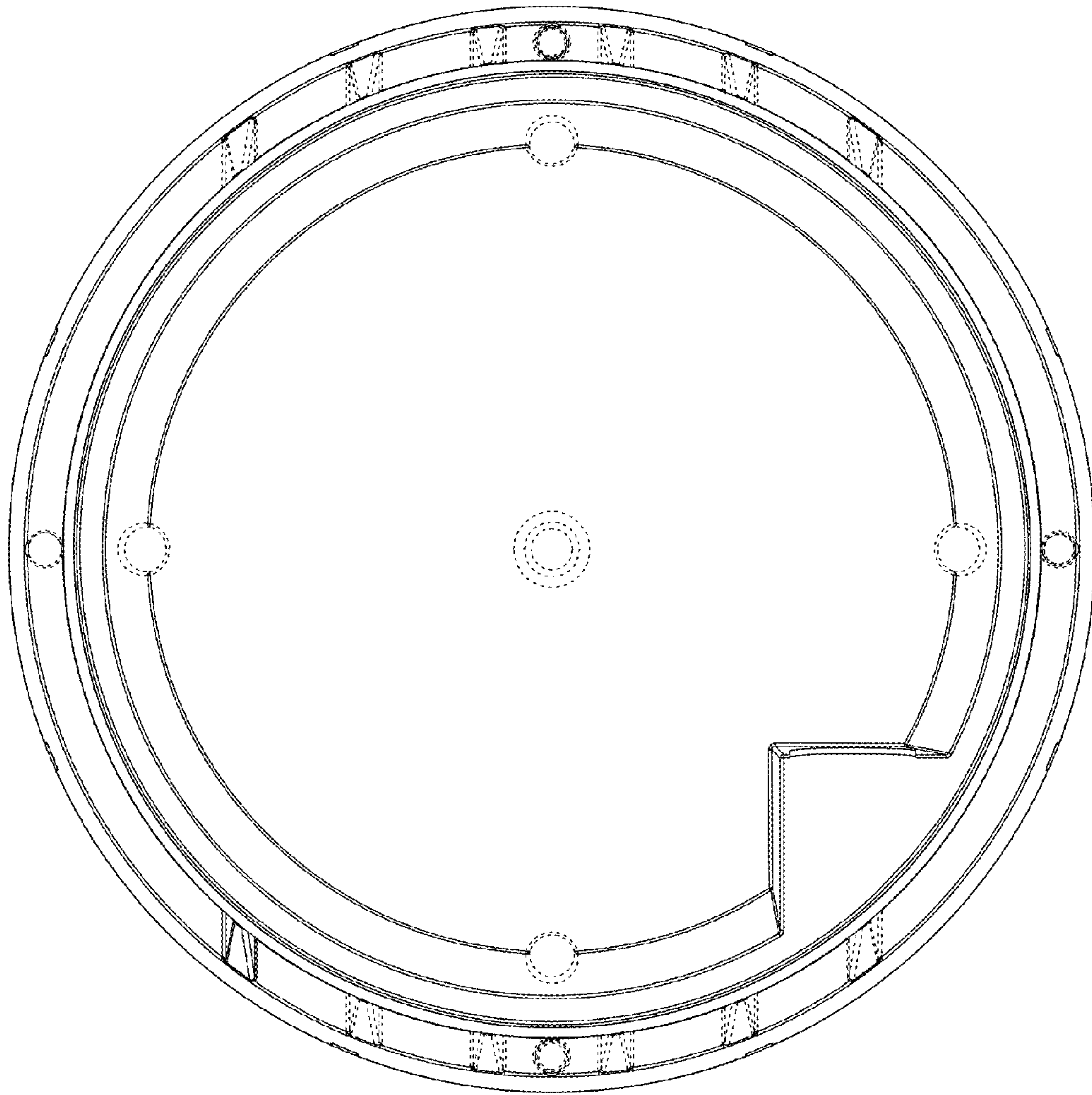


FIG. 5

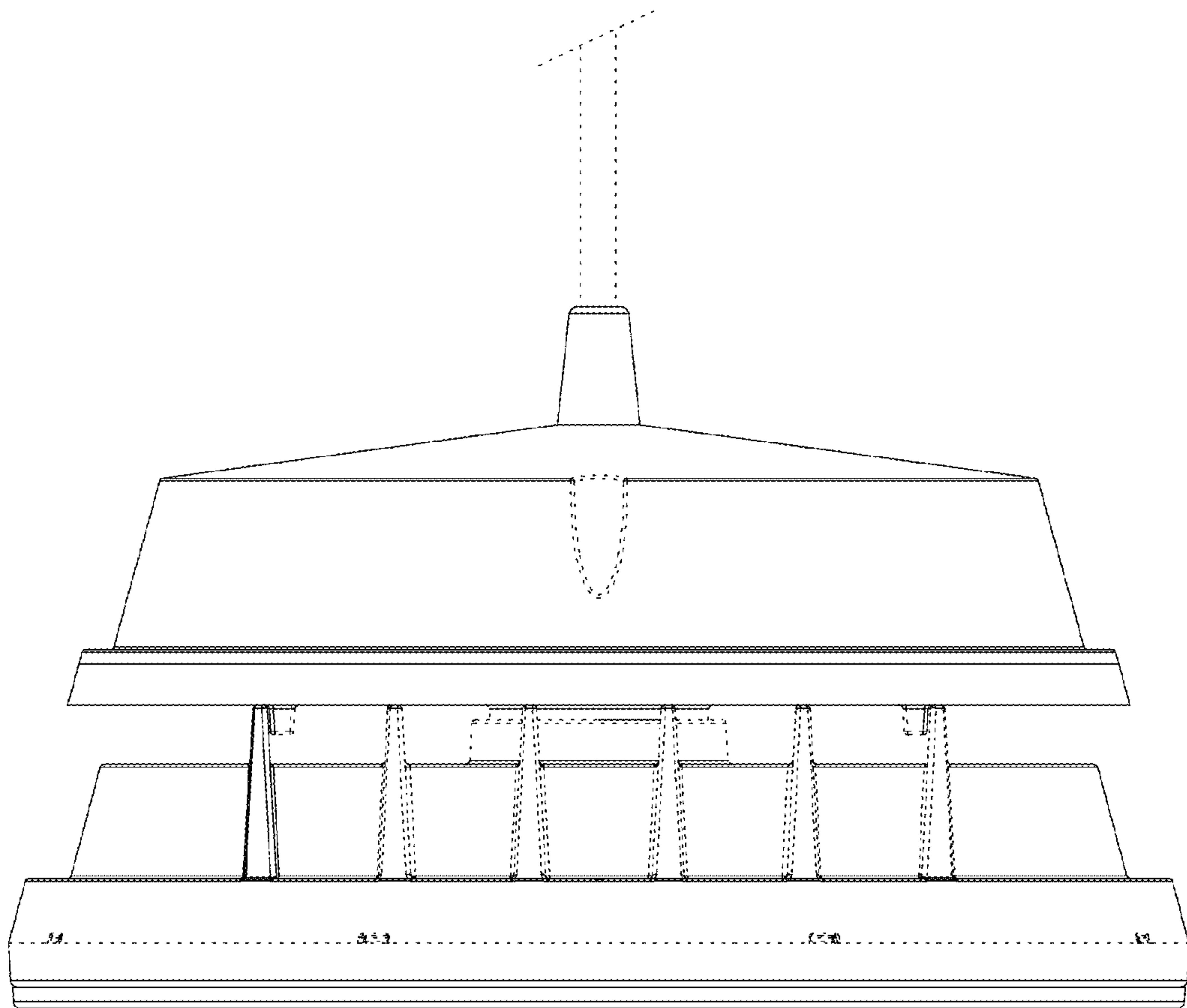


FIG. 6

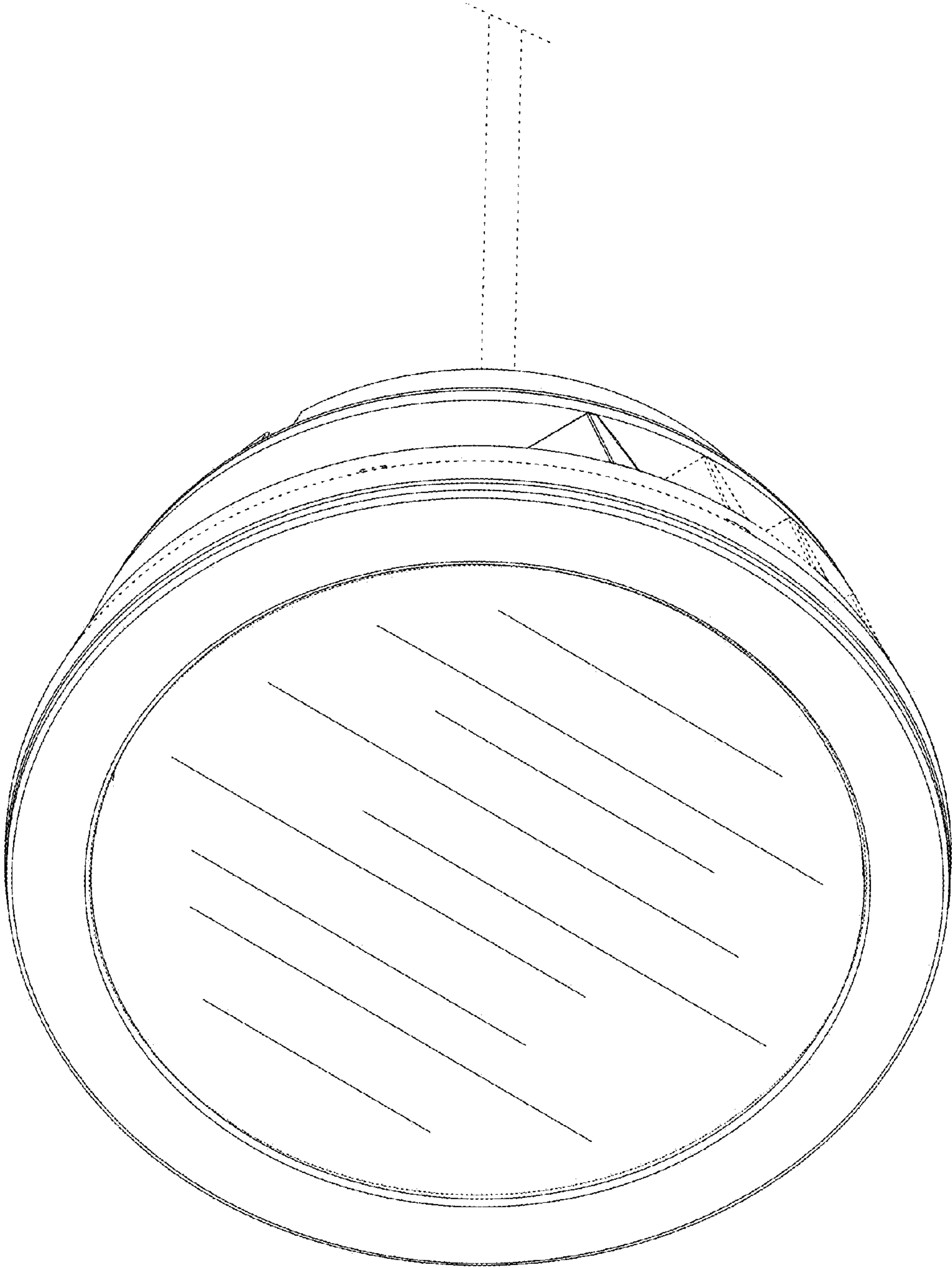


FIG. 7

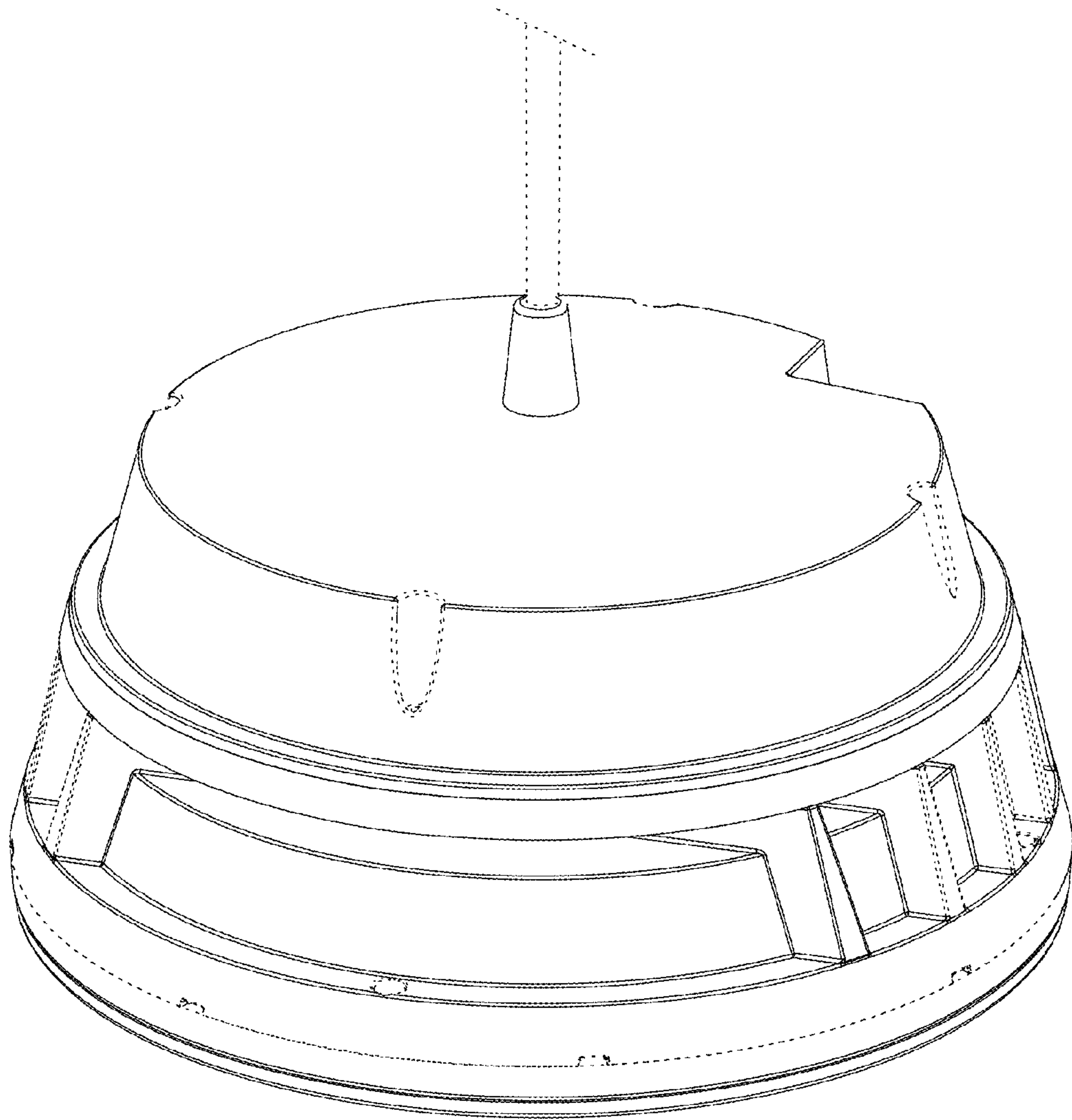


FIG. 8

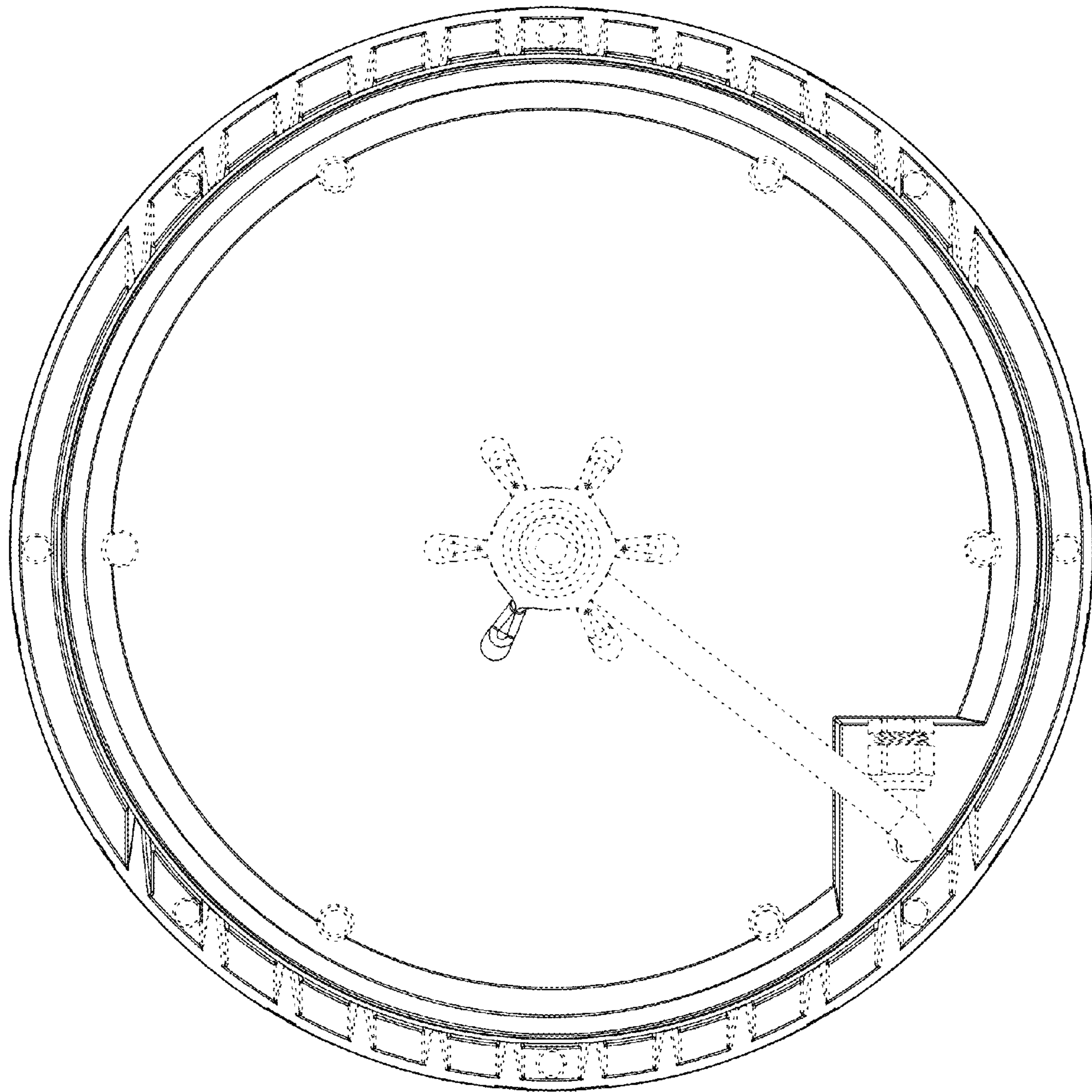


FIG. 9

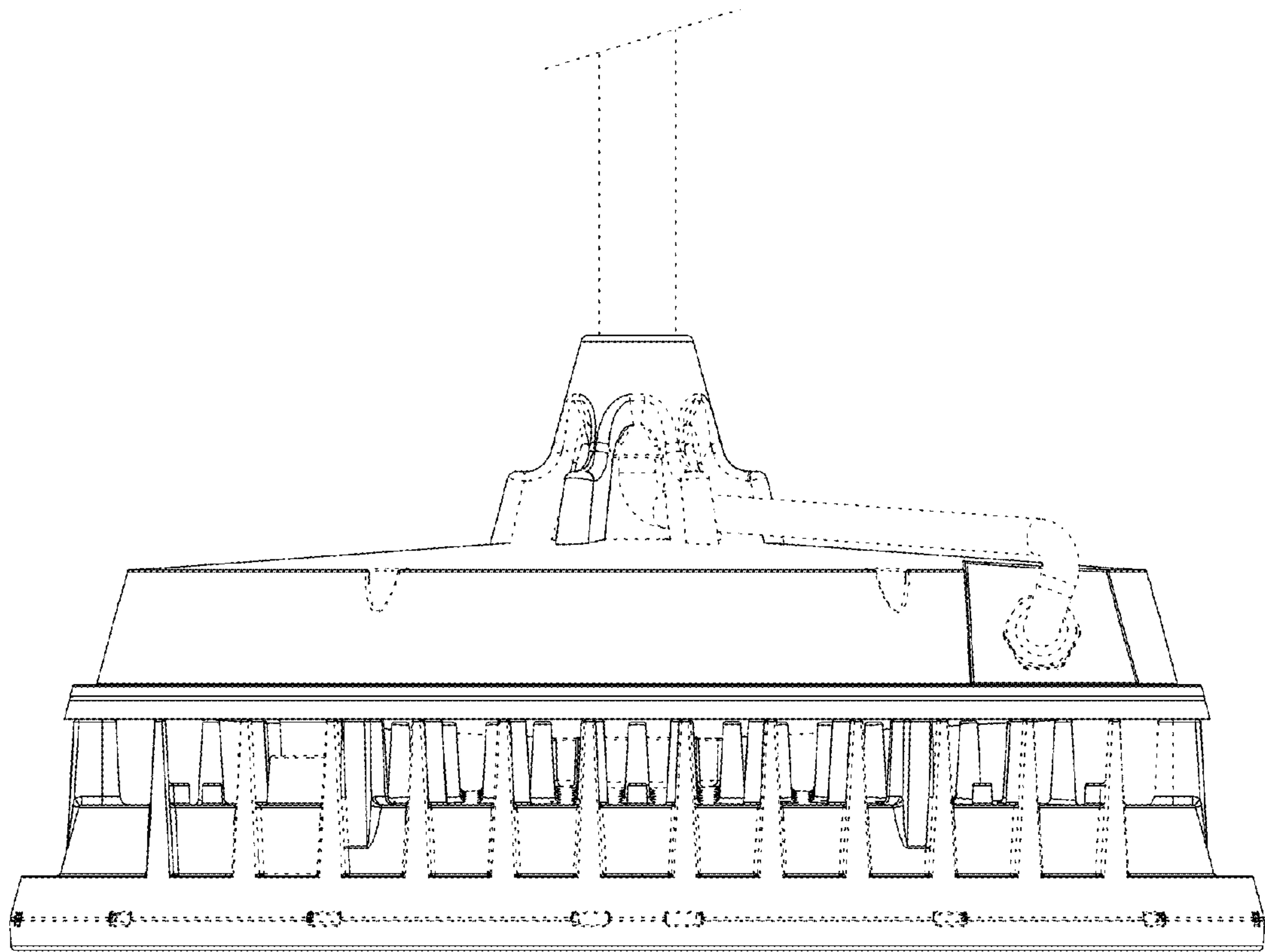


FIG. 10

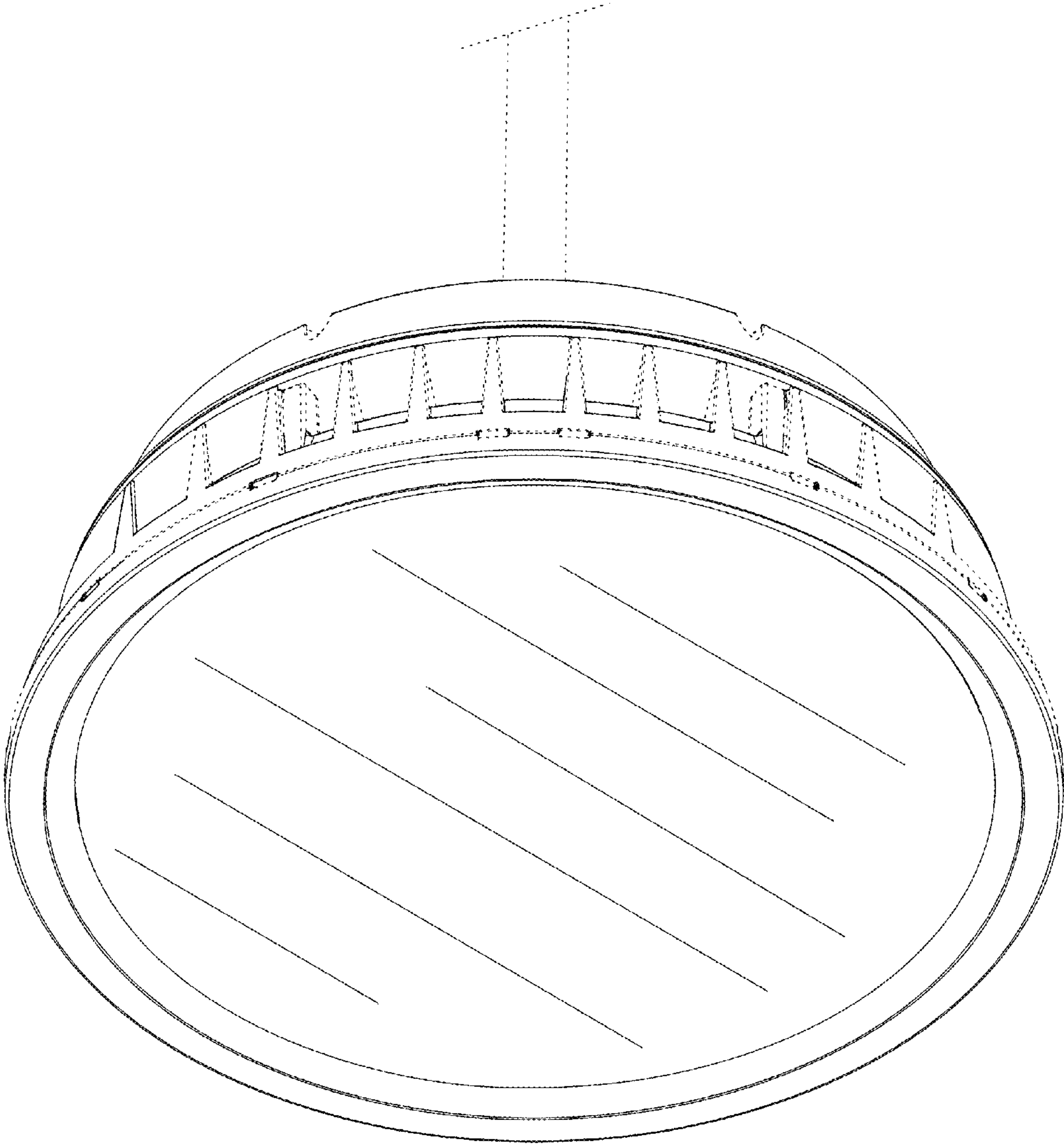


FIG. 11

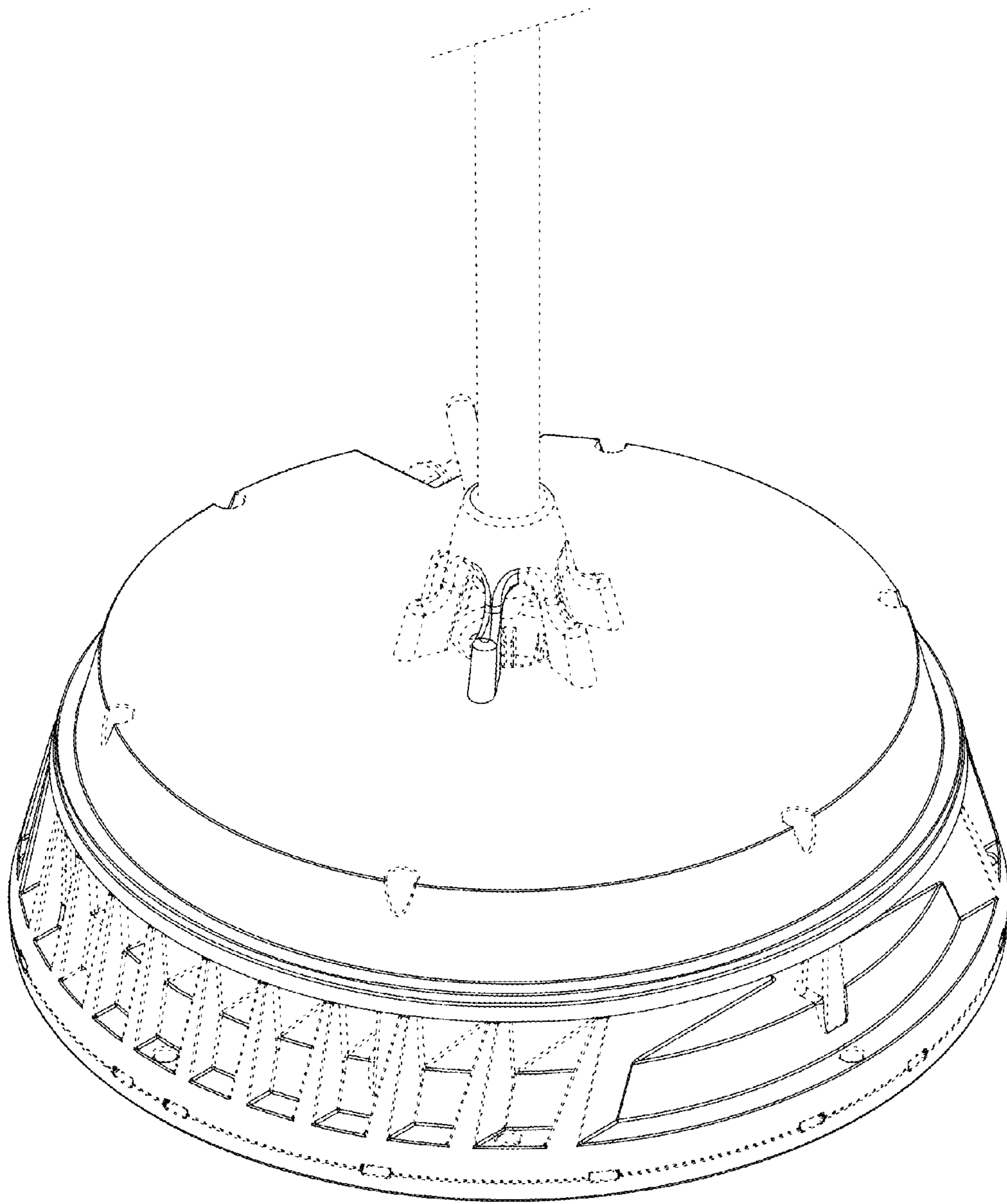


FIG. 12