



US00D728848S

(12) **United States Design Patent**
Reyes

(10) **Patent No.:** **US D728,848 S**

(45) **Date of Patent:** **** May 5, 2015**

(54) **LIGHTING DIFFUSER**

(71) Applicant: **Jaime A. Reyes**, Miami Lakes, FL (US)

(72) Inventor: **Jaime A. Reyes**, Miami Lakes, FL (US)

(**) Term: **14 Years**

(21) Appl. No.: **29/490,948**

(22) Filed: **May 15, 2014**

(51) **LOC (10) Cl.** **26-99**

(52) **U.S. Cl.**
USPC **D26/118**

(58) **Field of Classification Search**
CPC F21S 8/00; F21S 8/04; F21V 7/00;
F21V 7/0008; F21V 7/005
USPC D26/113, 118, 119, 120, 121, 122, 145,
D26/142, 143, 128, 138
See application file for complete search history.

(56) **References Cited**

U.S. PATENT DOCUMENTS

D85,382 S *	10/1931	Guth	D26/24
D122,586 S *	9/1940	Koegel	D26/78
D123,761 S *	12/1940	Pieper	D26/24
D130,570 S *	12/1941	Borkland	D26/76
2,356,654 A *	8/1944	Cullman	362/223
D186,129 S *	9/1959	Spaulding	D26/76
D316,613 S *	4/1991	Stein	D26/122
D321,407 S *	11/1991	Heidmann	D26/72
D349,358 S *	8/1994	Herst et al.	D26/85
5,357,413 A *	10/1994	Mandall	362/300
D364,478 S *	11/1995	Pesau	D26/76
D466,244 S *	11/2002	Lewis et al.	D26/76
6,523,974 B2 *	2/2003	Engel	362/224
D483,510 S *	12/2003	Fritze et al.	D26/75
D561,930 S *	2/2008	Hukle et al.	D26/120
D569,026 S *	5/2008	Silver	D26/76
D595,894 S *	7/2009	Verfuert et al.	D26/122

D605,341 S *	12/2009	Chung et al.	D26/118
D611,183 S *	3/2010	Duarte	D26/76
D612,088 S *	3/2010	Wassel et al.	D26/76
D633,247 S *	2/2011	Kong et al.	D26/88
D637,341 S *	5/2011	Wardenburg	D26/118
D650,508 S *	12/2011	Wassel et al.	D26/76
D665,119 S *	8/2012	Bryant	D26/122
D667,156 S *	9/2012	Pickard et al.	D26/74
D667,983 S *	9/2012	Pickard et al.	D26/74
D669,204 S *	10/2012	Snell et al.	D26/76
D670,849 S *	11/2012	Lay et al.	D26/74
D673,711 S *	1/2013	Pickard et al.	D26/74
D679,848 S *	4/2013	Pickard et al.	D26/74
D685,122 S *	6/2013	Kim et al.	D26/74
D695,447 S *	12/2013	Speier et al.	D26/118
D698,975 S *	2/2014	Blessitt et al.	D26/74
D699,386 S *	2/2014	Park et al.	D26/118
D705,474 S *	5/2014	Philips	D26/76
D706,485 S *	6/2014	Waldmann	D26/138
2007/0211457 A1 *	9/2007	Mayfield et al.	362/223
2013/0021792 A1 *	1/2013	Snell et al.	362/218

* cited by examiner

Primary Examiner — Kevin Rudzinski

(74) *Attorney, Agent, or Firm* — Malloy & Malloy, P.L.

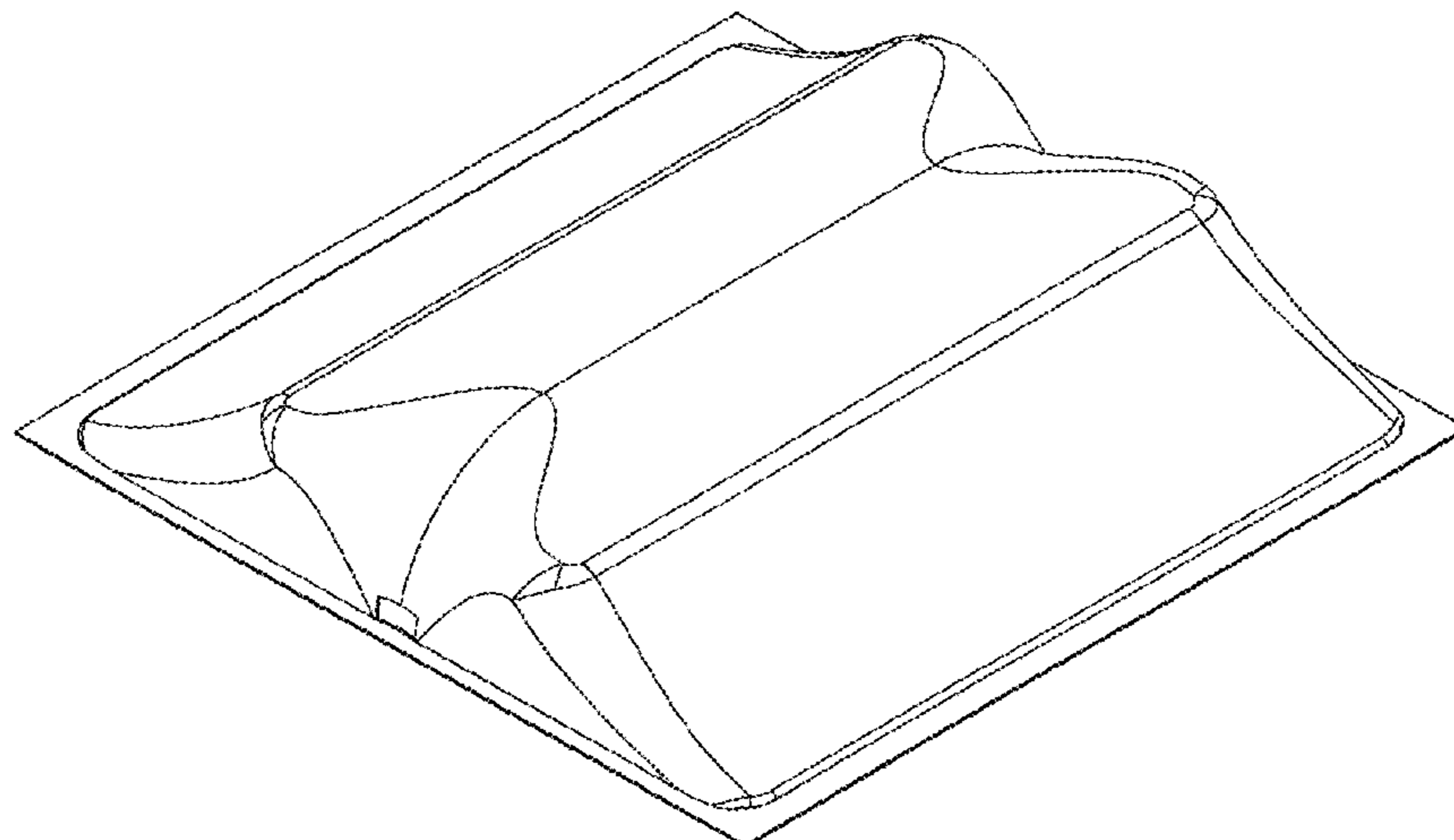
(57) **CLAIM**

The ornamental design for lighting diffuser, as shown and described.

DESCRIPTION

FIG. 1 is a front perspective view illustrating my design for a lighting diffuser;
FIG. 2 is a front view thereof;
FIG. 3 is a rear view thereof;
FIG. 4 is a left side view thereof;
FIG. 5 is a right side view thereof;
FIG. 6 is a bottom view thereof; and,
FIG. 7 is a top view thereof.

1 Claim, 7 Drawing Sheets



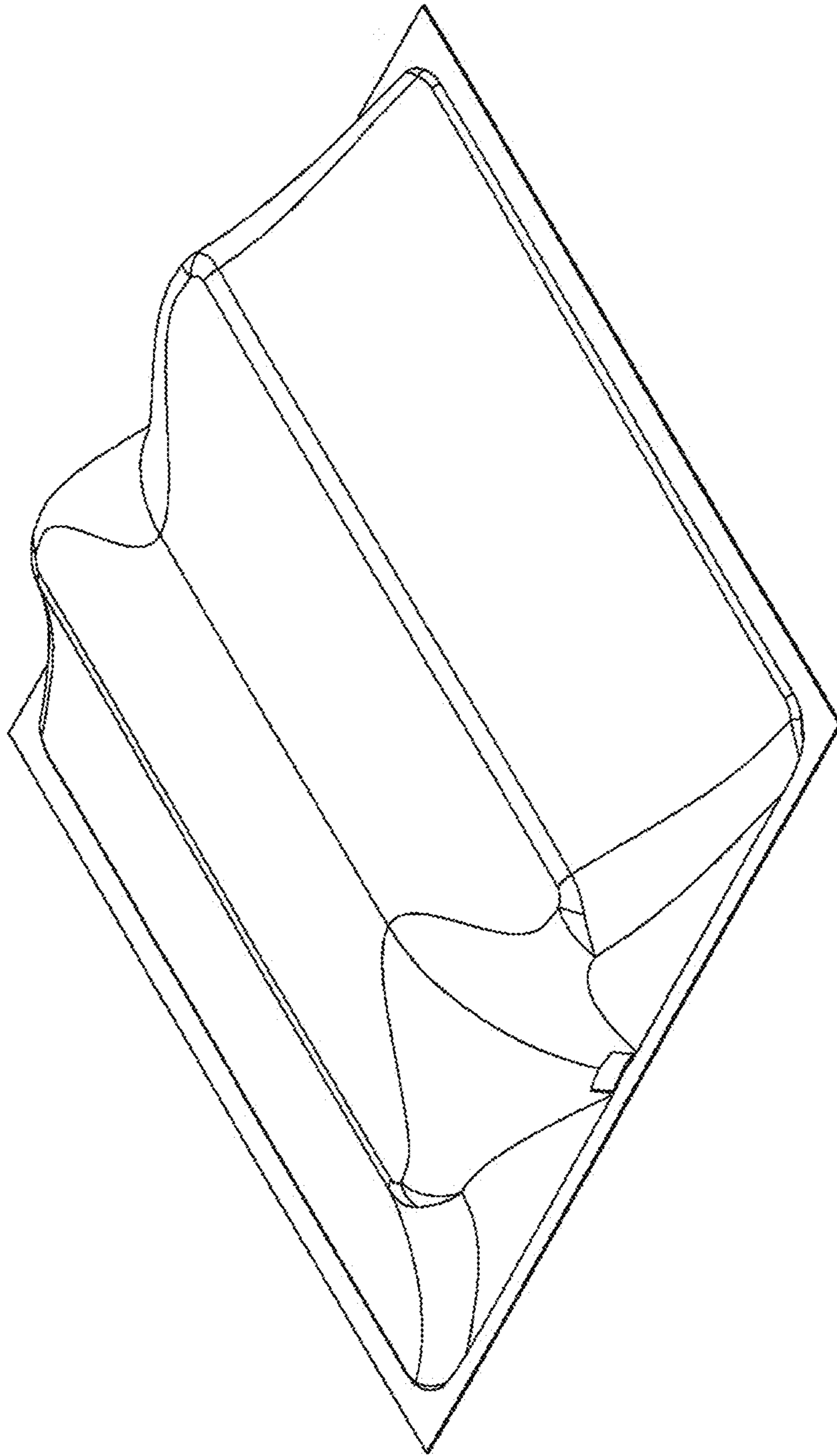


Fig. 1

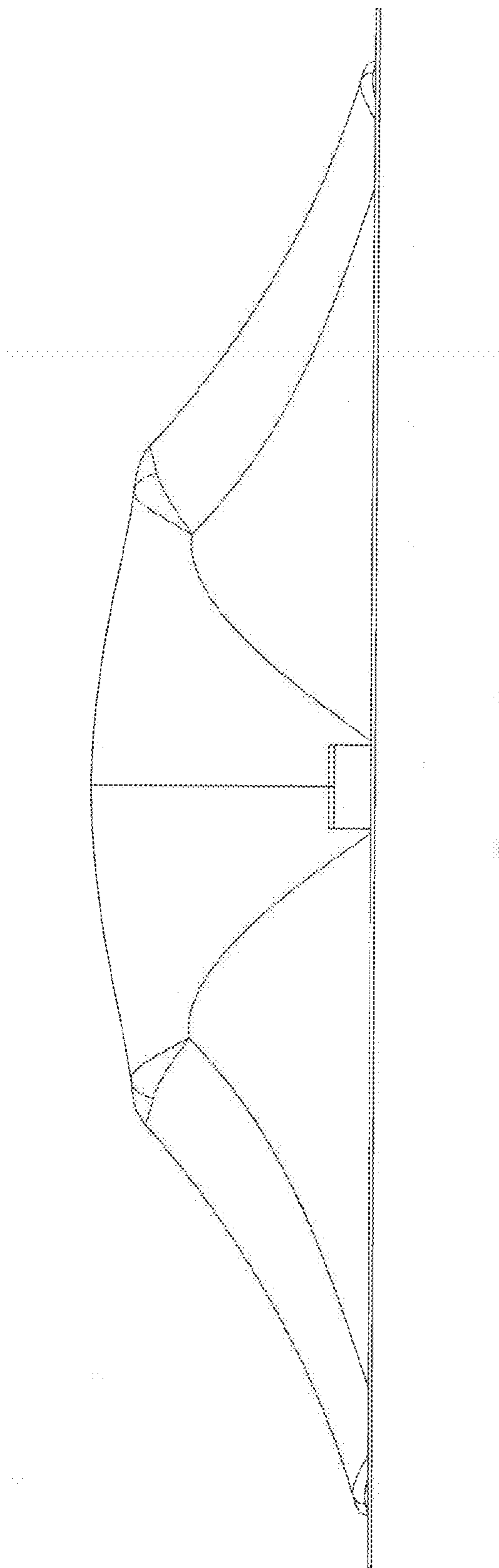


Fig 2

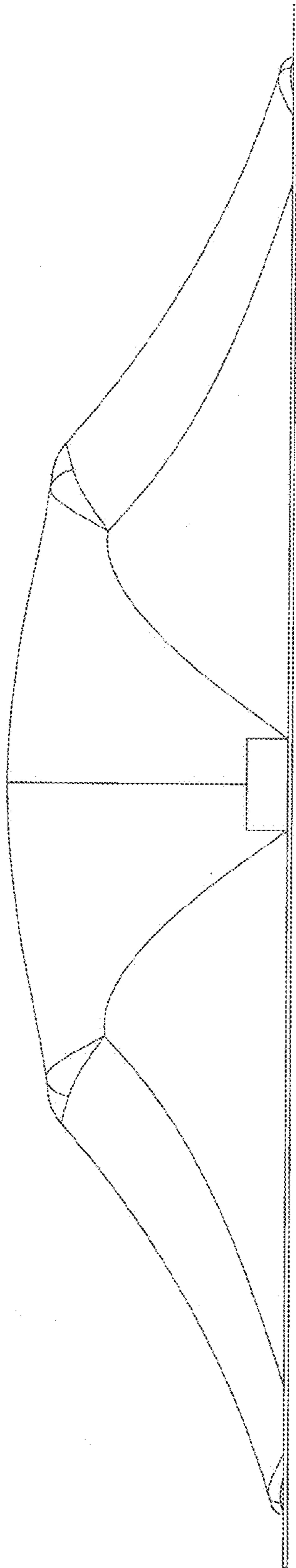


Fig 3

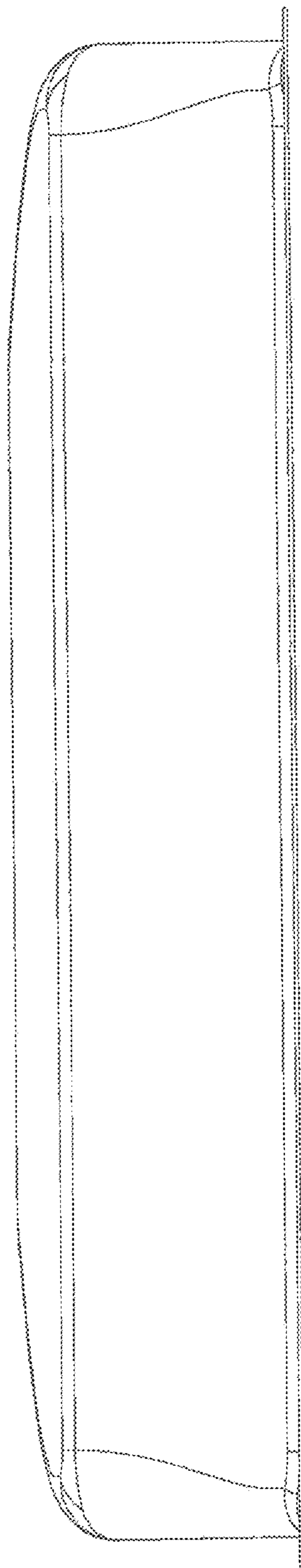


FIG. 4

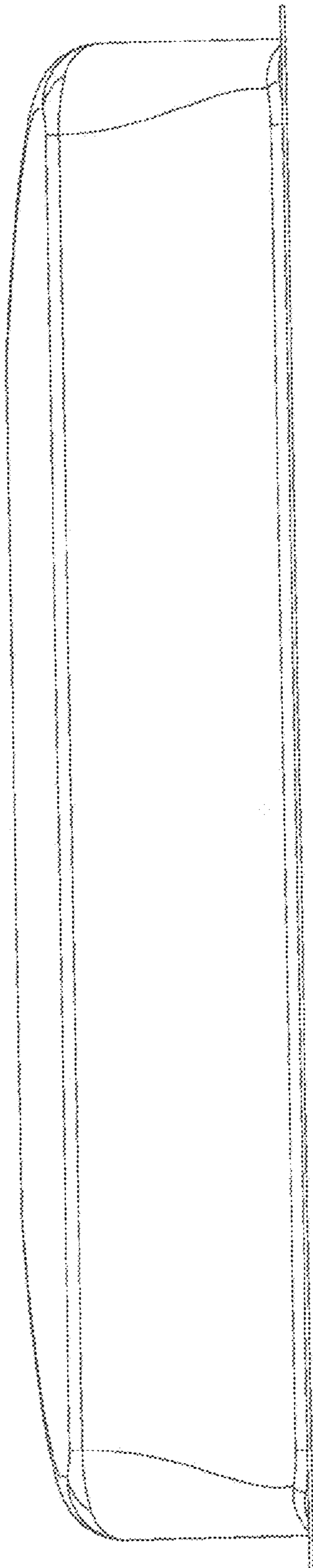


FIG. 5

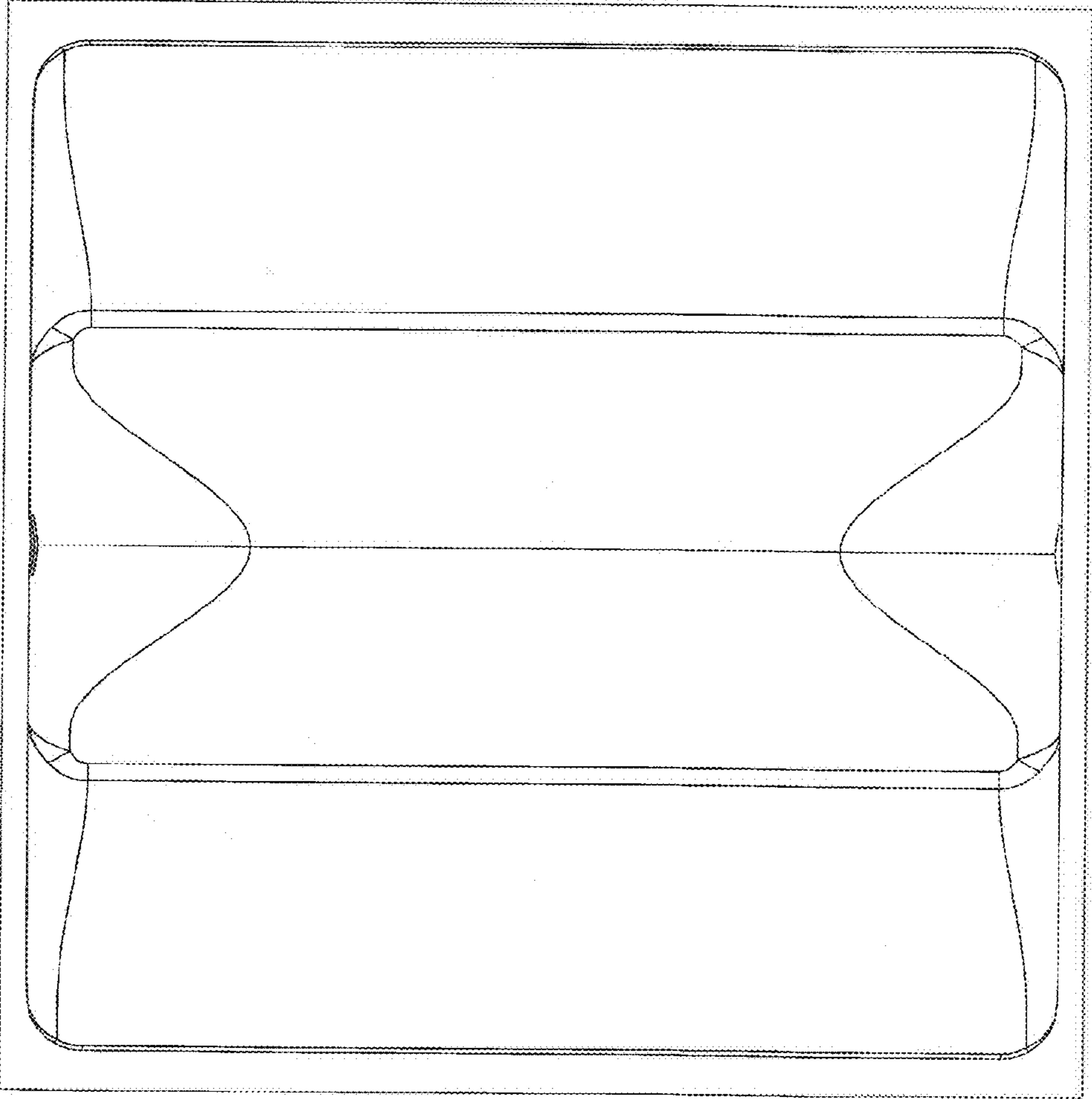


Fig 6

FIG. 7

