



US00D728847S

(12) **United States Design Patent**
Wiedenmann et al.

(10) **Patent No.:** **US D728,847 S**
(45) **Date of Patent:** **** May 5, 2015**

(54) **ADJUSTABLE FLOOR LAMP AND MOUNTED, REMOVABLE REMOTE CONTROL**

(71) Applicants: **Nathan W. Wiedenmann**, Eugene, OR (US); **Michael D. McCormick**, Eugene, OR (US)

(72) Inventors: **Nathan W. Wiedenmann**, Eugene, OR (US); **Michael D. McCormick**, Eugene, OR (US)

(73) Assignee: **Stella Lighting Inc.**

(**) Term: **14 Years**

(21) Appl. No.: **29/448,775**

(22) Filed: **Mar. 13, 2013**

(51) **LOC (10) Cl.** **26-03**

(52) **U.S. Cl.**
USPC **D26/107**

(58) **Field of Classification Search**
CPC F21S 6/00; F21S 6/002; F21S 6/004; F21S 6/005; F21S 6/006; F21S 8/043; F21S 8/08; F21V 21/14; F21V 21/06; F21V 21/145; F21V 21/15; F21W 2131/30; F21W 2131/20
USPC D26/24, 93, 107, 108
See application file for complete search history.

(56) **References Cited**

U.S. PATENT DOCUMENTS

D411,024 S * 6/1999 Schaak et al. D26/62
D595,442 S * 6/2009 Chan D26/61
D689,237 S * 9/2013 Ke D26/107

OTHER PUBLICATIONS

U.S. Appl. No. 29/448,767, filed Mar. 13, 2013, McCormick.
U.S. Appl. No. 29/470,876, filed Oct. 25, 2013, Wiedenmann.
U.S. Appl. No. 29/470,875, filed Oct. 25, 2013, Wiedenmann.

* cited by examiner

Primary Examiner — Brian N Vinson

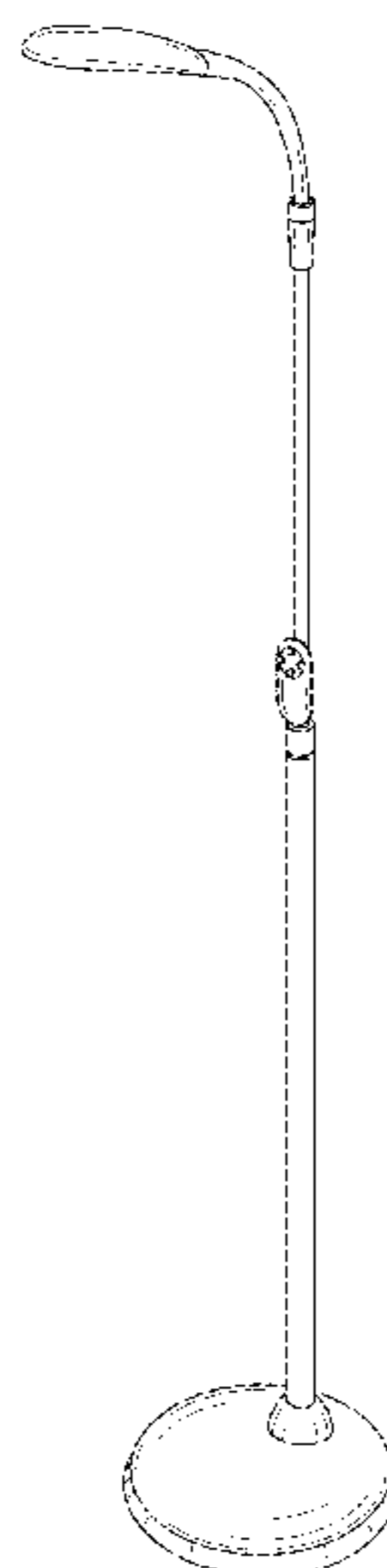
(57) **CLAIM**

The ornamental design for an adjustable floor lamp and a mounted, removable remote control, as shown.

DESCRIPTION

FIG. 1 is a perspective view of an adjustable floor lamp and a mounted, removable remote control.
FIG. 2 is a right side view of the adjustable floor lamp and the mounted, removable remote control.
FIG. 3 is a front view of the adjustable floor lamp and the mounted, removable remote control.
FIG. 4 is a back view of the adjustable floor lamp and the mounted, removable remote control.
FIG. 5 is a left side view of the adjustable floor lamp and the mounted, removable remote control.
FIG. 6 is a top view of the adjustable floor lamp and the mounted, removable remote control.
FIG. 7 is a bottom view of the adjustable floor lamp and the mounted, removable remote control.
FIG. 8 is an enlarged perspective view of the removable remote control mounted on the adjustable floor lamp.
FIG. 9 is an enlarged front view of the removable remote control mounted on the adjustable floor lamp.
FIG. 10 is an enlarged back view of the removable remote control mounted on the adjustable floor lamp.
FIG. 11 is an enlarged bottom view of the removable remote control mounted on the adjustable floor lamp.
FIG. 12 is an enlarged top view of the removable remote control mounted on the adjustable floor lamp.
FIG. 13 is an enlarged right side view of the removable remote control mounted on the adjustable floor lamp.
FIG. 14 is an enlarged left side view of the removable remote control mounted on the adjustable floor lamp.
FIGS. 15 and 16 are perspective views of the adjustable floor lamp and the mounted, removable remote control with the floor lamp adjusted to differing heights.
FIGS. 17 and 18 are perspective views of the adjustable floor lamp and the mounted, removable remote control with the floor lamp adjusted to differing tilt angles.
FIGS. 19 and 20 are perspective views of the adjustable floor lamp and the mounted, removable remote control with the floor lamp adjusted to differing twist angles; and,
FIG. 21 is a perspective view of the adjustable floor lamp and the remote control with the remote control removed from the floor lamp.

1 Claim, 10 Drawing Sheets



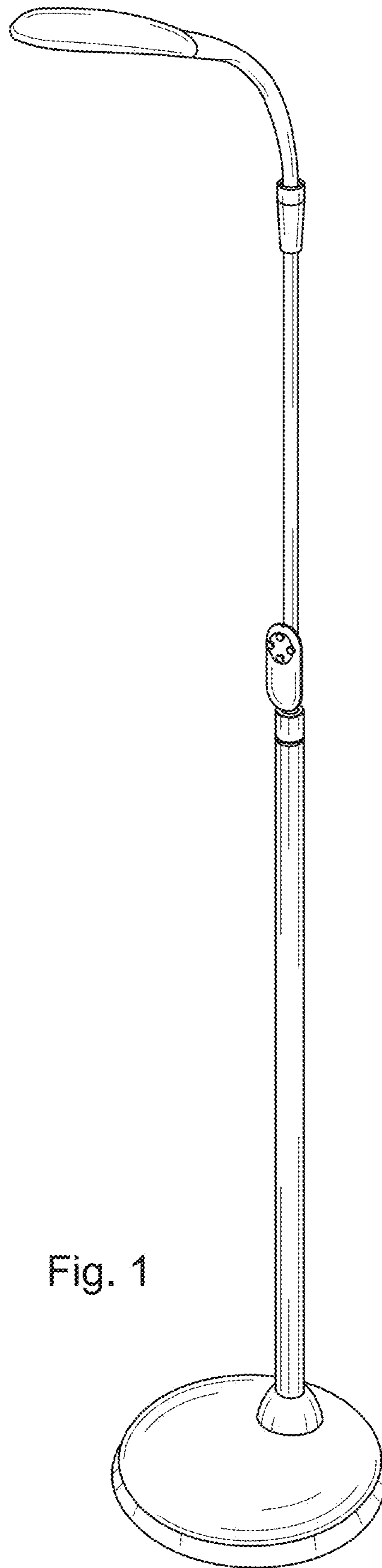


Fig. 1

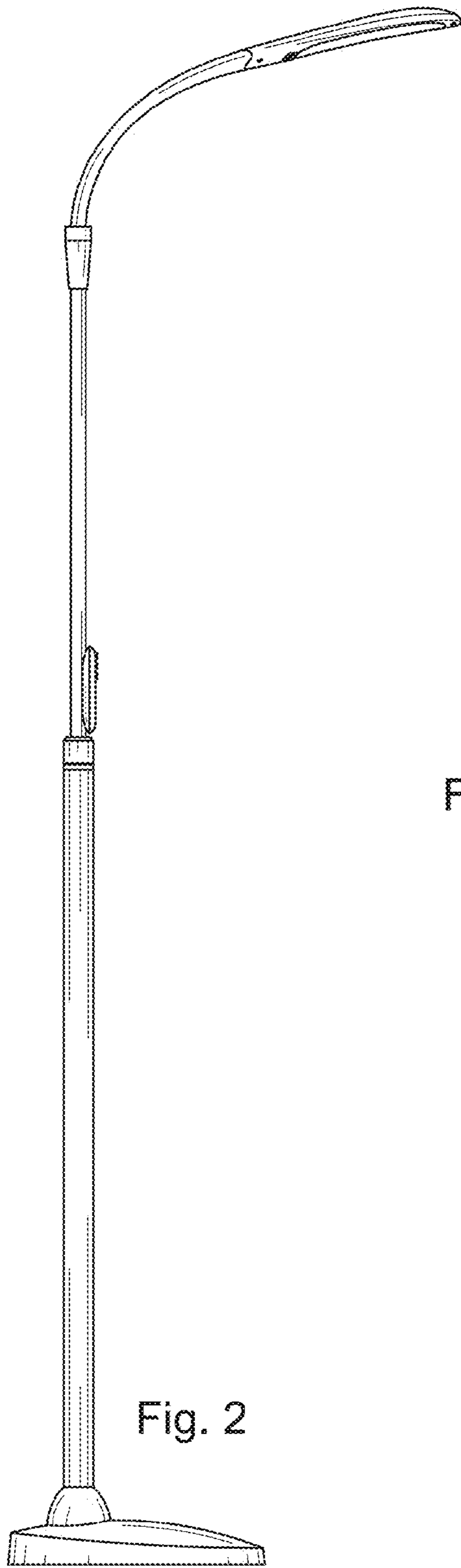


Fig. 3

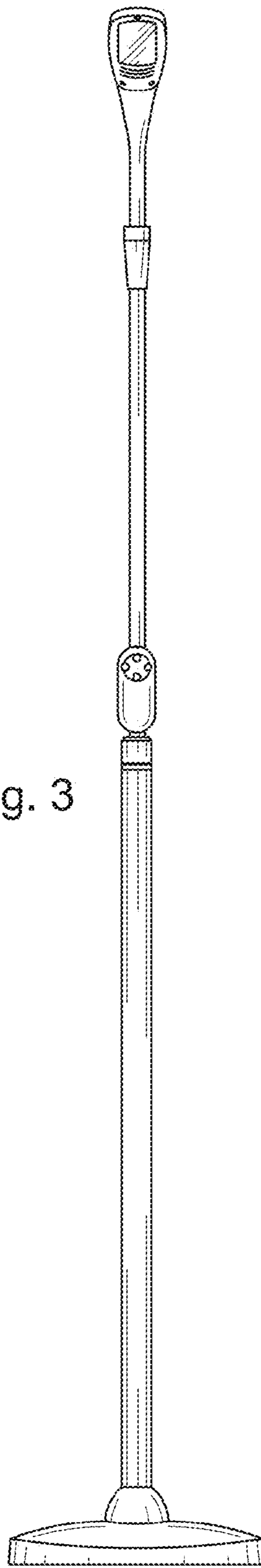
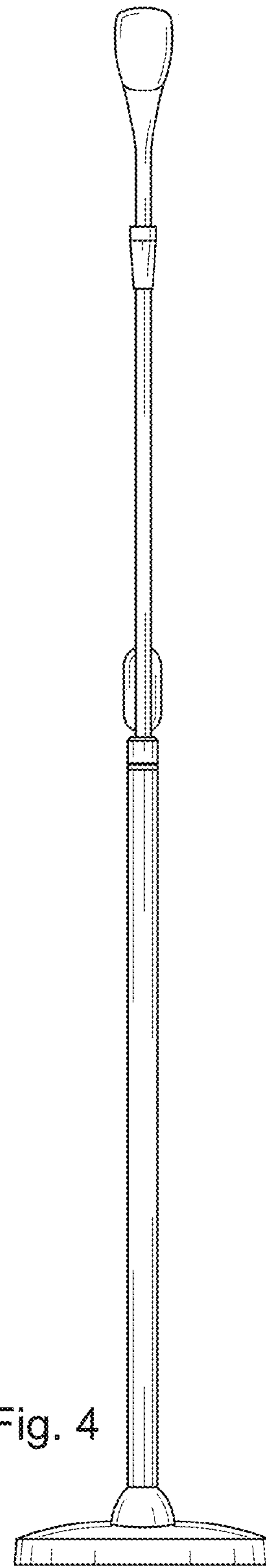


Fig. 4



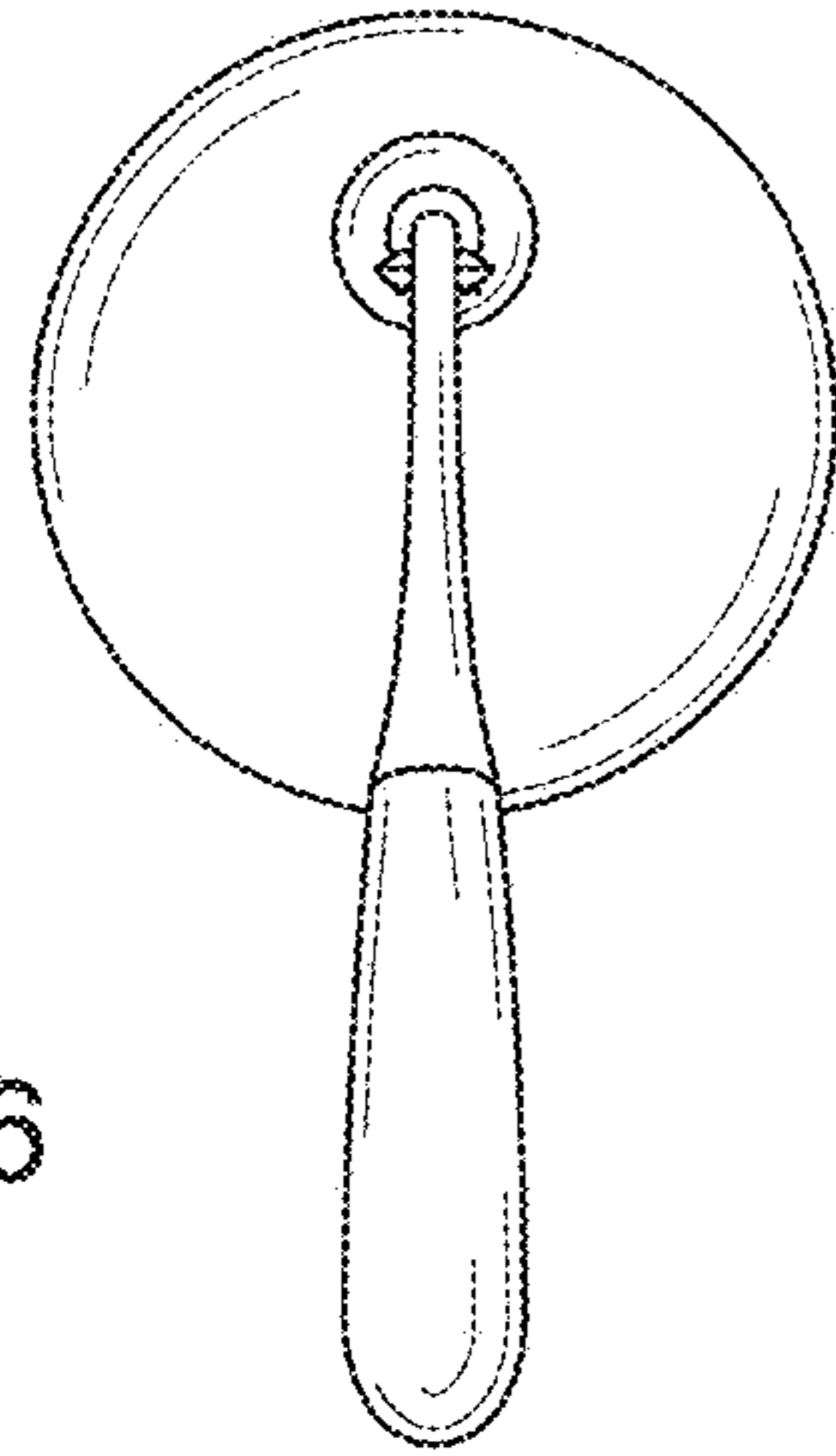


Fig. 6

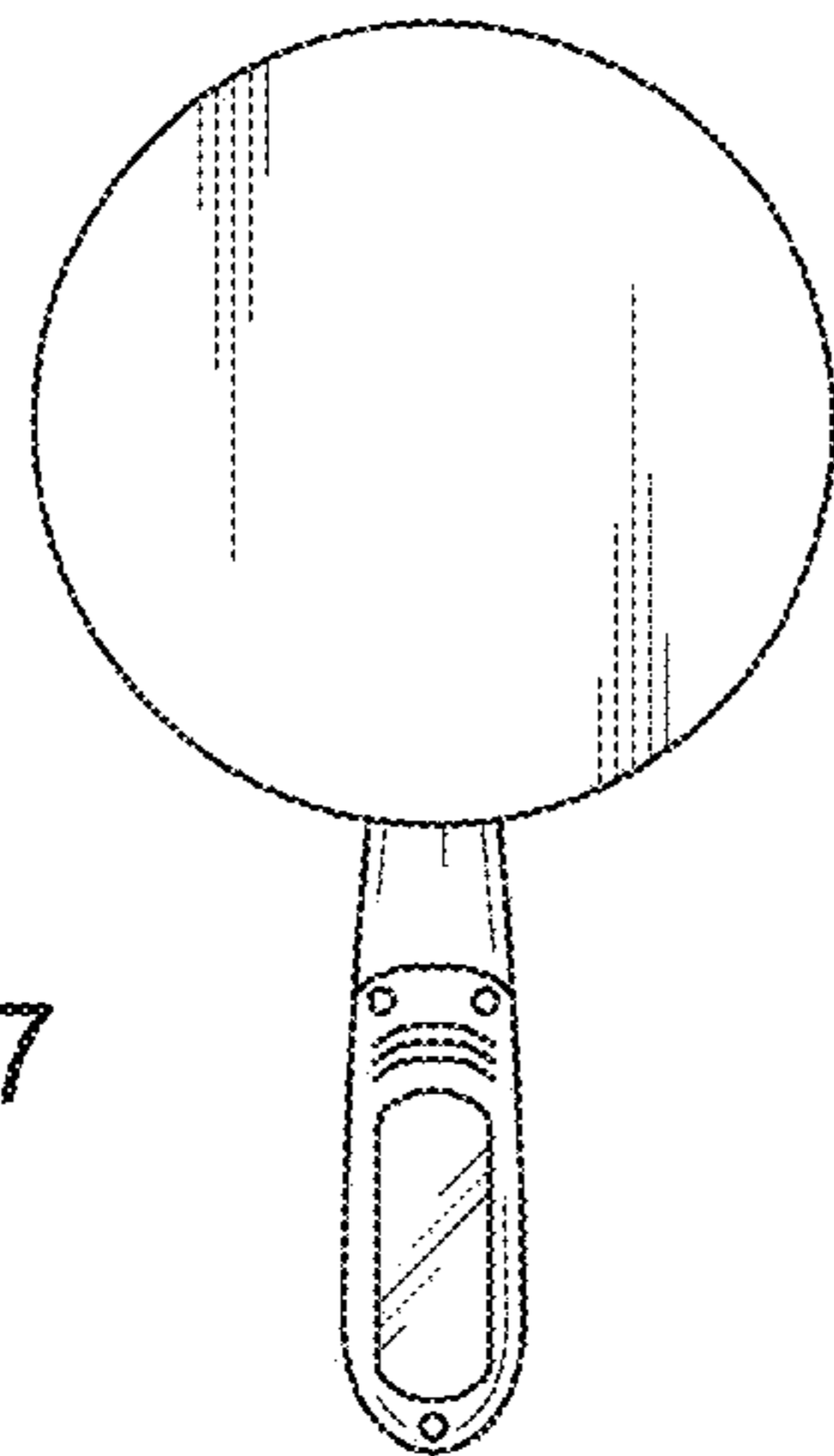


Fig. 7

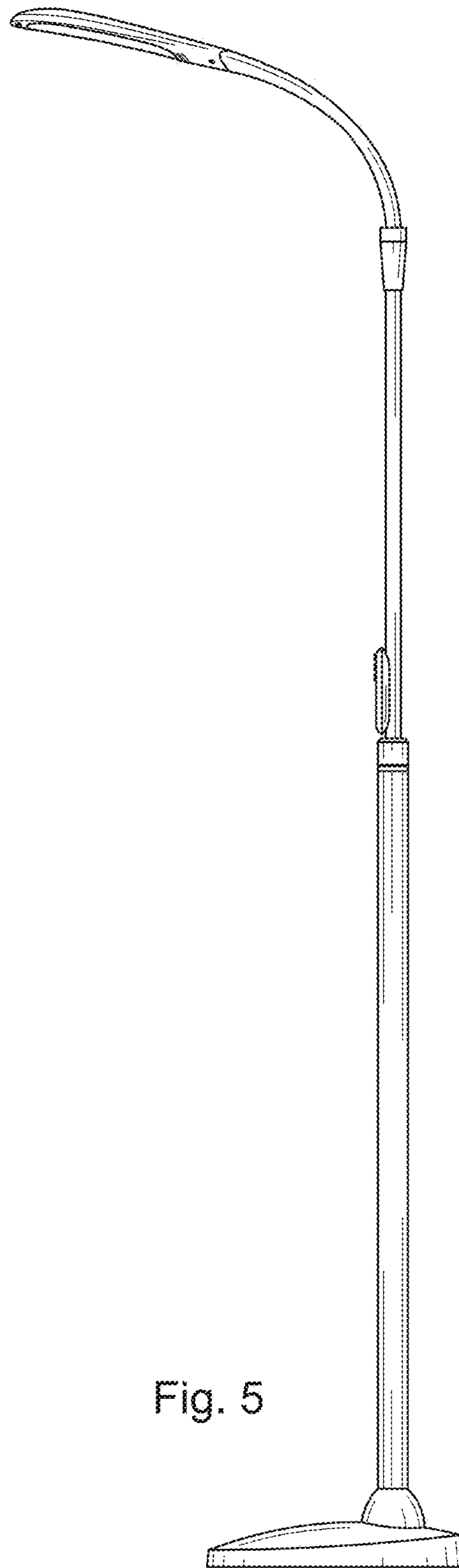


Fig. 5

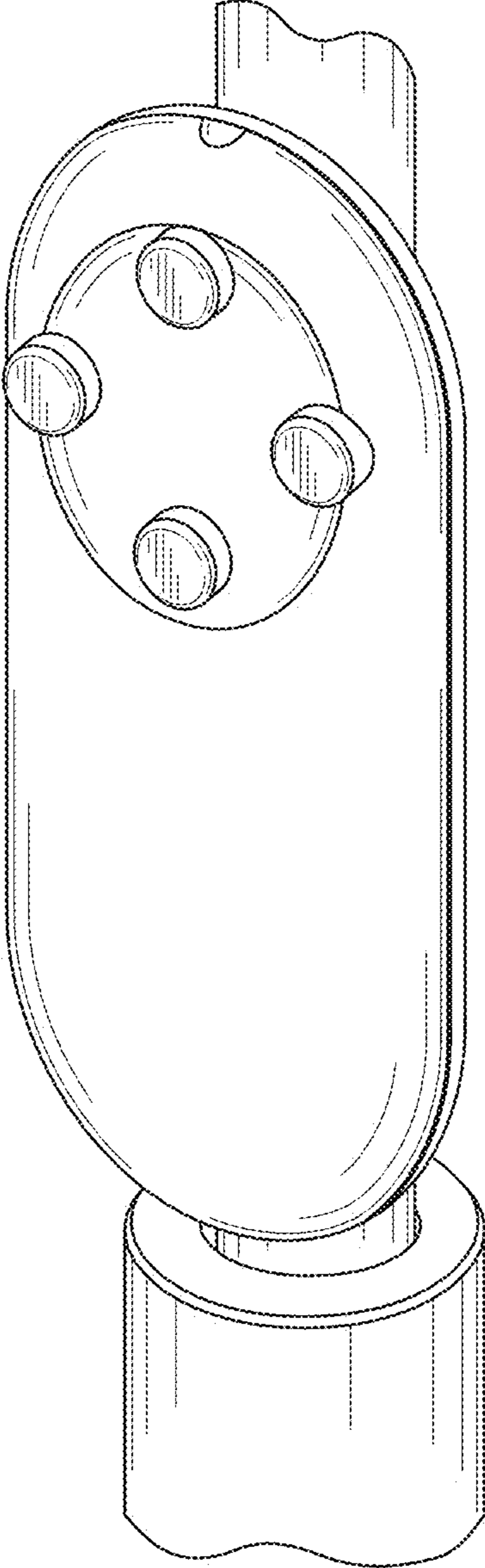


Fig. 8

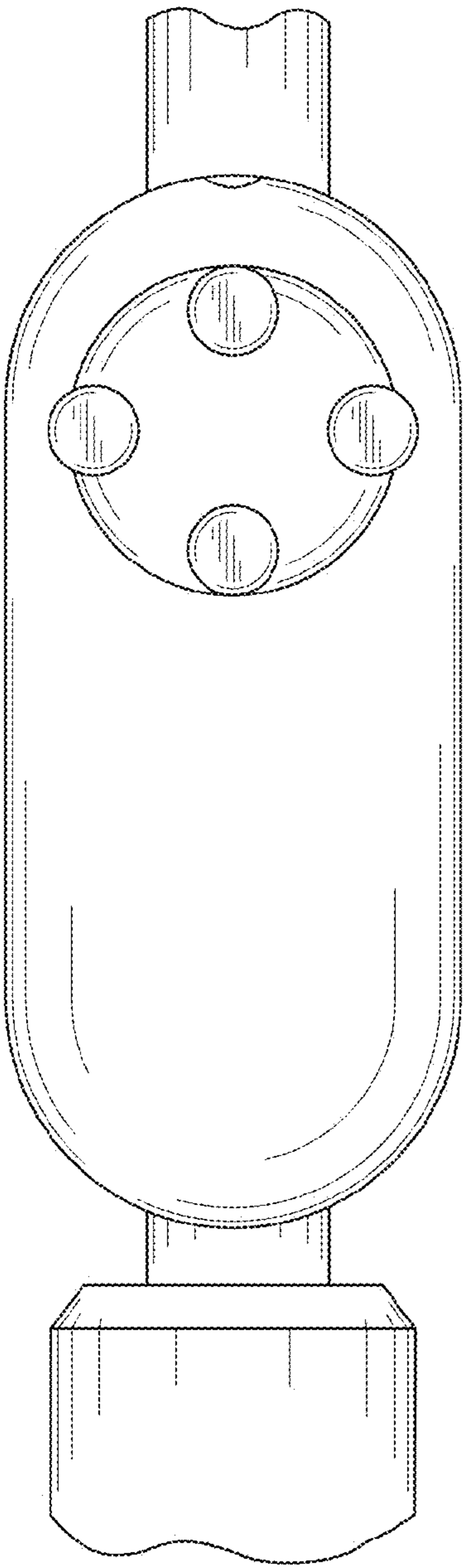


Fig. 9

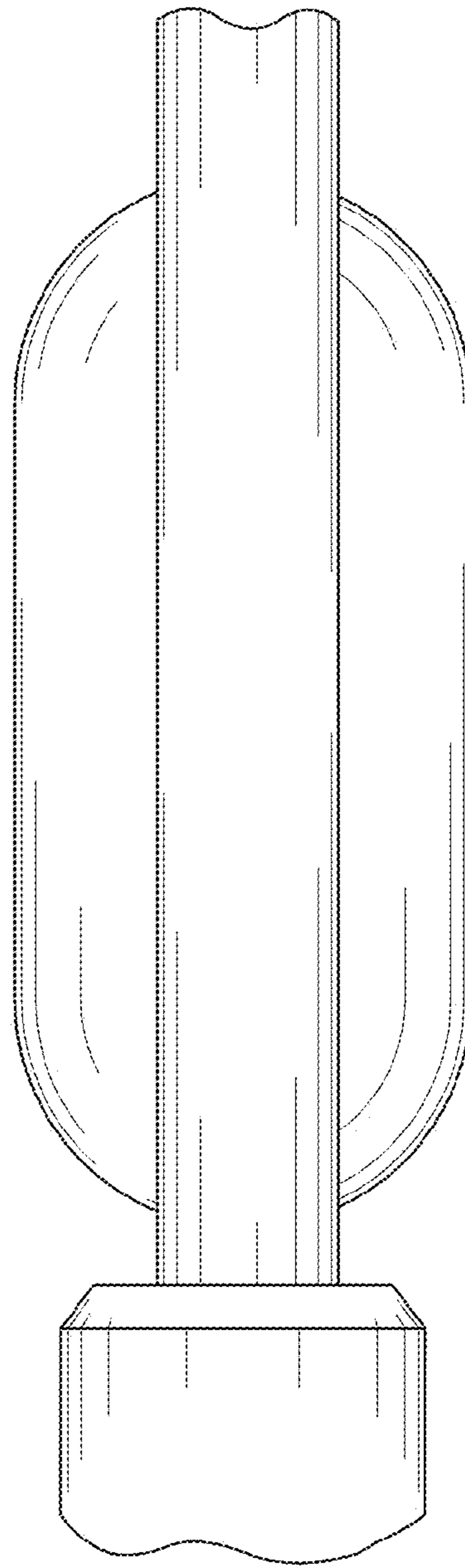


Fig. 10

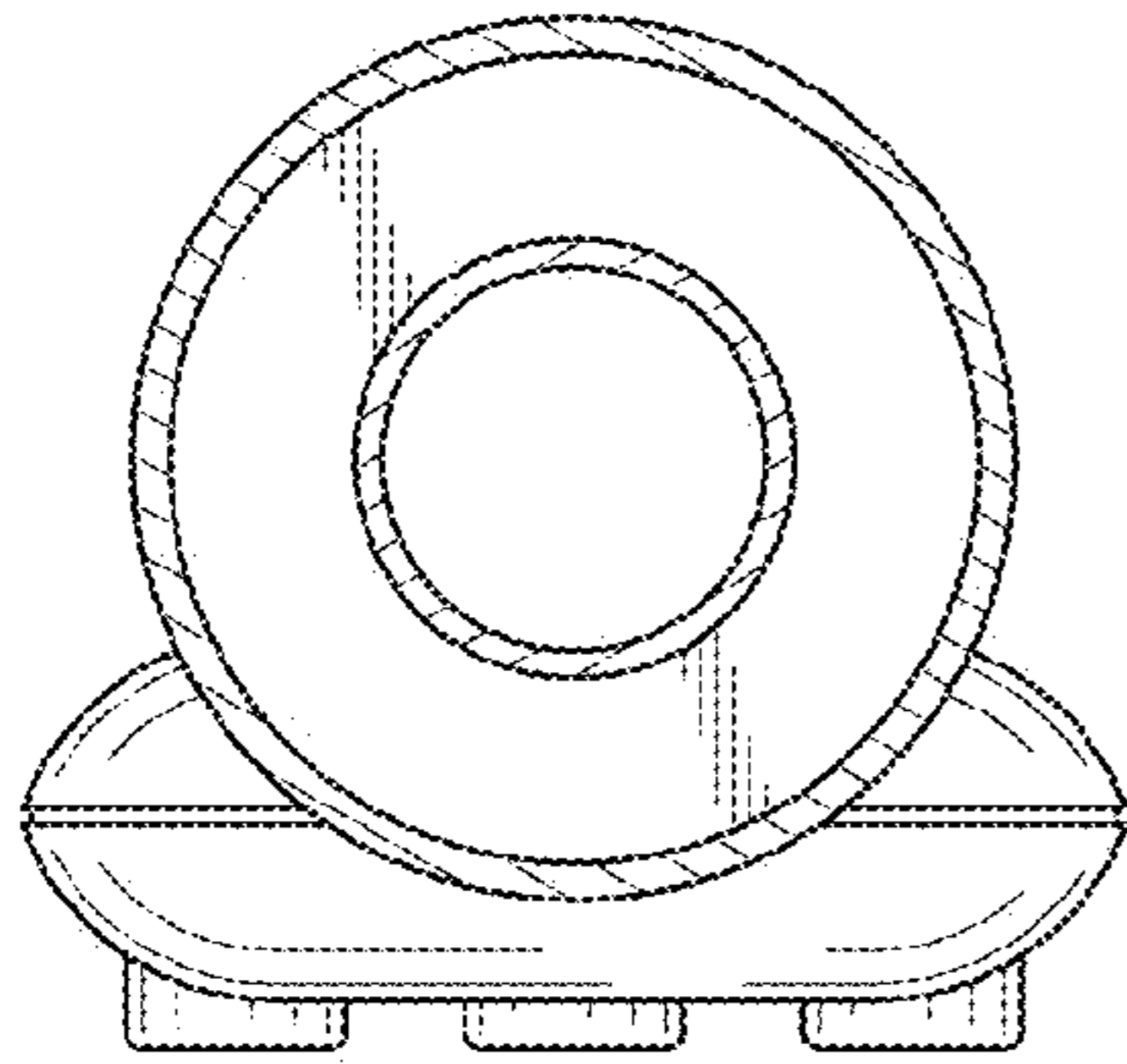


Fig. 11

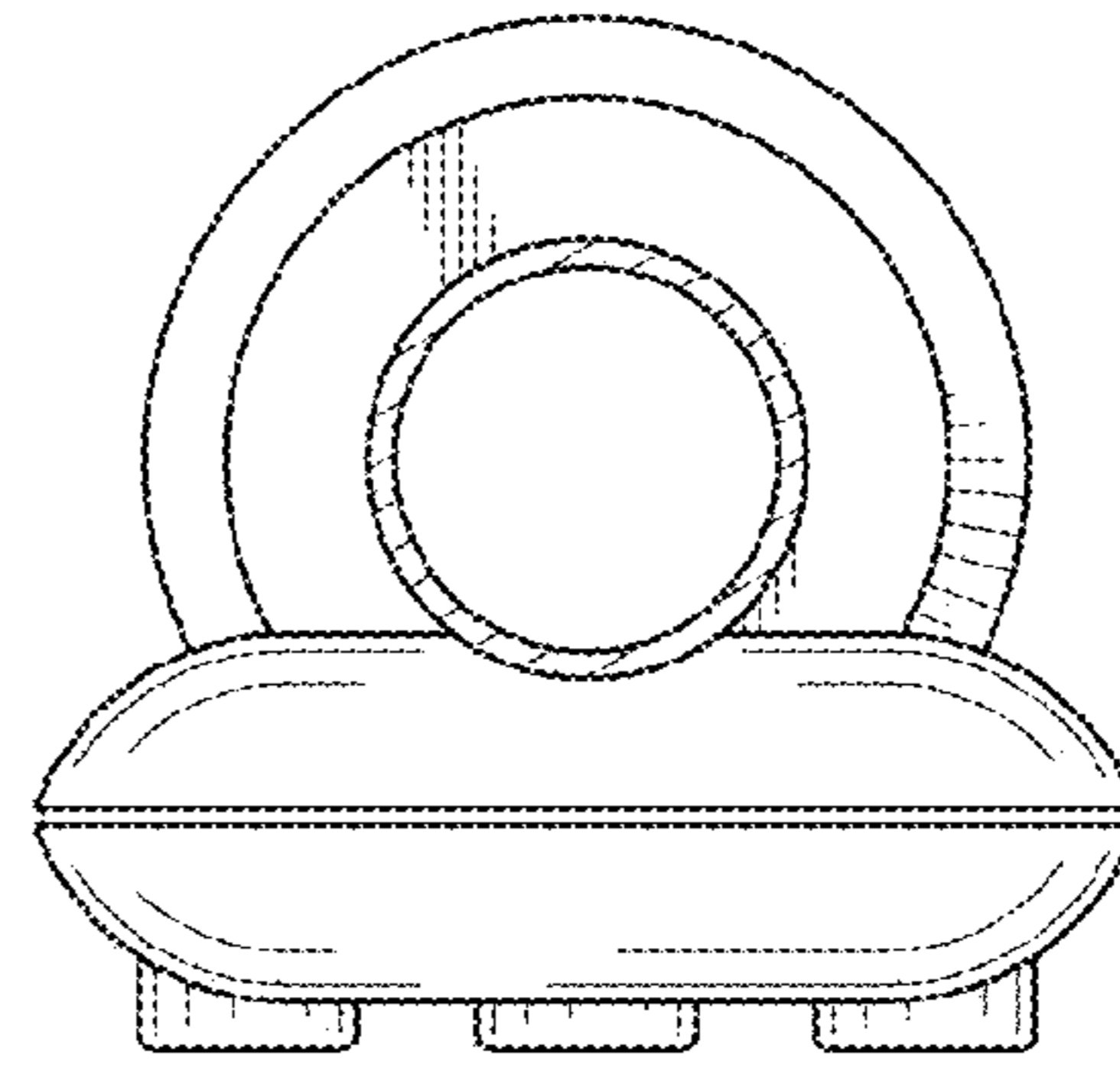


Fig. 12

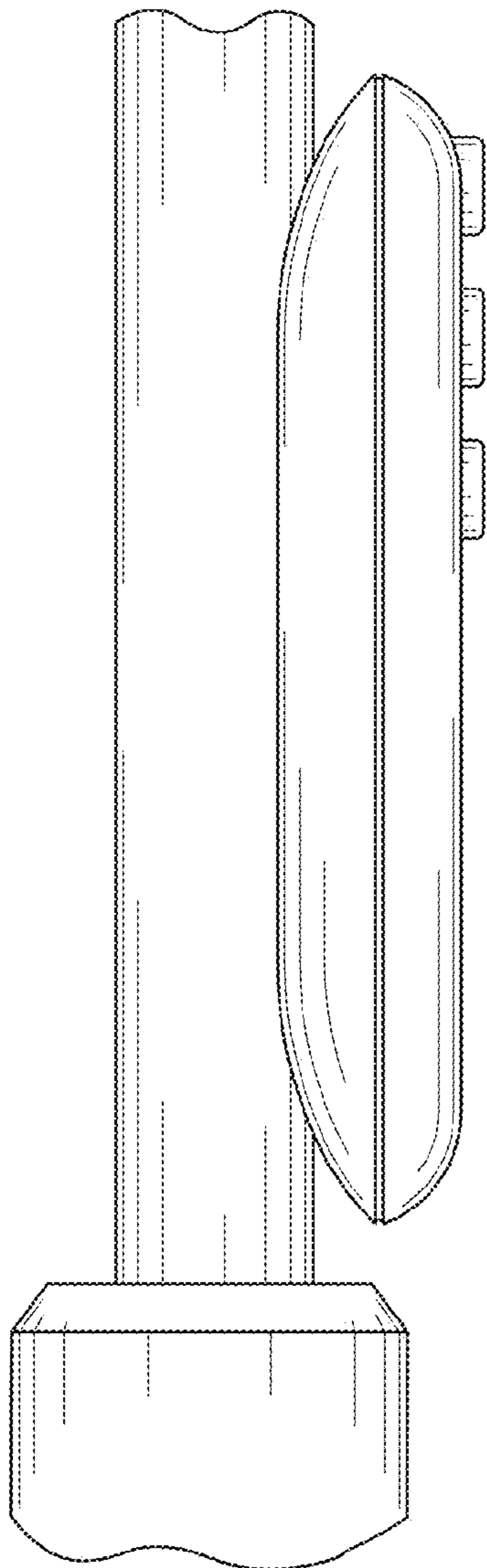


Fig. 13

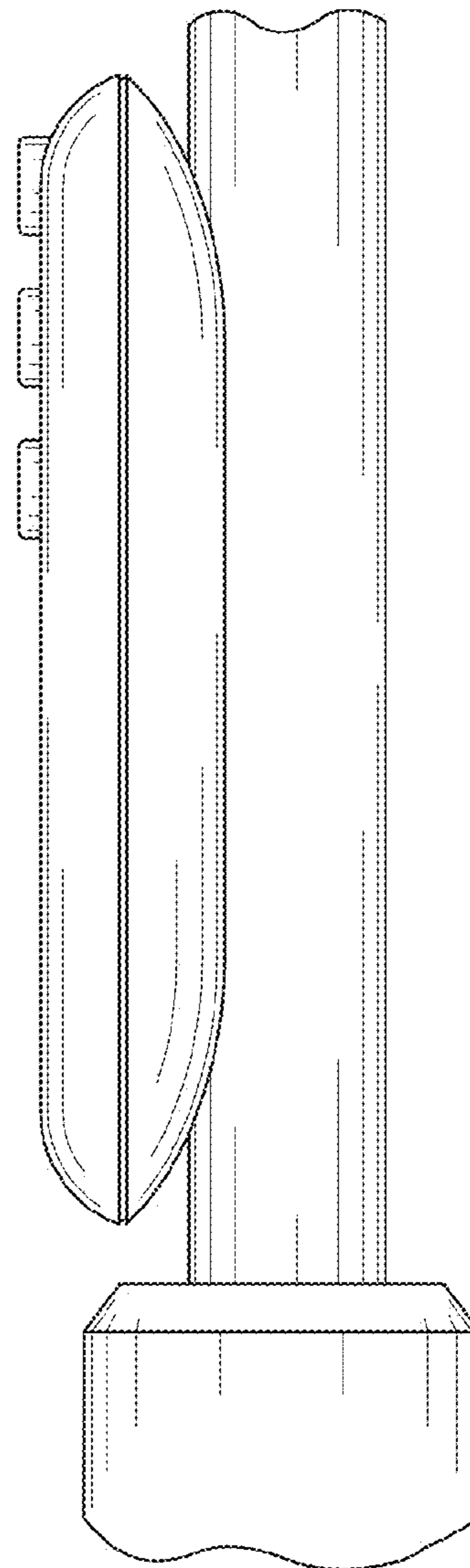


Fig. 14

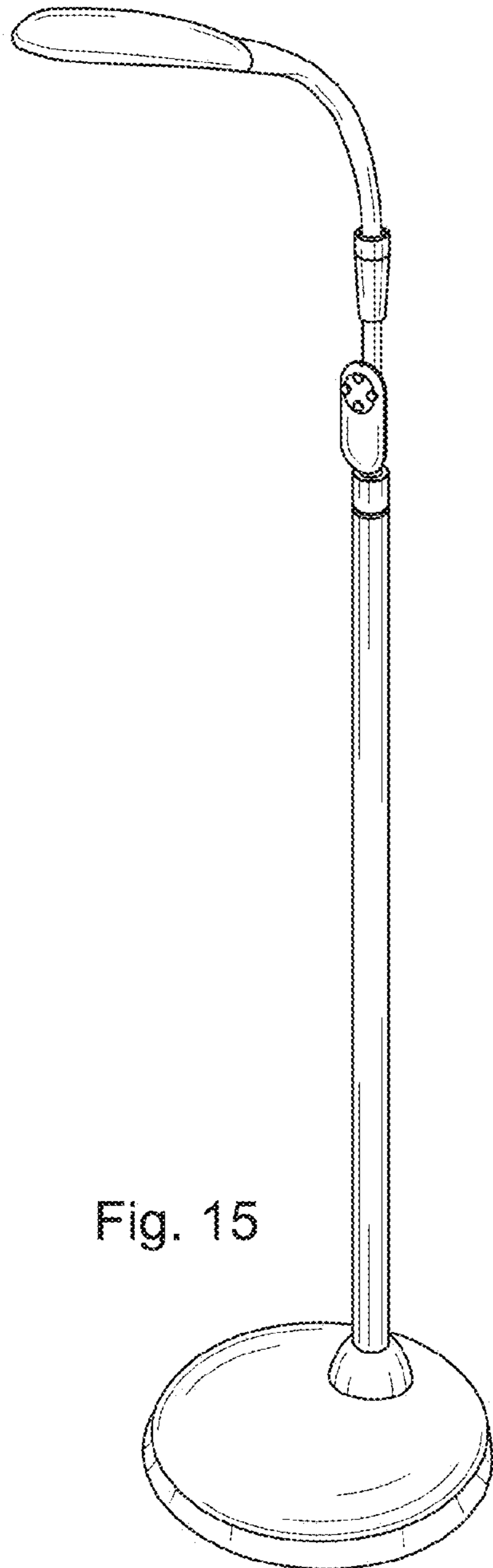


Fig. 15

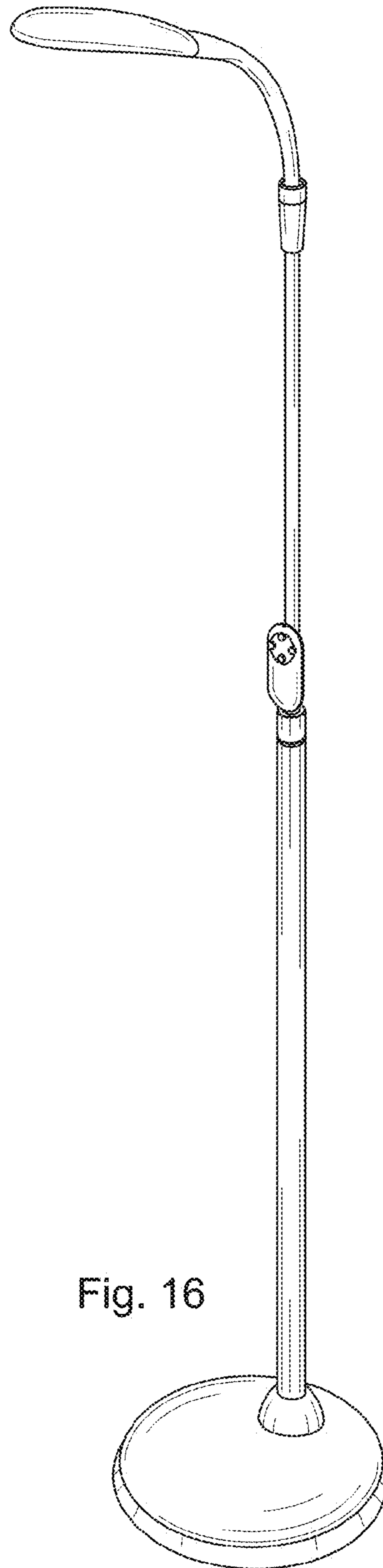


Fig. 16

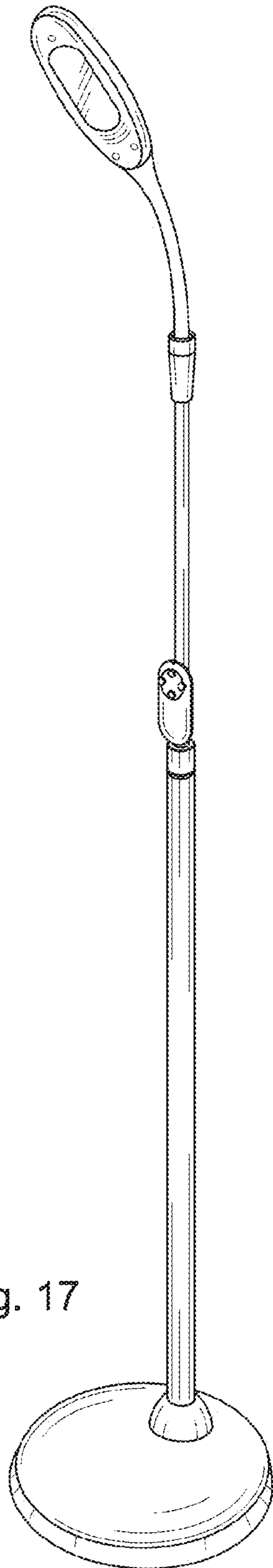


Fig. 17

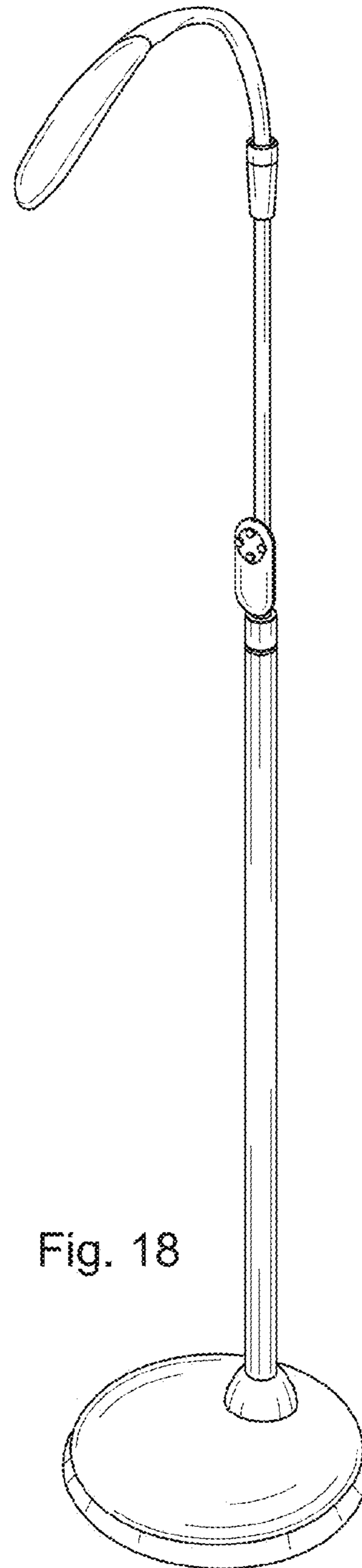


Fig. 18

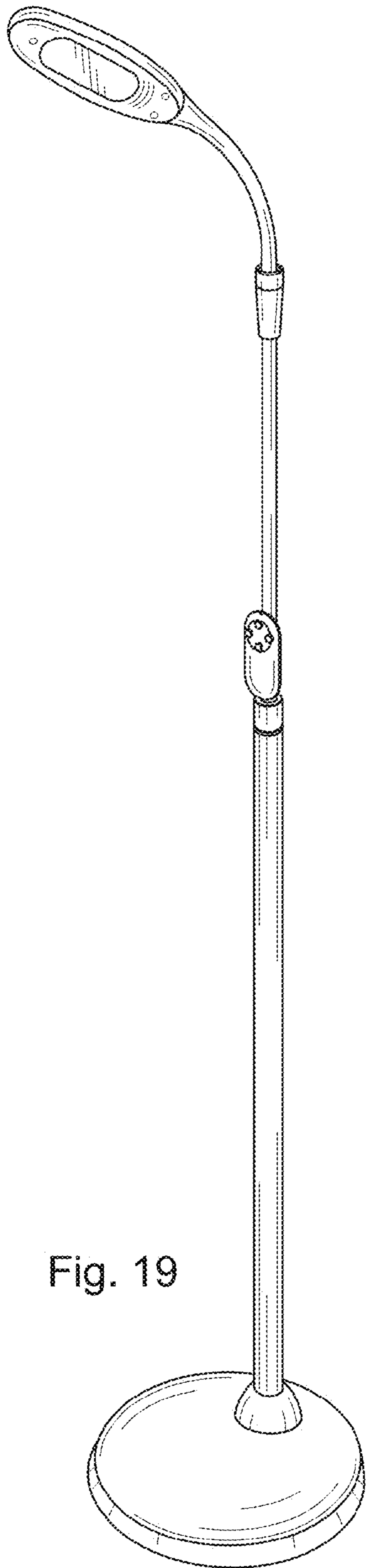


Fig. 19

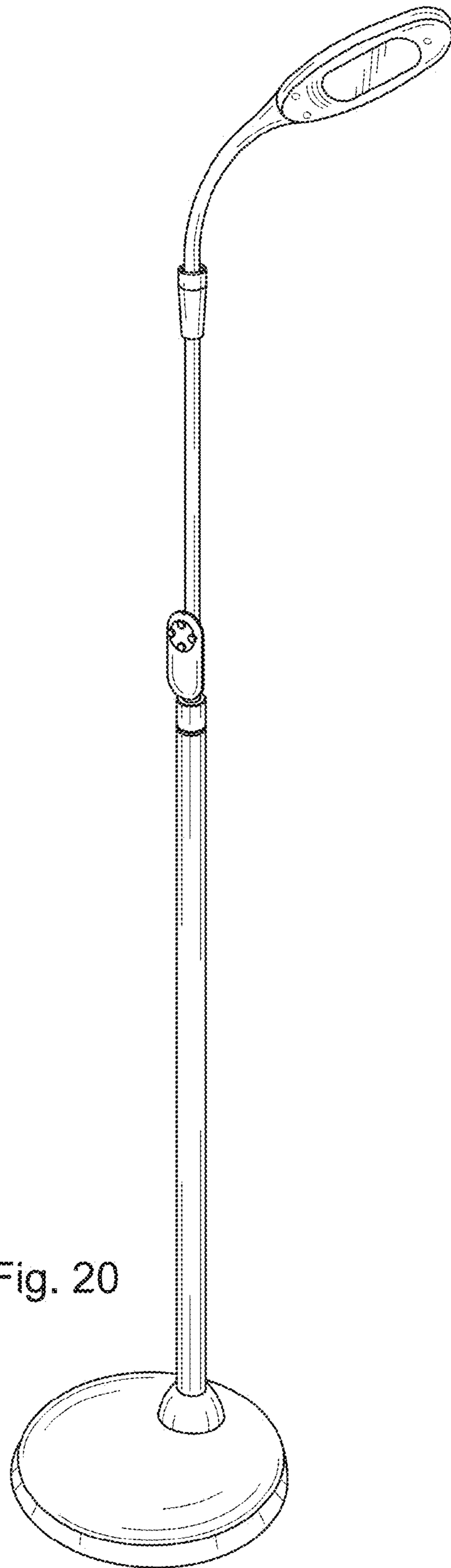


Fig. 20

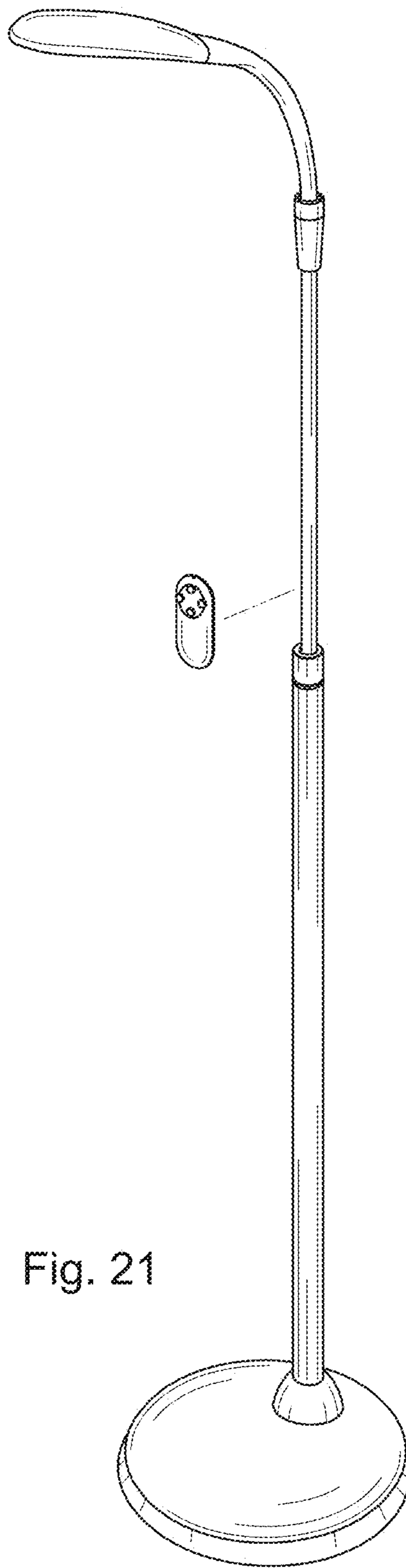


Fig. 21