

US00D728842S

(12) **United States Design Patent**  
**Arola Ferrer**

(10) **Patent No.:** **US D728,842 S**  
(45) **Date of Patent:** **\*\* May 5, 2015**

(54) **LAMP**

(71) Applicant: **Santa & Cole Neoseries S.L.**, Barcelona (ES)

(72) Inventor: **Antoni Arola Ferrer**, Barcelona (ES)

(73) Assignee: **Santa & Cole Neoseries S.L.**, La Roca del Vallès (Barcelona) (ES)

(\*\*) Term: **14 Years**

(21) Appl. No.: **29/474,447**

(22) Filed: **Sep. 24, 2014**

(30) **Foreign Application Priority Data**

Mar. 28, 2014 (EM) ..... 0024349930003

(51) **LOC (10) Cl.** ..... **26-03**

(52) **U.S. Cl.**  
USPC ..... **D26/88; D26/83**

(58) **Field of Classification Search**

CPC ..... F21W 2121/00; F21S 8/00; F21S 4/00  
USPC ..... D26/25, 80-92, 118; 362/147, 404-408  
See application file for complete search history.

(56) **References Cited**

**U.S. PATENT DOCUMENTS**

D112,842 S \* 1/1939 Manning ..... D26/86  
D167,081 S \* 6/1952 Huegel ..... D26/88

D459,525 S \* 6/2002 Barry ..... D26/88  
D525,384 S \* 7/2006 Waycaster et al. .... D26/76  
D605,332 S \* 12/2009 Miranda ..... D26/88  
D605,333 S \* 12/2009 Miranda ..... D26/88  
D606,233 S \* 12/2009 Benghozi ..... D26/88  
D632,003 S \* 2/2011 Jordan ..... D26/88  
D671,676 S \* 11/2012 Komarov et al. .... D26/124  
D686,771 S \* 7/2013 Lastimosa ..... D26/88  
D698,983 S \* 2/2014 Rampolla et al. .... D26/90  
D701,635 S \* 3/2014 Lim ..... D26/88  
D716,487 S \* 10/2014 Martin ..... D26/88

\* cited by examiner

*Primary Examiner* — Clare E Heflin

(74) *Attorney, Agent, or Firm* — Staas & Halsey LLP

(57) **CLAIM**

The ornamental design for a lamp, as shown and described.

**DESCRIPTION**

FIG. 1 is a top perspective view of the lamp showing our design;

FIG. 2 is a front view thereof;

FIG. 3 is a left side view thereof;

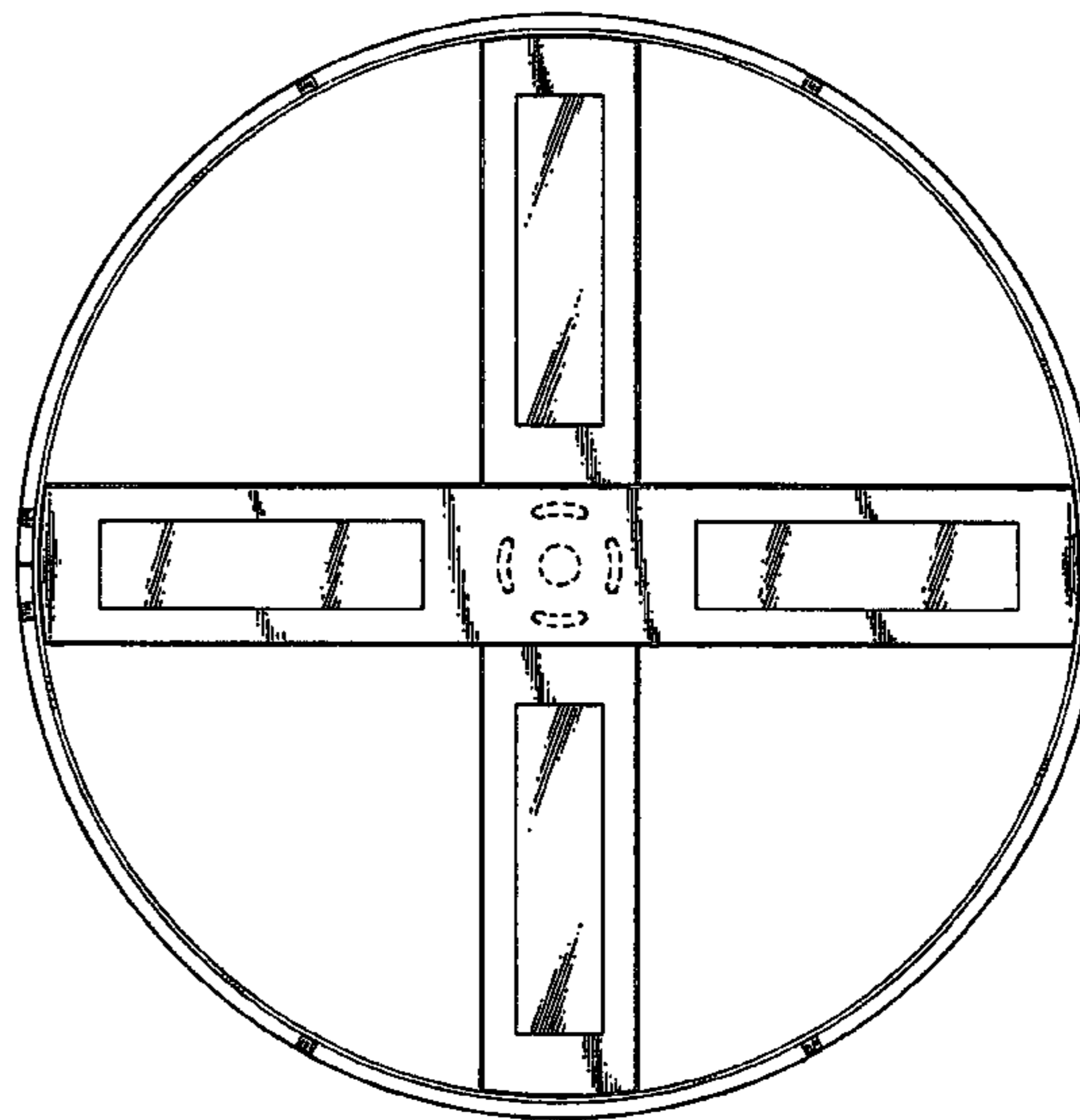
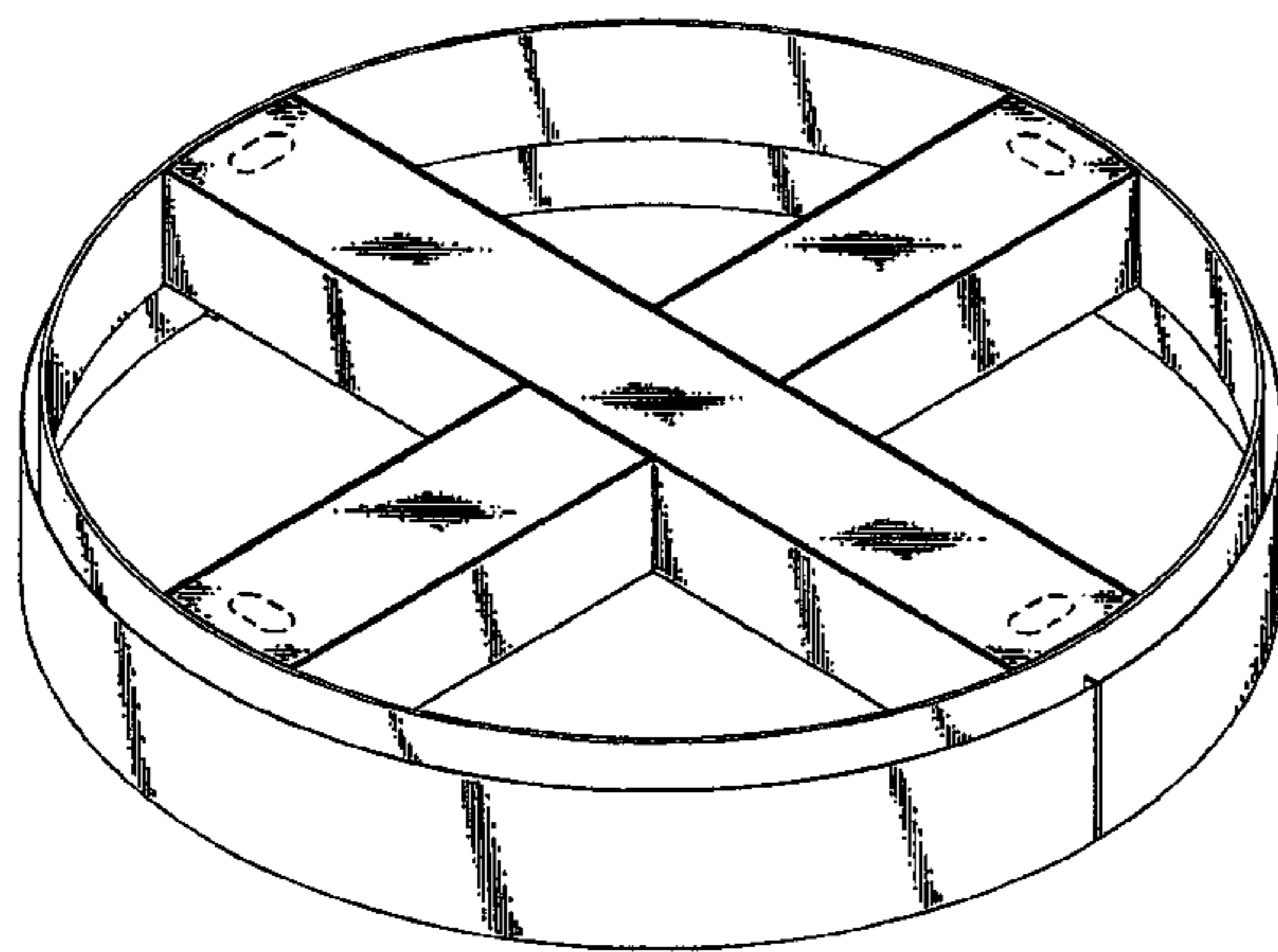
FIG. 4 is a top view thereof;

FIG. 5 is a right side view thereof; and,

FIG. 6 is a bottom view thereof.

The broken lines in FIGS. 1, 4, and 6 depict a portion of the lamp that forms no part of the claimed design.

**1 Claim, 6 Drawing Sheets**



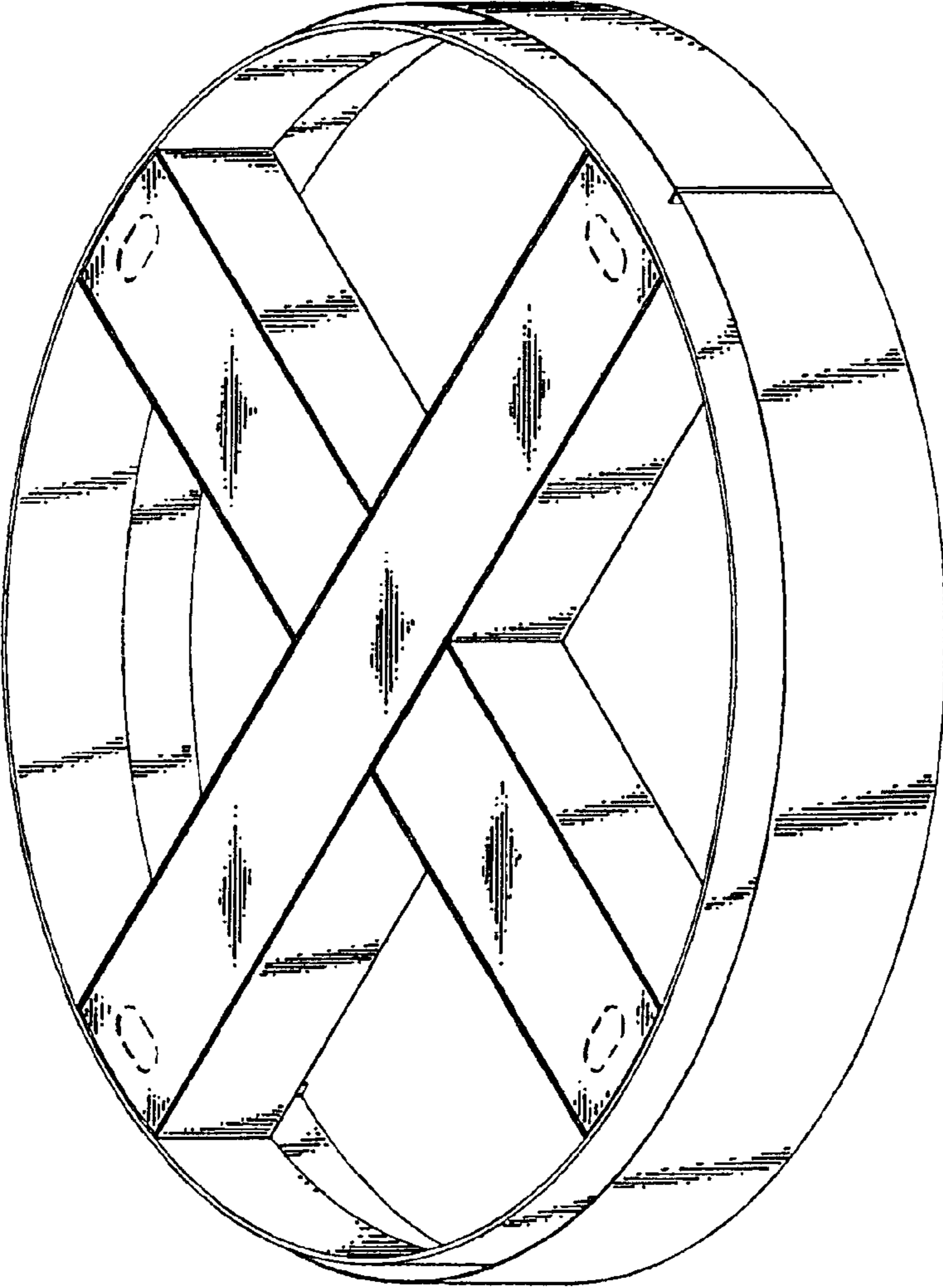


FIG. 1

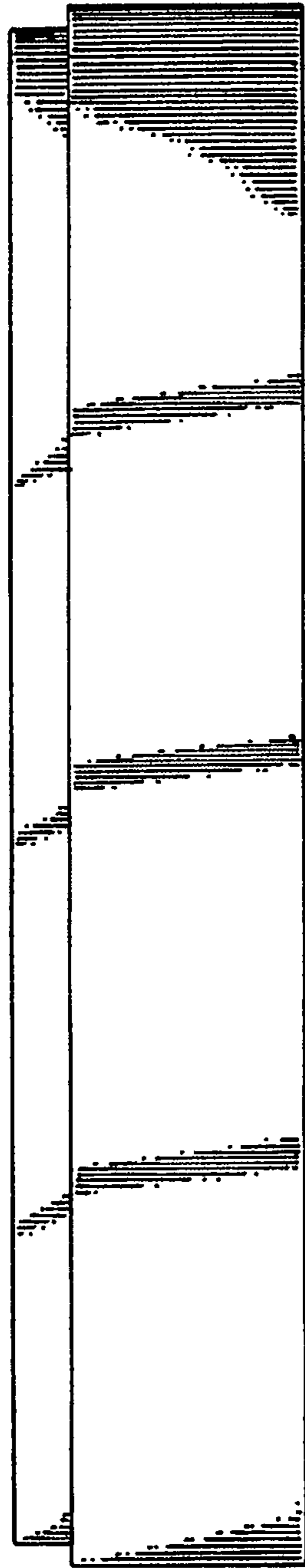


FIG. 2

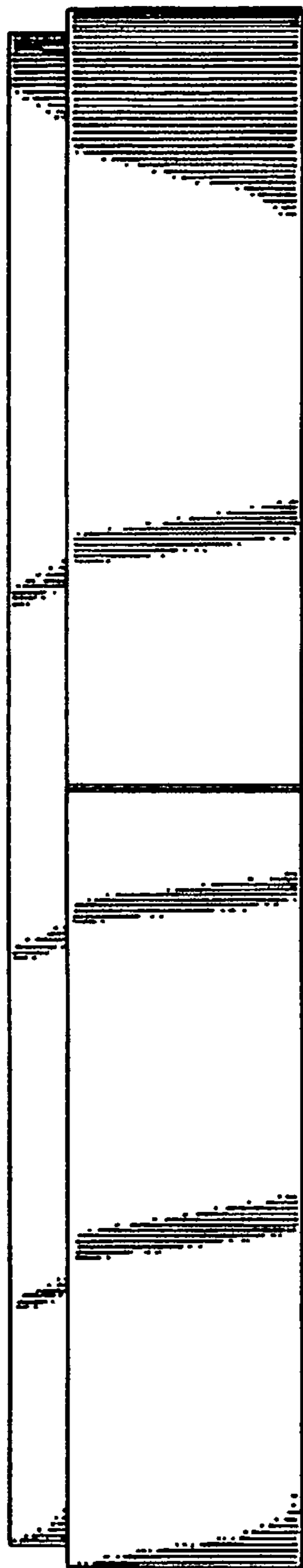


FIG. 3

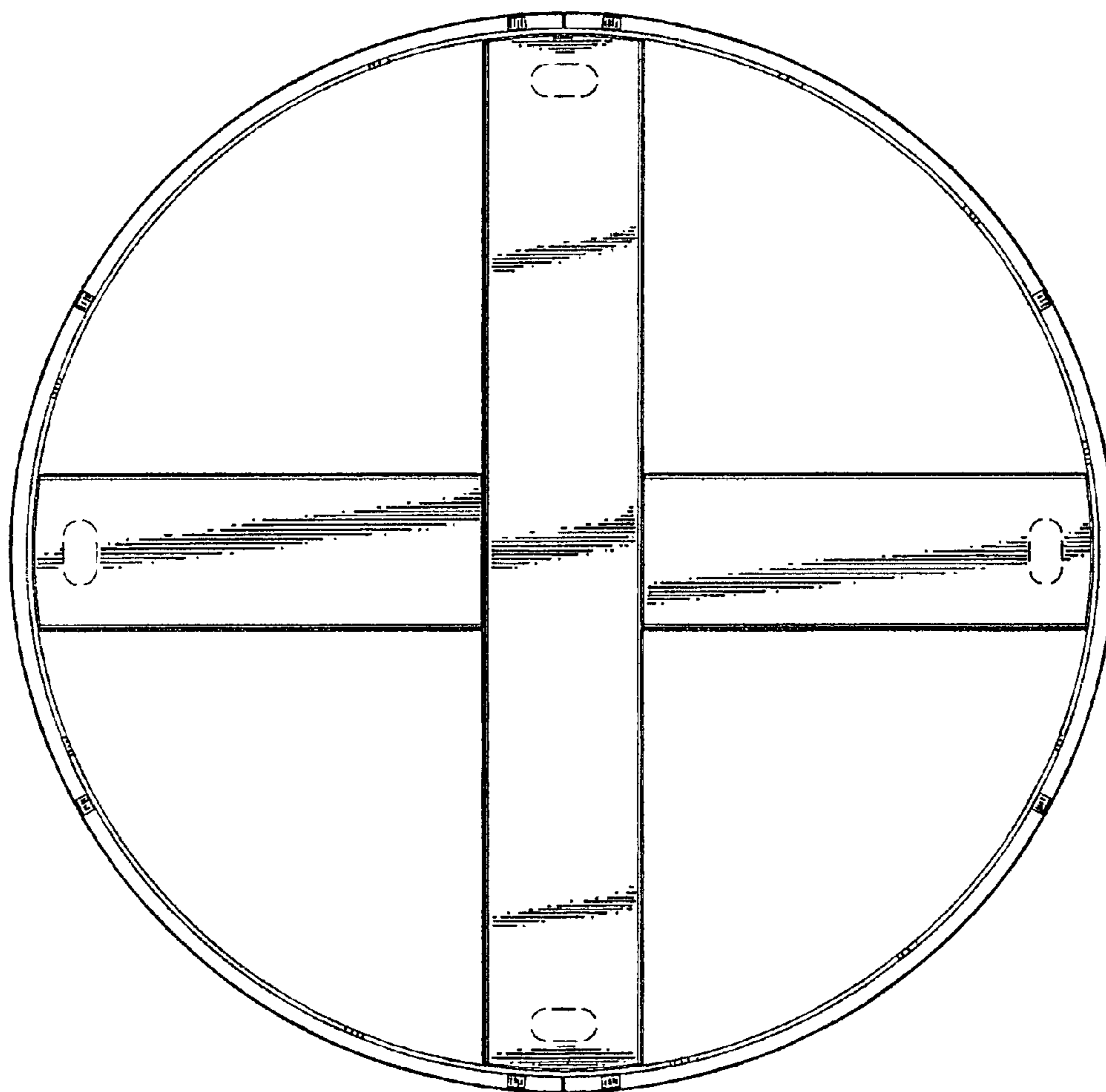


FIG. 4

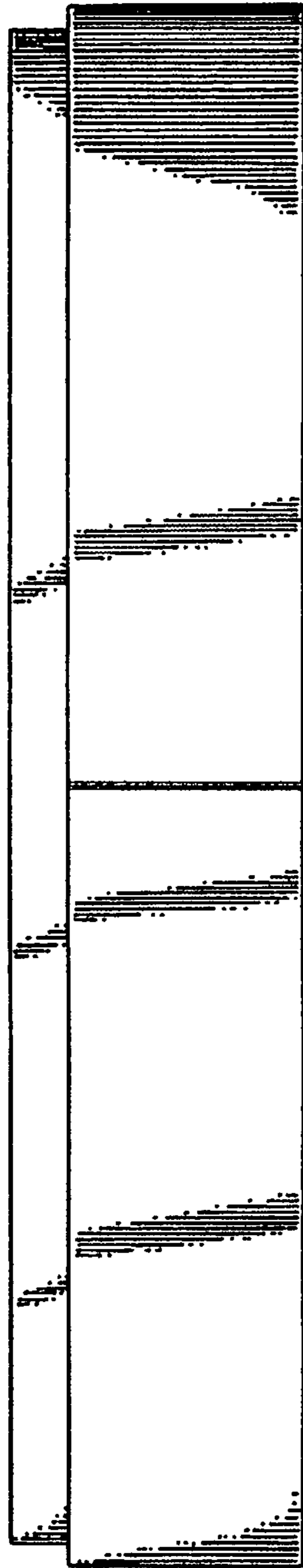


FIG. 5

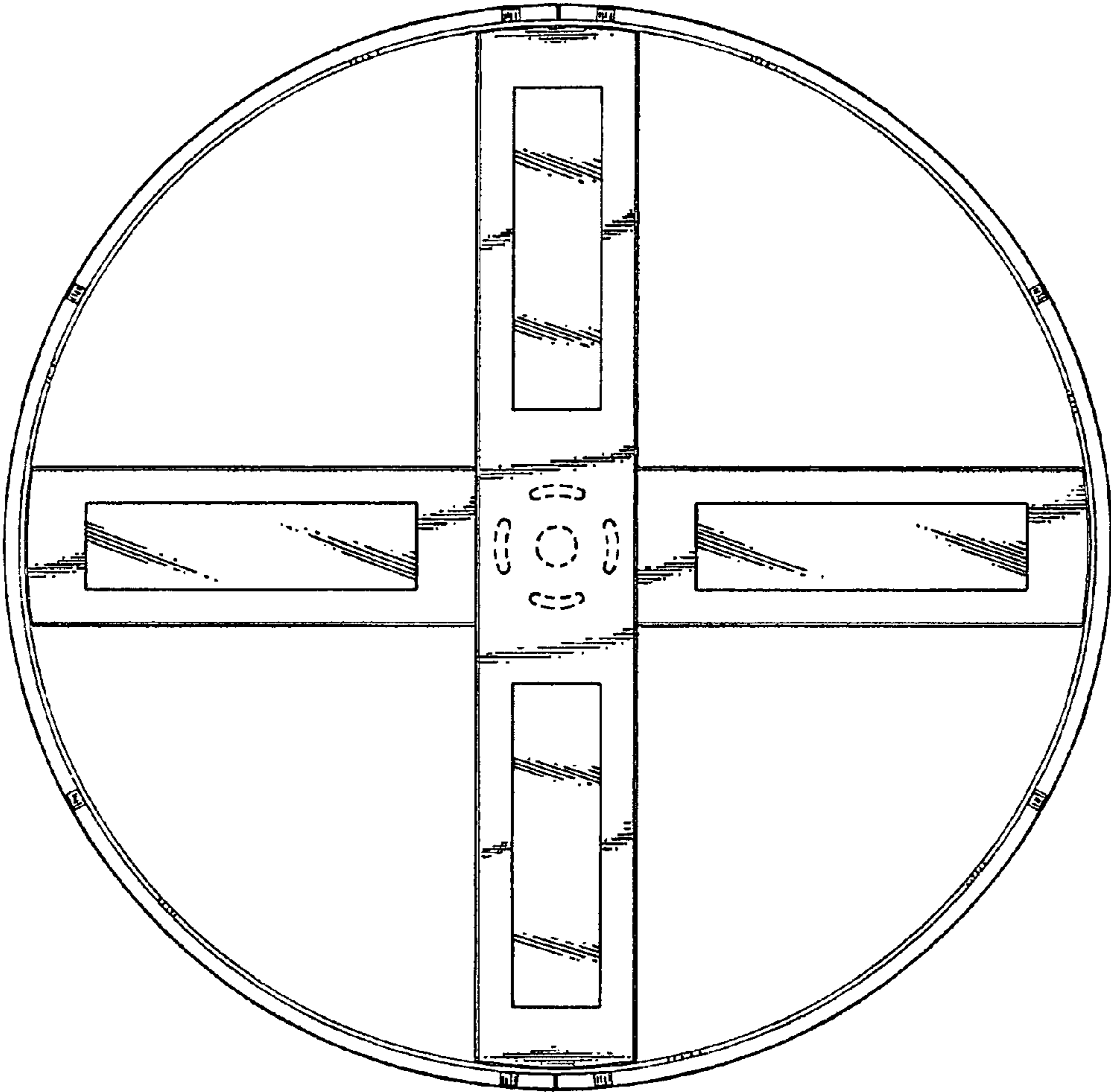


FIG. 6