



US00D728841S

(12) **United States Design Patent**
Kuhnke et al.

(10) **Patent No.:** **US D728,841 S**

(45) **Date of Patent:** **** May 5, 2015**

(54) **LIGHT FIXTURE**

(71) Applicant: **Broan-NuTone LLC**, Hartford, WI (US)

(72) Inventors: **Thomas A. Kuhnke**, Campbellsport, WI (US); **Benjamin Thorpe Puffer**, Hartford, WI (US); **Kenneth J. Jonas**, Mequon, WI (US)

(73) Assignee: **Broan-NuTone LLC**, Hartford, WI (US)

(**) Term: **14 Years**

(21) Appl. No.: **29/490,057**

(22) Filed: **May 6, 2014**

(51) **LOC (10) Cl.** **26-05**

(52) **U.S. Cl.**
USPC **D26/67**

(58) **Field of Classification Search**
USPC D26/67, 68, 72, 85, 87, 128-134;
362/147, 431, 432; D22/120
See application file for complete search history.

(56) **References Cited**

U.S. PATENT DOCUMENTS

D63,205 S *	10/1923	Toensfeldt	D26/24
D65,437 S *	8/1924	Gosling	D26/67
D302,327 S *	7/1989	DiCola	D26/67
D383,865 S *	9/1997	Heiberg et al.	D26/67
D387,458 S *	12/1997	Ruggles et al.	D26/67
D455,514 S *	4/2002	Cheong	D26/68
D461,921 S *	8/2002	Ellis	D26/67

D470,963 S *	2/2003	Cheong	D26/67
D485,000 S *	1/2004	Chen	D26/67
D492,437 S *	6/2004	Hon et al.	D26/67
D496,119 S *	9/2004	Bucher et al.	D26/67
D497,023 S *	10/2004	Burkart et al.	D26/67
D512,172 S *	11/2005	Pu	D26/67
D603,996 S *	11/2009	Chen	D26/67
D672,488 S *	12/2012	Chen	D26/67
D694,930 S *	12/2013	Meyer et al.	D26/67

* cited by examiner

Primary Examiner — Clare E Heflin

(74) *Attorney, Agent, or Firm* — Schwegman Lundberg & Woessner, P.A.

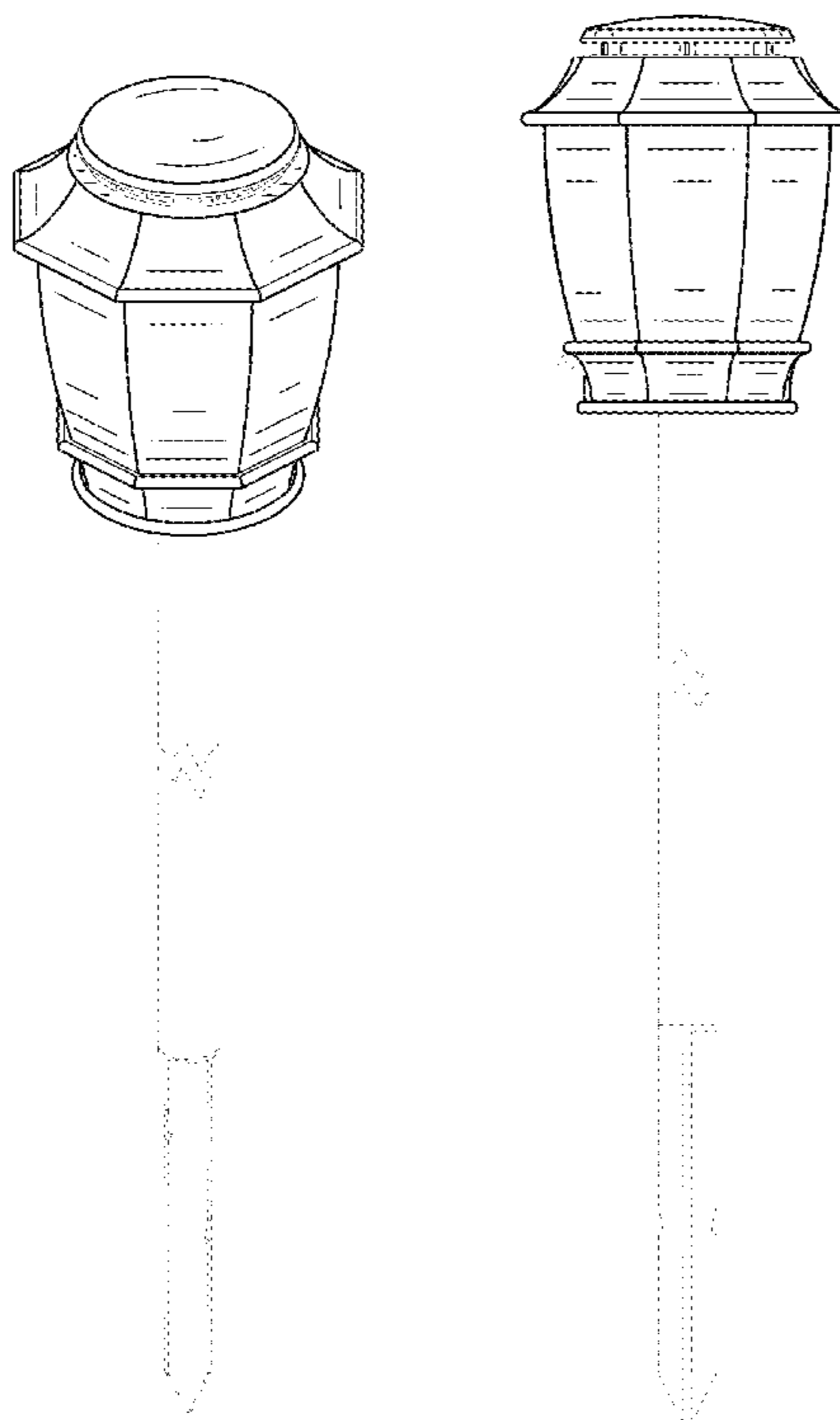
(57) **CLAIM**

We claim the ornamental design for a light fixture, as shown and described.

DESCRIPTION

FIG. 1 is a perspective view of a light fixture;
FIG. 2 is a side view of the light fixture of FIG. 1;
FIG. 3 is a view of the opposite side of the light fixture shown in FIG. 2;
FIG. 4 is a front view of the light fixture of FIG. 1;
FIG. 5 is a rear view of the light fixture of FIG. 1;
FIG. 6 is a top view of the light fixture of FIG. 1; and,
FIG. 7 is a bottom view of the light fixture of FIG. 1.
The features shown in broken lines depict environmental subject matter only and form no part of the claimed design.

1 Claim, 4 Drawing Sheets



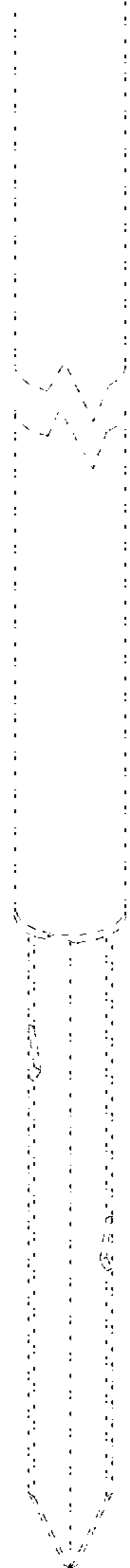
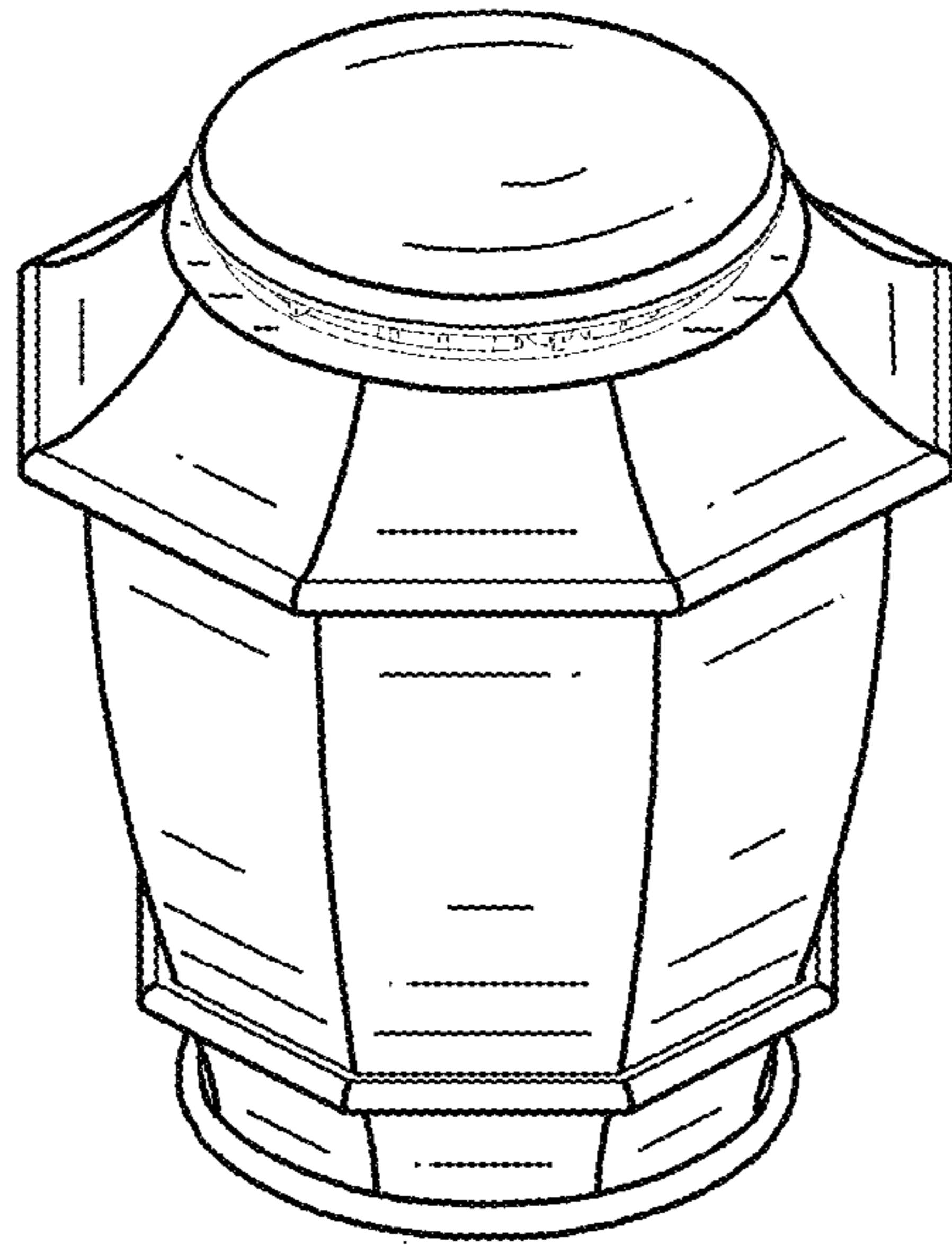


FIG. 1

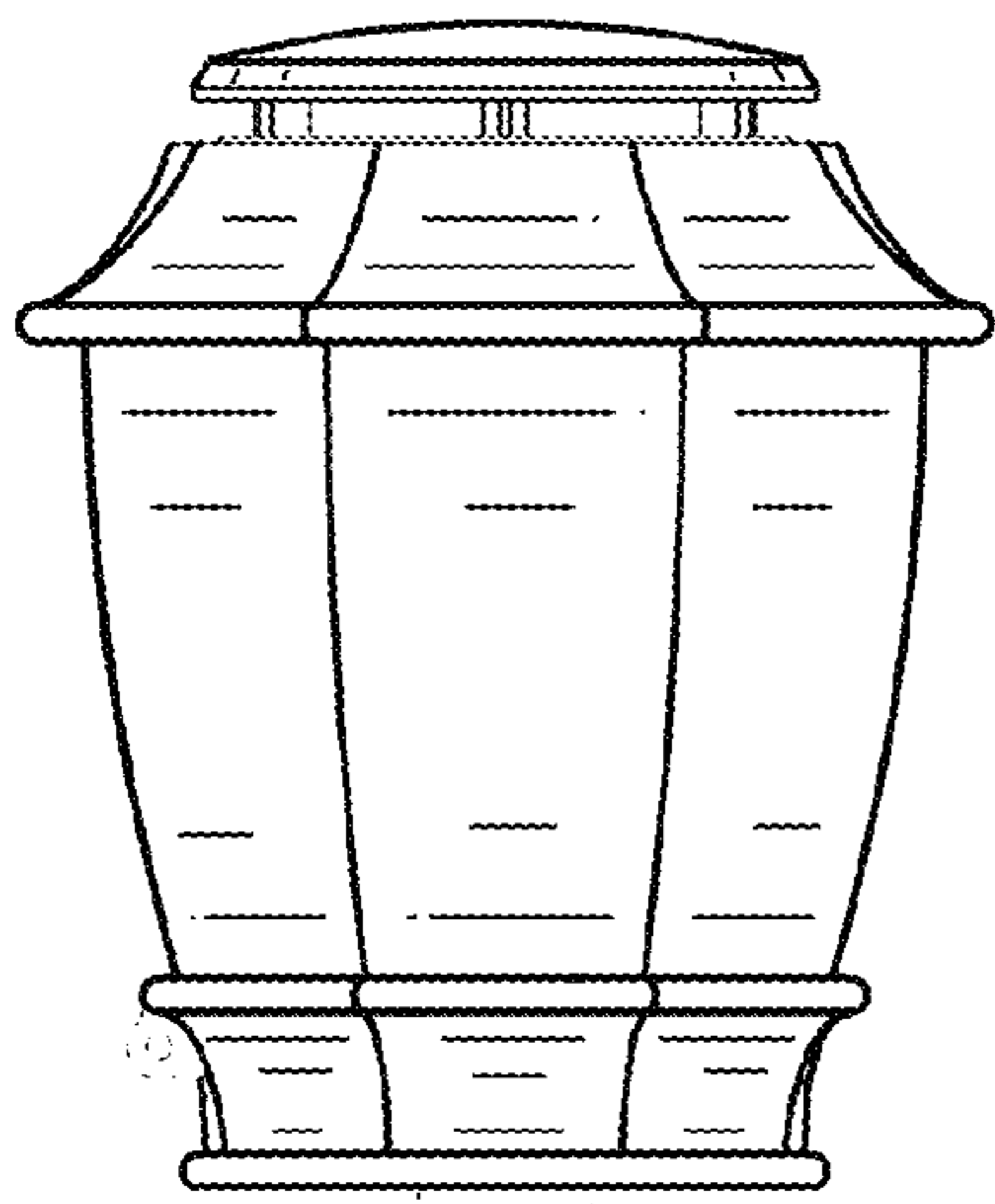


FIG. 2

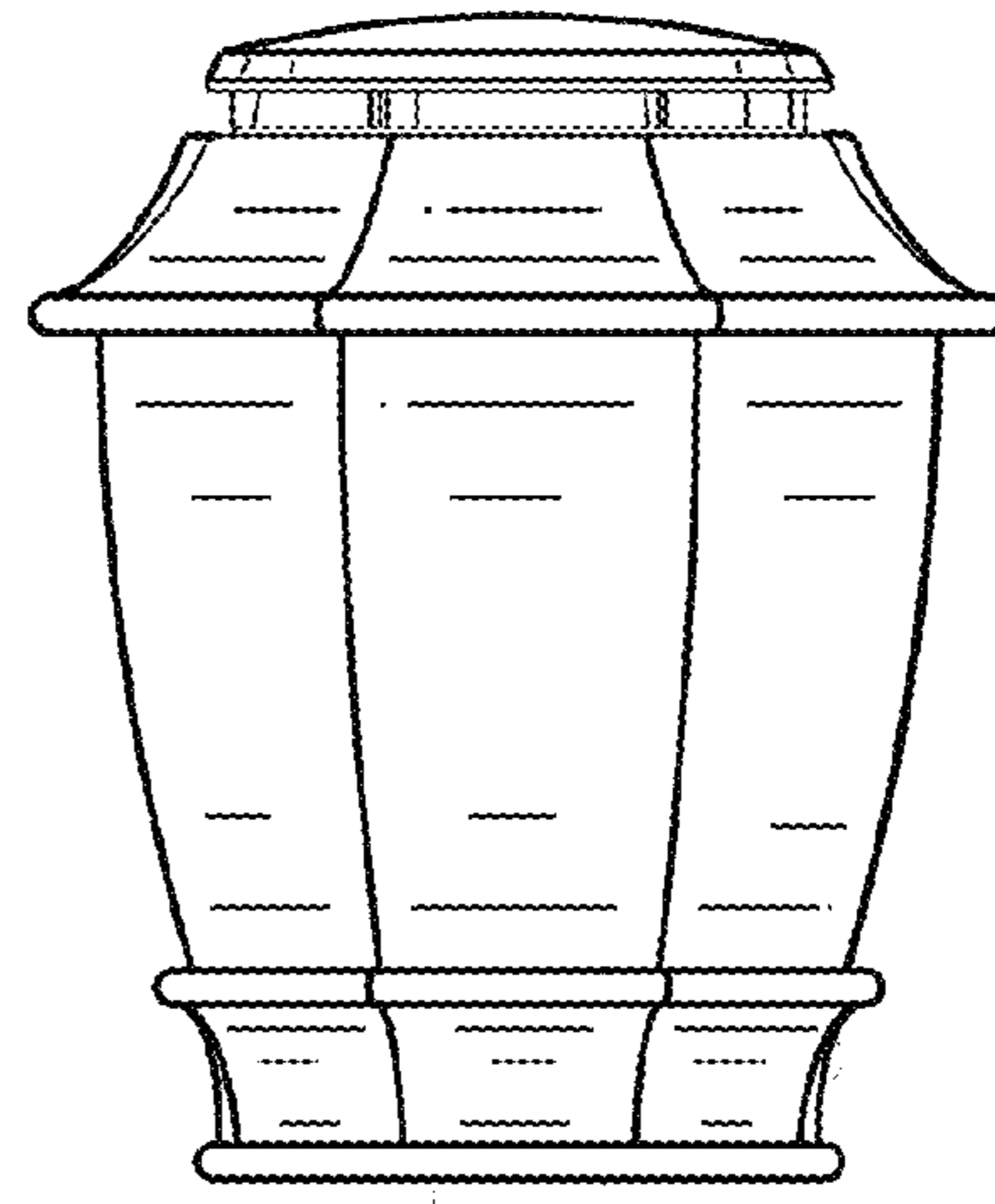


FIG. 3

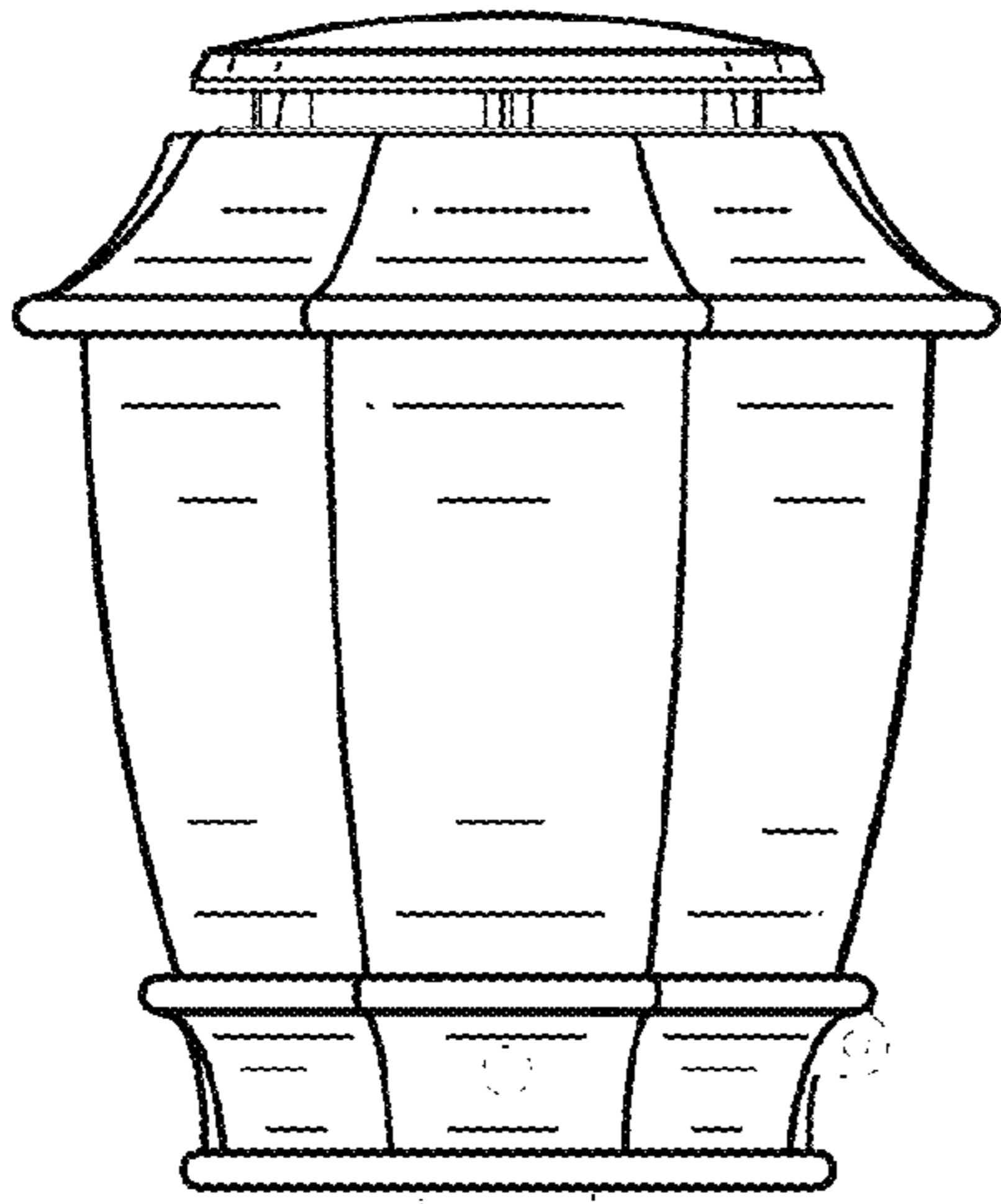


FIG. 4

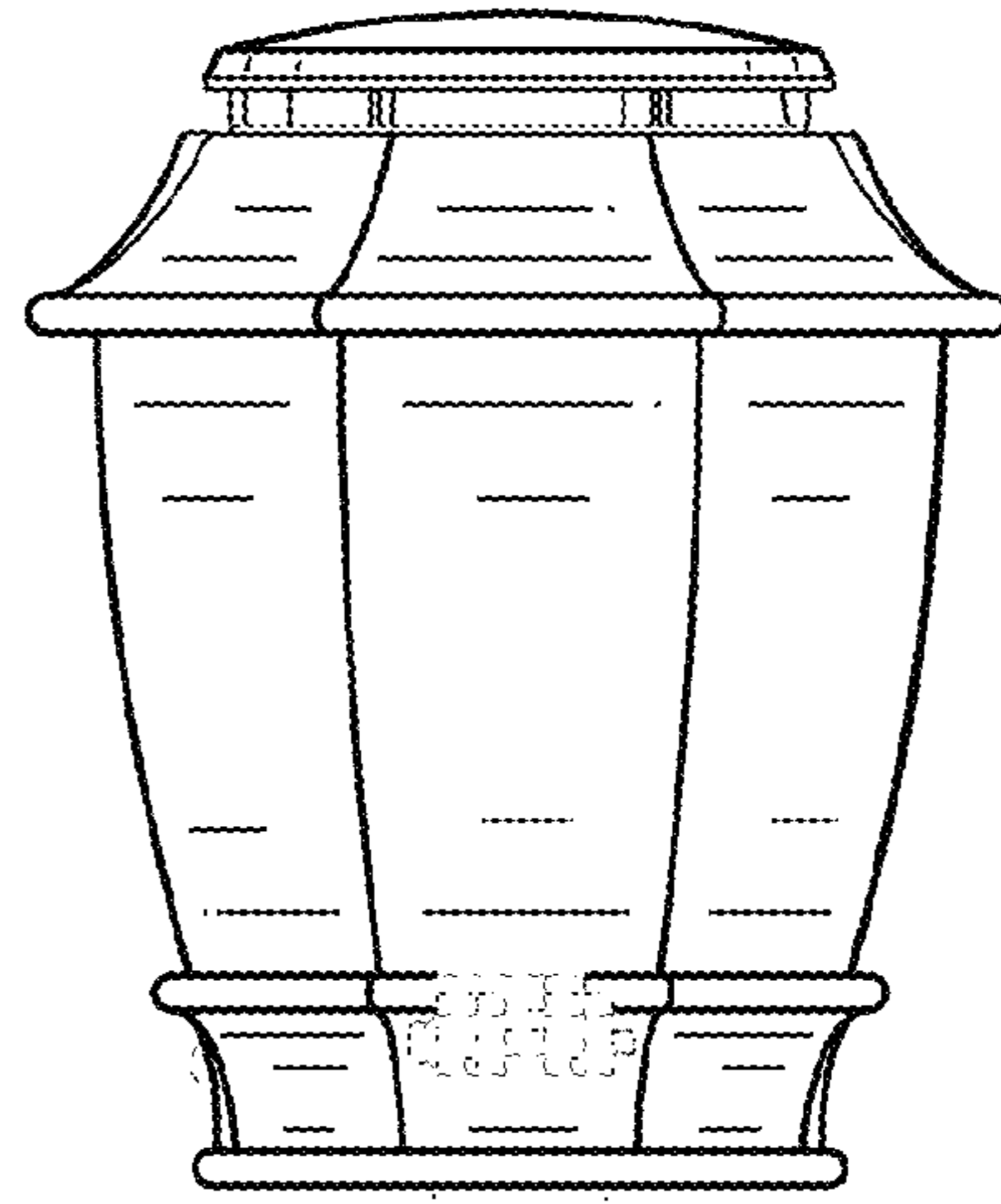


FIG. 5

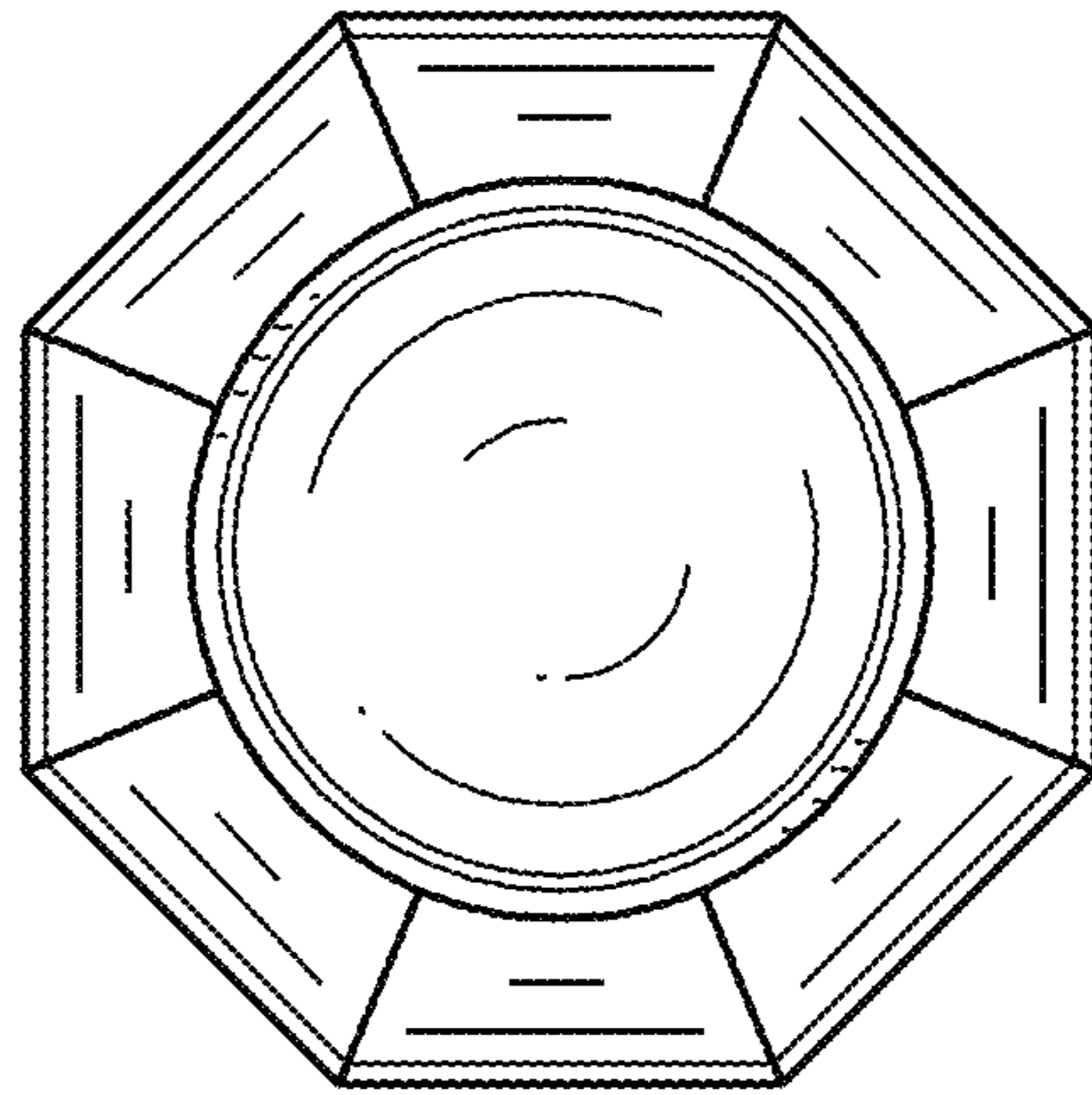


FIG. 6

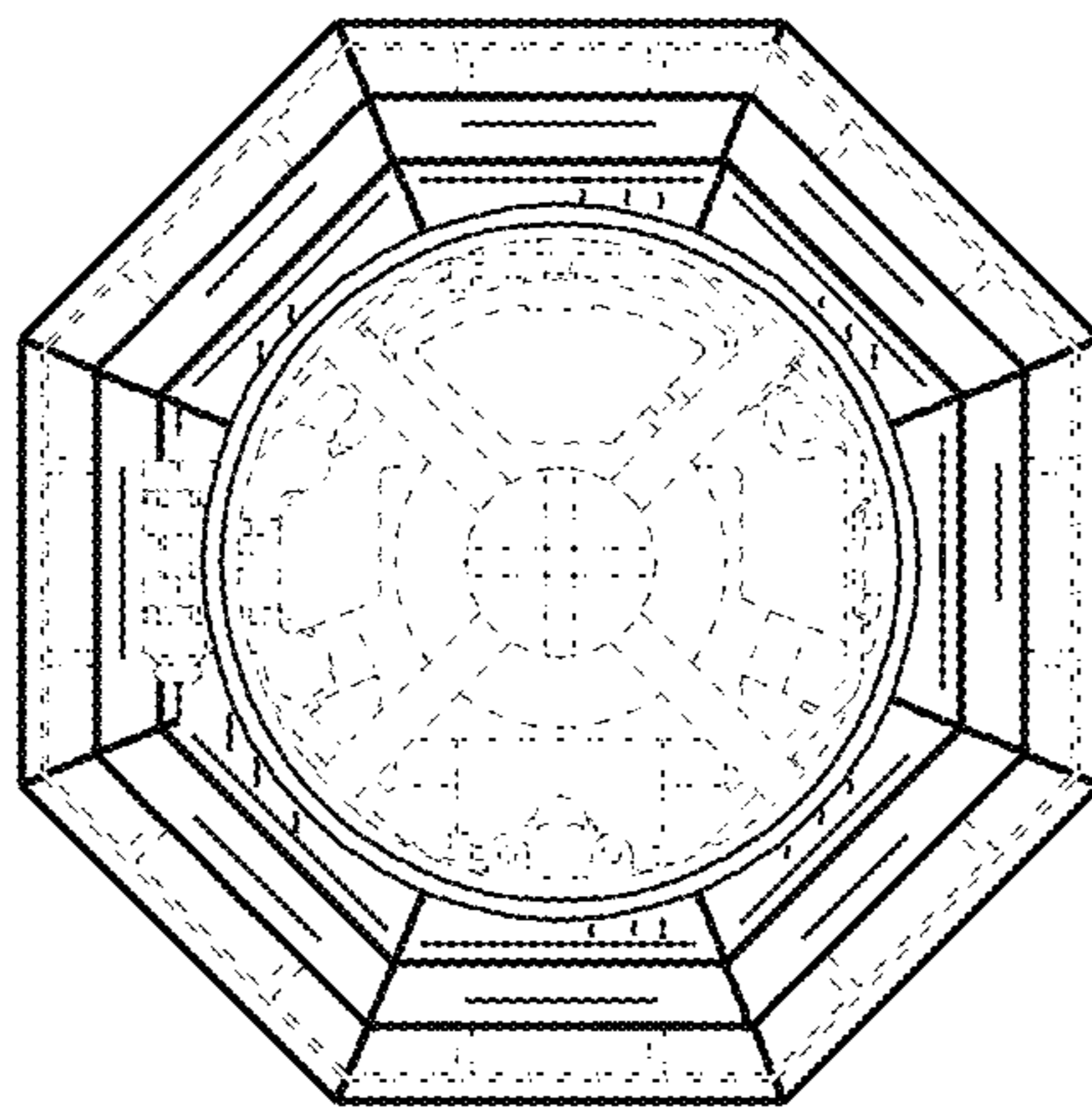


FIG. 7