



US00D728838S

(12) **United States Design Patent**
Maglica

(10) **Patent No.:** **US D728,838 S**
(45) **Date of Patent:** **** May 5, 2015**

- (54) **FLASHLIGHT**
- (75) Inventor: **Anthony Maglica**, Anaheim, CA (US)
- (73) Assignee: **Mag Instrument, Inc.**, Ontario, CA (US)
- (**) Term: **14 Years**
- (21) Appl. No.: **29/404,369**
- (22) Filed: **Oct. 19, 2011**

Related U.S. Application Data

- (63) Continuation-in-part of application No. 13/216,092, filed on Aug. 23, 2011, now Pat. No. 8,692,473.
- (51) **LOC (10) Cl.** **26-02**
- (52) **U.S. Cl.**
USPC **D26/49**
- (58) **Field of Classification Search**
USPC D26/49, 37, 46; 362/157, 158, 183, 362/184, 194–196, 202–208
See application file for complete search history.

References Cited

U.S. PATENT DOCUMENTS

D308,109 S	5/1990	Maglica et al.	
5,586,819 A	12/1996	Bamber et al.	
D445,522 S *	7/2001	Chiu	D26/49
D445,926 S	7/2001	Cheong	
6,283,609 B1	9/2001	Parsons	
D465,045 S	10/2002	Yamamoto et al.	
D465,864 S	11/2002	Shiu	
6,626,556 B2	9/2003	Galli	
D489,469 S	5/2004	Liou	
D495,442 S	8/2004	Packard	
D501,055 S	1/2005	Packard	
D504,529 S	4/2005	Vickers et al.	
D515,230 S	2/2006	Galli	
D523,981 S	6/2006	Galli	
D534,671 S	1/2007	Kim	

D535,417 S	1/2007	Martin	
D546,491 S	7/2007	Shiu	
D557,840 S *	12/2007	Shiu	D26/37
D563,007 S	2/2008	Opolka	
D566,309 S *	4/2008	Kornfeld et al.	D26/37
D577,449 S *	9/2008	Shiu	D26/49
D578,687 S	10/2008	Hong	
D585,577 S *	1/2009	Bonis	D26/49
D586,025 S *	2/2009	Bonis	D26/49
D601,735 S	10/2009	Chen	
D604,877 S	11/2009	Kung	
D637,748 S *	5/2011	Caniparoli	D26/49
D643,561 S	8/2011	Maglica	
D647,654 S	10/2011	Li	
D684,717 S *	6/2013	Hicks	D26/49
D689,227 S *	9/2013	Yeh	D26/46
D690,449 S *	9/2013	Yeh	D26/46
D698,056 S *	1/2014	Forbes et al.	D26/49
D704,368 S *	5/2014	Opolka	D26/49
D719,286 S *	12/2014	Inskeep	D26/49
2003/0021109 A1 *	1/2003	Matthews et al.	362/202
2006/0056173 A1 *	3/2006	Maglica	362/157

FOREIGN PATENT DOCUMENTS

JP	D1224460	10/2004
TW	D141883	8/2011

* cited by examiner

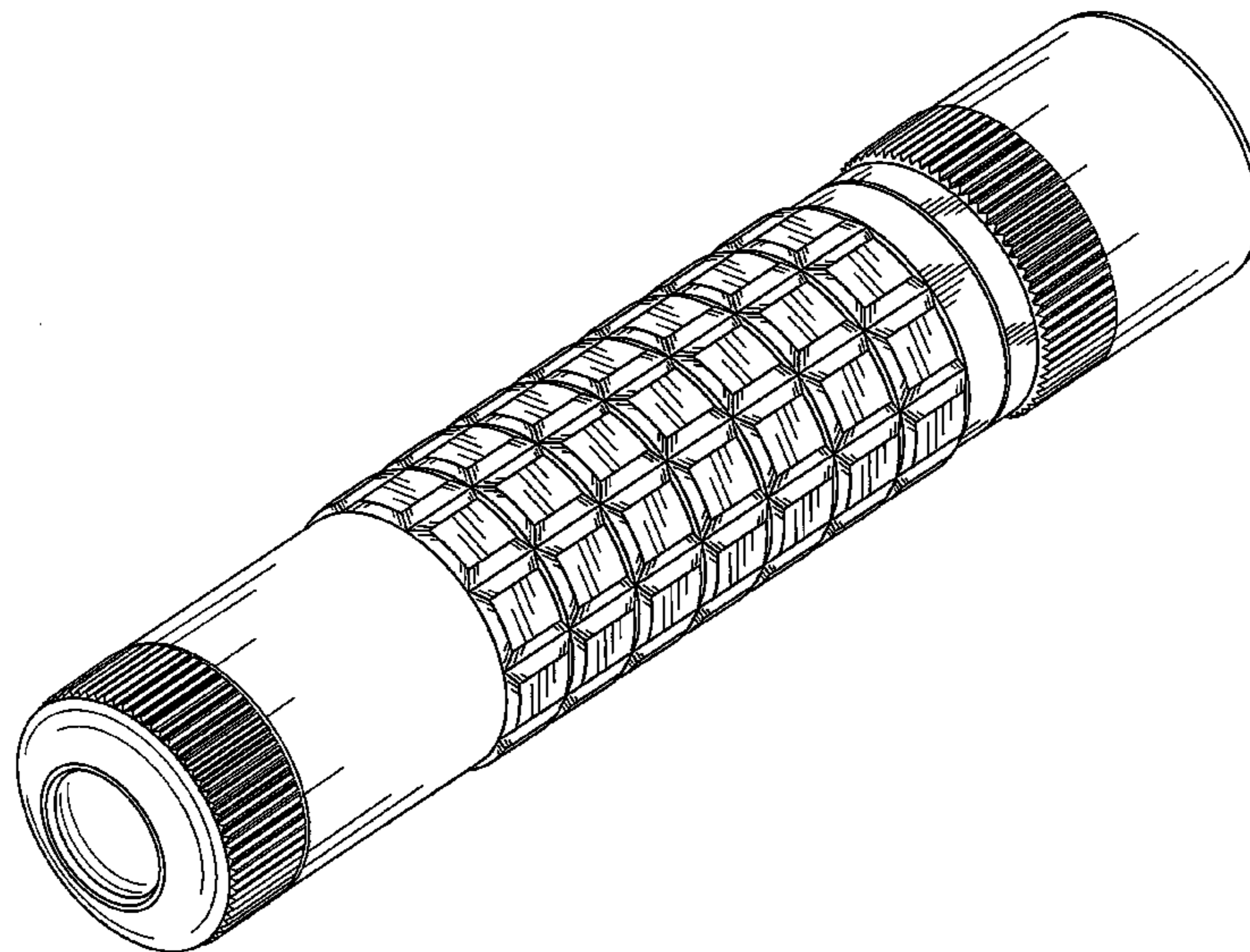
Primary Examiner — Ian Simmons
Assistant Examiner — Carissa C Fitts

(57) **CLAIM**
The ornamental design for a flashlight, as shown.

DESCRIPTION

FIG. 1 is a front, top perspective view of the flashlight; FIG. 2 is a rear, bottom perspective view thereof; FIG. 3 is a top plan view thereof; FIG. 4 is a front elevational view thereof; and, FIG. 5 is a rear elevational view thereof.

1 Claim, 3 Drawing Sheets



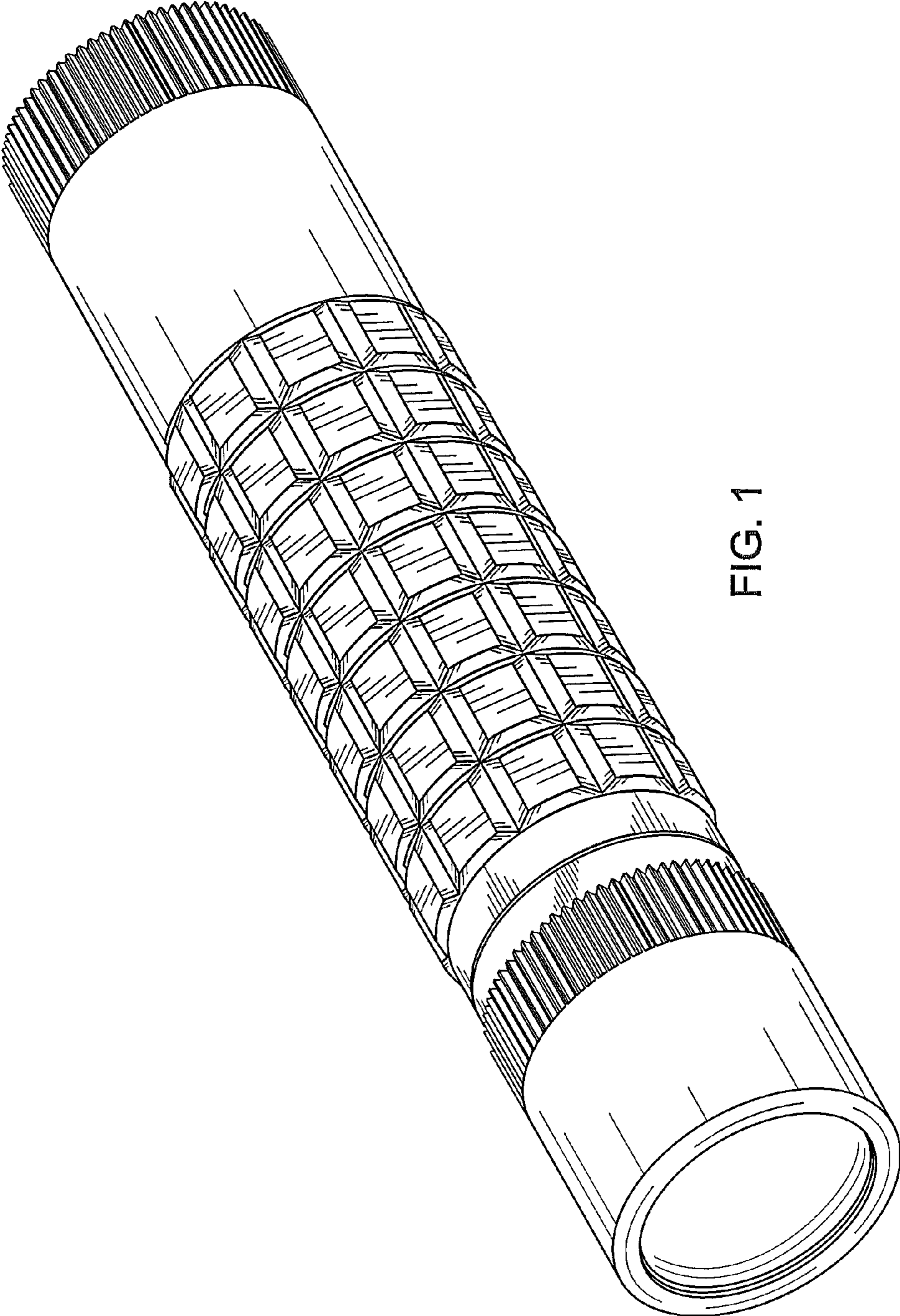


FIG. 1

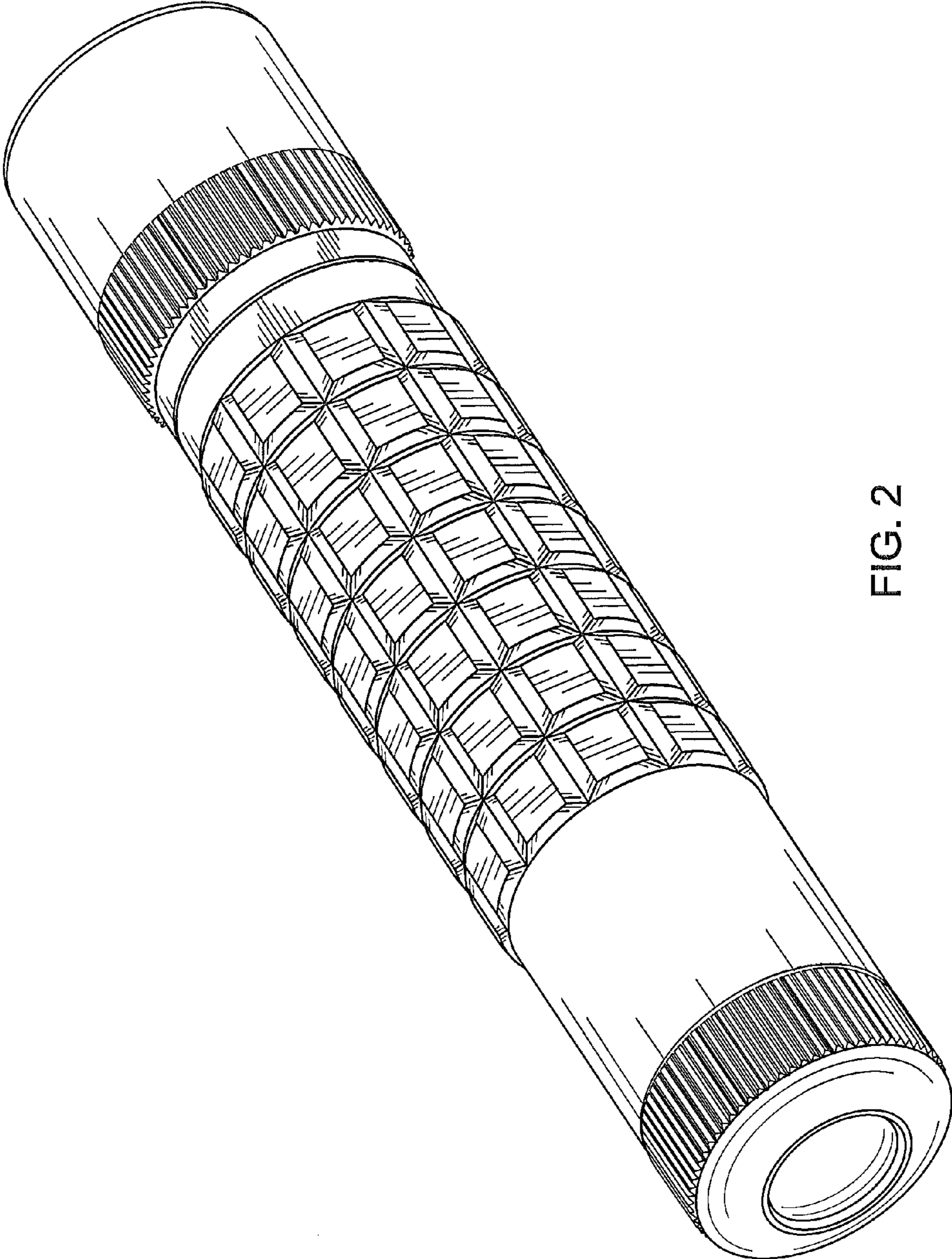


FIG. 2

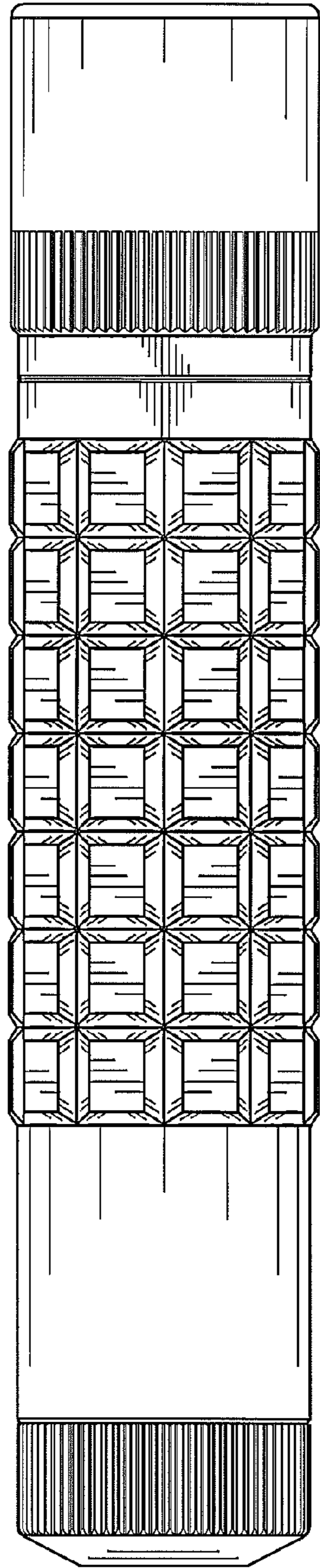


FIG. 3

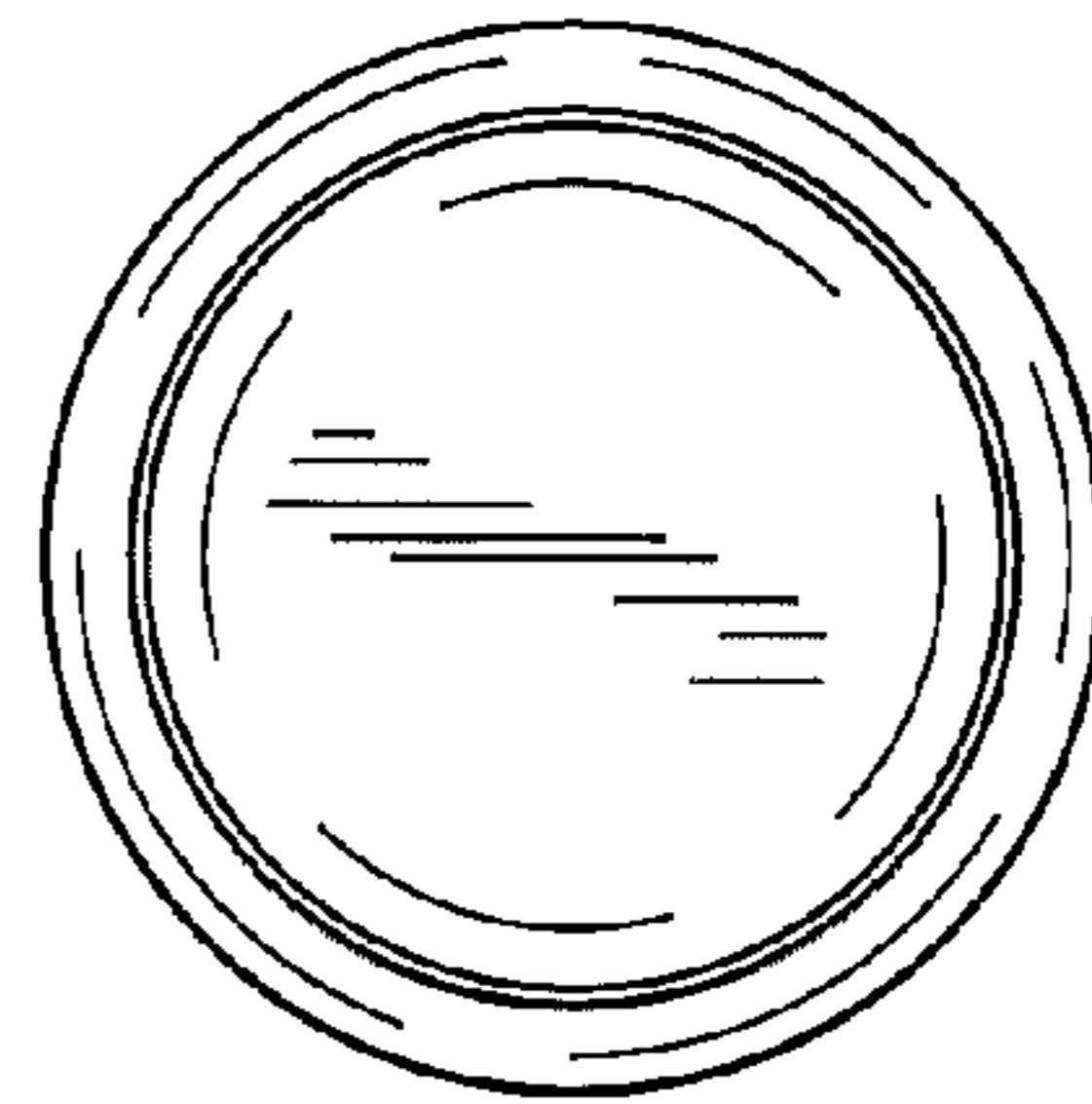


FIG. 4

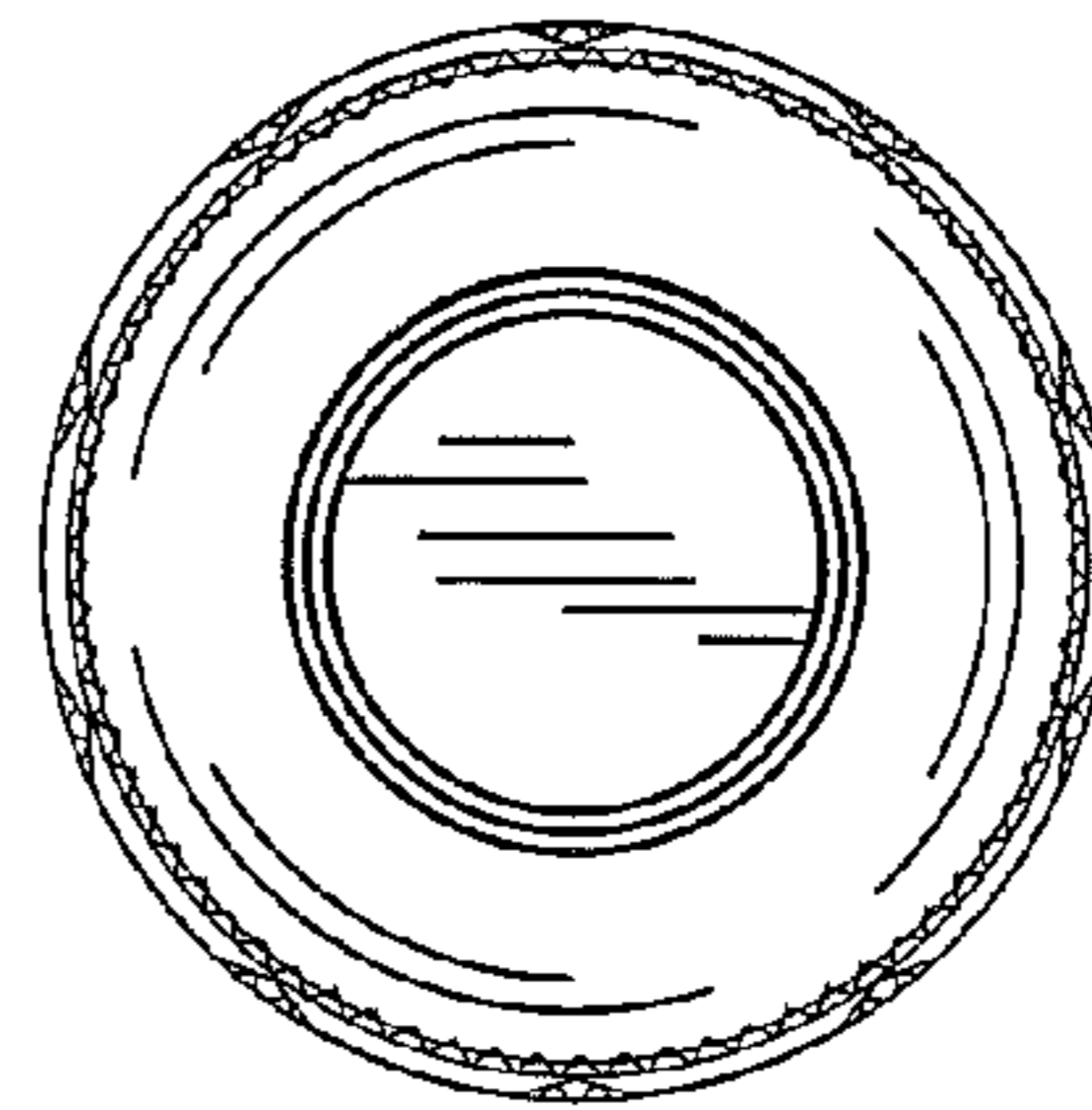


FIG. 5