



US00D728837S

(12) **United States Design Patent**
Ormsbee et al.

(10) **Patent No.:** **US D728,837 S**
(45) **Date of Patent:** **** May 5, 2015**

(54) **LED LIGHT**
(71) Applicant: **Nite Ize, Inc.**, Boulder, CO (US)
(72) Inventors: **Bowden Ormsbee**, Longmont, CO (US);
Dean Bacalzo, Broomfield, CO (US)
(73) Assignee: **Nite Ize, Inc.**, Boulder, CO (US)
(**) Term: **14 Years**

D492,050 S *	6/2004	Chung	D26/37
D495,073 S *	8/2004	Kumthampinij et al.	D26/37
D507,368 S *	7/2005	Waters	D26/37
D507,369 S *	7/2005	Waters	D26/37
D538,192 S *	3/2007	Martin	D10/106.1
D565,216 S *	3/2008	Markell	D26/37
D594,148 S *	6/2009	Heselden	D26/37
D656,651 S *	3/2012	Gorman	D26/47
D669,619 S *	10/2012	Ormsbee et al.	D26/62
D690,043 S *	9/2013	Sun	D26/37

* cited by examiner

(21) Appl. No.: **29/441,489**
(22) Filed: **Jan. 6, 2013**

Primary Examiner — Ian Simmons
Assistant Examiner — Carissa C Fitts
(74) *Attorney, Agent, or Firm* — Squire Patton Boggs (US) LLP

(51) **LOC (10) Cl.** **26-02**
(52) **U.S. Cl.**
USPC **D26/46; D26/38**
(58) **Field of Classification Search**
CPC F21V 33/00; F21V 14/025; F21V 21/406;
F21Y 2101/02; F21L 2003/00; F21L 2005/00;
F21L 2/00; F21L 4/00; F21L 4/005; F21L
7/00; F21L 3/08
USPC D26/37, 38, 40, 46, 49, 51; 362/158,
362/157, 183, 184, 194–196, 200–208, 253
See application file for complete search history.

(57) **CLAIM**
The ornamental design for a LED light, as shown and described.

DESCRIPTION

FIG. 1 is a front perspective view of a LED light;
FIG. 2 is a rear perspective view of the LED light of FIG. 1;
FIG. 3 is a front view of the LED light of FIG. 1;
FIG. 4 is a rear view of the LED light of FIG. 1;
FIG. 5 is a left view of the LED light of FIG. 1;
FIG. 6 is a right view of the LED light of FIG. 1;
FIG. 7 is a top view of the LED light of FIG. 1; and,
FIG. 8 is a bottom view of the LED light of FIG. 1.

(56) **References Cited**
U.S. PATENT DOCUMENTS
D375,372 S * 11/1996 Allen D26/37
D425,226 S * 5/2000 Galli D26/37

1 Claim, 6 Drawing Sheets

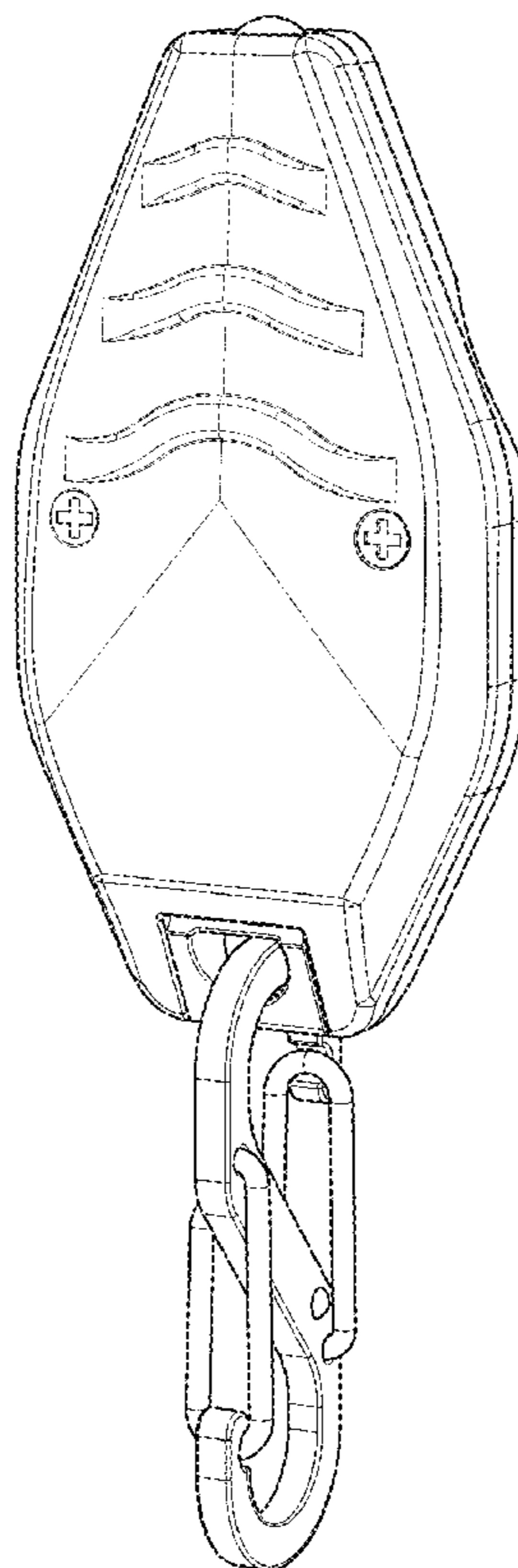


FIG. 1

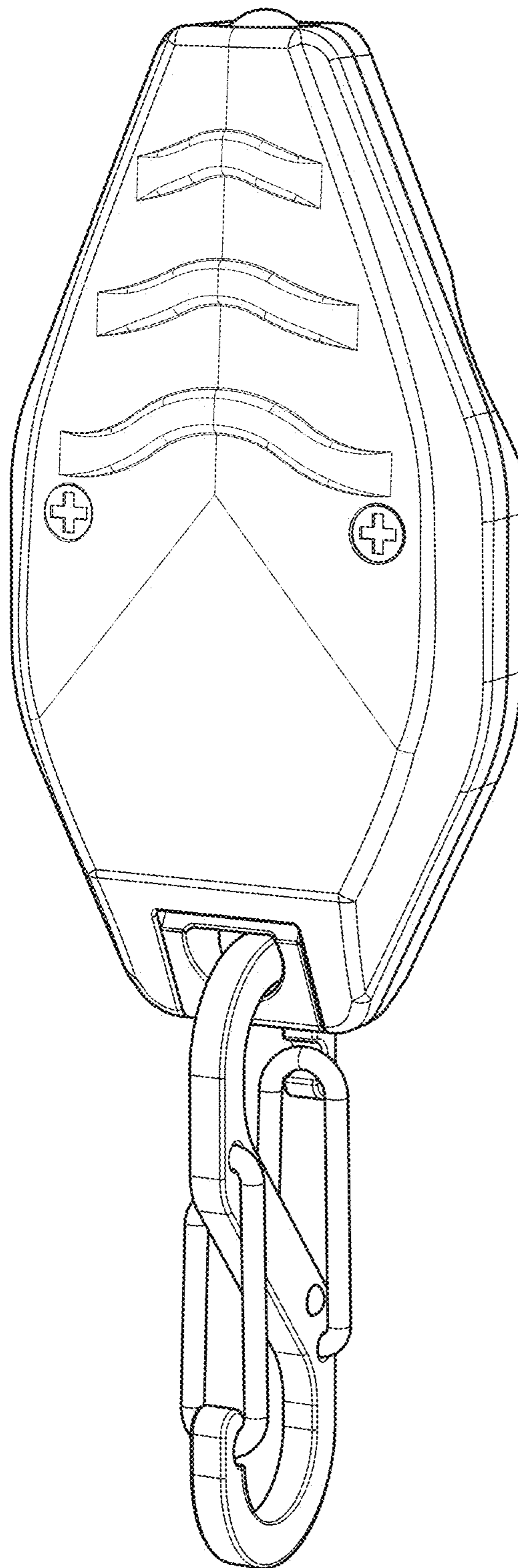


FIG. 2

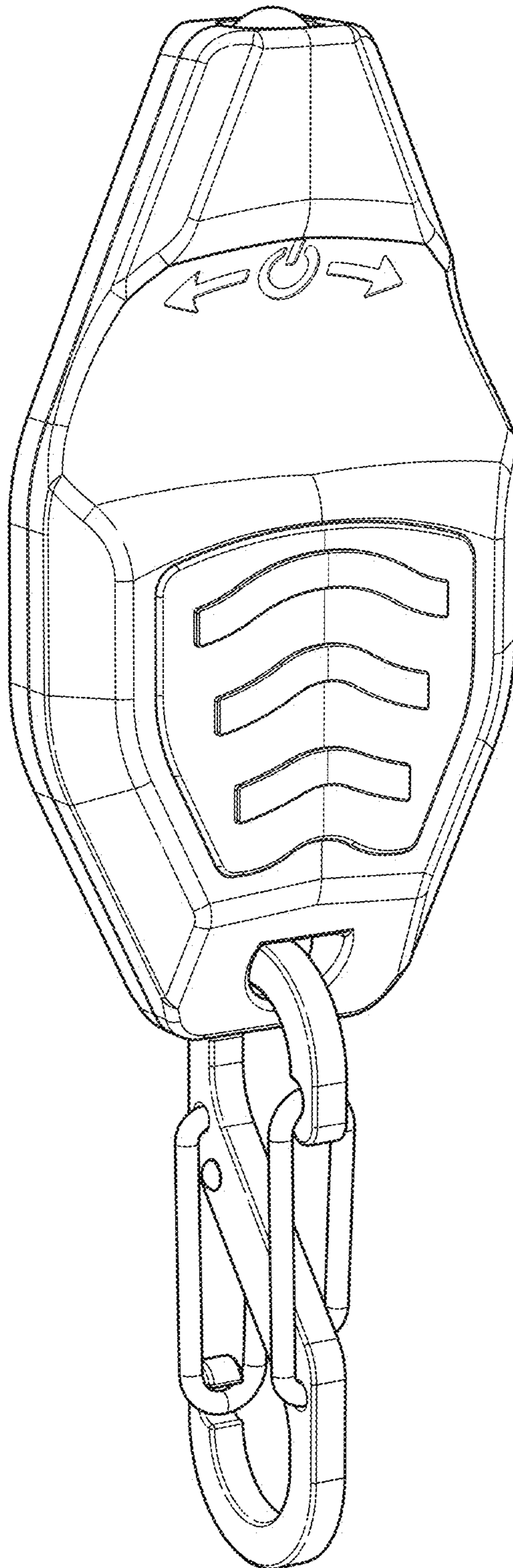


FIG. 3

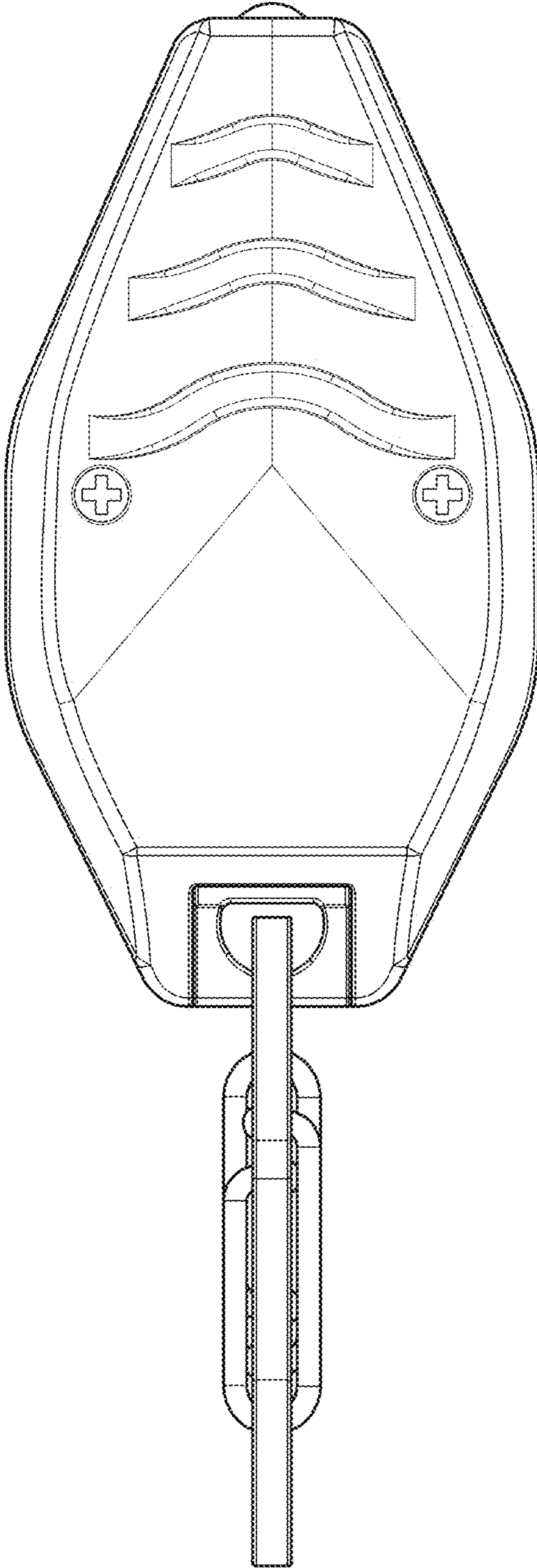


FIG. 4

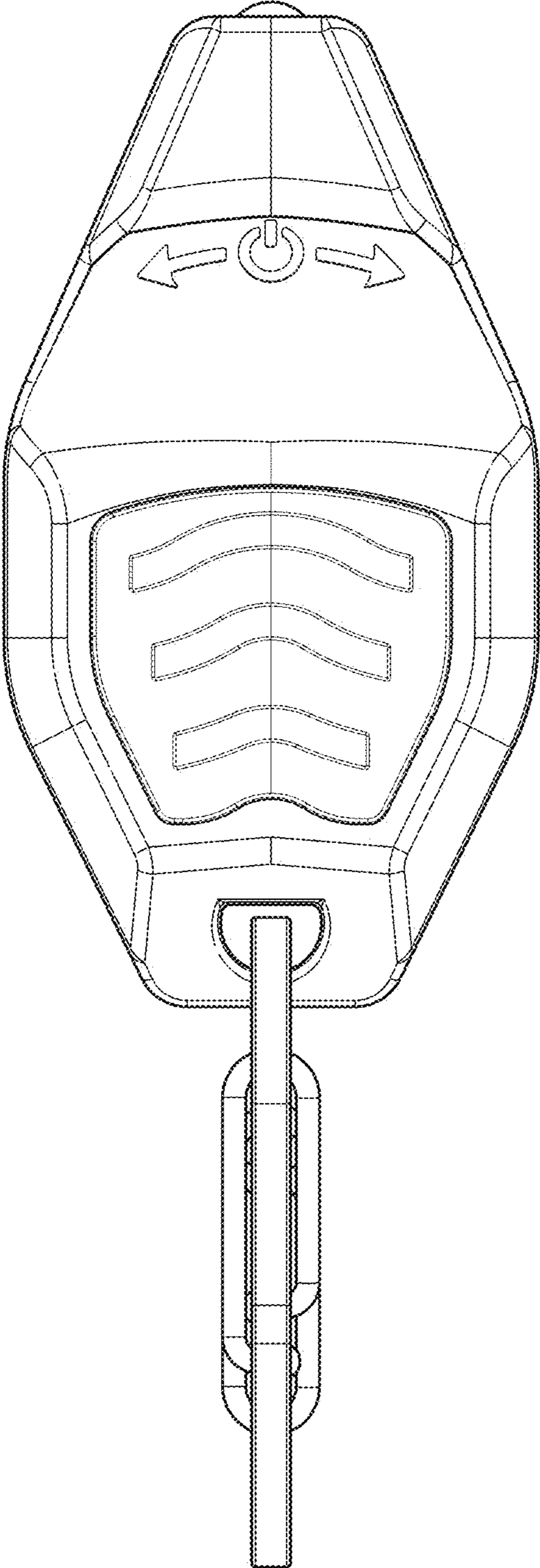


FIG. 5

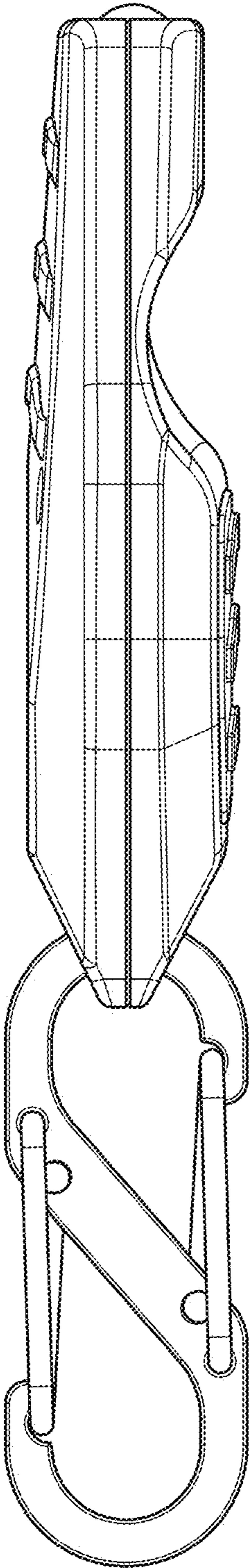


FIG. 6

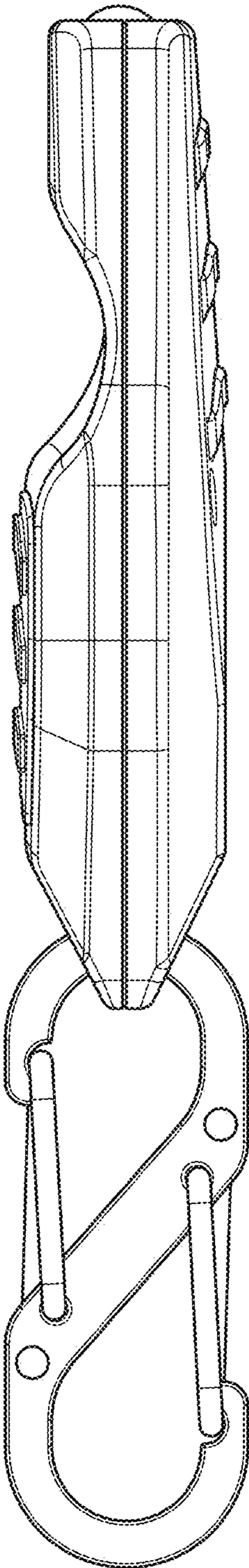


FIG. 7

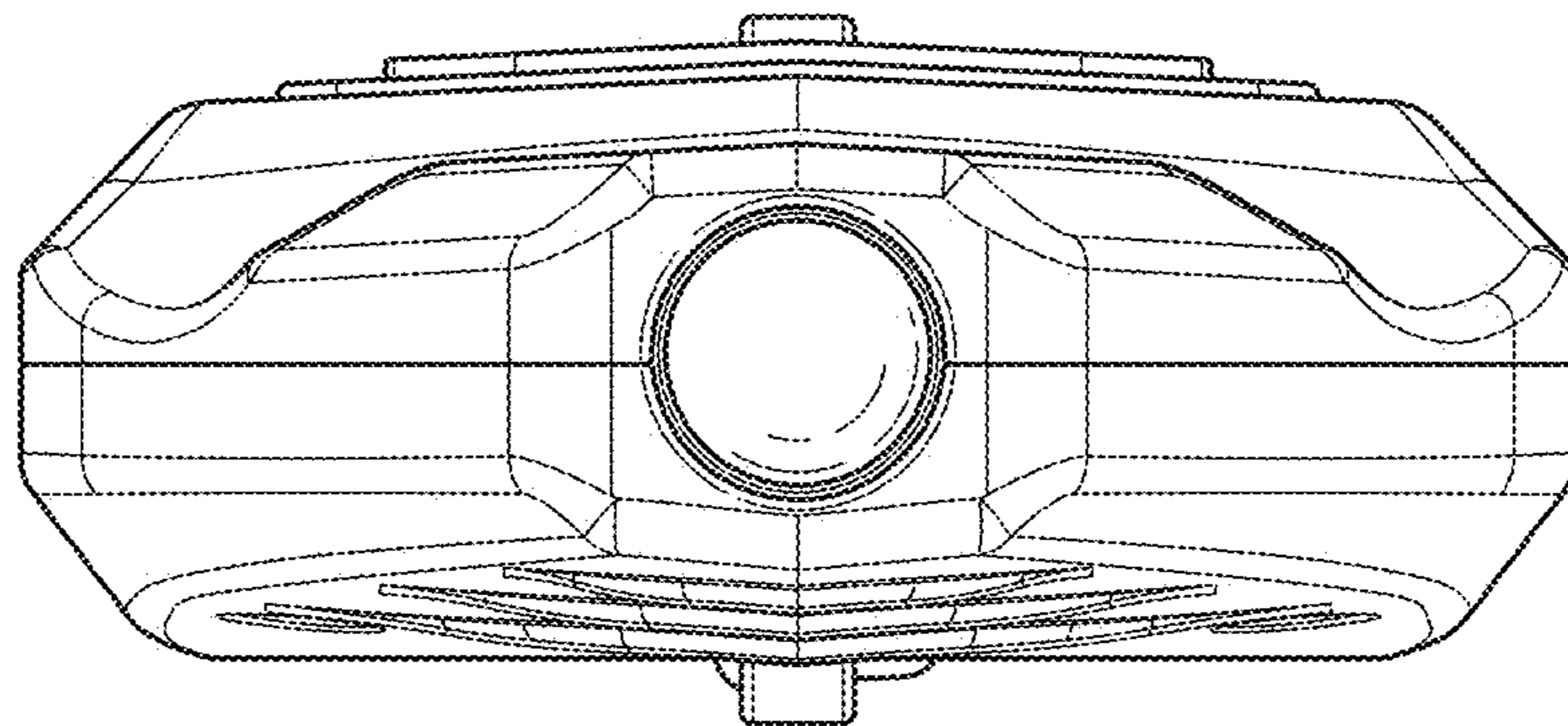


FIG. 8

