



US00D728836S

(12) **United States Design Patent**  
**Metlen et al.**

(10) **Patent No.:** **US D728,836 S**  
(45) **Date of Patent:** **\*\* May 5, 2015**

- (54) **INFLATABLE SOLAR-POWERED LANTERN**
- (71) Applicants: **Todd Metlen**, Ojai, CA (US); **Eli Probst**, Thousand Oaks, CA (US)
- (72) Inventors: **Todd Metlen**, Ojai, CA (US); **Eli Probst**, Thousand Oaks, CA (US)
- (\*\*) Term: **14 Years**
- (21) Appl. No.: **29/470,332**
- (22) Filed: **Oct. 19, 2013**
- (51) **LOC (10) Cl.** ..... **26-02**
- (52) **U.S. Cl.**  
USPC ..... **D26/41**
- (58) **Field of Classification Search**  
USPC ..... D26/37, 38, 40, 41, 46, 49, 51, 42, 92,  
D26/104; 362/171, 352, 157, 158, 183, 184,  
362/194–196, 200–208, 253  
See application file for complete search history.

D589,204	S	*	3/2009	Sabernig	.....	D26/104
7,513,638	B2		4/2009	Allsop et al.		
7,524,079	B2		4/2009	Greenhoe		
D622,430	S	*	8/2010	Chilton	.....	D26/41
7,857,490	B1		12/2010	Fett et al.		
D638,152	S	*	5/2011	Leung	.....	D26/40
D639,494	S	*	6/2011	Schrimmer	.....	D26/104
D645,400	S	*	9/2011	Chen	.....	D13/102
8,192,044	B2		6/2012	Allsop et al.		
8,256,916	B2		9/2012	Richmond		
D670,646	S	*	11/2012	Canova	.....	D13/104
D673,869	S	*	1/2013	Yu	.....	D10/114.2
D687,591	S	*	8/2013	Chilton et al.	.....	D26/93
D691,311	S	*	10/2013	Chen	.....	D26/40
D691,323	S	*	10/2013	Tang et al.	.....	D26/124
D693,520	S	*	11/2013	Xu	.....	D30/104
8,657,461	B2	*	2/2014	Allsop et al.	.....	362/183
8,678,601	B2	*	3/2014	Morris et al.	.....	362/17
D706,968	S	*	6/2014	McDonough et al.	.....	D26/41
2002/0053879	A1		5/2002	Thoma et al.		
2008/0316732	A1	*	12/2008	Blake	.....	362/101
2012/0281393	A1		11/2012	Allsop et al.		

\* cited by examiner

*Primary Examiner* — Ian Simmons

*Assistant Examiner* — Carissa C Fitts

(74) *Attorney, Agent, or Firm* — Sterne, Kessler, Goldstein & Fox P.L.L.C.

(56) **References Cited**  
U.S. PATENT DOCUMENTS

D242,943	S		1/1977	Lazerson		
D251,631	S		4/1979	Zelina		
D252,051	S		6/1979	Luen		
D253,194	S		10/1979	Watley		
D254,155	S		2/1980	Allen		
D256,278	S		8/1980	Wong et al.		
D257,540	S		11/1980	Yip		
D263,630	S		3/1982	Wong		
D309,787	S	*	8/1990	Chien	.....	D26/67
D397,470	S	*	8/1998	Bassford et al.	.....	D26/67
D465,874	S	*	11/2002	Garvin et al.	.....	D26/104
D469,900	S	*	2/2003	Galli	.....	D26/37
D485,003	S	*	1/2004	Olson	.....	D26/104
D514,012	S	*	1/2006	Philippeau et al.	.....	D11/79
D516,501	S	*	3/2006	Ware, Jr.	.....	D13/102
D544,117	S	*	6/2007	Coushaine	.....	D26/37
D577,836	S	*	9/2008	Engebrigtsen	.....	D26/24

(57) **CLAIM**

The ornamental design for an inflatable solar-powered lantern, as shown and described.

**DESCRIPTION**

FIG. 1 is a front perspective view of an inflatable solar-powered lantern showing our new design;  
FIG. 2 is a top view thereof;  
FIG. 3 is a side view thereof; and,  
FIG. 4 is a bottom view thereof.  
The broken lines form no part of the claimed design.

**1 Claim, 2 Drawing Sheets**

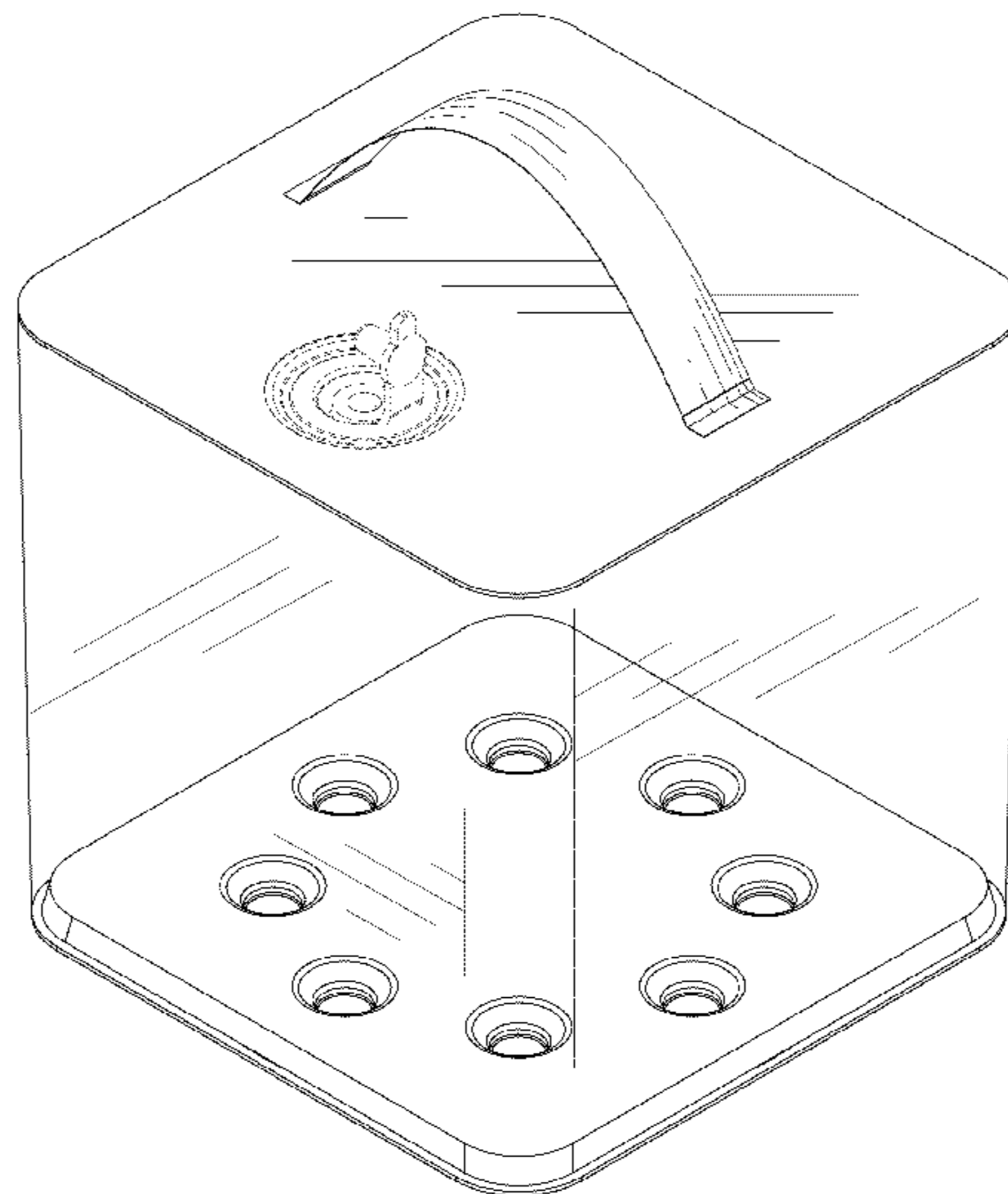


FIG. 1

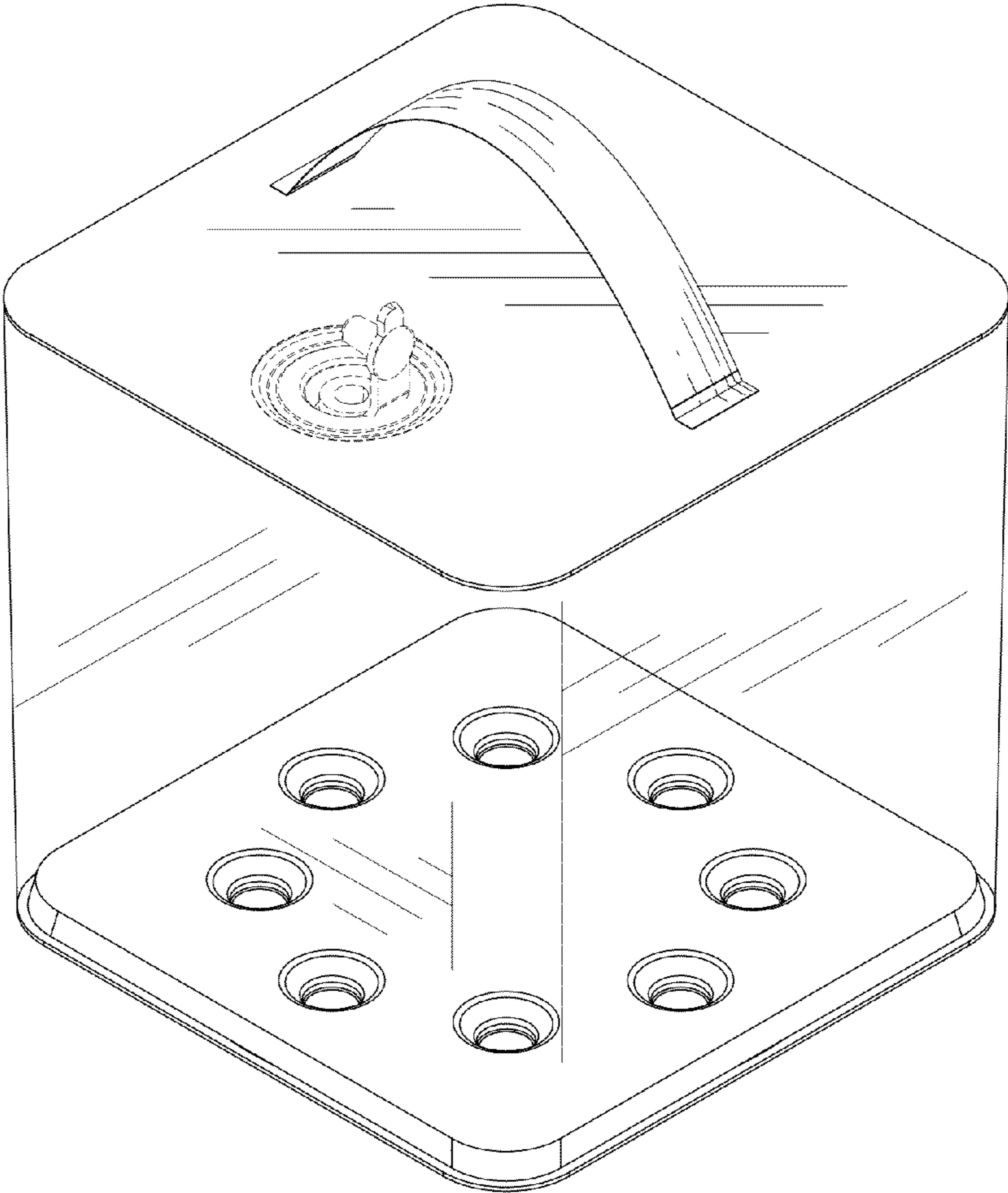


FIG. 2

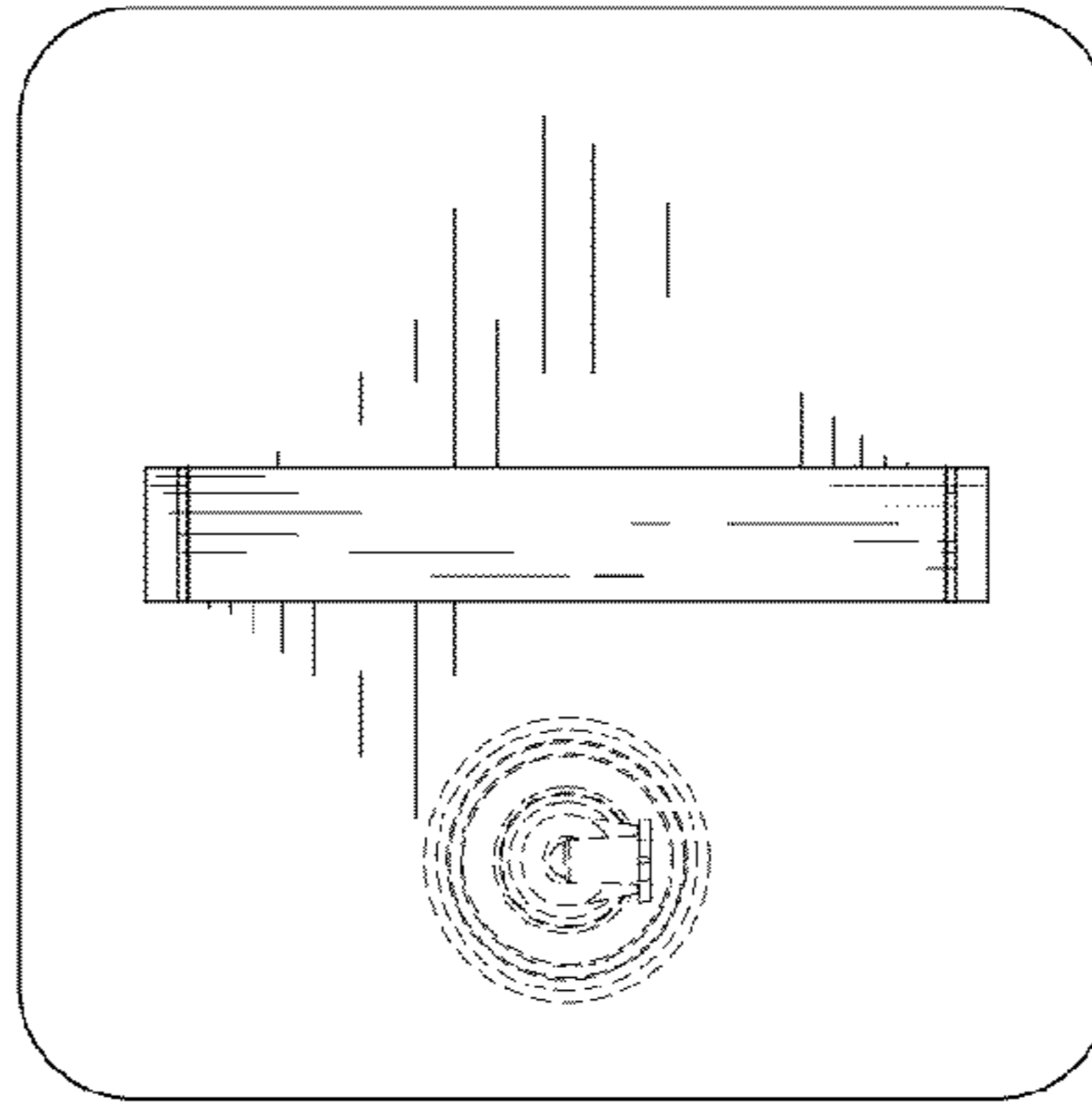


FIG. 3

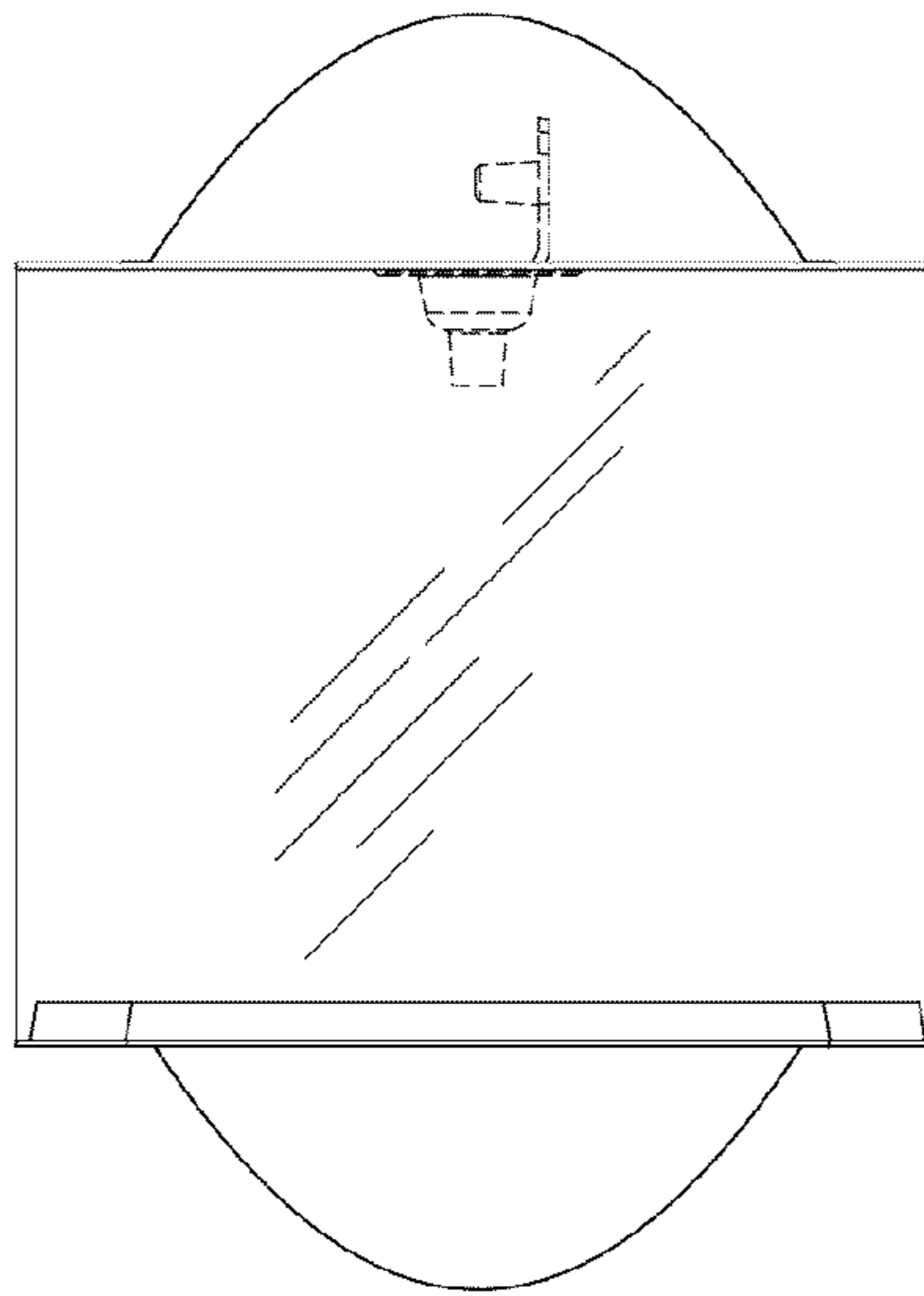


FIG. 4

