



US00D728831S

(12) **United States Design Patent**  
**Rodriguez**

(10) **Patent No.:** **US D728,831 S**

(45) **Date of Patent:** **\*\* \*May 5, 2015**

(54) **POST STRAP STABILIZER**

(71) Applicant: **VMR Product Group**, San Antonio, TX (US)

(72) Inventor: **Eloy Rodriguez**, San Antonio, TX (US)

(73) Assignee: **VMR Product Group**, San Antonio, TX (US)

(\*) Notice: This patent is subject to a terminal disclaimer.

(\*\*) Term: **14 Years**

(21) Appl. No.: **29/464,540**

(22) Filed: **Aug. 18, 2013**

(51) **LOC (10) Cl.** ..... **25-01**

(52) **U.S. Cl.**  
USPC ..... **D25/133**

(58) **Field of Classification Search**  
USPC ..... D25/133, 128, 131; 52/698, 297, 699,  
52/700, 719; 256/65.14

See application file for complete search history.

(56) **References Cited**

**U.S. PATENT DOCUMENTS**

167,185 A 8/1875 McDonald  
748,946 A 1/1904 Hansberger

1,081,976 A	12/1913	McCain	
1,991,087 A	2/1935	Falcon	
3,550,343 A	12/1970	Buske	
4,793,110 A	12/1988	Tucker	
4,979,817 A	12/1990	Crisp, Sr.	
6,502,362 B1 *	1/2003	Zambelli et al. ....	52/698
D610,717 S *	2/2010	Lin .....	D25/133
7,726,091 B2 *	6/2010	Frohlich et al. ....	52/707
D634,448 S *	3/2011	Richmond .....	D25/133
D646,799 S *	10/2011	Yasher et al. ....	D25/133
8,037,651 B2 *	10/2011	Dent .....	52/296
2007/0267552 A1	11/2007	Meyer	

\* cited by examiner

*Primary Examiner* — Doris Clark

(74) *Attorney, Agent, or Firm* — Volk & McElroy, LLP;  
Michael D. Volk, Jr.

(57) **CLAIM**

The ornamental design for a post strap stabilizer, as shown.

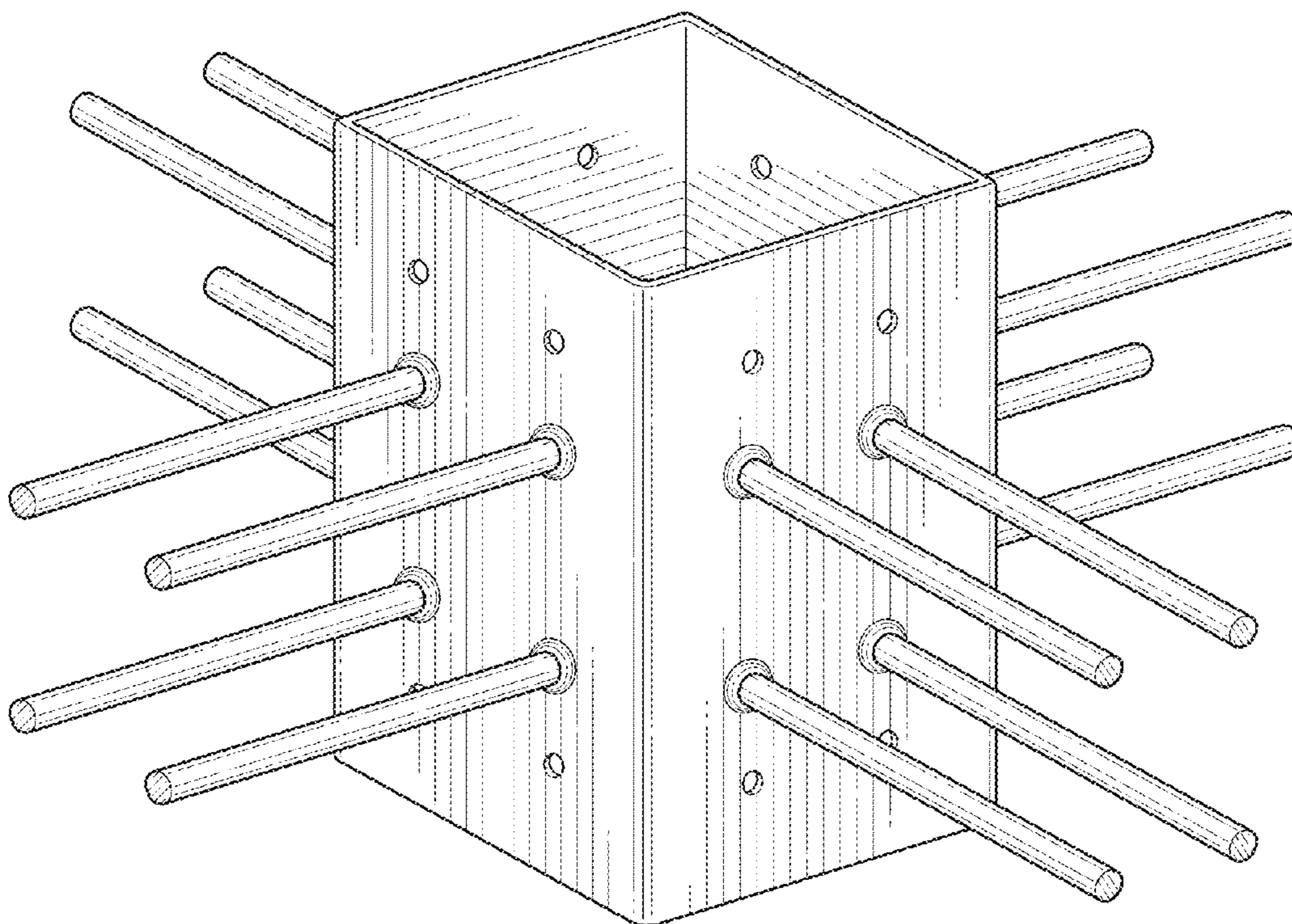
**DESCRIPTION**

FIG. 1 is a perspective view of a post strap stabilizer showing my new design;

FIG. 2 is a front view, the left side, right side, and rear views are identical thereto; and,

FIG. 3 is a top view, the bottom view is identical thereto.

**1 Claim, 2 Drawing Sheets**



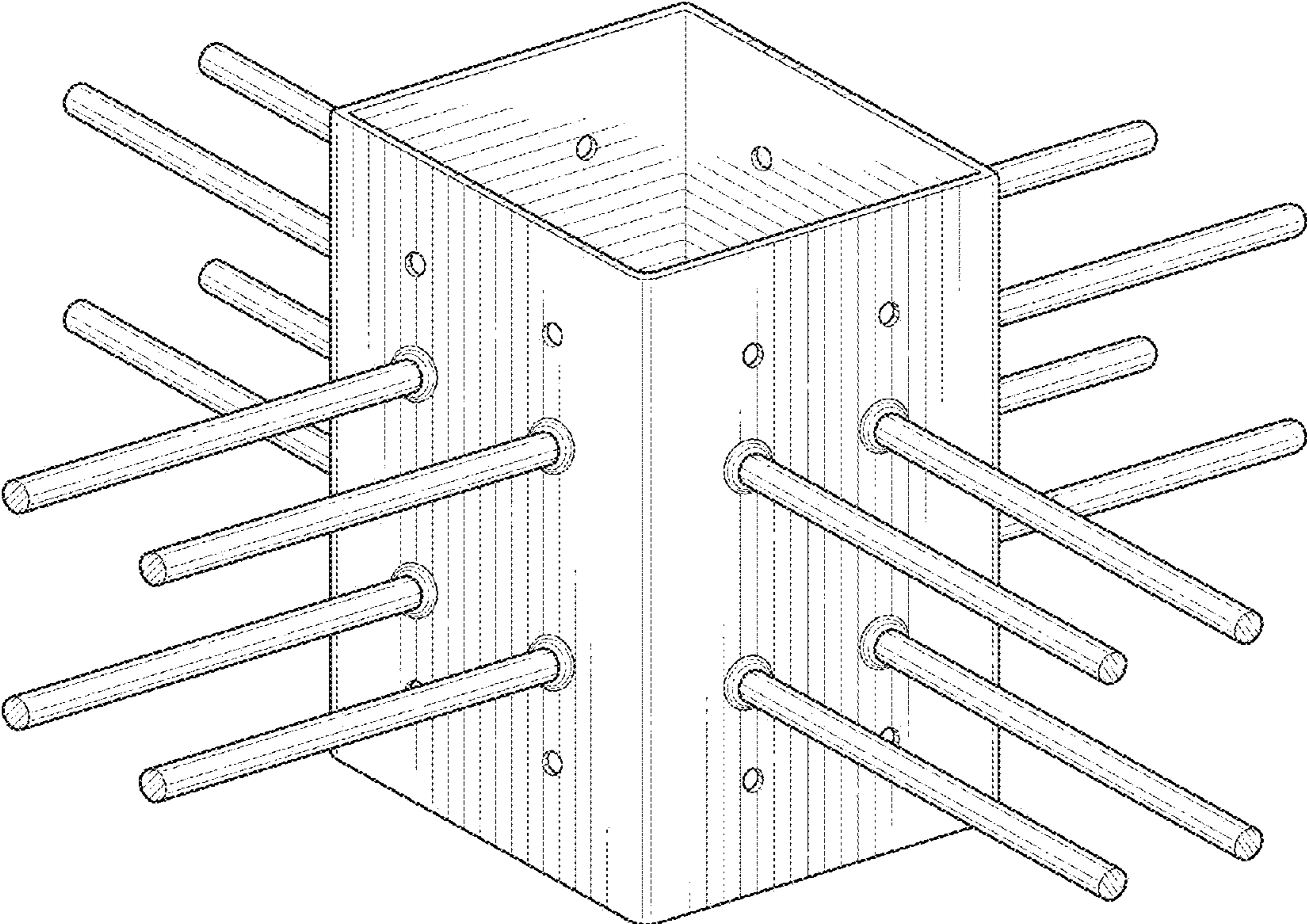


FIG. 1

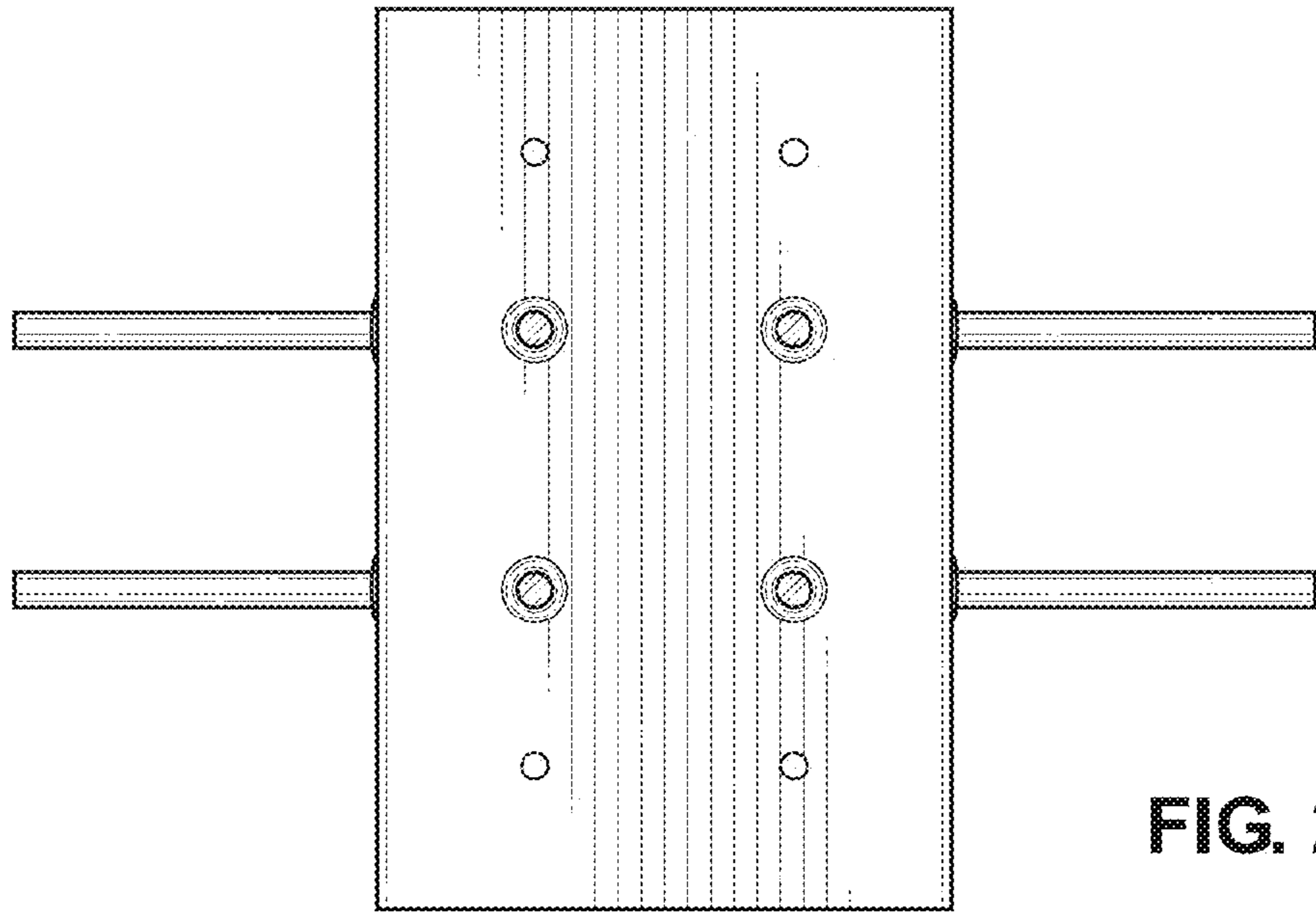


FIG. 2

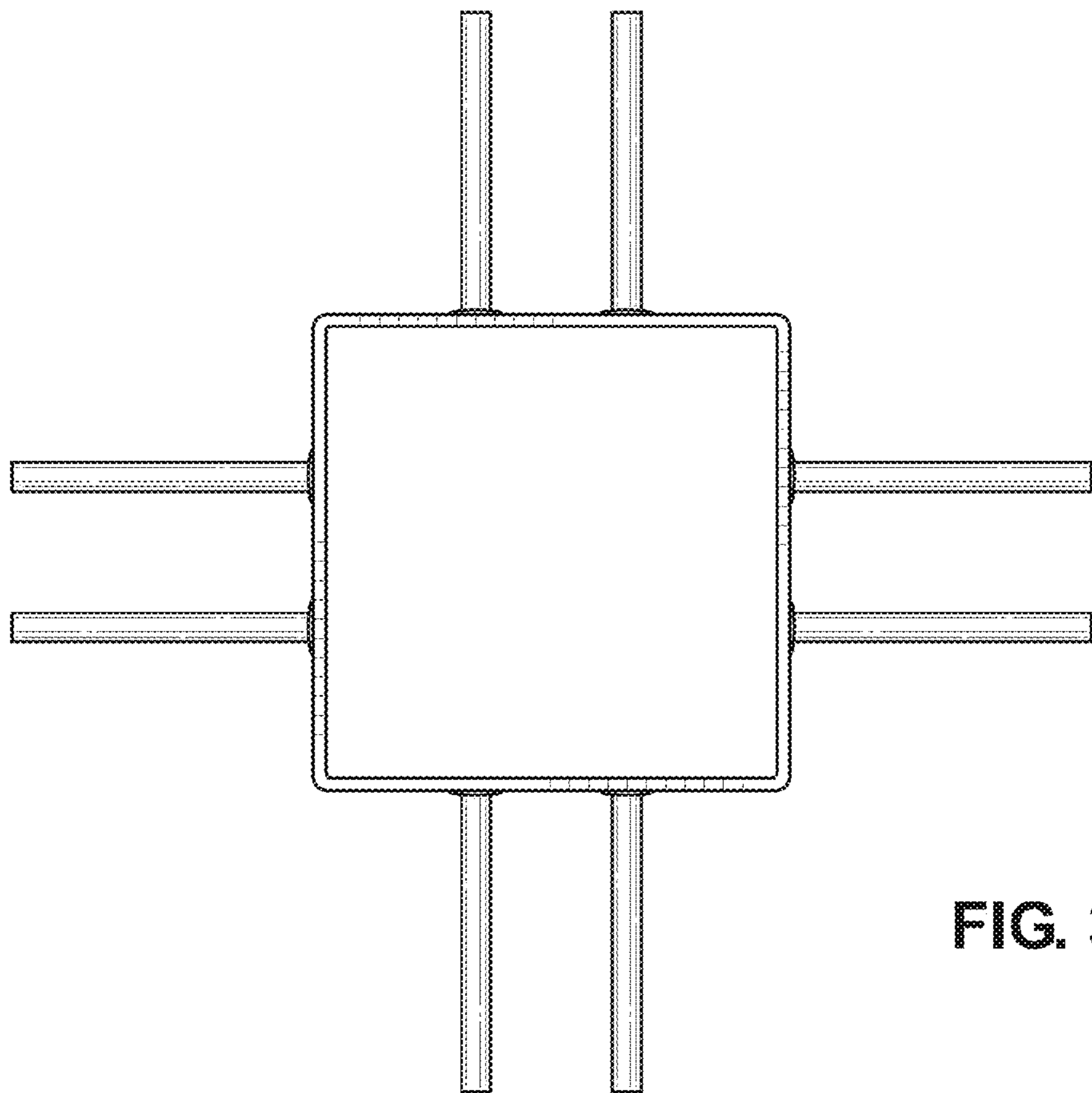


FIG. 3