



US00D728829S

(12) **United States Design Patent**  
**Canales**

(10) **Patent No.:** **US D728,829 S**

(45) **Date of Patent:** **\*\* May 5, 2015**

(54) **PANEL WITH PLAID MIRAGE PATTERN**

(56) **References Cited**

(71) Applicant: **3form, Inc.**, Salt Lake City, UT (US)

U.S. PATENT DOCUMENTS

(72) Inventor: **Jill Canales**, Salt Lake City, UT (US)

3,643,392 A \* 2/1972 Martinez ..... 52/262

D488,565 S \* 4/2004 Bresciani ..... D25/111

D666,314 S \* 8/2012 Walsh ..... D25/103

(73) Assignee: **3form, LLC**, Salt Lake City, UT (US)

\* cited by examiner

(\*\*) Term: **14 Years**

*Primary Examiner* — Doris Clark

(21) Appl. No.: **29/471,195**

(74) *Attorney, Agent, or Firm* — Workman Nydegger

(22) Filed: **Oct. 29, 2013**

(57) **CLAIM**

The ornamental design for a panel with plaid mirage pattern, as shown and described.

(51) **LOC (10) Cl.** ..... **25-01**

**DESCRIPTION**

(52) **U.S. Cl.**

USPC ..... **D25/111**; D6/332; D25/138

(58) **Field of Classification Search**

USPC ..... D25/111, 138–145, 150–153, 156, 157, D25/163, 199, 102–105, 110, 58; D5/20, D5/24, 32, 54, 4, 7; 156/63; 52/81.4, 81.5, 52/81.6, 747.1, 783.11, 311.1, 313, 311.2, 52/316, 239, 241, 481.2, 789.1, 788.1, 52/238.1, 243, 243.1, 262, 242, 385; 428/34, 34.1–34.9, 35.7, 36.1–36.4, 428/67, 446, 542.2, 542.6, 902, 904.4, 143, 428/147, 13, 332, 335, 336, 339, 480, 483, 428/195.1, 38, 46, 49; D6/332

FIG. 1 is a front perspective view of a panel with plaid mirage pattern as used in a partition structure;

FIG. 2 is a front view thereof;

FIG. 3 is a left side sectional view taken along line 3-3 of FIG. 2;

FIG. 4 is a right side sectional view taken along line 4-4 of FIG. 2;

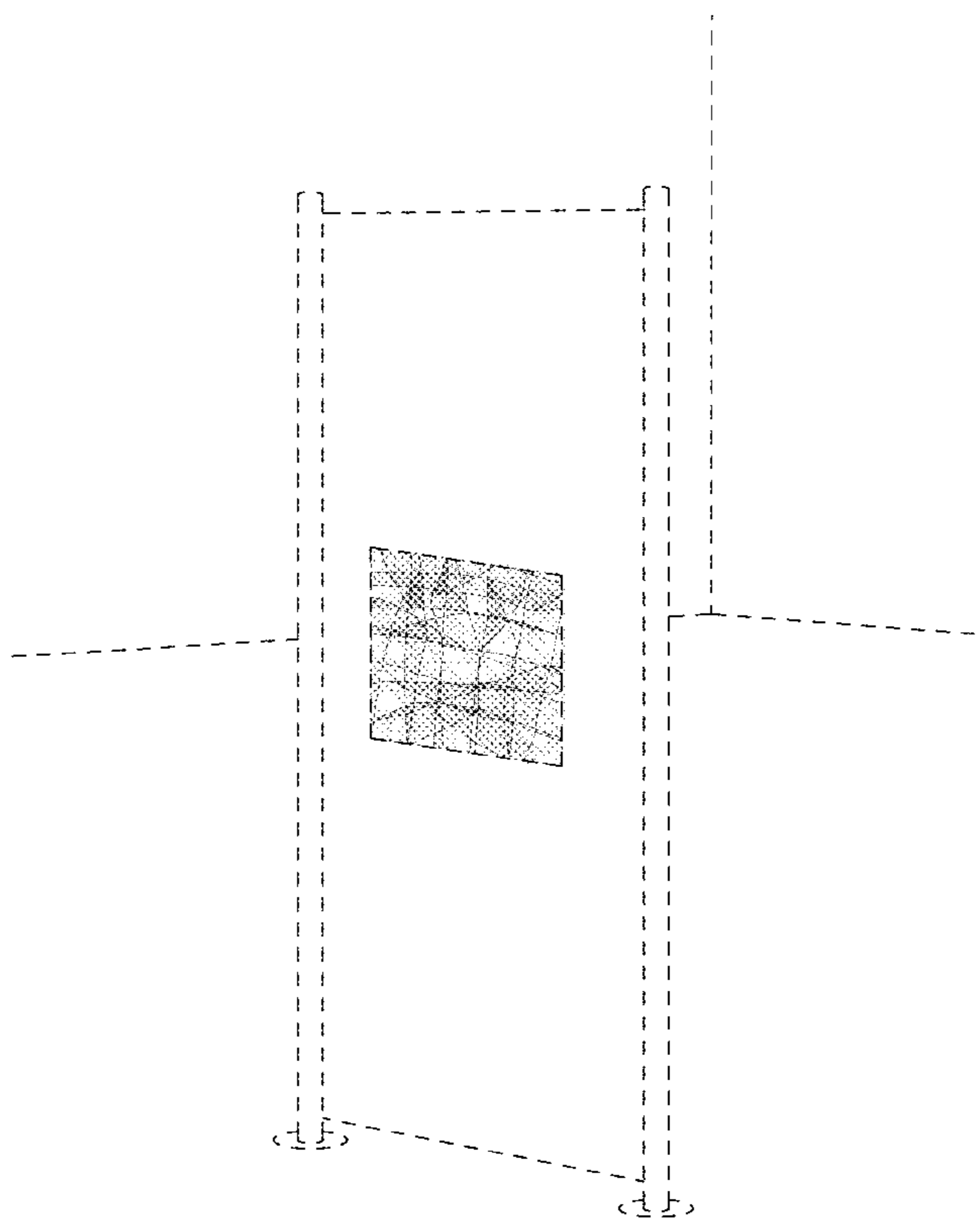
FIG. 5 is a top plan sectional view taken along line 5-5 of FIG. 2; and,

FIG. 6 is a bottom plan sectional view taken along line 6-6 of FIG. 2.

The broken lines showing environment in the drawings are included for illustrative purposes only and form no part of the claimed design.

See application file for complete search history.

**1 Claim, 2 Drawing Sheets**



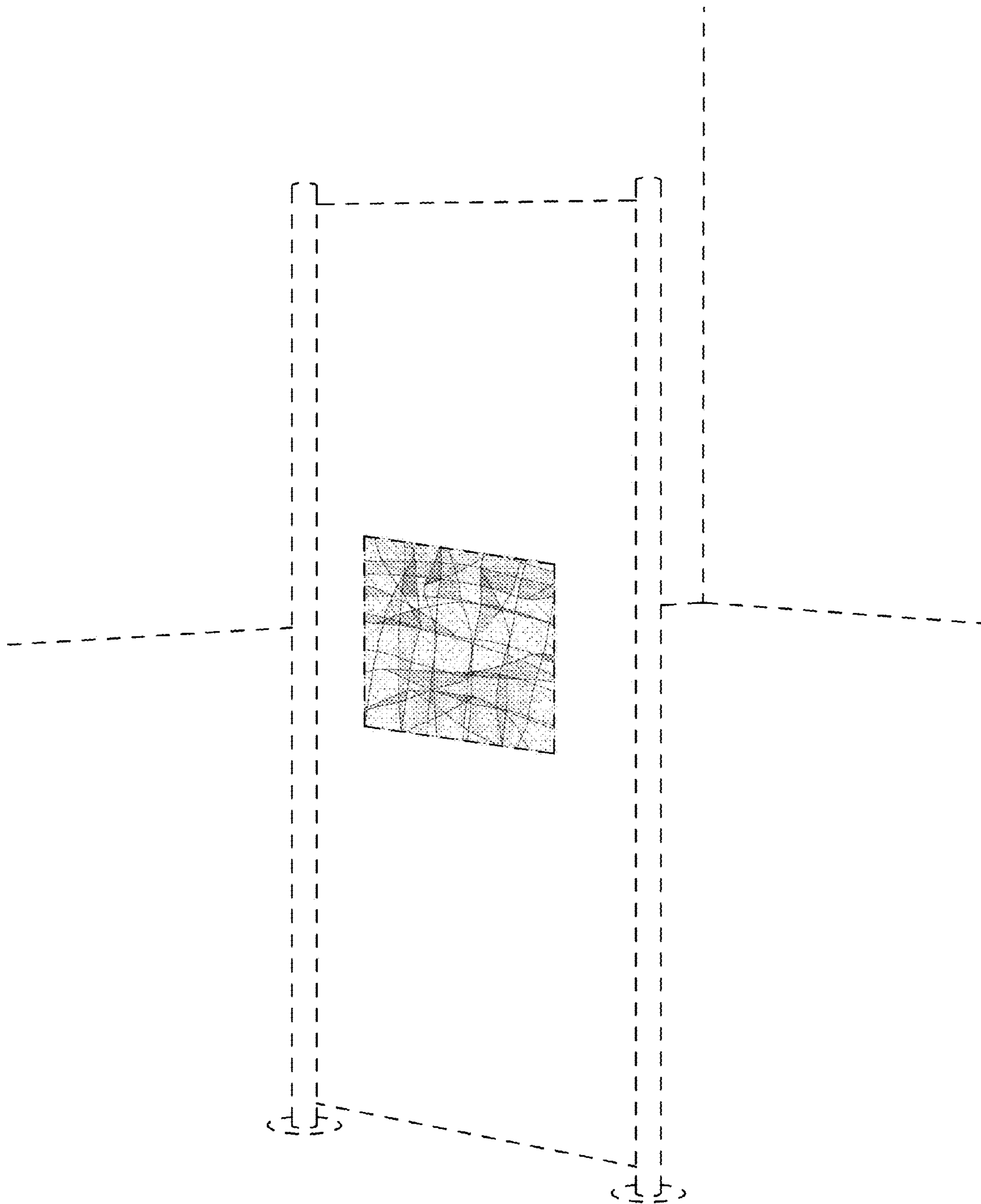


FIG. 1

