



US00D728816S

(12) **United States Design Patent**
Wainwright et al.

(10) **Patent No.:** **US D728,816 S**

(45) **Date of Patent:** **** May 5, 2015**

(54) **CUP**

(56) **References Cited**

(71) Applicants: **Charles River Laboratories, Inc.**,
Wilmington, MA (US); **ReaMetrix Inc.**,
San Carlos, CA (US)

U.S. PATENT DOCUMENTS

(72) Inventors: **Norman R. Wainwright**, Johns Island,
SC (US); **Bala S. Manian**, Los Altos
Hills, CA (US); **Eric Stimpson**,
Charleston, SC (US); **Brian J. Kolonia**,
Walnutport, PA (US); **Robert K.
Kolonia**, Milford, NJ (US)

| | | | | | | |
|--------------|----|---|---------|------------------|-------|---------|
| D248,916 | S | * | 8/1978 | Reynolds et al. | | D7/523 |
| D297,366 | S | * | 8/1988 | Hsei | | D24/226 |
| D310,123 | S | * | 8/1990 | Carlson | | D24/162 |
| D318,078 | S | * | 7/1991 | Laib et al. | | D21/472 |
| D435,906 | S | * | 1/2001 | Wilkinson et al. | | D24/216 |
| D476,857 | S | * | 7/2003 | Holsinger | | D7/523 |
| D546,626 | S | * | 7/2007 | Chou | | D7/523 |
| D612,688 | S | * | 3/2010 | Bardolet | | D7/523 |
| D618,819 | S | * | 6/2010 | Wilkinson et al. | | D24/226 |
| D623,764 | S | * | 9/2010 | Py et al. | | D24/224 |
| D695,416 | S | * | 12/2013 | Saliaris | | D24/224 |
| 2012/0058553 | A1 | * | 3/2012 | Haywood et al. | | 422/547 |

(73) Assignees: **Charles River Laboratories, Inc.**,
Wilmington, MA (US); **ReaMetrix, Inc.**,
San Carlos, CA (US)

* cited by examiner

(**) Term: **14 Years**

Primary Examiner — Anhdao Doan

(21) Appl. No.: **29/449,062**

(74) *Attorney, Agent, or Firm* — Goodwin Procter LLP

(22) Filed: **Mar. 14, 2013**

(57) **CLAIM**

The ornamental design for a cup, as shown and described.

(51) **LOC (10) Cl.** **24-01**

DESCRIPTION

(52) **U.S. Cl.**

USPC **D24/216; D24/224**

FIG. 1 is a perspective view of a cup with a lid illustrated in broken line;

(58) **Field of Classification Search**

USPC D24/216, 223, 224, 225, 226, 121, 162;
D9/503, 504, 529, 548, 549; D7/510,
D7/511, 523; 435/288.7, 308.1, 34;
422/547, 549, 500, 556, 557

FIG. 2 is a side view of the cup;

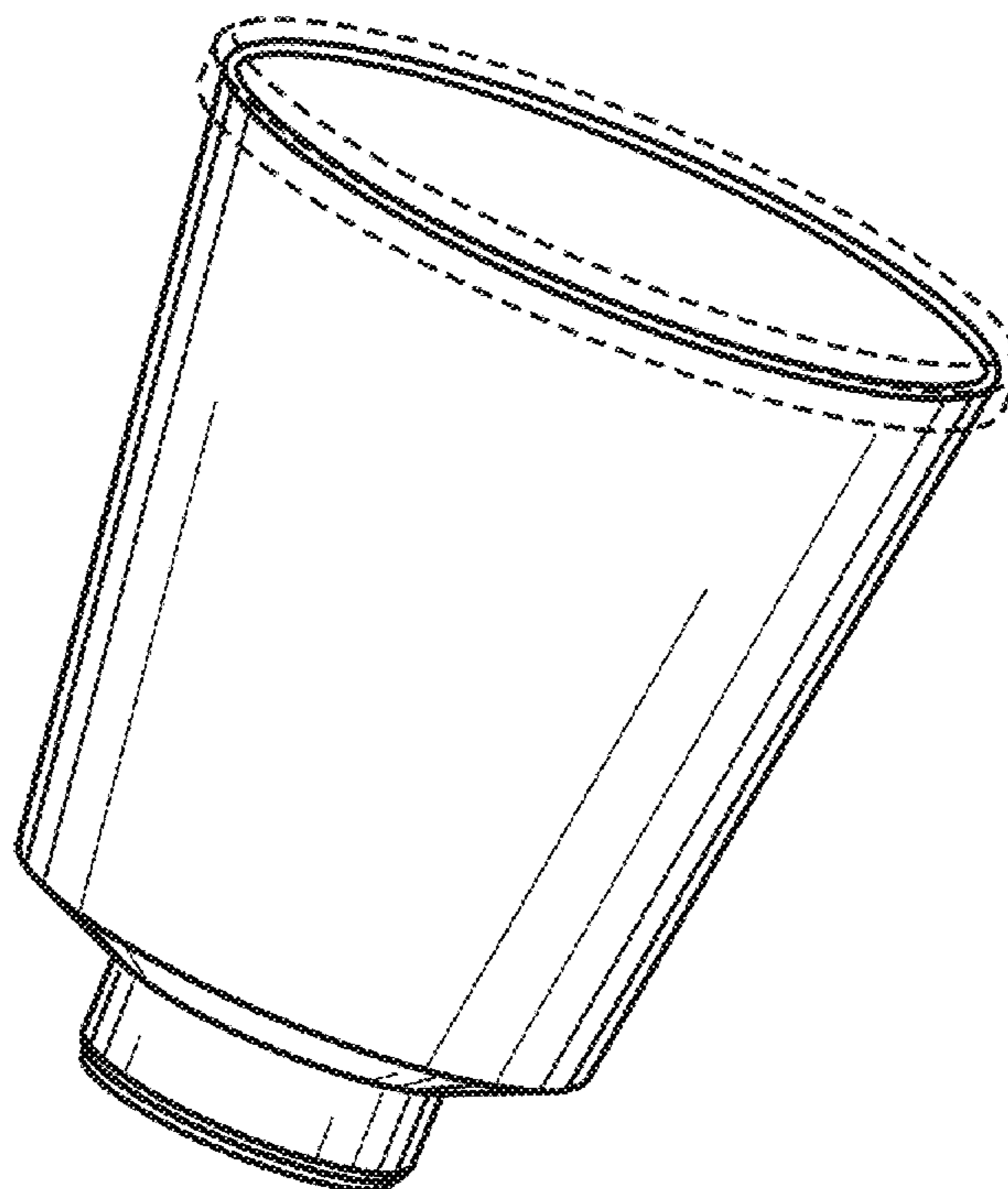
FIG. 3 is a top view of the cup; and,

FIG. 4 is a bottom view of the cup.

The broken lines in FIG. 1 represent environmental structure and form no part of the claimed design.

See application file for complete search history.

1 Claim, 2 Drawing Sheets



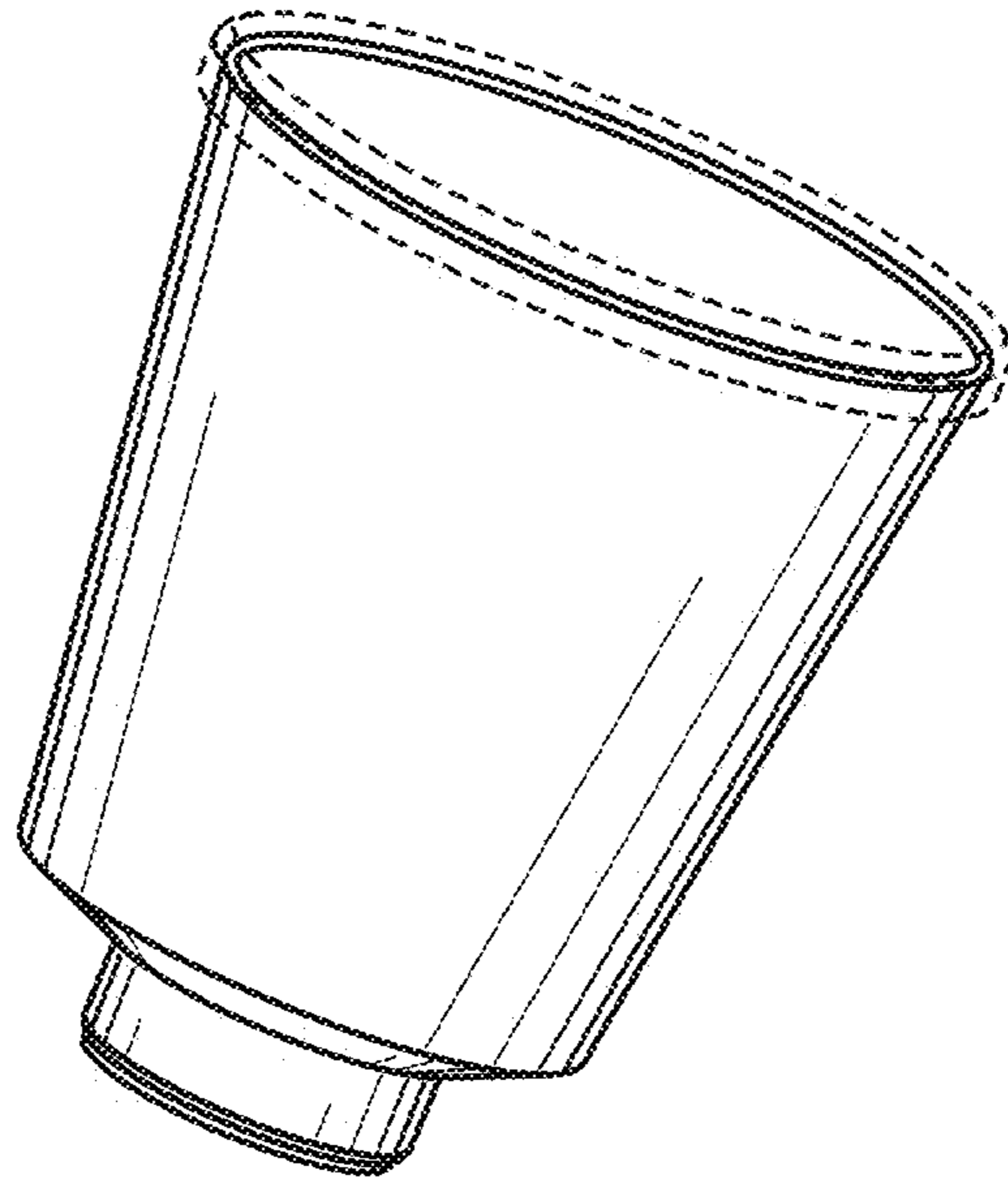


FIG. 1

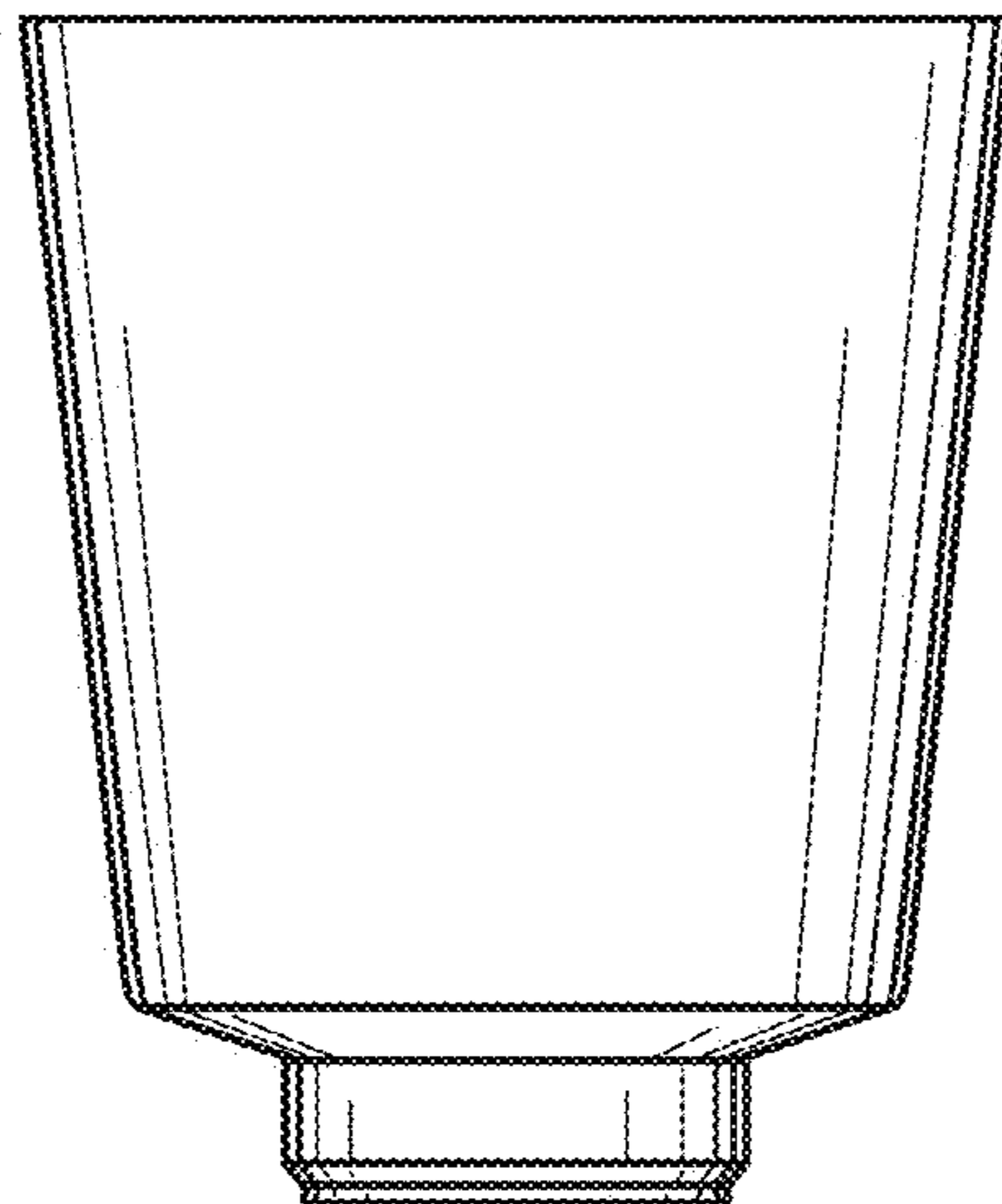


FIG. 2

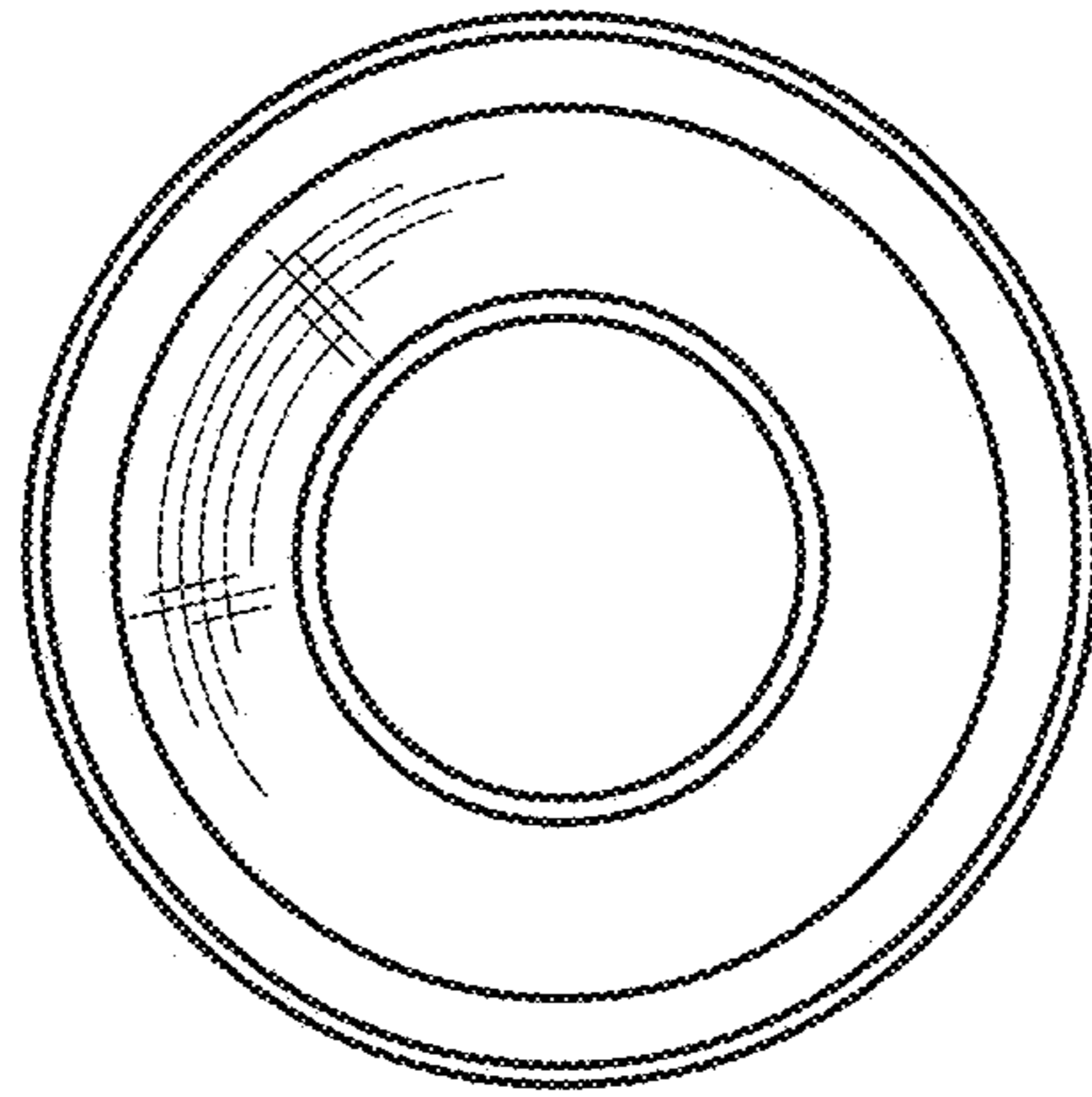


FIG. 3

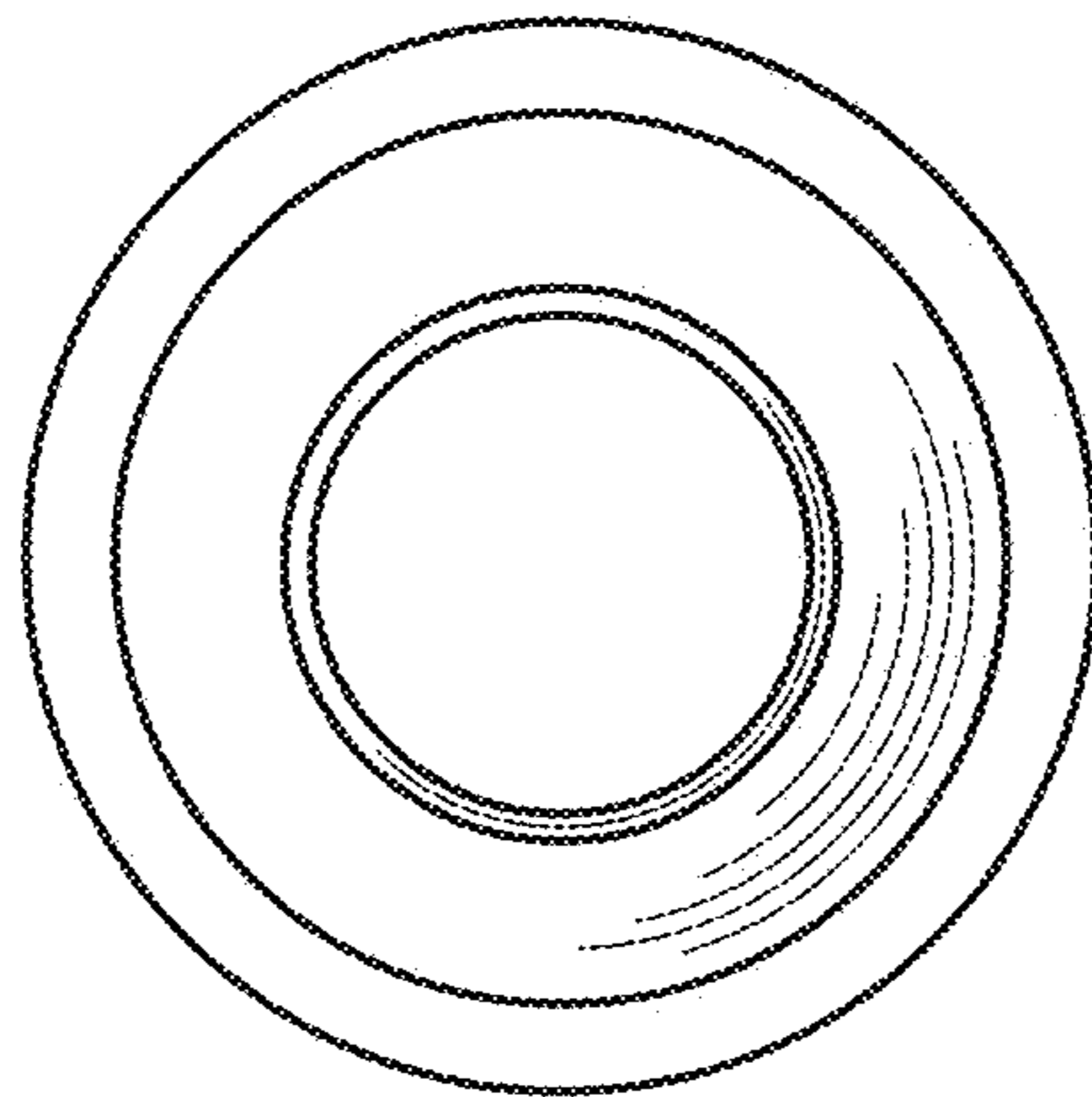


FIG. 4