



US00D728815S

(12) **United States Design Patent**
Haynes

(10) **Patent No.:** **US D728,815 S**

(45) **Date of Patent:** **** May 5, 2015**

(54) **SCALP SOOTHER**

(71) Applicant: **Crystal Ann Haynes**, Bellflower, CA
(US)

(72) Inventor: **Crystal Ann Haynes**, Bellflower, CA
(US)

(**) Term: **14 Years**

(21) Appl. No.: **29/453,033**

(22) Filed: **Apr. 24, 2013**

(51) **LOC (10) Cl.** **28-03**

(52) **U.S. Cl.**
USPC **D24/215**

(58) **Field of Classification Search**

CPC A61H 19/30; A61H 19/32; A61H 19/34;
A61H 19/40; A61H 19/44; A61H 19/50;
A61H 19/00; A61H 2201/0153; A61H
2201/0207; A61H 2201/0263; A61H
2201/0111; A61H 2201/1253; A61H
2205/082; A61H 2205/085; A61H 15/0085
USPC D24/200, 211, 212, 213, 214, 215;
601/114, 120, 121, 124, 125, 130, 131,
601/134, 135, 136, 137; D14/218; D9/719;
D28/7, 21, 39, 74

See application file for complete search history.

(56) **References Cited**

U.S. PATENT DOCUMENTS

D51,625 S * 12/1917 Alexis D28/39
D67,703 S * 6/1925 Jacobs D28/39
D67,704 S * 6/1925 Jacobs D28/39
1,586,031 A 5/1926 William
2,636,498 A 4/1953 Servilla
3,292,641 A * 12/1966 Quintanar 132/210
3,768,463 A 10/1973 Curry
5,285,774 A 2/1994 Stachurski
5,655,257 A 8/1997 Chavez

5,937,526 A 8/1999 Wahl et al.
D423,718 S * 4/2000 Shih-Ming D28/39
6,457,476 B1 10/2002 Elmer et al.
D481,168 S 10/2003 Shannon
D495,089 S * 8/2004 Tomaro D28/21
6,997,889 B1 2/2006 Thomas
7,013,900 B2 * 3/2006 Silva 132/200
D593,710 S * 6/2009 Wise et al. D28/30
D601,751 S * 10/2009 Day D28/30
D667,997 S * 9/2012 Stewart D28/42
D669,217 S * 10/2012 Hsu D28/39
D674,136 S * 1/2013 Stewart D28/42
8,342,188 B2 1/2013 Pabari et al.
8,678,017 B2 * 3/2014 Arpey et al. 132/144
2004/0097890 A1 5/2004 Wilkinson
2011/0108048 A1 5/2011 Park
2011/0245811 A1 10/2011 Sabal
2012/0121313 A1 5/2012 Thiebaut
2012/0288351 A1 11/2012 Nirmel
2013/0042880 A1 2/2013 Arpey et al.

* cited by examiner

Primary Examiner — Sandra Snapp

(74) *Attorney, Agent, or Firm* — Fish & Richardson P.C.

(57) **CLAIM**

The ornamental design for a scalp soother, as shown and described.

DESCRIPTION

FIG. 1 is a perspective view of a scalp soother from the side, showing my design;

FIG. 2 is a front view of the apparatus thereof;

FIG. 3 is a back view of the apparatus thereof;

FIG. 4 is a right side view of the apparatus thereof;

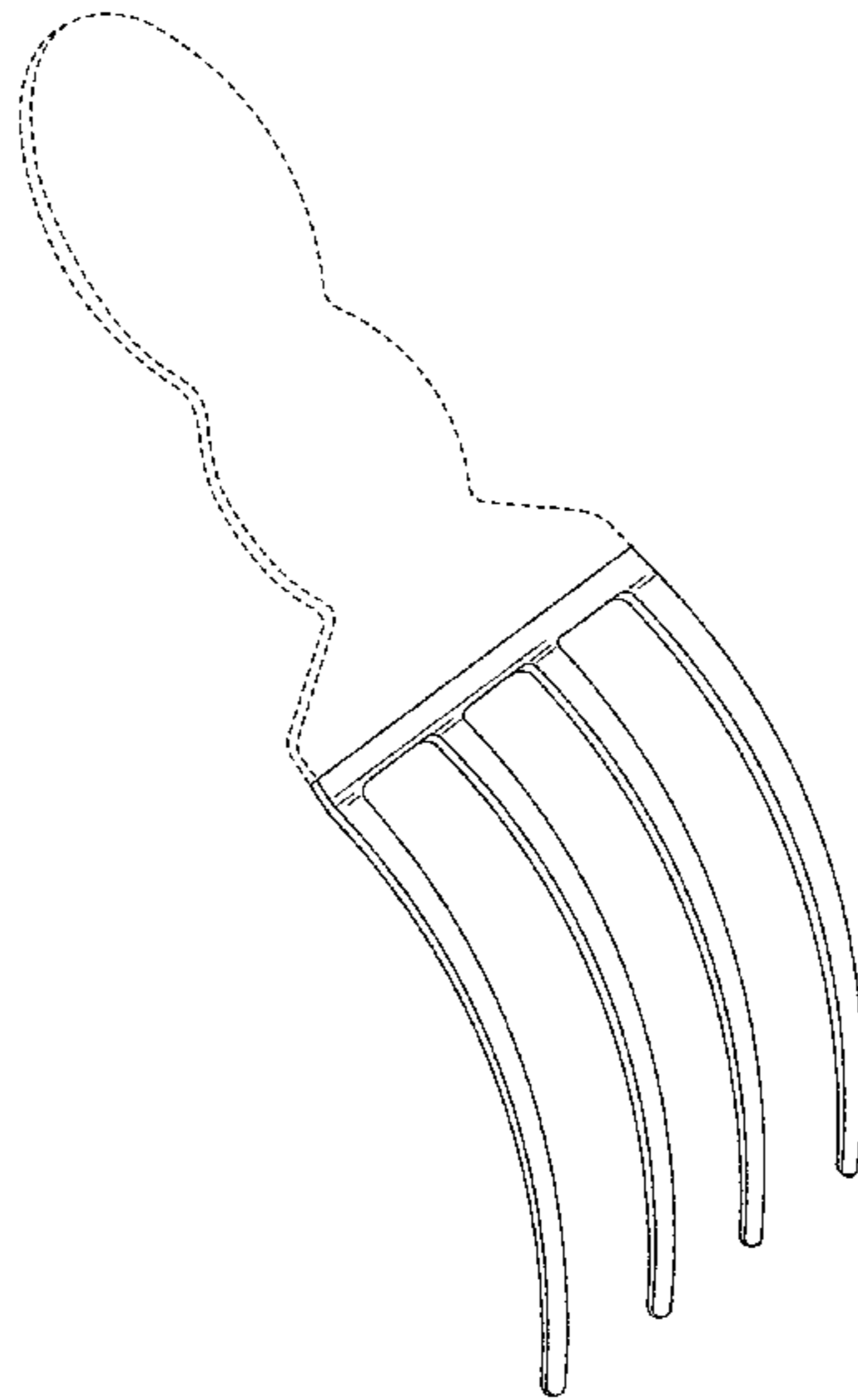
FIG. 5 is a left side view of the apparatus thereof;

FIG. 6 is a top view of the apparatus thereof; and,

FIG. 7 is a bottom view of the apparatus thereof.

The broken (dash) lines illustrate environmental features that form no part of the claimed design. The broken (dot-dash) lines indicate boundaries of the claimed design.

1 Claim, 3 Drawing Sheets



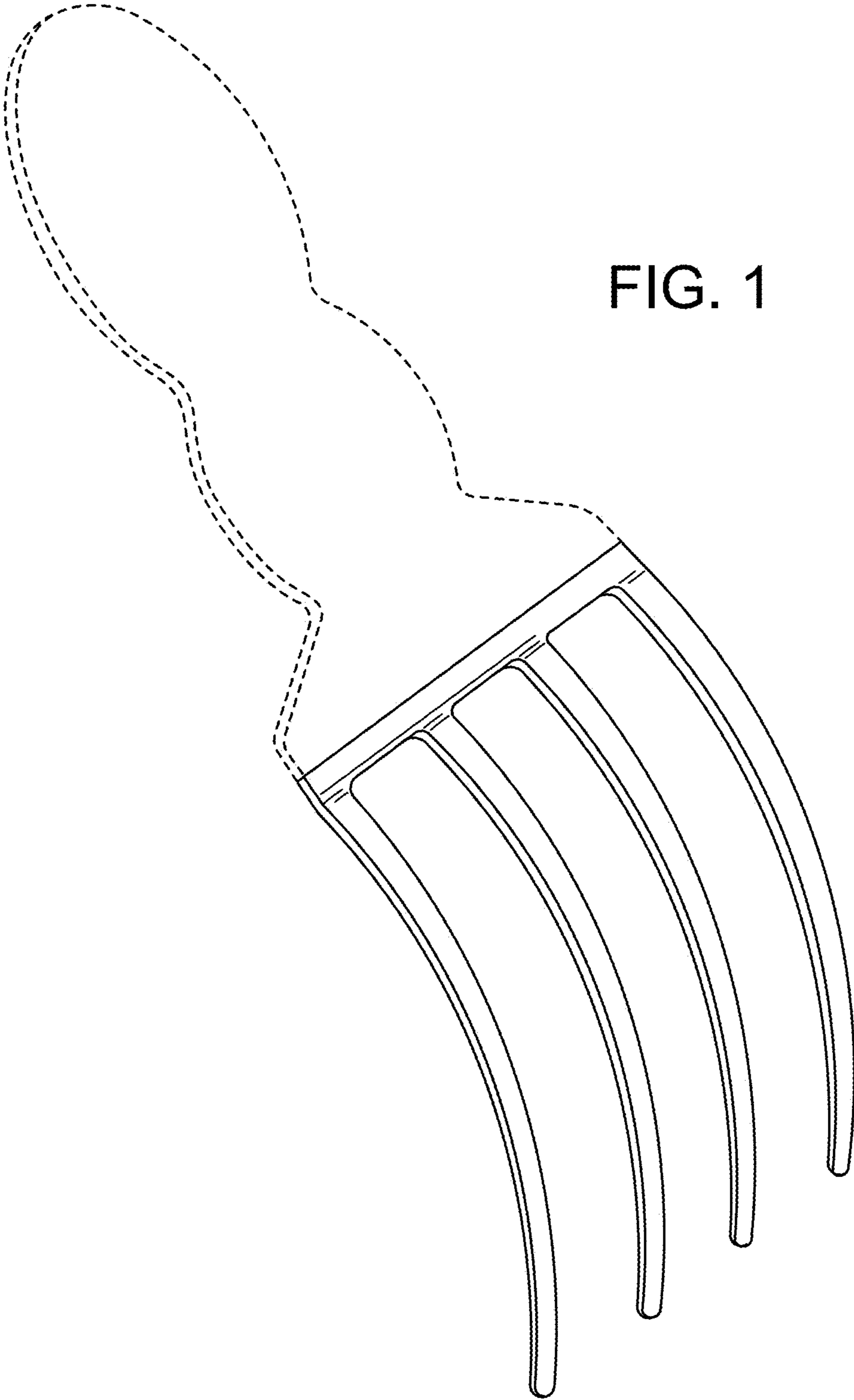


FIG. 1

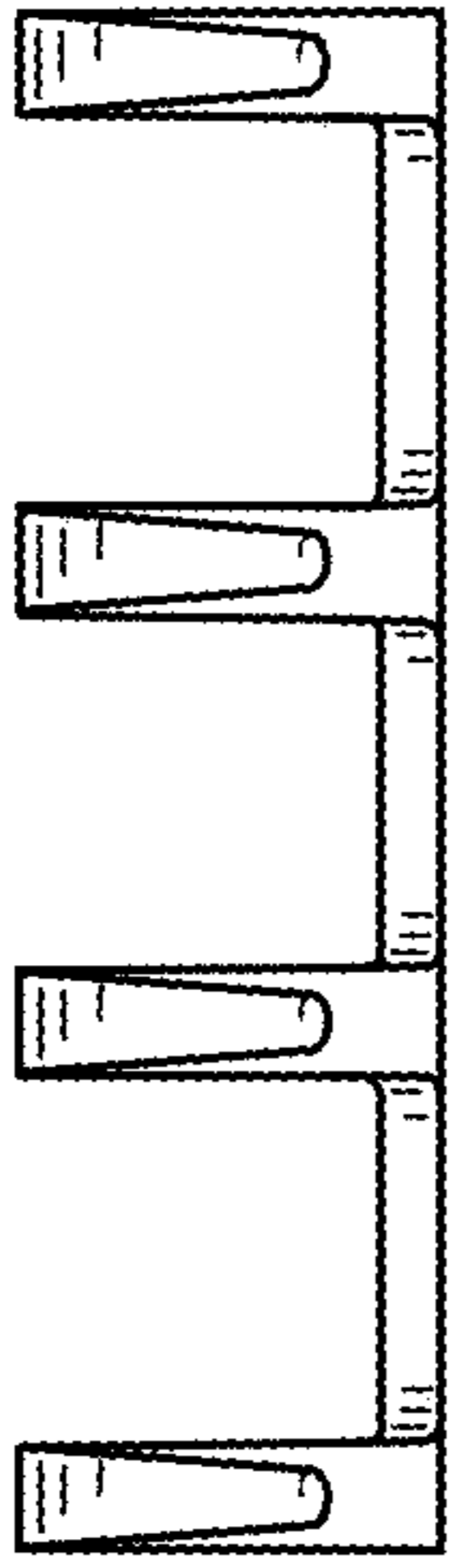


FIG. 2

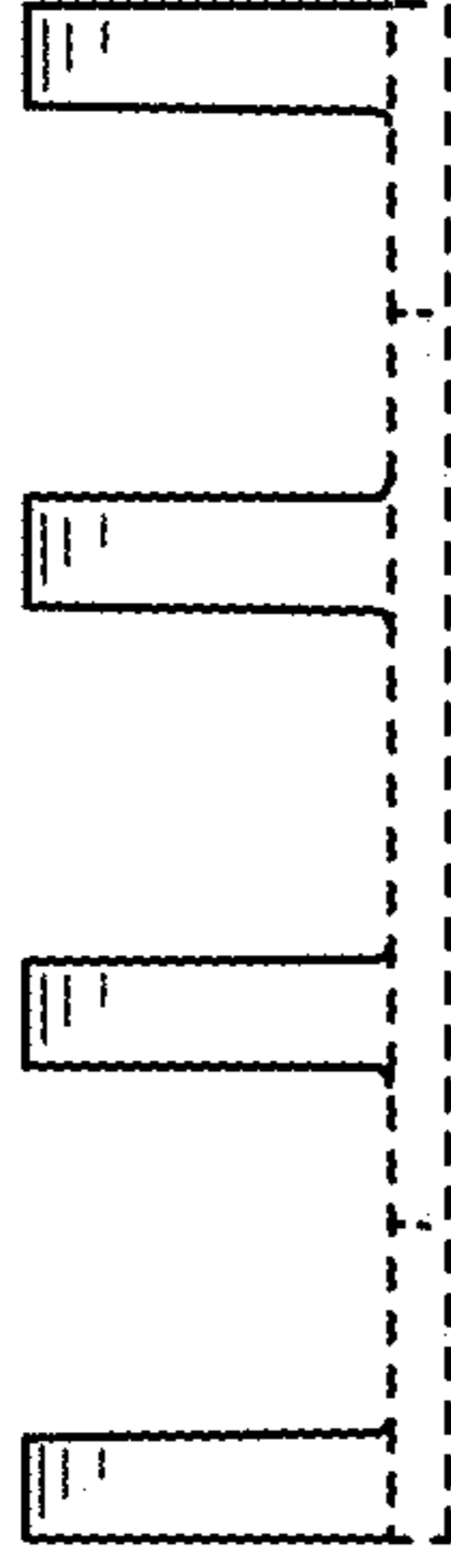


FIG. 3

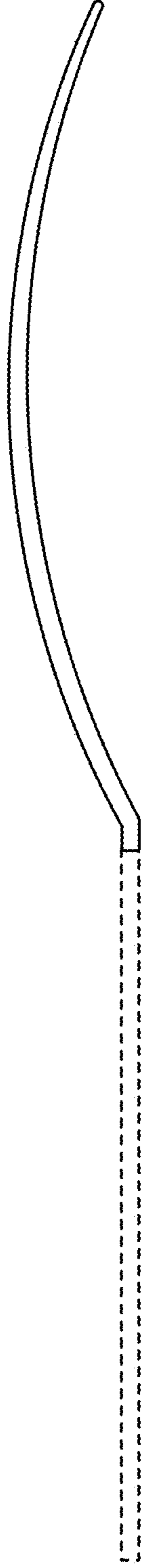


FIG. 4

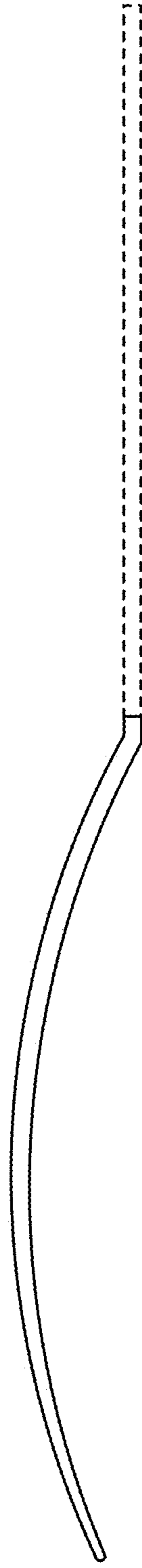


FIG. 5

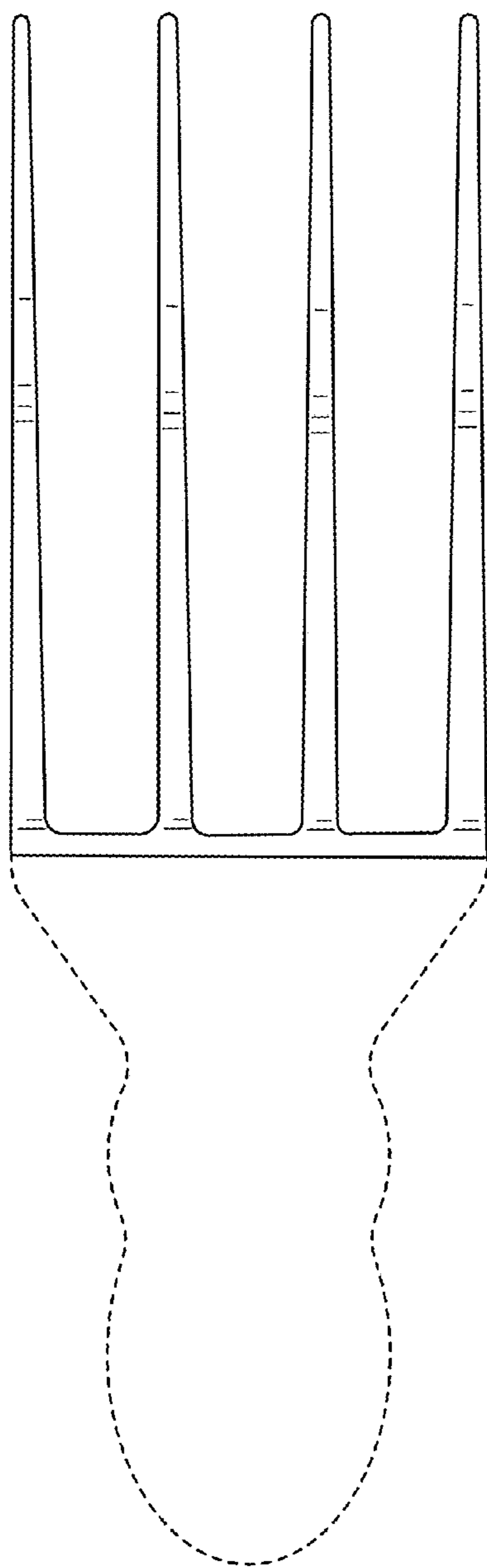


FIG. 6

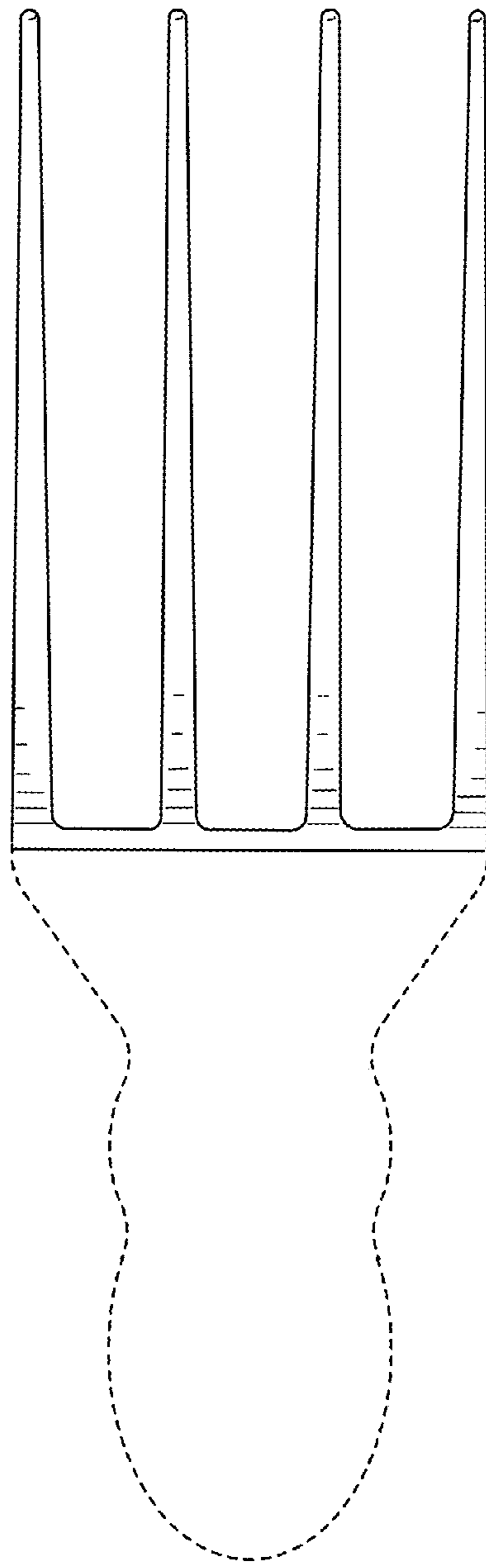


FIG. 7