



US00D728814S

(12) **United States Design Patent**
Pursel et al.

(10) **Patent No.:** **US D728,814 S**
(45) **Date of Patent:** **** May 5, 2015**

(54) **INSTRUMENT FOR TREATMENT OF SOFT TISSUE**

(71) Applicant: **Tissue Tools LLC**, Conshohocken, PA (US)

(72) Inventors: **Mark W. Pursel**, Grantville, PA (US);
Francis X. Osborne, West Conshohocken, PA (US)

(73) Assignee: **Tissue Tools LLC**, Conshohocken, PA (US)

(**) Term: **14 Years**

(21) Appl. No.: **29/510,681**

(22) Filed: **Dec. 2, 2014**

Related U.S. Application Data

(63) Continuation of application No. 29/492,882, filed on Jun. 3, 2014, now Pat. No. Des. 721,440, which is a continuation of application No. 13/385,610, filed on Apr. 21, 2011, now abandoned.

(51) **LOC (10) Cl.** **28-03**

(52) **U.S. Cl.**
USPC **D24/214**

(58) **Field of Classification Search**
CPC A61H 19/00; A61H 19/30; A61H 19/32;
A61H 19/34; A61H 19/40; A61H 19/44;
A61H 19/50
USPC D24/211–215; 601/114, 120, 121, 124,
601/125, 130, 131, 134, 135, 136, 137;
D28/91.2
See application file for complete search history.

(56) **References Cited**

U.S. PATENT DOCUMENTS

4,590,926 A * 5/1986 Courtin 601/137
4,892,091 A * 1/1990 Sullenger 601/137

5,231,977 A * 8/1993 Graston 601/34
D417,281 S * 11/1999 East D24/200
6,010,469 A * 1/2000 McAtee 601/135
6,077,239 A * 6/2000 Lin 601/137
D472,642 S * 4/2003 Henckel D24/211
D475,793 S * 6/2003 Tinsley D24/214
6,641,547 B2 * 11/2003 Sevier et al. 601/135
D524,445 S * 7/2006 Liang D24/214
D545,445 S * 6/2007 Klein D24/214
D548,356 S * 8/2007 Lai et al. D24/214
D615,210 S * 5/2010 Woodhams et al. D24/211
D624,193 S * 9/2010 Katzenberger D24/214
D633,627 S * 3/2011 Kambic D24/215
D634,022 S * 3/2011 Scappaticci D24/215
D638,549 S * 5/2011 Scappaticci D24/214
D645,568 S * 9/2011 Walker et al. D24/214

(Continued)

OTHER PUBLICATIONS

Graston Technique; Jan. 25, 2010; retrieved from: <https://web.archive.org/web/20100125103150/http://grastontechnique.com/AboutUs/>

(Continued)

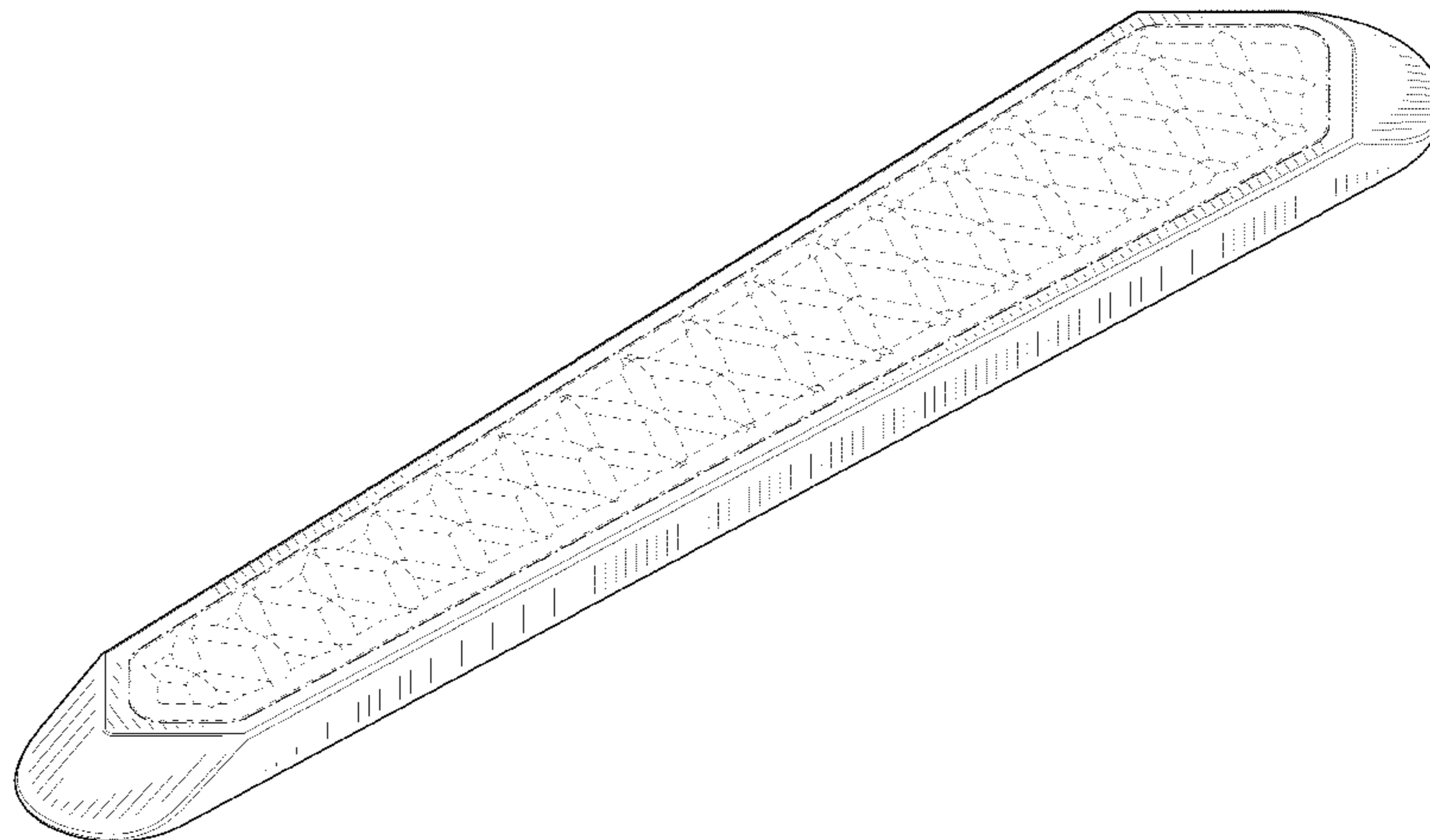
Primary Examiner — Sandra Snapp
(74) *Attorney, Agent, or Firm* — Design IP

(57) **CLAIM**
The ornamental design for an instrument for treatment of soft tissue, as shown and described.

DESCRIPTION

FIG. 1 is a front perspective view of an instrument for treatment of soft tissue showing our new design;
FIG. 2 is a front elevation view thereof;
FIG. 3 is a rear elevation view thereof;
FIG. 4 is a left elevation view thereof;
FIG. 5 is a right elevation view thereof;
FIG. 6 is a top plan view thereof; and,
FIG. 7 is a bottom plan view thereof.

1 Claim, 3 Drawing Sheets



US D728,814 S

Page 2

(56)

References Cited

U.S. PATENT DOCUMENTS

D656,276 S * 3/2012 Kurland D28/91.2
D681,841 S * 5/2013 Scappaticci D24/215
D683,862 S * 6/2013 Hartman D24/214
D686,333 S * 7/2013 Innes D24/215
D696,414 S * 12/2013 Tabe et al. D24/215
D697,221 S * 1/2014 Hall et al. D24/214

D700,351 S * 2/2014 Kojima D24/215
D712,563 S * 9/2014 Pursel et al. D24/214

OTHER PUBLICATIONS

Hawk Grips; Dec. 8, 2012; retrieved from: <http://hawkgrips.com/our-products/>.

* cited by examiner

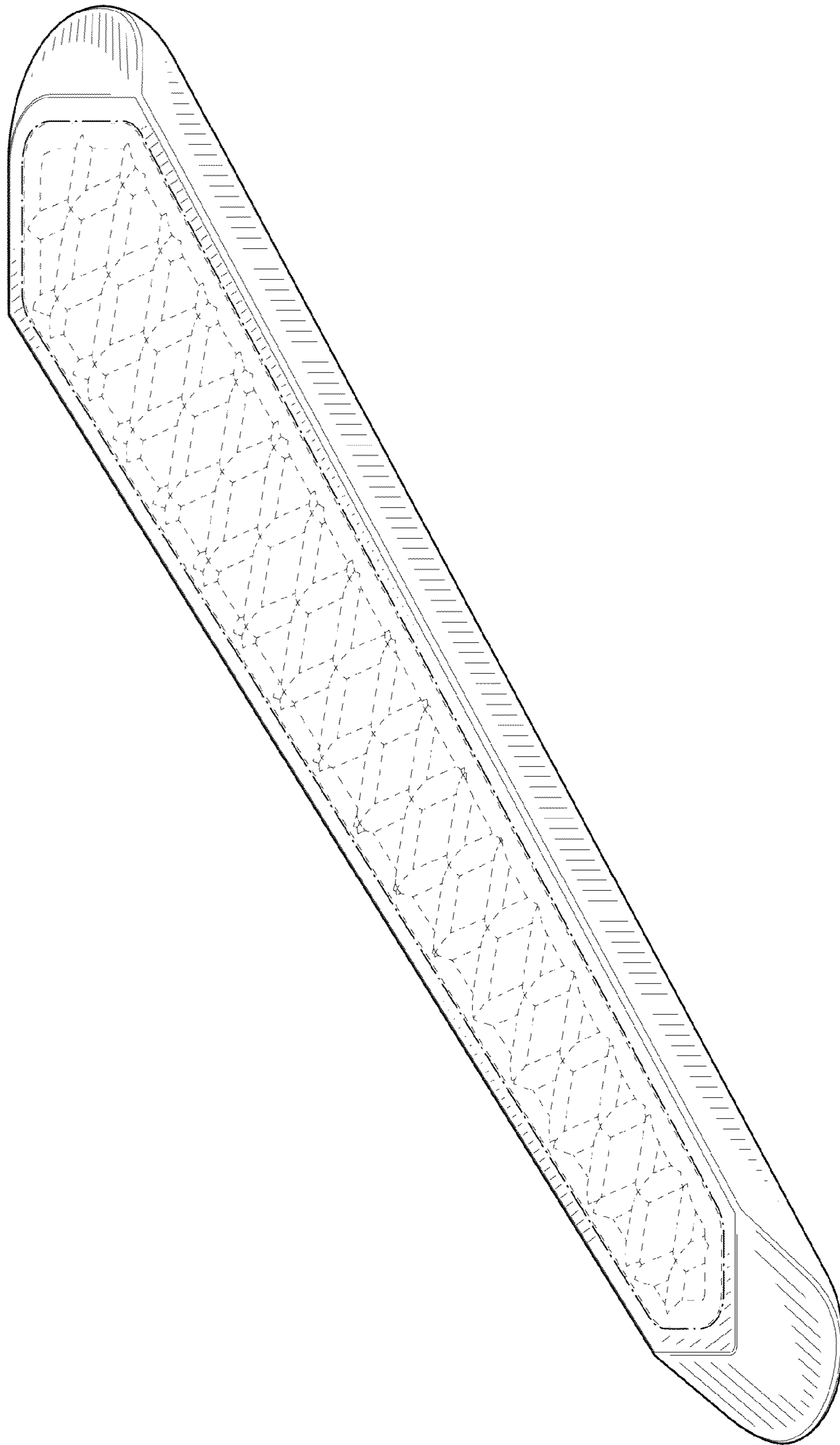


FIG. 1

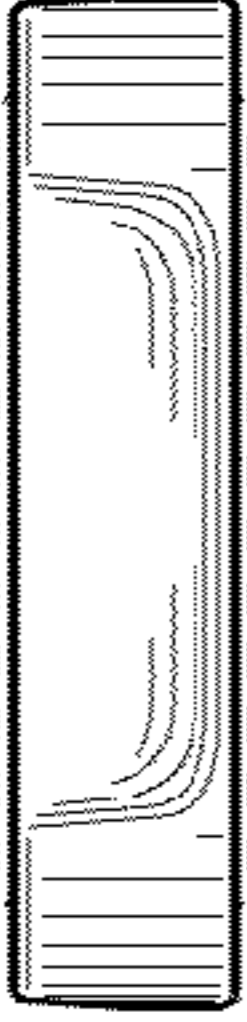


FIG. 2

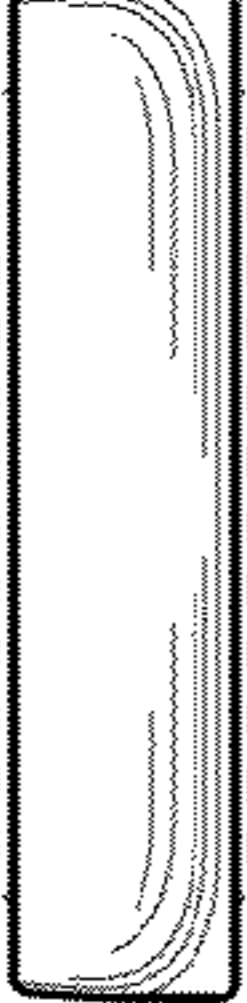


FIG. 3



FIG. 4

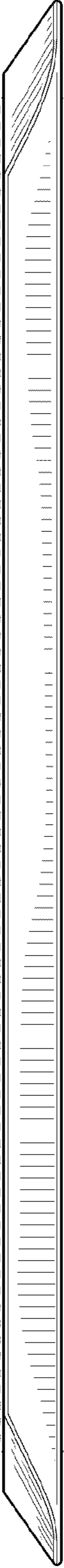


FIG. 5

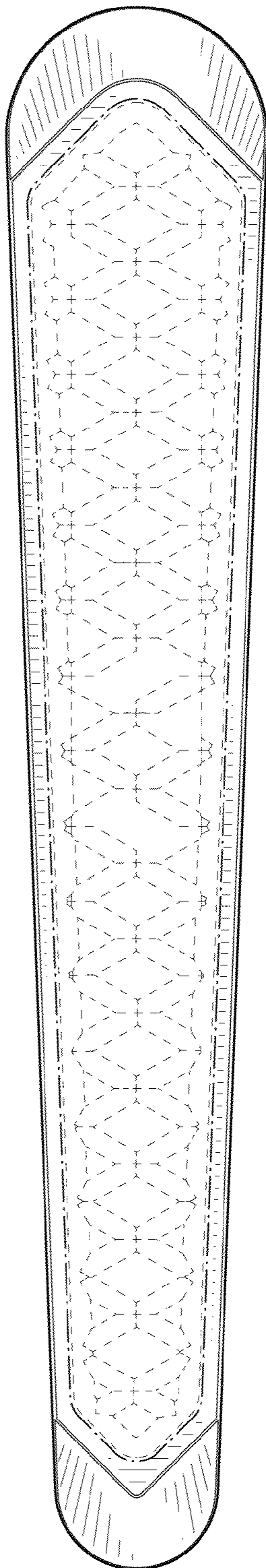


FIG. 6

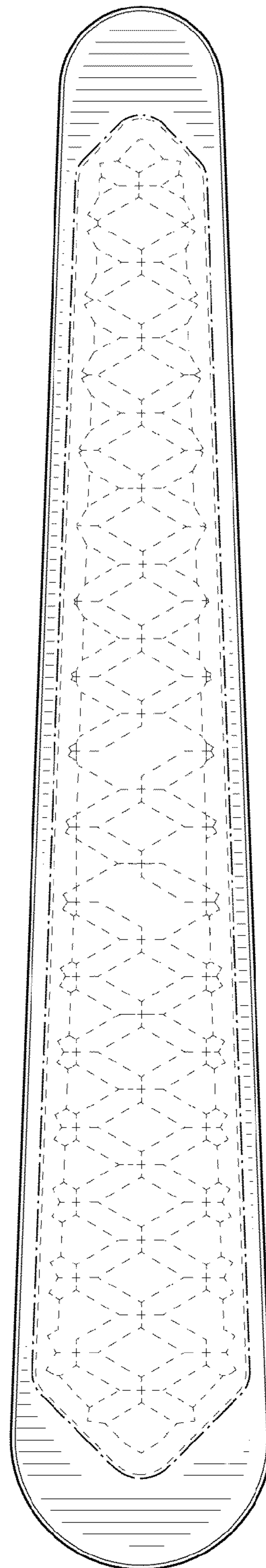


FIG. 7