



US00D728808S

(12) **United States Design Patent**
Sakulsacha

(10) **Patent No.:** **US D728,808 S**

(45) **Date of Patent:** **** May 5, 2015**

(54) **SOFT SPOUT**

(75) Inventor: **Chawarin Sakulsacha**, Bangkok (TH)

(73) Assignee: **Royal King Infant Products Co., Ltd.**,
Bangkok (TH)

(**) Term: **14 Years**

(21) Appl. No.: **29/430,306**

(22) Filed: **Aug. 23, 2012**

(51) **LOC (10) Cl.** **24-04**

(52) **U.S. Cl.**
USPC **D24/196**

(58) **Field of Classification Search**

CPC A61J 11/001; A61J 11/0035

USPC 215/11.1, 11.2, 11.3, 11.4, 11.5, 11.6;
D24/193, 194, 195, 196, 197, 198, 199

See application file for complete search history.

(56) **References Cited**

U.S. PATENT DOCUMENTS

D288,241 S *	2/1987	Fuller	D24/196
D498,849 S *	11/2004	Randolph et al.	D24/196
D567,384 S *	4/2008	Sakulsacha et al.	D24/196
D639,969 S *	6/2011	Pukall et al.	D24/196
D660,441 S *	5/2012	Weber et al.	D24/196
D671,793 S *	12/2012	Hakim	D7/392.1
D681,216 S *	4/2013	Smith	D24/196
2004/0164043 A1 *	8/2004	Hakim	215/11.5
2009/0314734 A1 *	12/2009	Pfenniger et al.	215/11.1
2011/0284491 A1 *	11/2011	Bryan et al.	215/11.4
2012/0221046 A1 *	8/2012	Randolph et al.	606/236
2012/0248056 A1 *	10/2012	Fischer et al.	215/11.4
2014/0251939 A1 *	9/2014	Boonprasop	215/11.4

* cited by examiner

Primary Examiner — George D Kirschbaum

Assistant Examiner — Kendra L Hamilton

(57) **CLAIM**

I claim the ornamental design for a soft spout, as shown.

DESCRIPTION

FIG. 1 is a perspective view of a first embodiment of a soft spout for a drinking container;

FIG. 2 is a front elevation view of the soft spout according to the present invention;

FIG. 3 is a right side elevation view of the soft spout according to the present invention;

FIG. 4 is a rear elevation view of the soft spout according to the present invention;

FIG. 5 is a left side elevation view of the soft spout according to the present invention;

FIG. 6 is a bottom planar view of the soft spout according to the present invention;

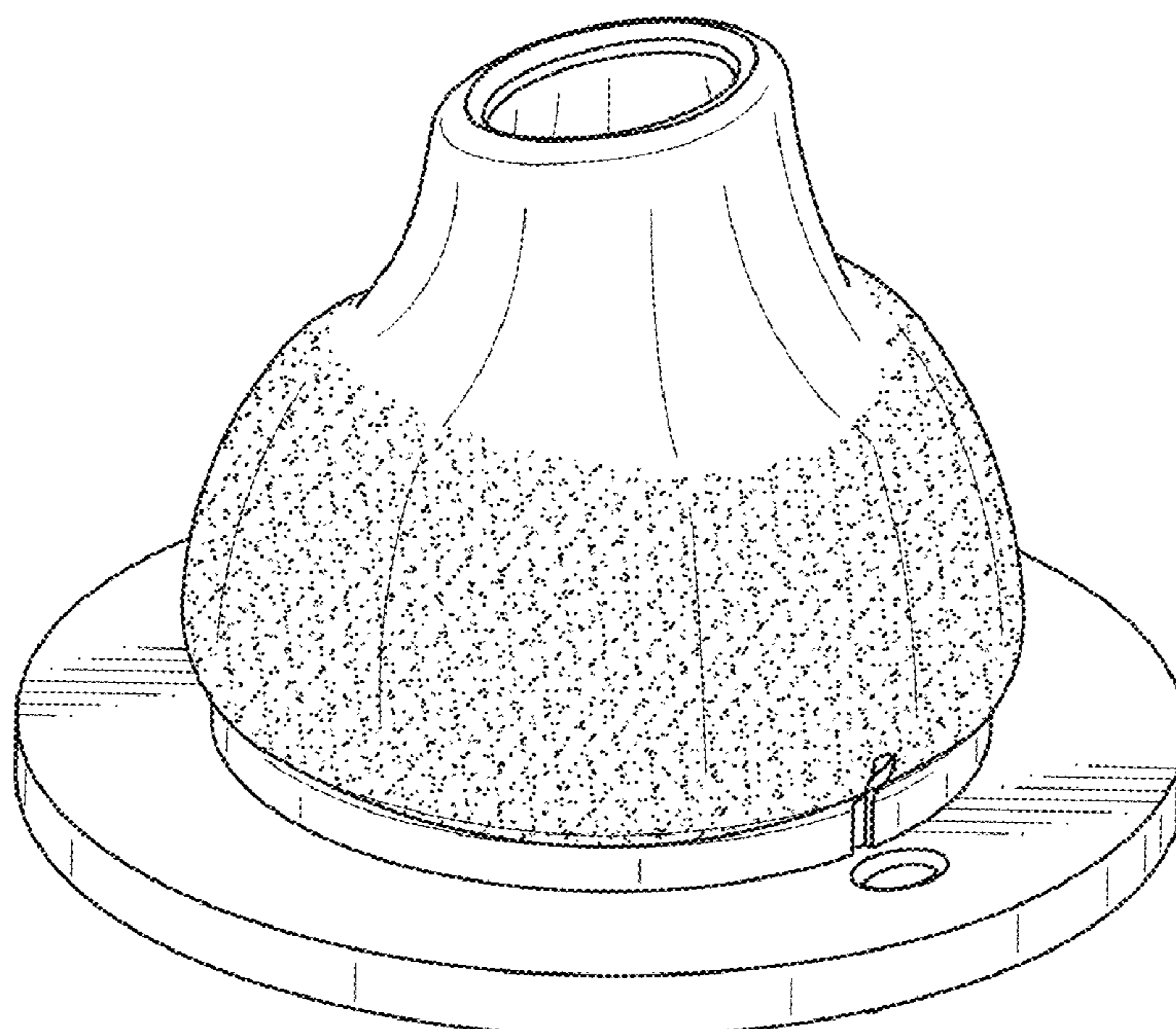
FIG. 7 is a top planar view of the soft spout according to the present invention;

FIG. 8 is a right side cross-section elevation view of the soft spout of the first embodiment according to the present invention; and,

FIG. 9 is a front cross-section elevation view of the soft spout according to the present invention.

The broken lines illustrate portions of the spout which form no part of the claimed design.

1 Claim, 9 Drawing Sheets



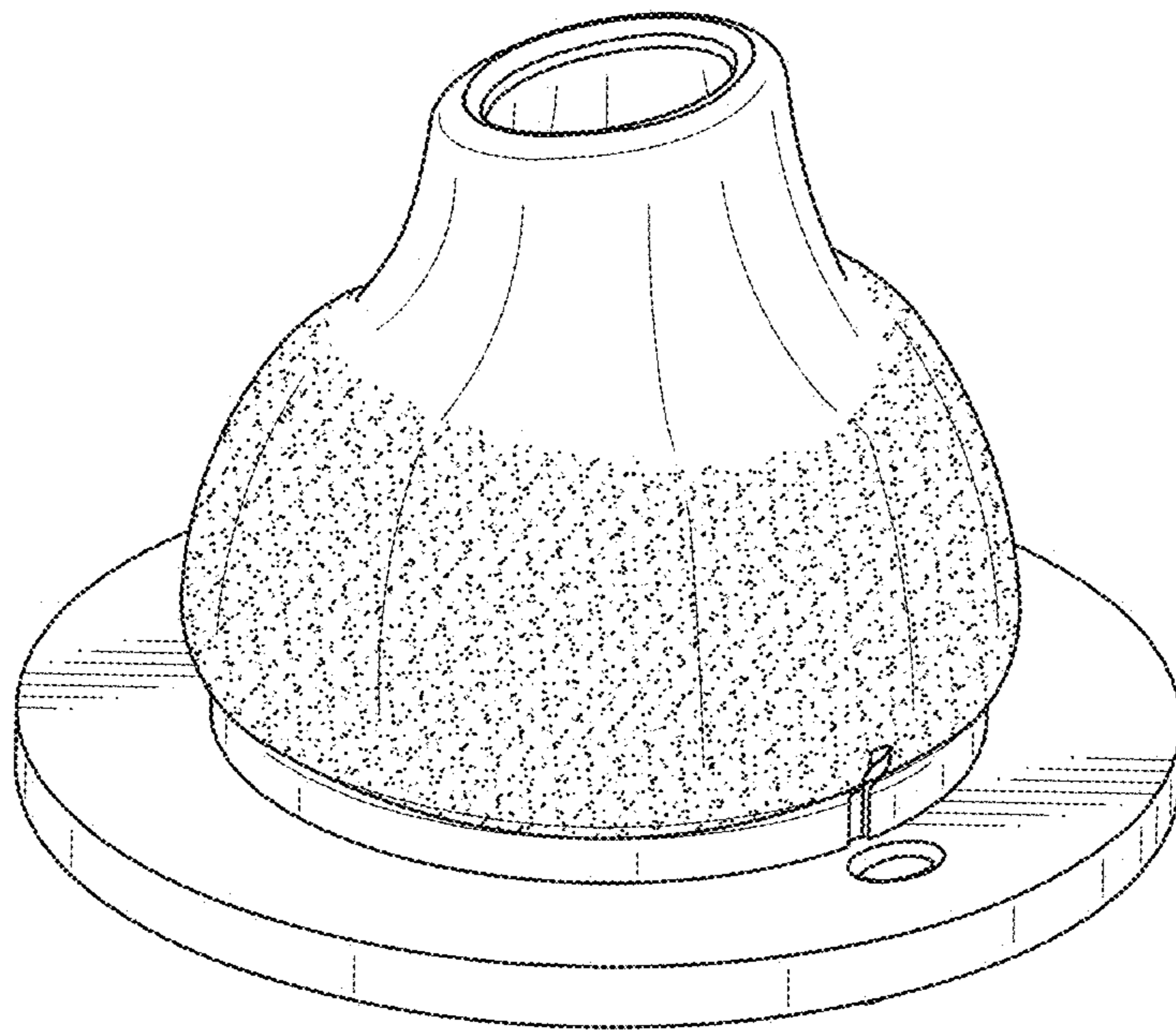


FIG. 1

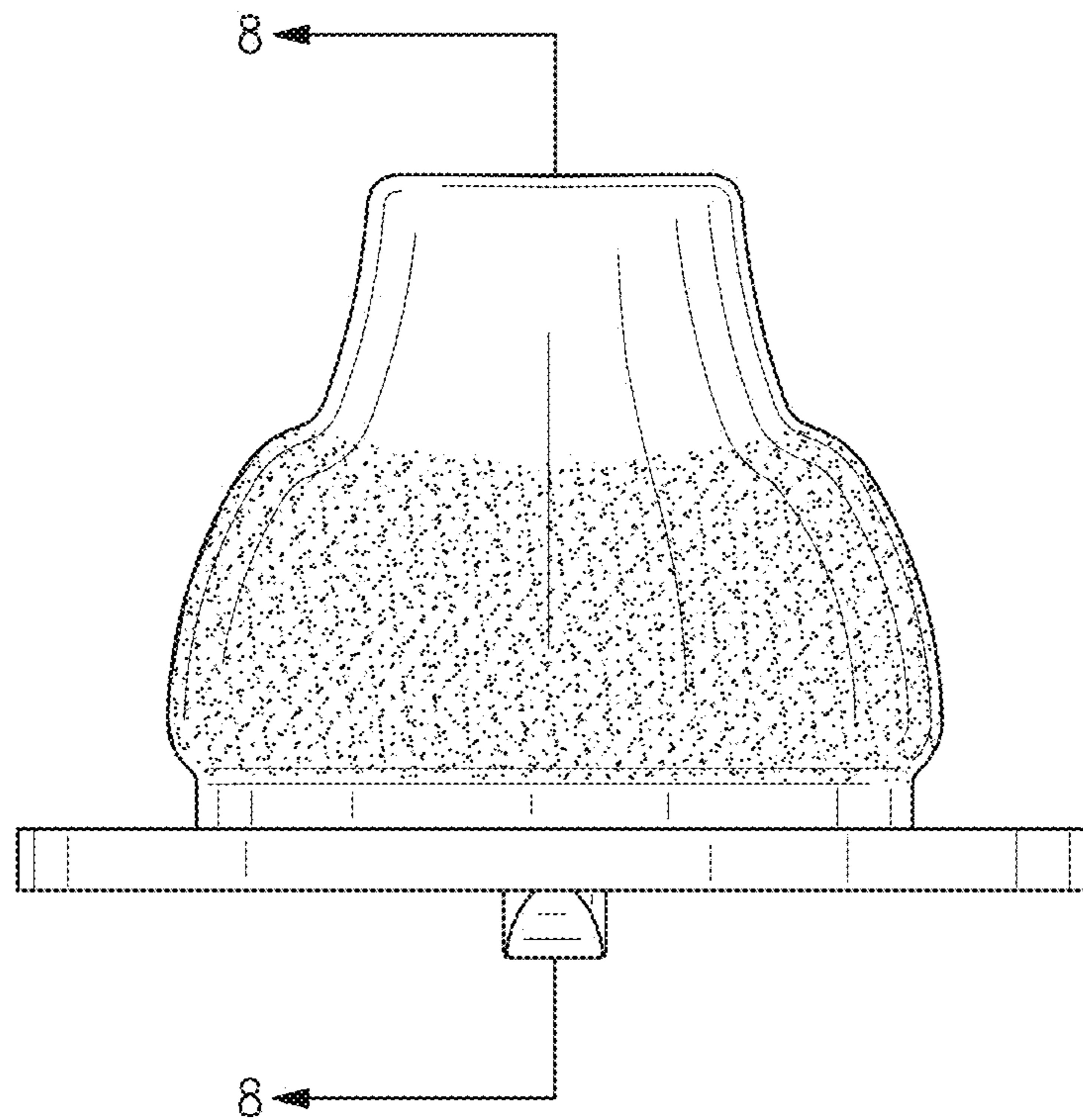


FIG.2

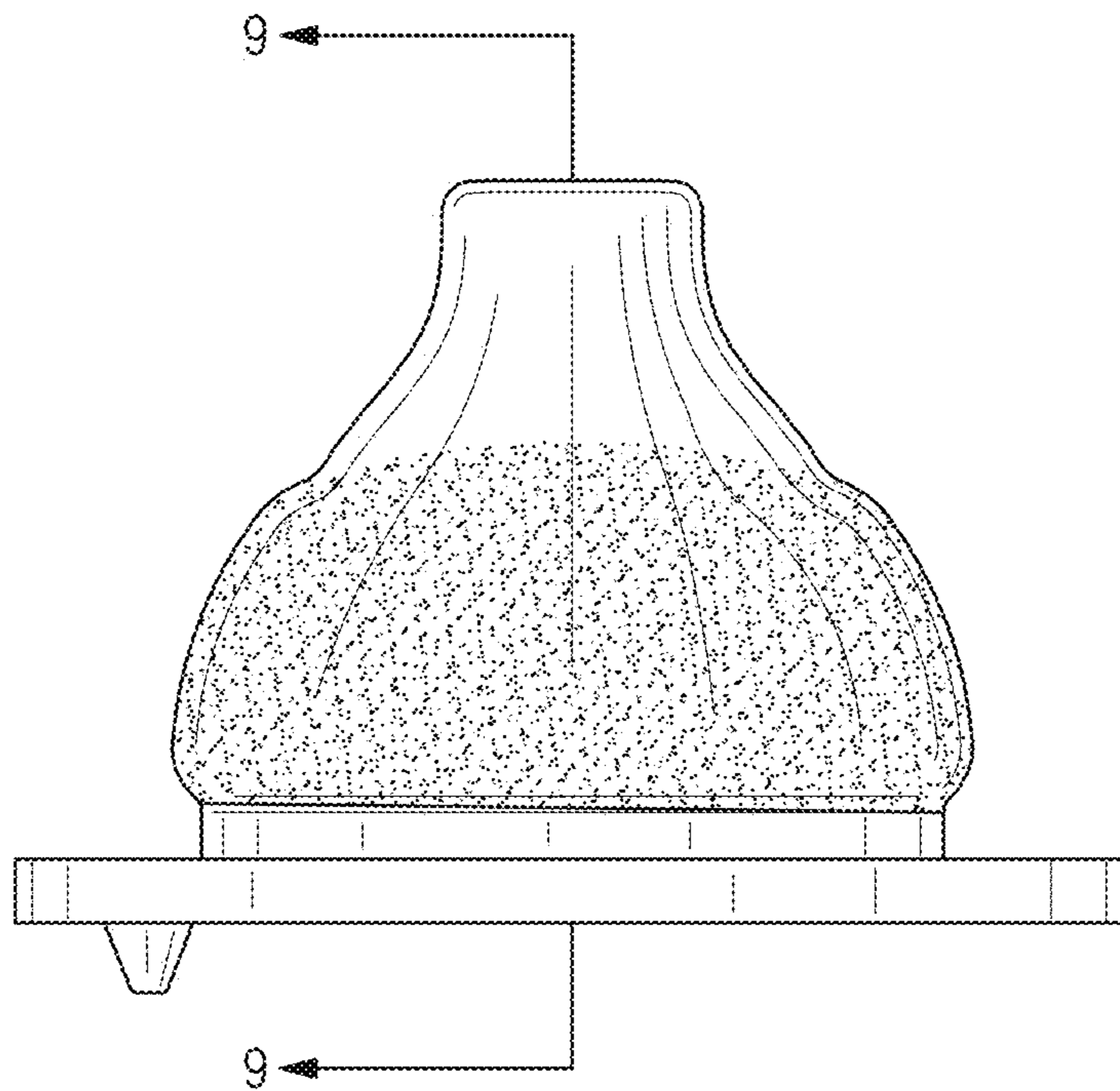


FIG.3

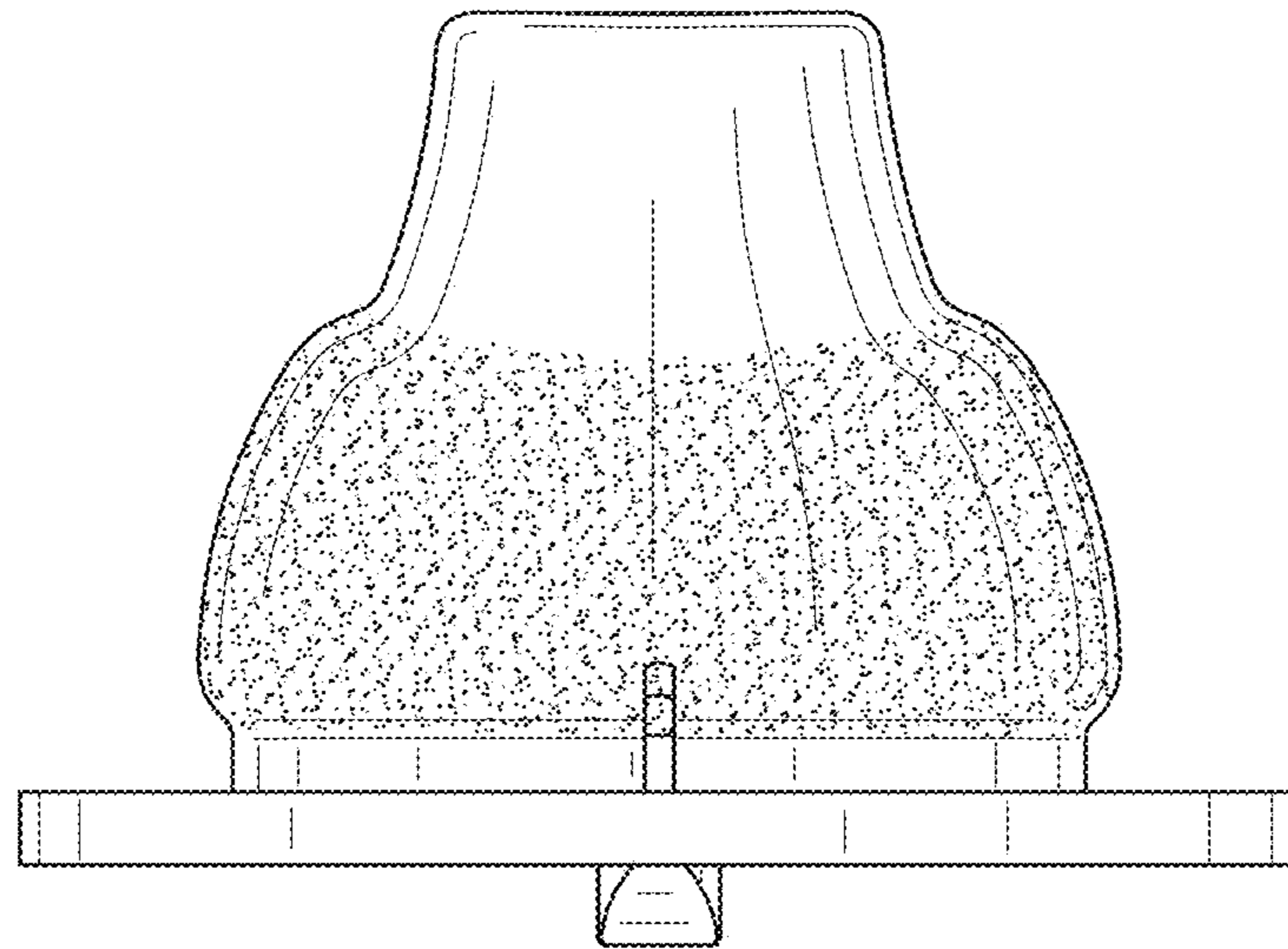


FIG. 4

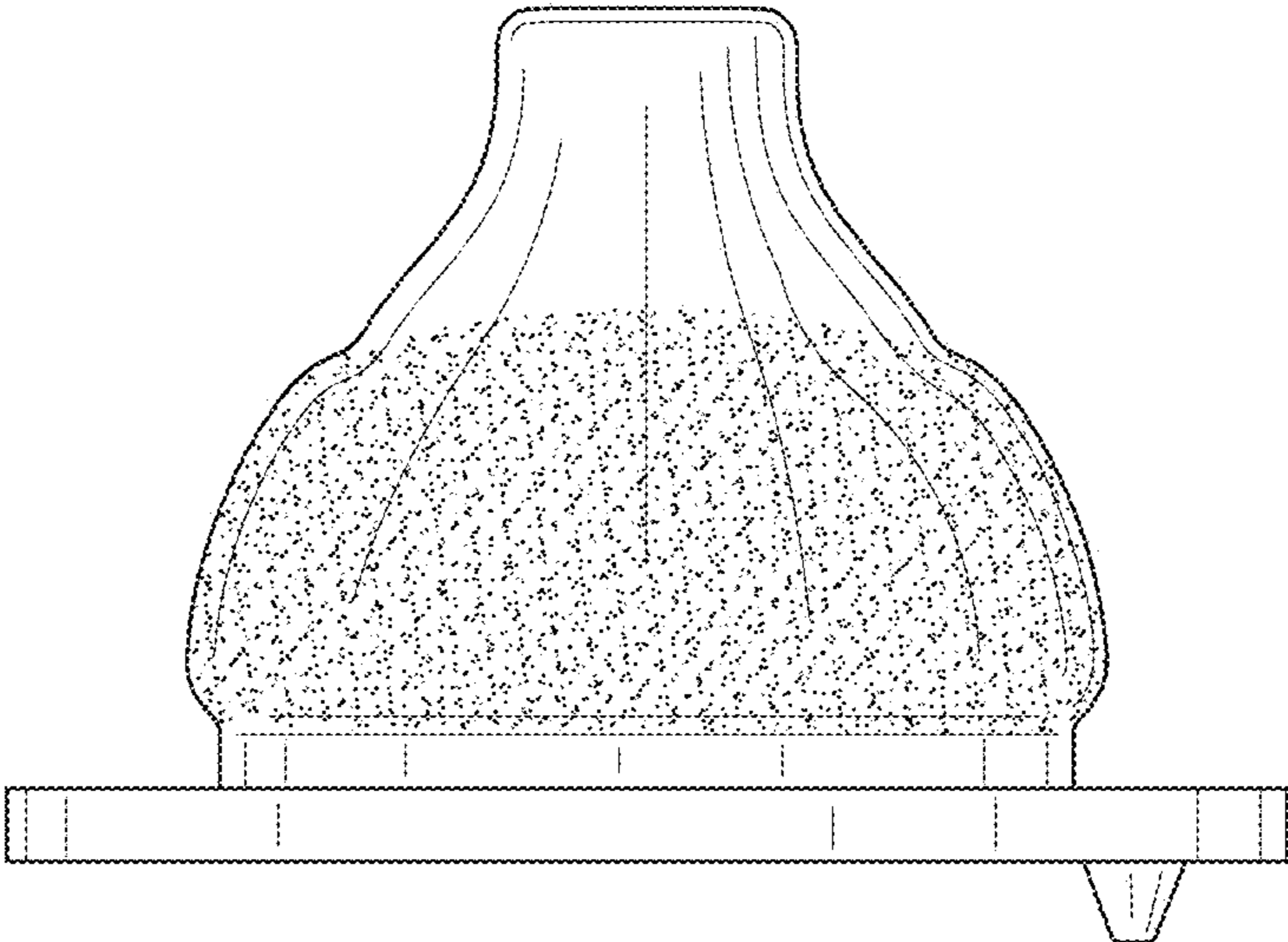


FIG.5

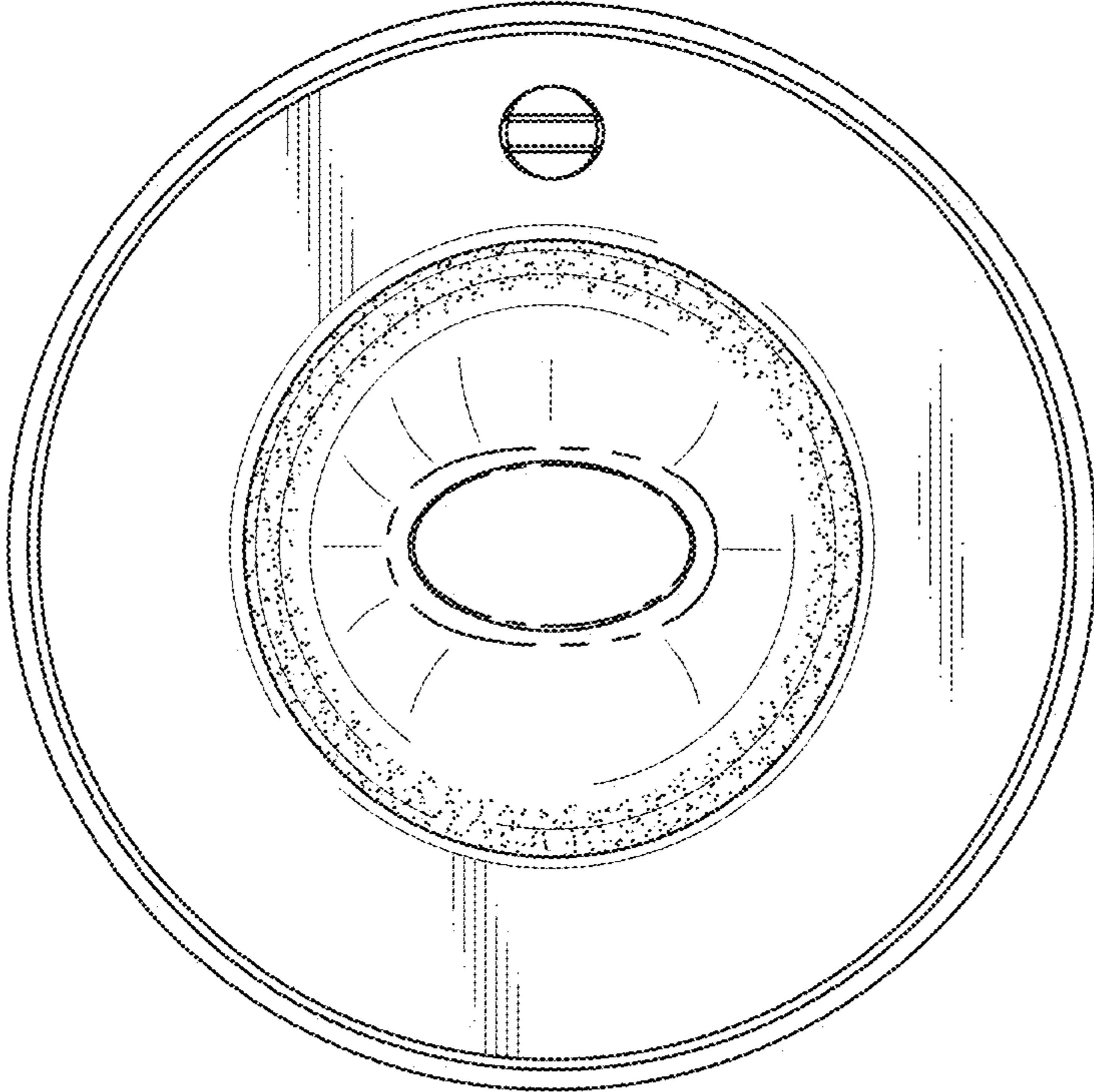


FIG. 6

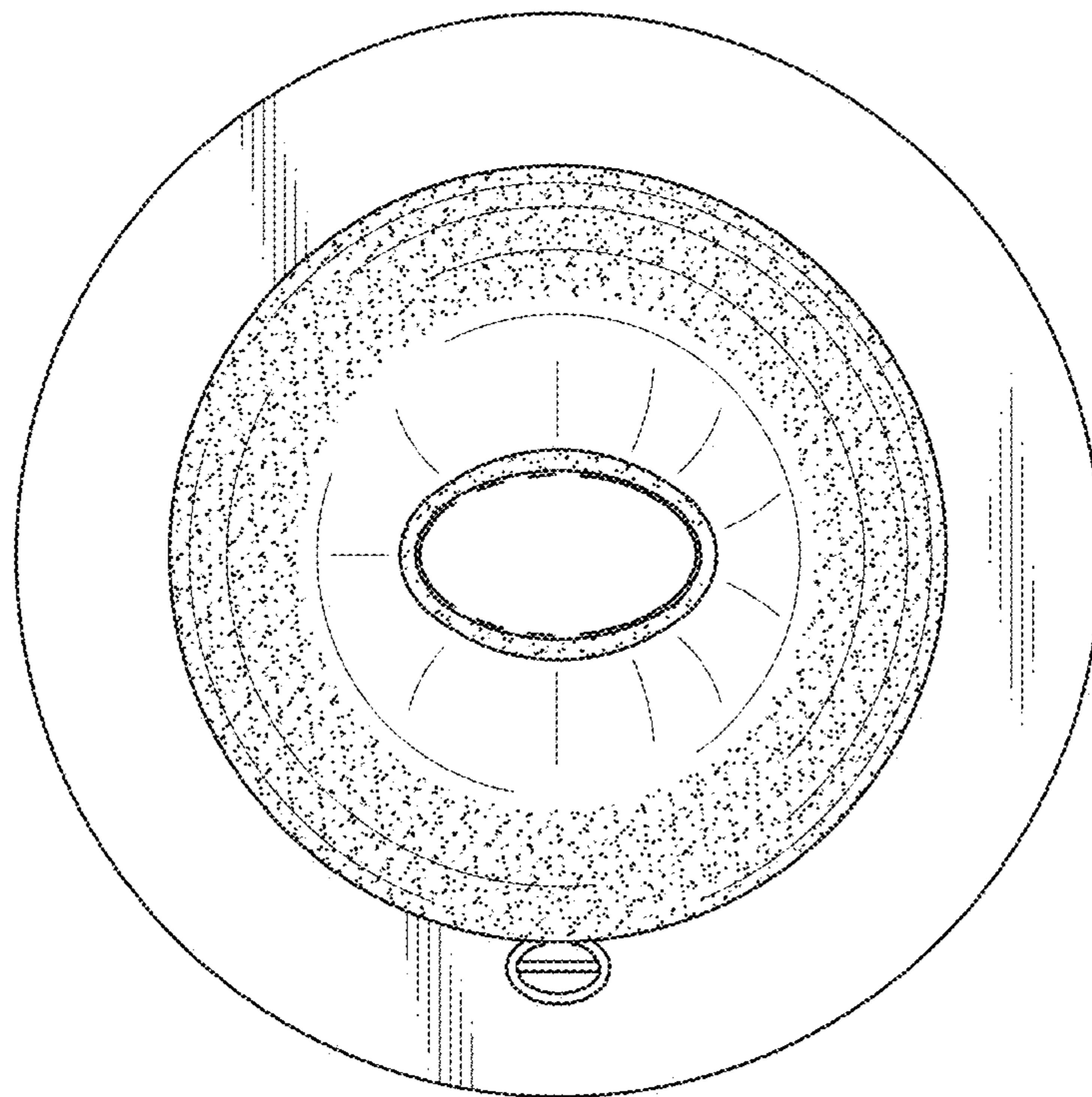


FIG. 7

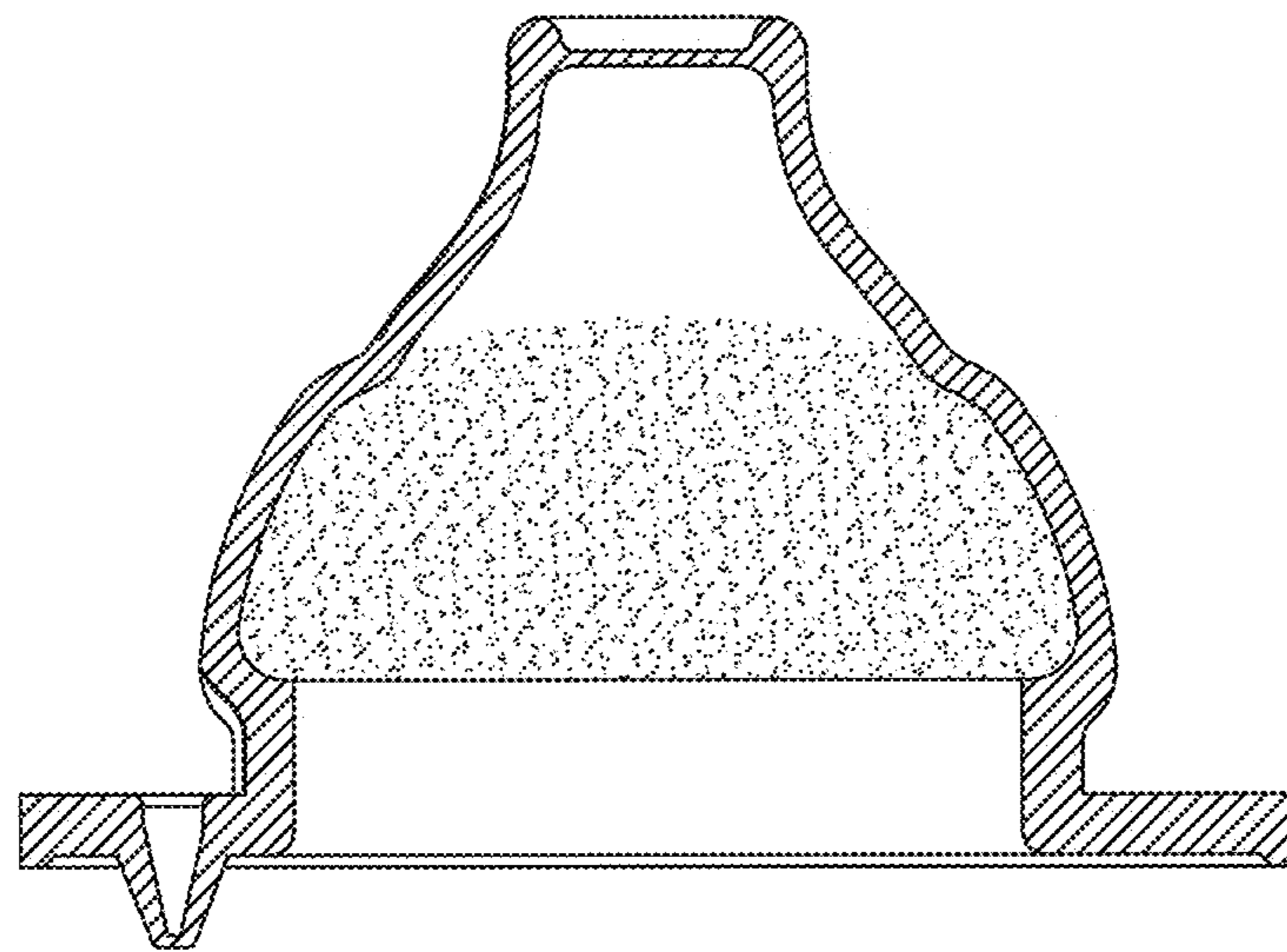


FIG. 8

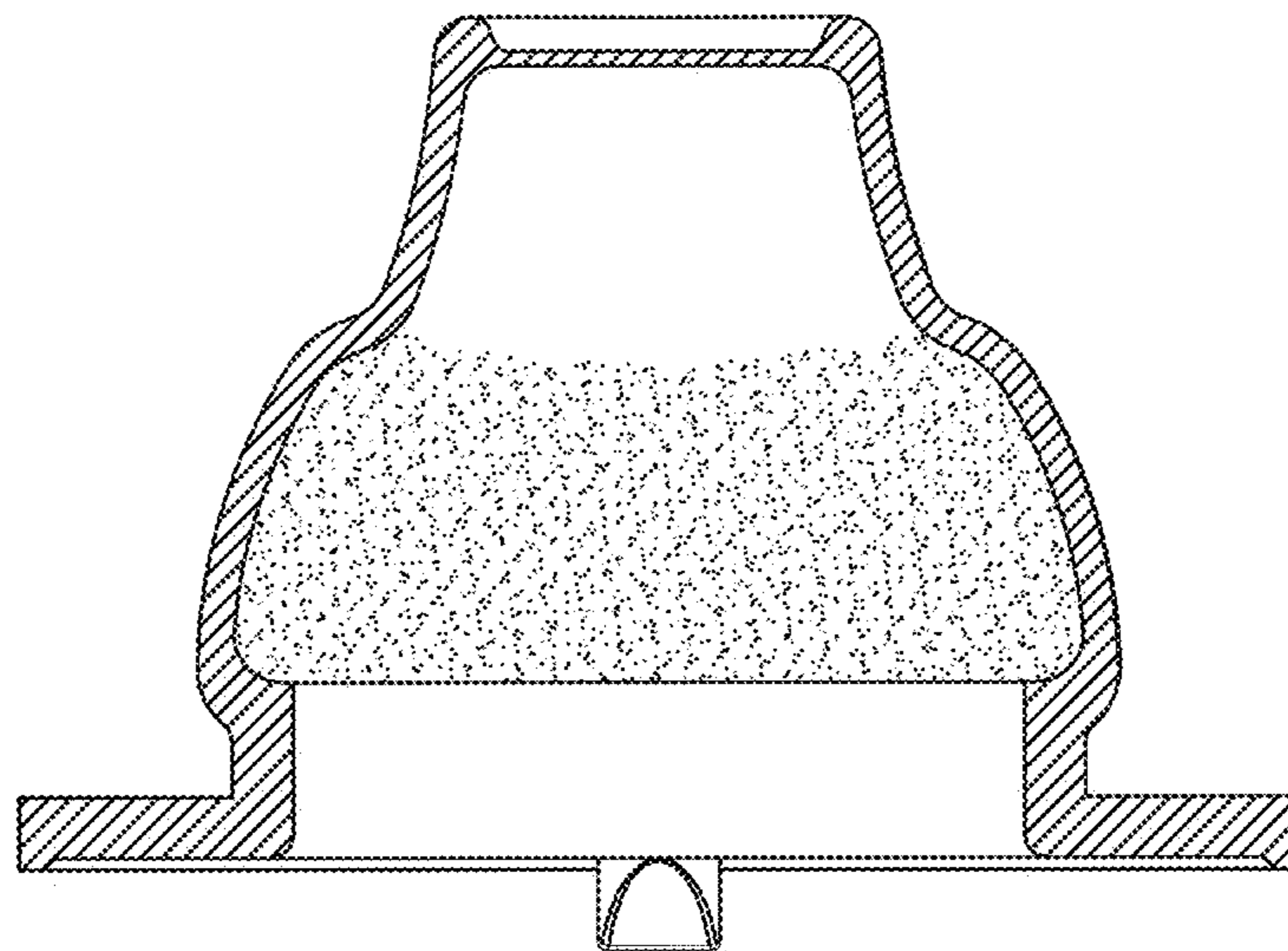


FIG. 9