



US00D728807S

(12) **United States Design Patent**  
**Hansen**

(10) **Patent No.:** **US D728,807 S**

(45) **Date of Patent:** **\*\* \*May 5, 2015**

(54) **HEAD RESTRAINT**

(71) Applicant: **Nathan E Hansen**, North Tonawanda, NY (US)

(72) Inventor: **Nathan E Hansen**, North Tonawanda, NY (US)

(\*) Notice: This patent is subject to a terminal disclaimer.

(\*\*) Term: **14 Years**

(21) Appl. No.: **29/454,734**

(22) Filed: **May 14, 2013**

(51) **LOC (10) Cl.** ..... **24-01**

(52) **U.S. Cl.**  
USPC ..... **D24/191**

(58) **Field of Classification Search**  
CPC .. B60N 2/4885; B60N 2/4864; B60N 2/4855;  
B60N 2/48; B60N 2/4817; B60N 2/4858;  
B60N 2/4808; B60N 2/4805; B60N 2/3011;  
B60N 2/4879  
USPC ..... D24/188-191; 2/171.2; 128/845, 870;  
602/17, 18, 74, 76; 297/392, 393, 464,  
297/470; D11/200

See application file for complete search history.

(56) **References Cited**

**U.S. PATENT DOCUMENTS**

D95,729	S *	5/1935	Brown	.....	D24/191
4,339,151	A *	7/1982	Riggs	.....	297/464
4,707,031	A *	11/1987	Meistrell	.....	297/393
D323,218	S *	1/1992	Kamensky	.....	D24/191
D370,309	S	5/1996	Stucky		
6,266,825	B1 *	7/2001	Floyd	.....	2/338
6,607,245	B1 *	8/2003	Scher	.....	297/393

6,966,321	B2 *	11/2005	Hess	.....	128/870
D564,406	S *	3/2008	Chandler	.....	D11/200
D615,453	S *	5/2010	Spears	.....	D11/200
D617,907	S *	6/2010	Waller	.....	D24/191
8,287,045	B1 *	10/2012	Donohue et al.	.....	297/393
D694,309	S *	11/2013	Shelledy	.....	D16/301
2006/0108850	A1 *	5/2006	Miller	.....	297/393
2008/0060134	A1 *	3/2008	Virga	.....	5/640
2009/0236893	A1 *	9/2009	Ehlers et al.	.....	297/391
2010/0283310	A1 *	11/2010	Blackwood	.....	297/464
2012/0247482	A1 *	10/2012	Patron et al.	.....	128/845
2013/0031697	A1 *	2/2013	Woda	.....	2/171.2

\* cited by examiner

*Primary Examiner* — Eric Goodman

*Assistant Examiner* — Jennifer Watkins

(74) *Attorney, Agent, or Firm* — Kloss Stenger LoTempio; Vincent G. LoTempio; David Stephenson

(57) **CLAIM**

The ornamental design for a head restraint, as shown and described.

**DESCRIPTION**

FIG. 1 is a front perspective view of a head restraint showing my new design;

FIG. 2 is a front view thereof;

FIG. 3 is rear view thereof;

FIG. 4 is a top plan view thereof;

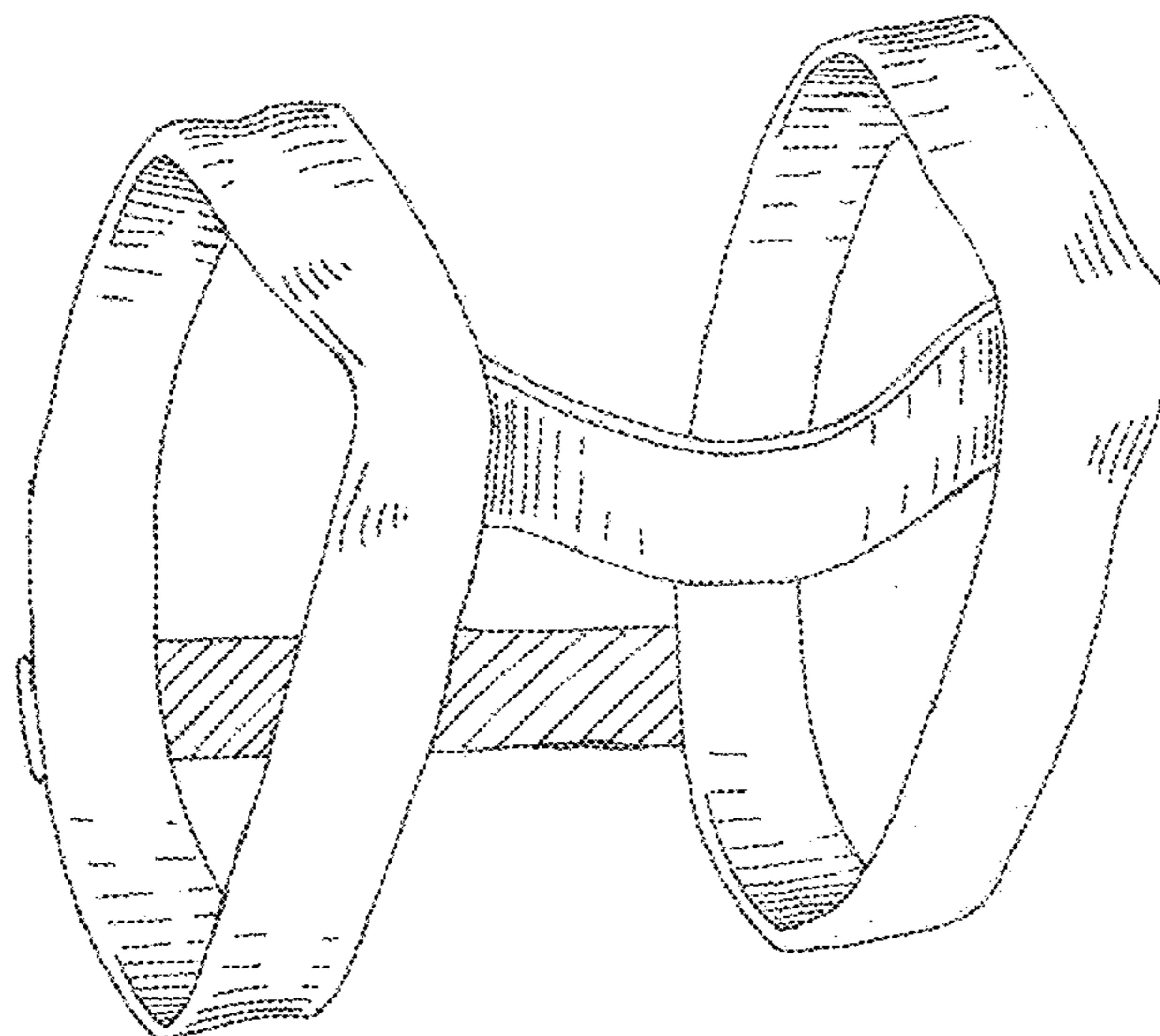
FIG. 5 is a right side perspective view thereof with the left side being a minor image thereof;

FIG. 6 is a front perspective view thereof with environment; and,

FIG. 7 is a side perspective view of the head restraint shown in FIG. 1, the opposite side view being a mirror image thereof.

The broken lines shown in FIG. 6 and FIG. 7 represent environment and form no part of the claimed design.

**1 Claim, 3 Drawing Sheets**



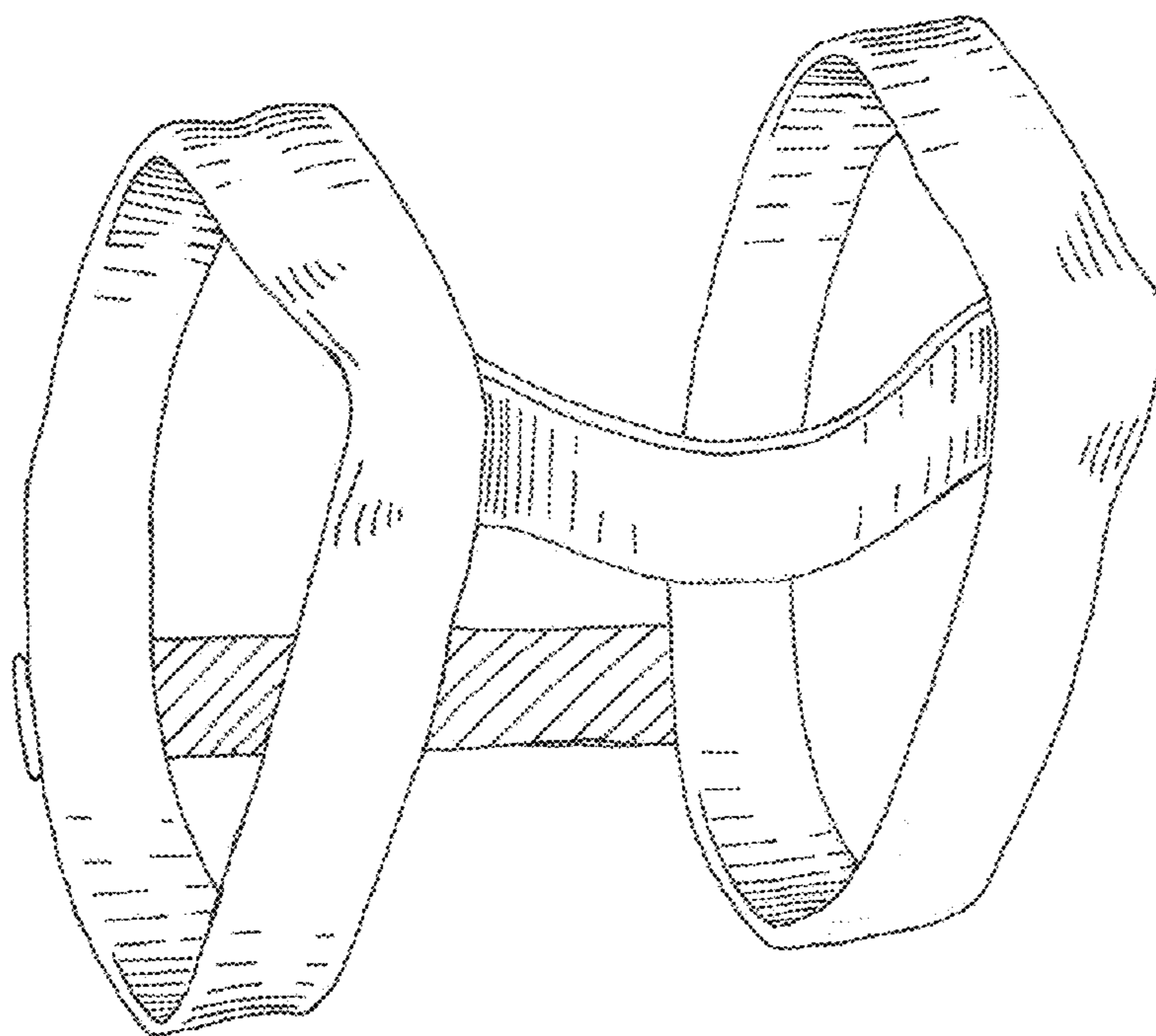


FIG. 1

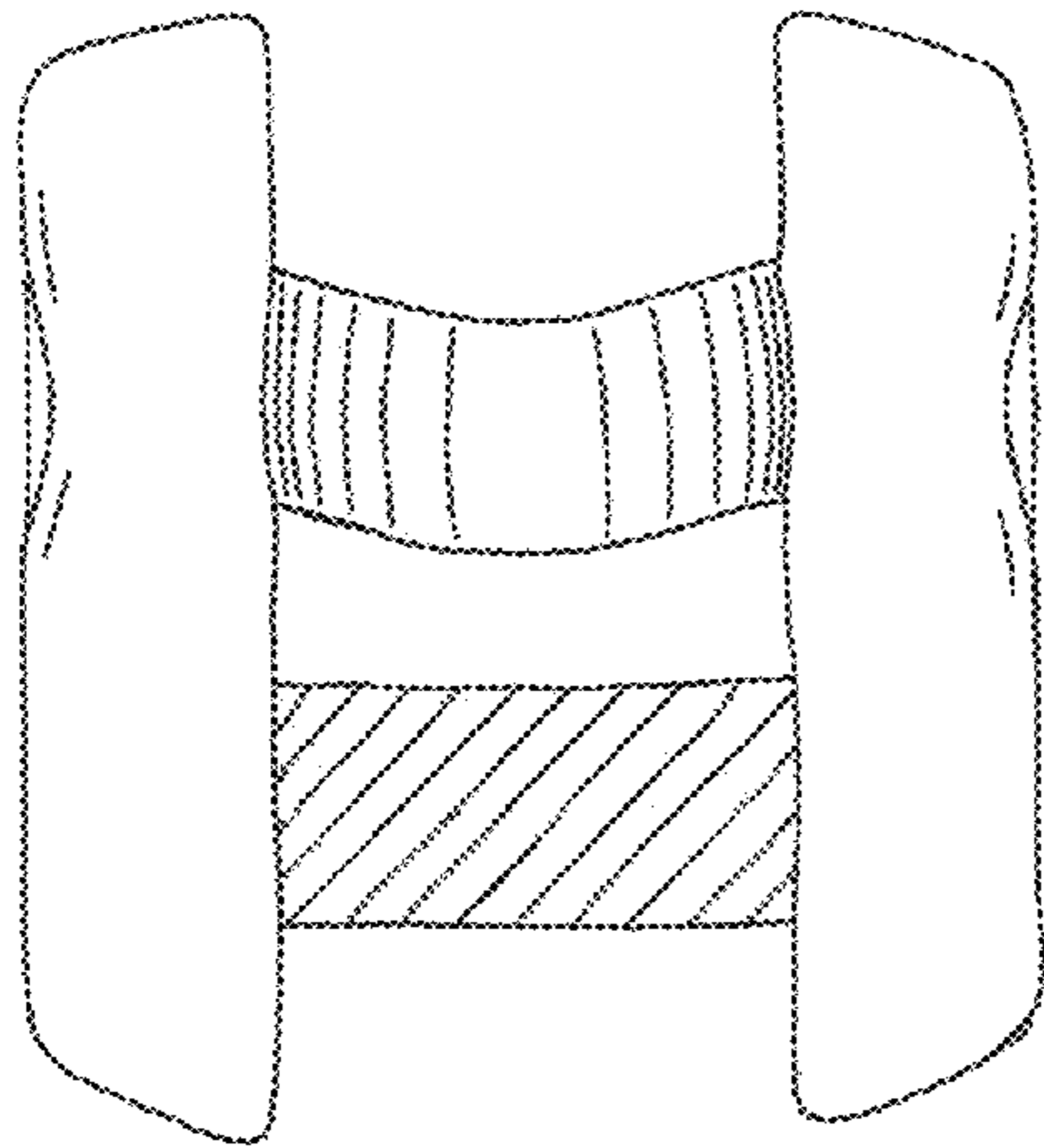


FIG. 2

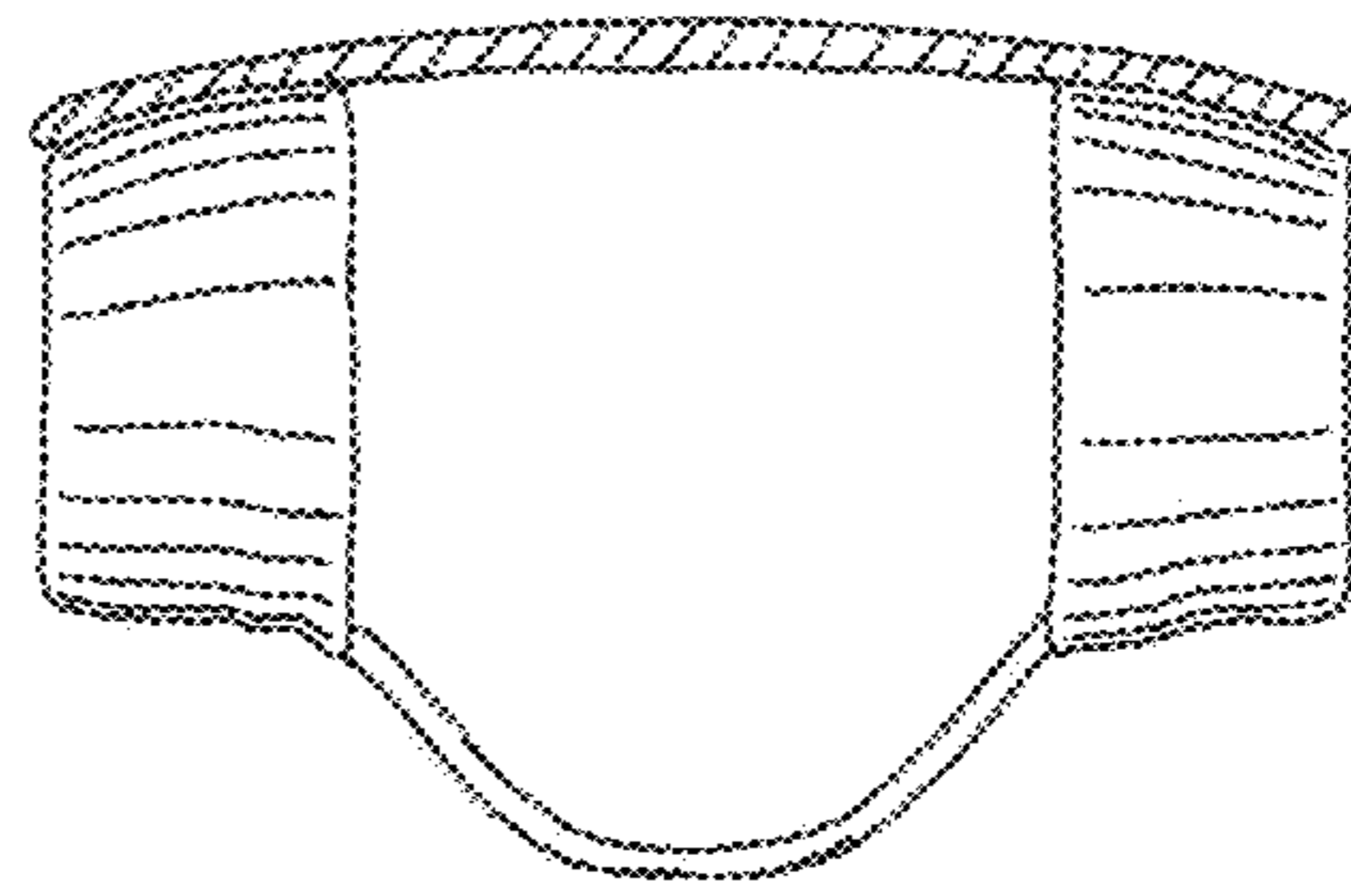


FIG. 4

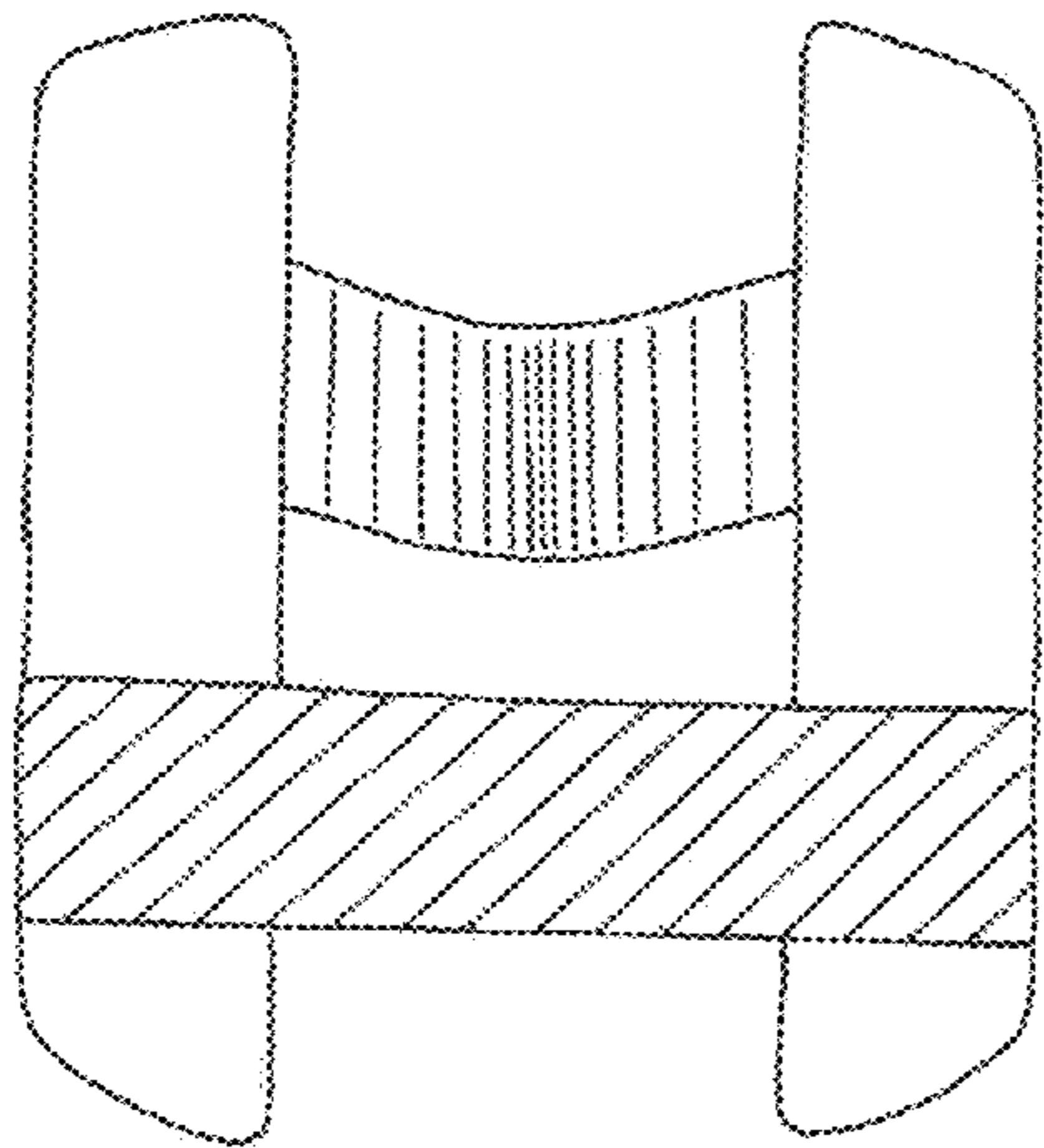


FIG. 3

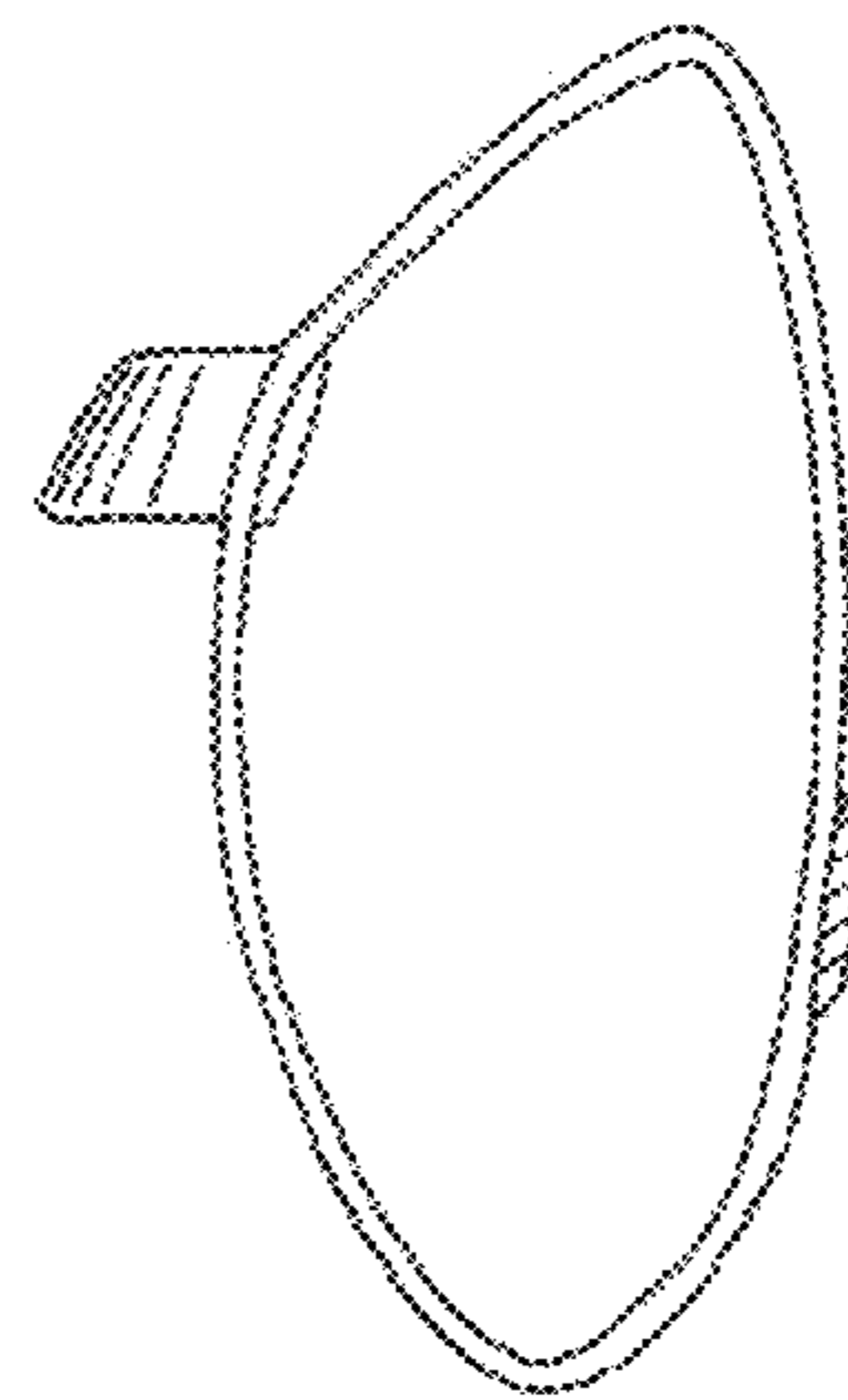


FIG. 5

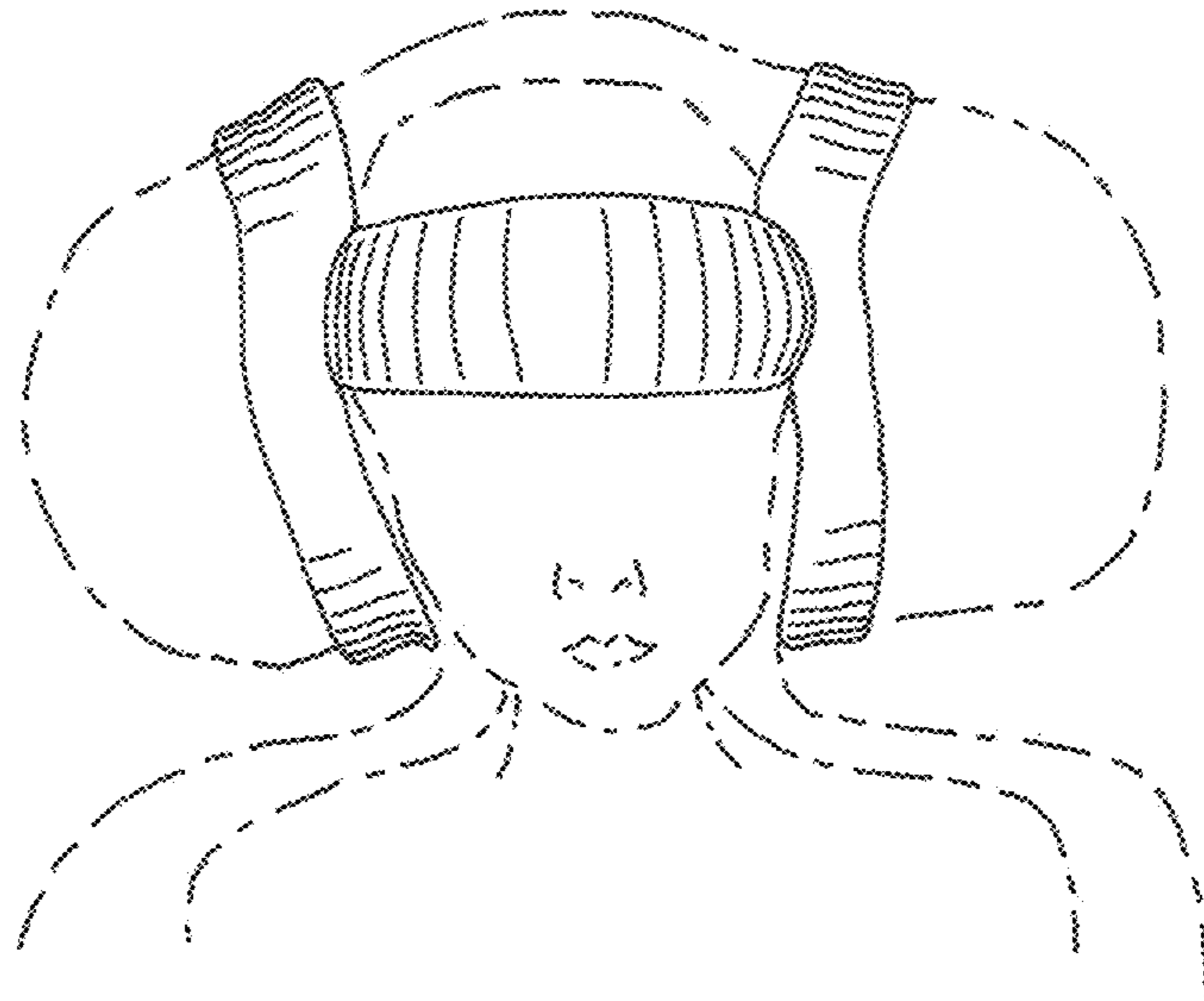


FIG. 6

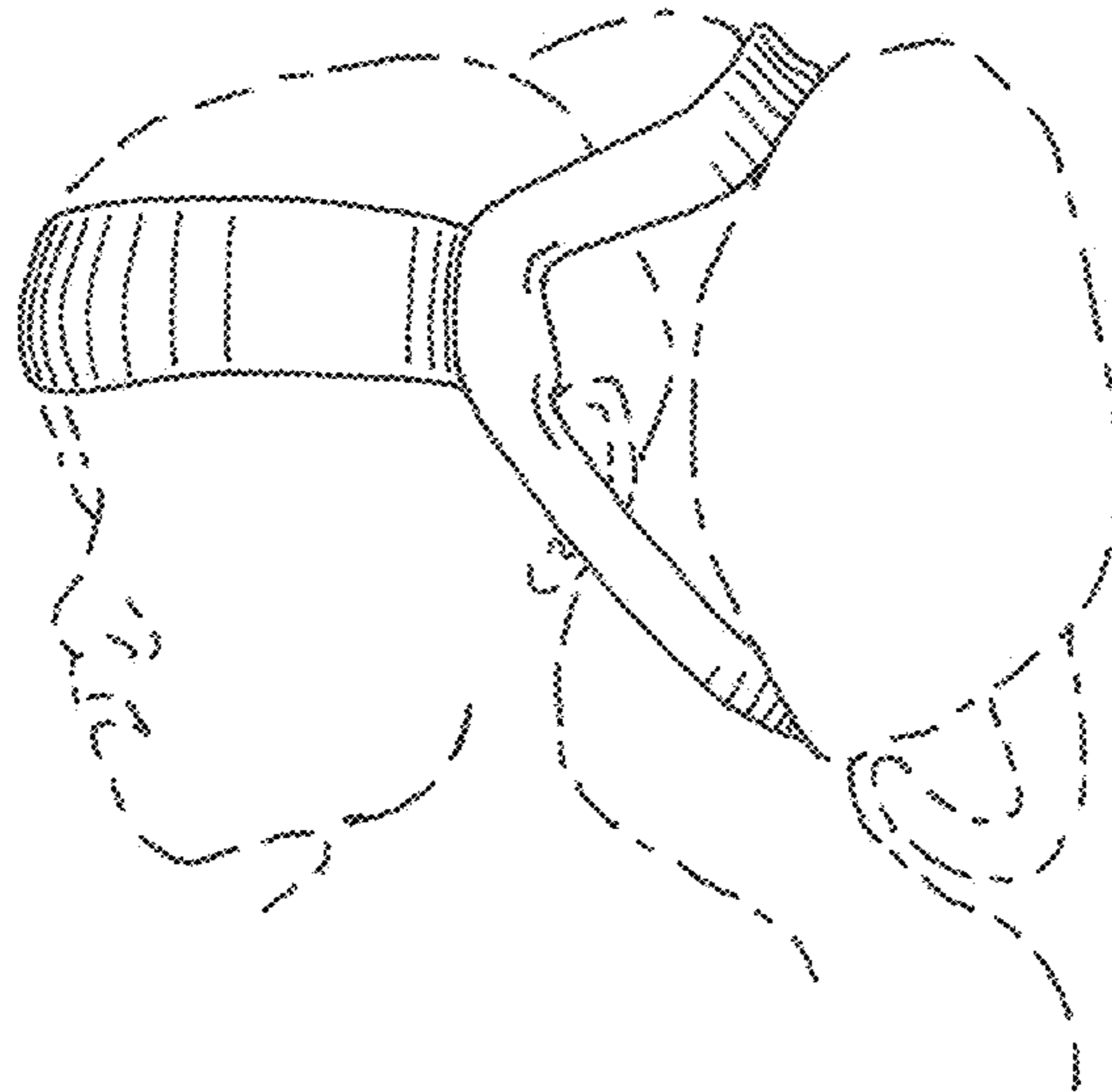


FIG. 7