



US00D728802S

(12) **United States Design Patent**
Matsumura et al.

(10) **Patent No.:** **US D728,802 S**

(45) **Date of Patent:** **** May 5, 2015**

(54) **ULTRASONIC PROBE**

(71) Applicant: **GE Medical Systems Global Technology Company, LLC**, Waukesha, WI (US)

(72) Inventors: **Kiyoshi Matsumura**, Tokyo (JP); **Koji Yanagihara**, Tokyo (JP)

(73) Assignee: **GE Medical Systems Global Technology Company, LLC**, Waukesha, WI (US)

(**) Term: **14 Years**

(21) Appl. No.: **29/495,912**

(22) Filed: **Jul. 7, 2014**

(30) **Foreign Application Priority Data**

Jan. 10, 2014 (JP) 2014-000276

(51) **LOC (10) Cl.** **24-01**

(52) **U.S. Cl.**
USPC **D24/187**

(58) **Field of Classification Search**
USPC D24/138, 141, 158, 164, 165, 167, 170, D24/186-187, 133, 144, 146; D10/57, 60, D10/78, 80; 600/407, 461, 446, 439, 462, 600/464, 459; 378/98.7, 98.8, 189
See application file for complete search history.

(56) **References Cited**

U.S. PATENT DOCUMENTS

4,742,829	A *	5/1988	Law et al.	600/461
4,756,313	A *	7/1988	Terwilliger	600/462
D300,175	S *	3/1989	Bar-Yam	D24/138
4,841,979	A *	6/1989	Dow et al.	600/446
D304,760	S *	11/1989	Curtis et al.	D24/141
D320,078	S *	9/1991	Terwilliger et al.	D24/158
5,090,414	A *	2/1992	Takano	600/464
D393,311	S *	4/1998	Kirsner	D24/141

6,443,902	B1 *	9/2002	Sasady	600/461
6,709,397	B2 *	3/2004	Taylor	600/459
7,066,889	B2 *	6/2006	Taylor	600/459
D536,450	S *	2/2007	Ryan	D24/144
D616,992	S *	6/2010	Kitayama	D24/186
D623,755	S *	9/2010	Ikegame	D24/186
D627,463	S *	11/2010	Voic et al.	D24/146
D644,326	S *	8/2011	Voic et al.	D24/144
8,057,391	B2 *	11/2011	Lau et al.	600/439
8,083,681	B2 *	12/2011	Kadokura	600/459
D697,627	S *	1/2014	Takano et al.	D24/187
D701,606	S	3/2014	Ohmukai	
D701,608	S	3/2014	Baba	
D701,965	S	4/2014	Matsumura et al.	
D703,330	S	4/2014	Saeki	

(Continued)

Primary Examiner — T. Chase Nelson

Assistant Examiner — Mark Cavanna

(74) *Attorney, Agent, or Firm* — Armstrong Teasdale LLP

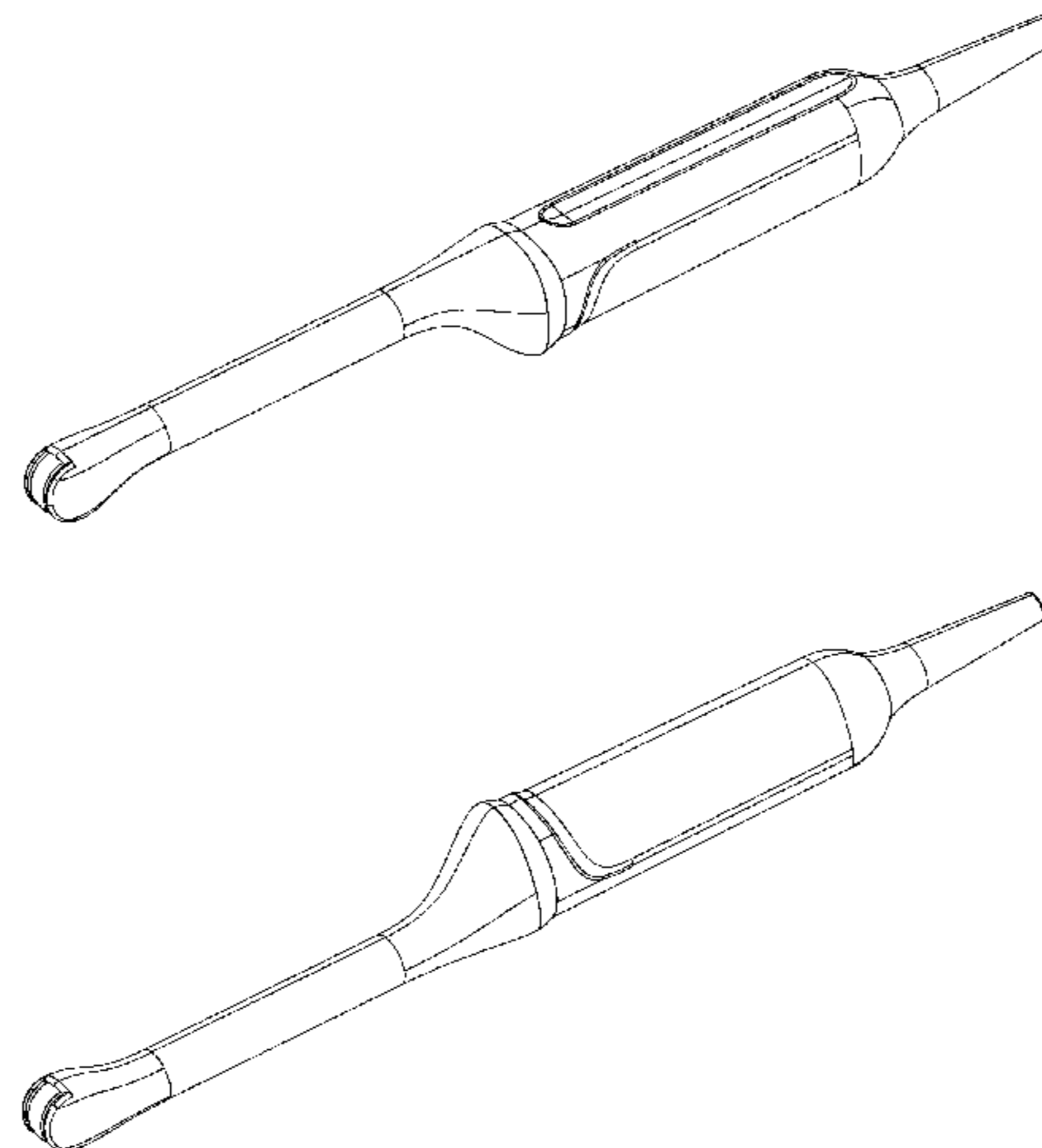
(57) **CLAIM**

We claim the ornamental design for an ultrasonic probe, as shown and described.

DESCRIPTION

FIG. 1 is a top perspective view of an ultrasonic probe showing our new design;
 FIG. 2 is a bottom perspective view of the ultrasonic probe design shown in FIG. 1;
 FIG. 3 is a front view of the ultrasonic probe design shown in FIG. 1;
 FIG. 4 is a rear view of the ultrasonic probe design shown in FIG. 1;
 FIG. 5 is a right view of the ultrasonic probe design shown in FIG. 1;
 FIG. 6 is a left view of the ultrasonic probe design shown in FIG. 1;
 FIG. 7 is a top view of the ultrasonic probe design shown in FIG. 1; and,
 FIG. 8 is a bottom view of the ultrasonic probe design shown in FIG. 1.

1 Claim, 7 Drawing Sheets



(56)

References Cited

U.S. PATENT DOCUMENTS

D703,331 S 4/2014 Kitayama
D703,332 S 4/2014 Saeki

D703,333 S 4/2014 Saeki
D704,341 S 5/2014 Ryu et al.
D704,844 S 5/2014 Saeki
2008/0228082 A1* 9/2008 Scheirer et al. 600/459

* cited by examiner

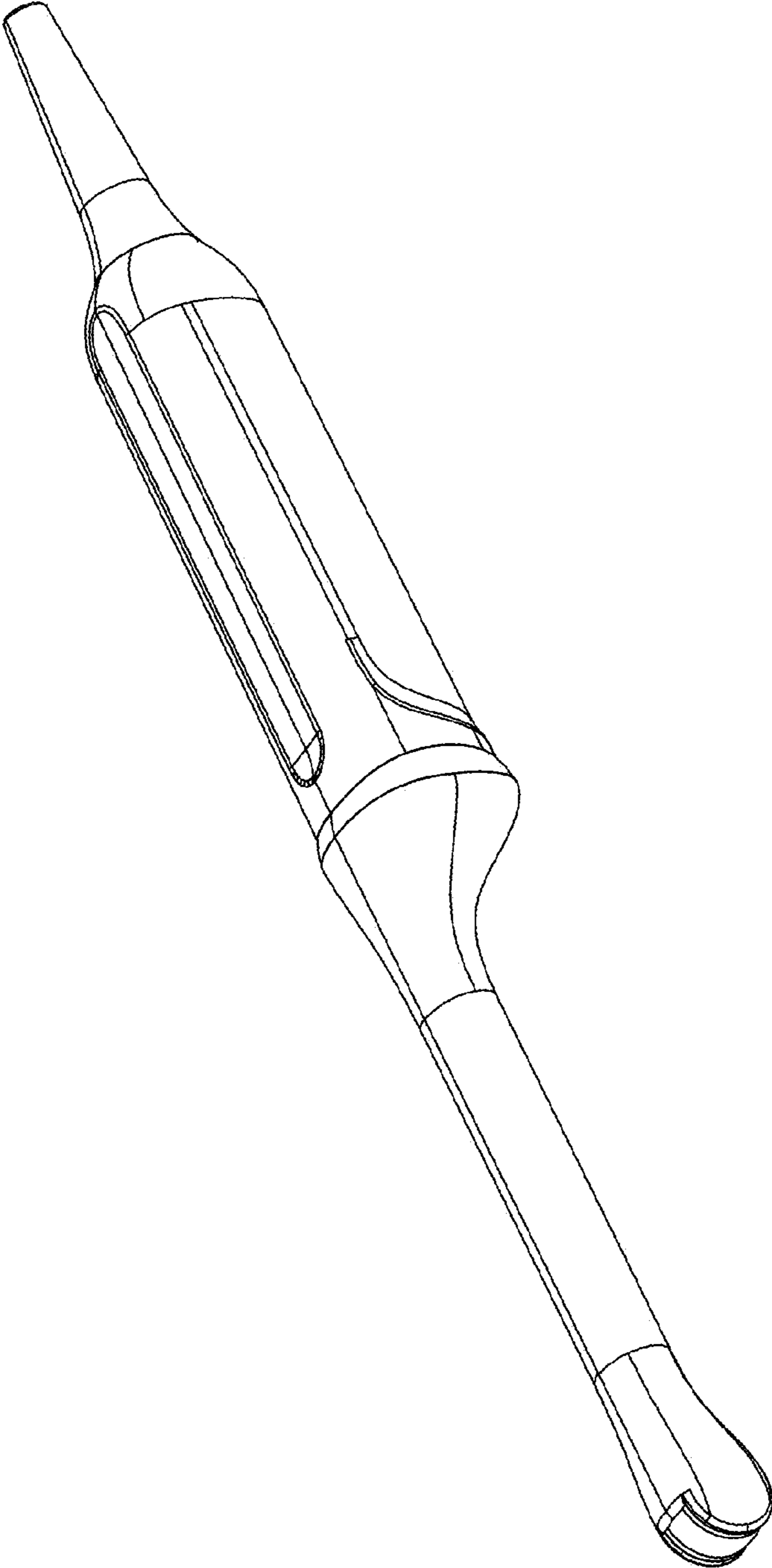


FIG. 1

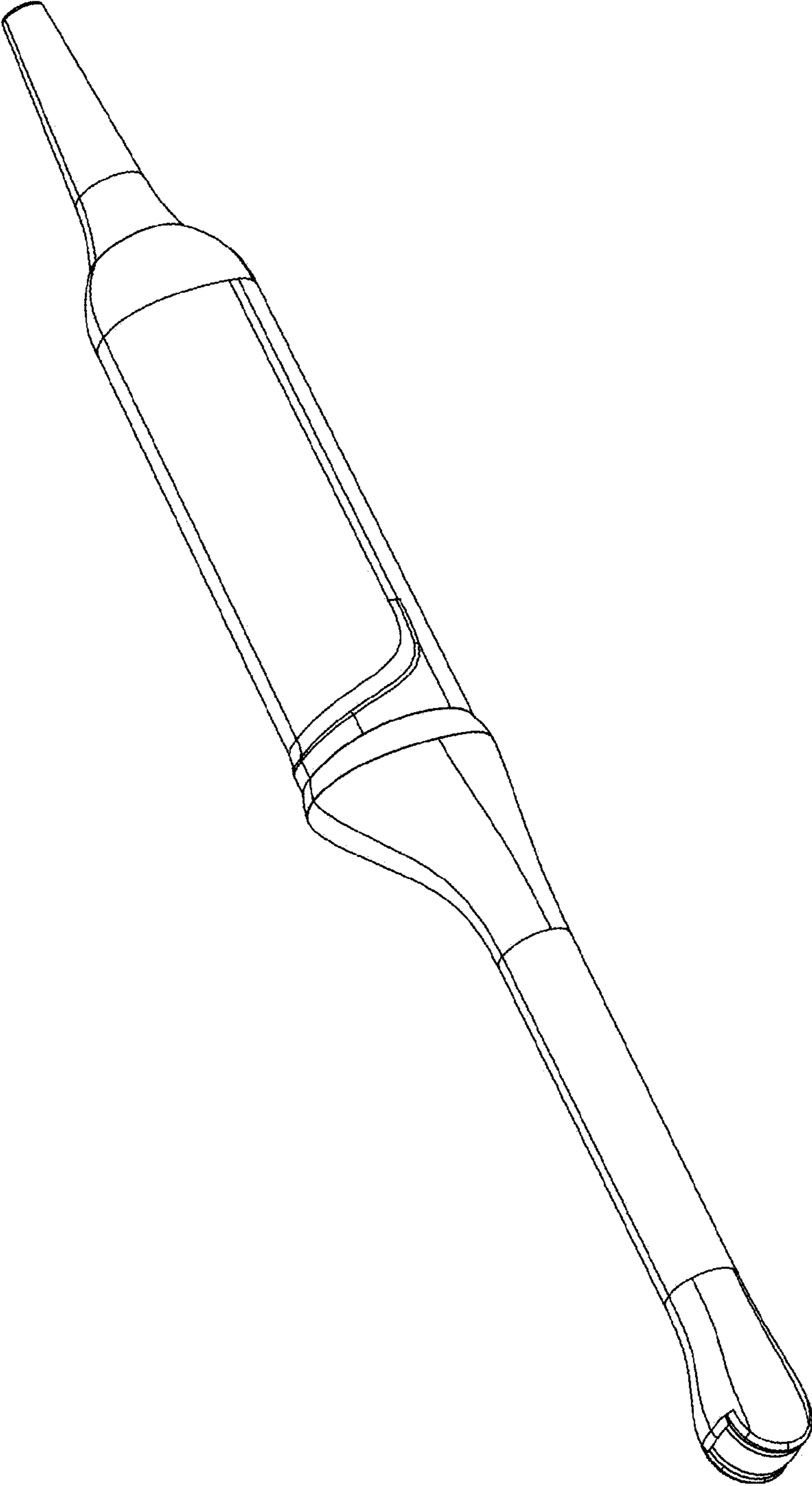


FIG. 2

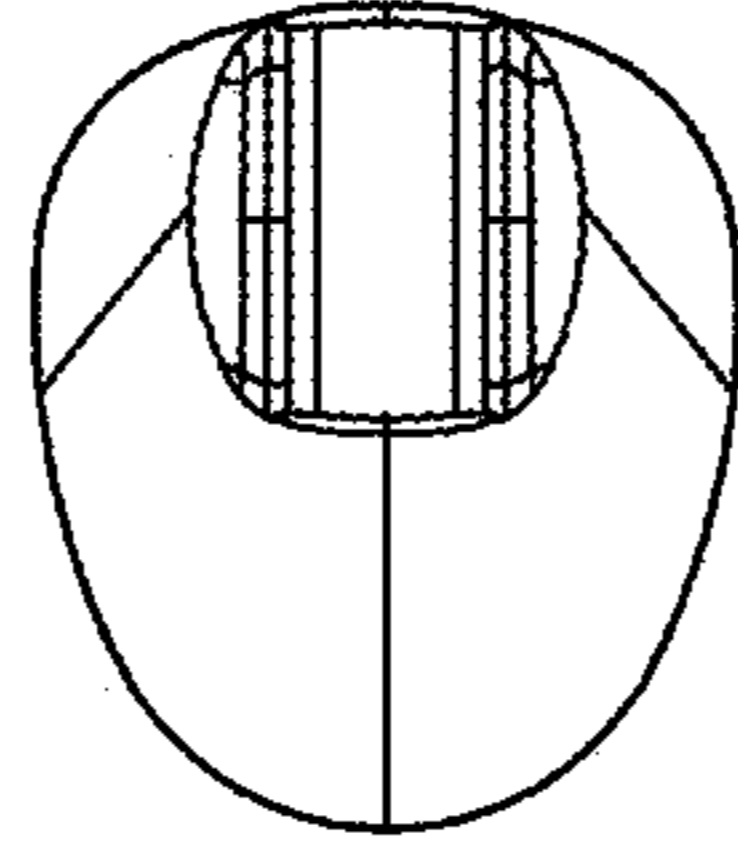


FIG. 3

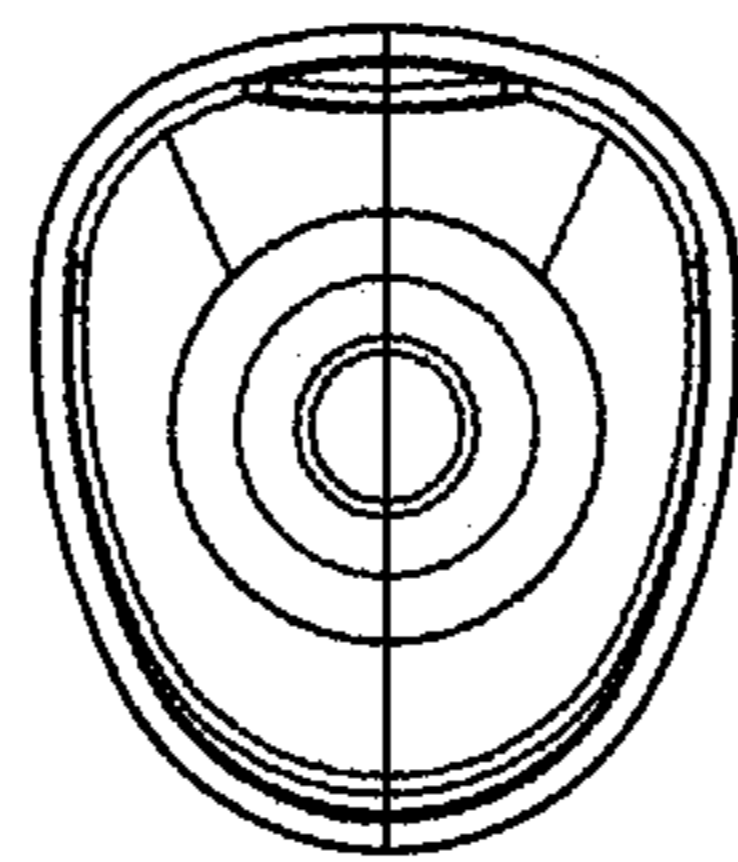


FIG. 4

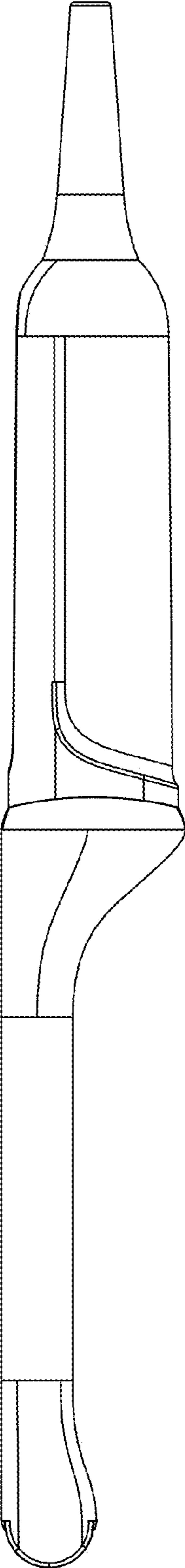


FIG. 5

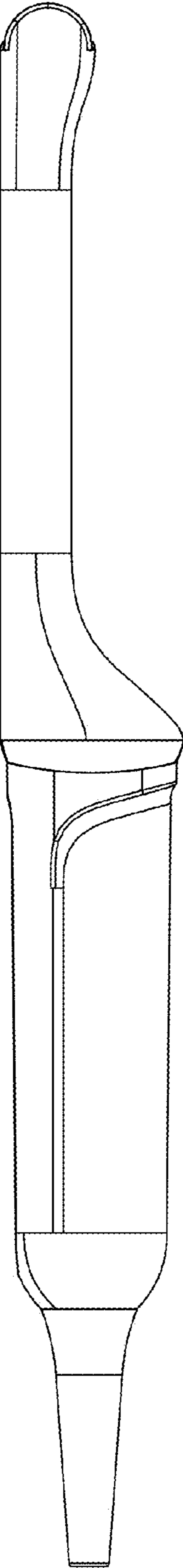


FIG. 6

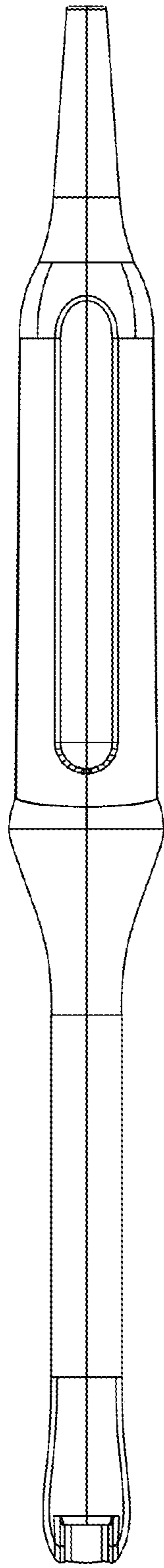


FIG. 7

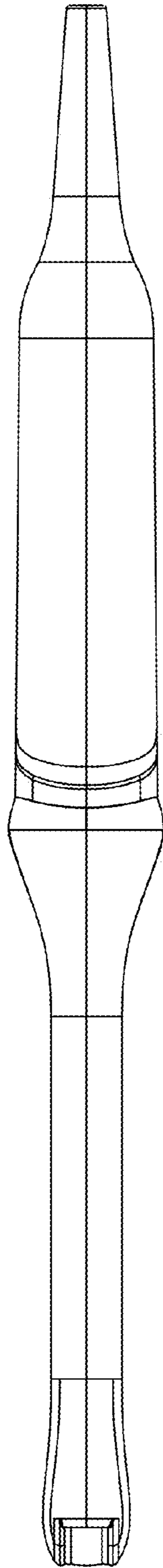


FIG. 8