



US00D728800S

(12) **United States Design Patent**
Klein et al.

(10) **Patent No.:** **US D728,800 S**
(45) **Date of Patent:** **** May 5, 2015**

- (54) **SURGICAL ARM SUPPORT**
- (71) Applicant: **Emory University**, Atlanta, GA (US)
- (72) Inventors: **Adam M. Klein**, Atlanta, GA (US);
Michael M. Johns, III, Atlanta, GA (US); **Bruce W. Copeland**, Stone Mountain, GA (US)
- (73) Assignee: **Emory University**, Atlanta, GA (US)
- (**) Term: **14 Years**
- (21) Appl. No.: **29/500,701**
- (22) Filed: **Aug. 27, 2014**
- (51) **LOC (10) Cl.** **24-01**
- (52) **U.S. Cl.**
USPC **D24/184**
- (58) **Field of Classification Search**
USPC 24/183-184, 200, 127, 171, 185, 158;
D6/501-502, 418, 366; D14/461, 452;
5/636-640, 632, 622-623, 658;
128/845-846, 869, 849; 602/16;
248/118.1, 118.3, 230.2, 118, 118.5,
248/279.1, 125.9; D12/421; 297/344.2,
297/411.35
See application file for complete search history.

5,410,769	A *	5/1995	Waterman	5/632
D373,344	S *	9/1996	Wissen, Jr.	D12/421
D377,125	S *	1/1997	Adamsson	D6/418
6,042,064	A *	3/2000	Hong	248/118.5
D438,725	S *	3/2001	Takahashi	D6/418
6,619,598	B2 *	9/2003	De Miranda	248/118.3
D518,894	S *	4/2006	Kirn	D24/184
7,055,910	B2 *	6/2006	Wright	297/411.35
7,322,060	B2 *	1/2008	Kirn	5/623
D606,345	S *	12/2009	Tsai	D6/501
D647,207	S *	10/2011	Buck	D24/185
8,322,342	B2 *	12/2012	Soto et al.	128/845
D679,020	S *	3/2013	Cuschieri et al.	D24/184
8,590,080	B1 *	11/2013	Staresinic	5/658

* cited by examiner

Primary Examiner — T. Chase Nelson
Assistant Examiner — Mark Cavanna
(74) *Attorney, Agent, or Firm* — Emory Patent Group

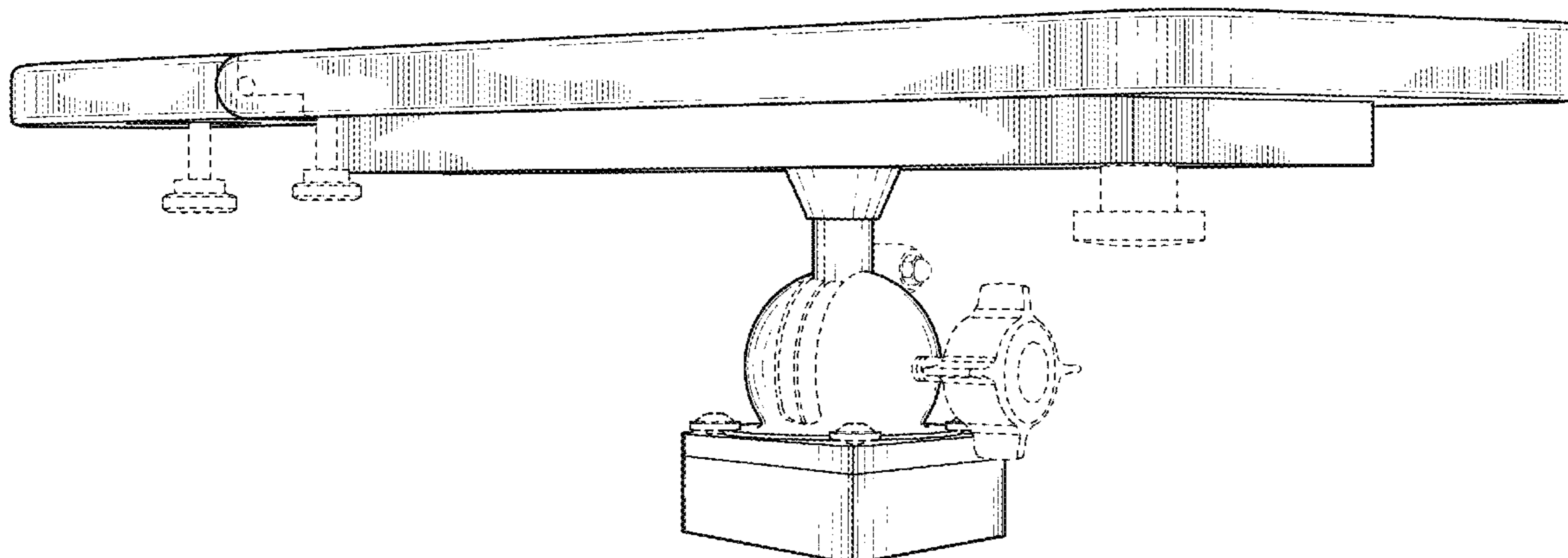
(57) **CLAIM**
The ornamental design for a surgical arm support, as shown and described.

DESCRIPTION

FIG. 1 is a perspective view of a surgical arm support, showing our new design;
FIG. 2 is a front view thereof;
FIG. 3 is a rear view thereof;
FIG. 4 is a top view thereof;
FIG. 5 is a bottom view thereof;
FIG. 6 is another top view thereof with a support platform in a pivot position;
FIG. 7 is a right-side view thereof; and,
FIG. 8 is a left-side view thereof.
The broken lines show unclaimed portions of the surgical arm support and form no part of the claimed design.

1 Claim, 5 Drawing Sheets

- (56) **References Cited**
U.S. PATENT DOCUMENTS
3,124,328 A * 3/1964 Kortsch 248/118
3,894,601 A * 7/1975 Gestring 297/344.2
4,069,995 A * 1/1978 Miller 248/118.1
4,913,393 A * 4/1990 Wood 248/230.2
D318,589 S * 7/1991 Szadkowski D6/501
D331,921 S * 12/1992 Gutke et al. D14/452



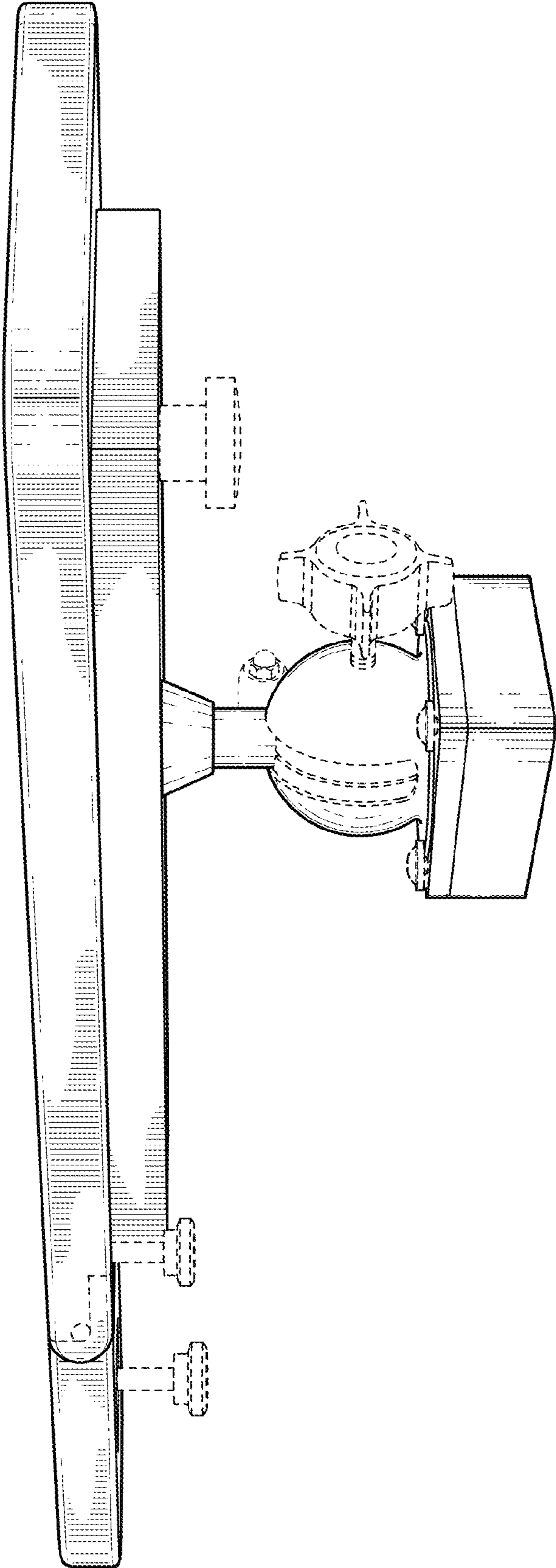
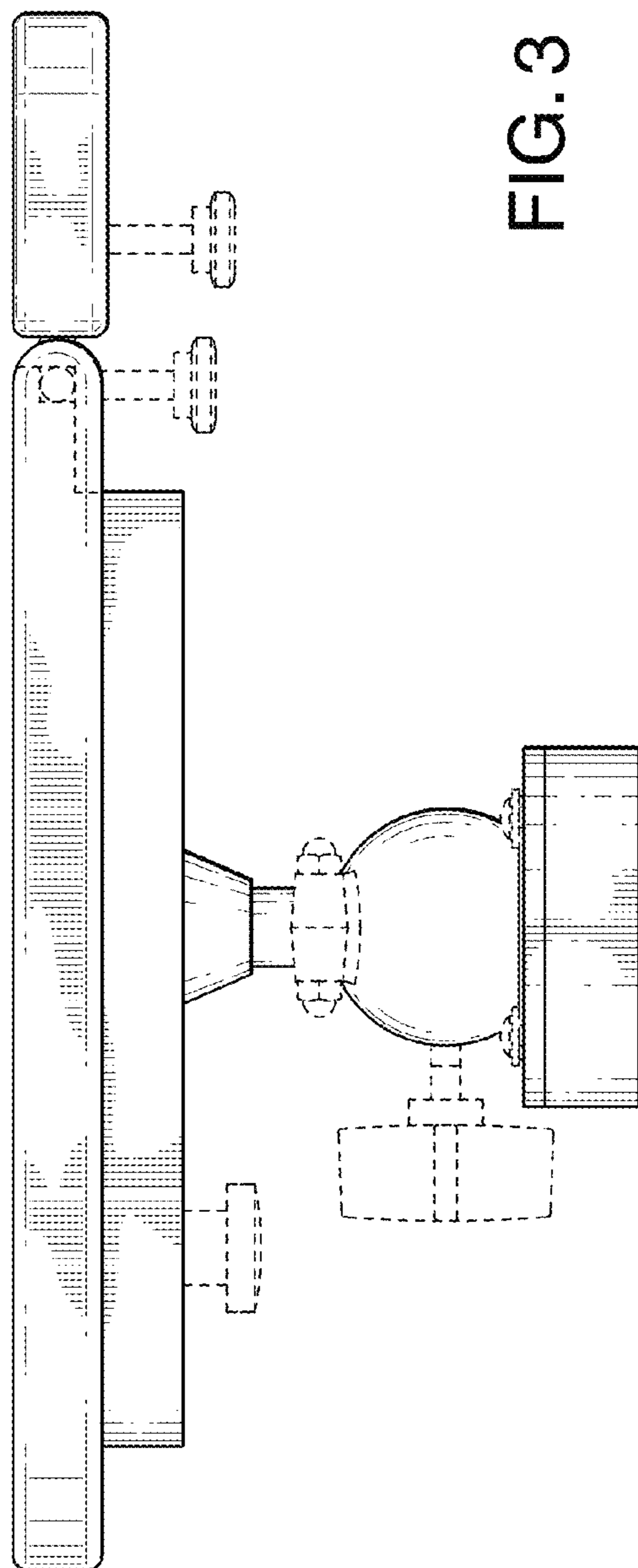
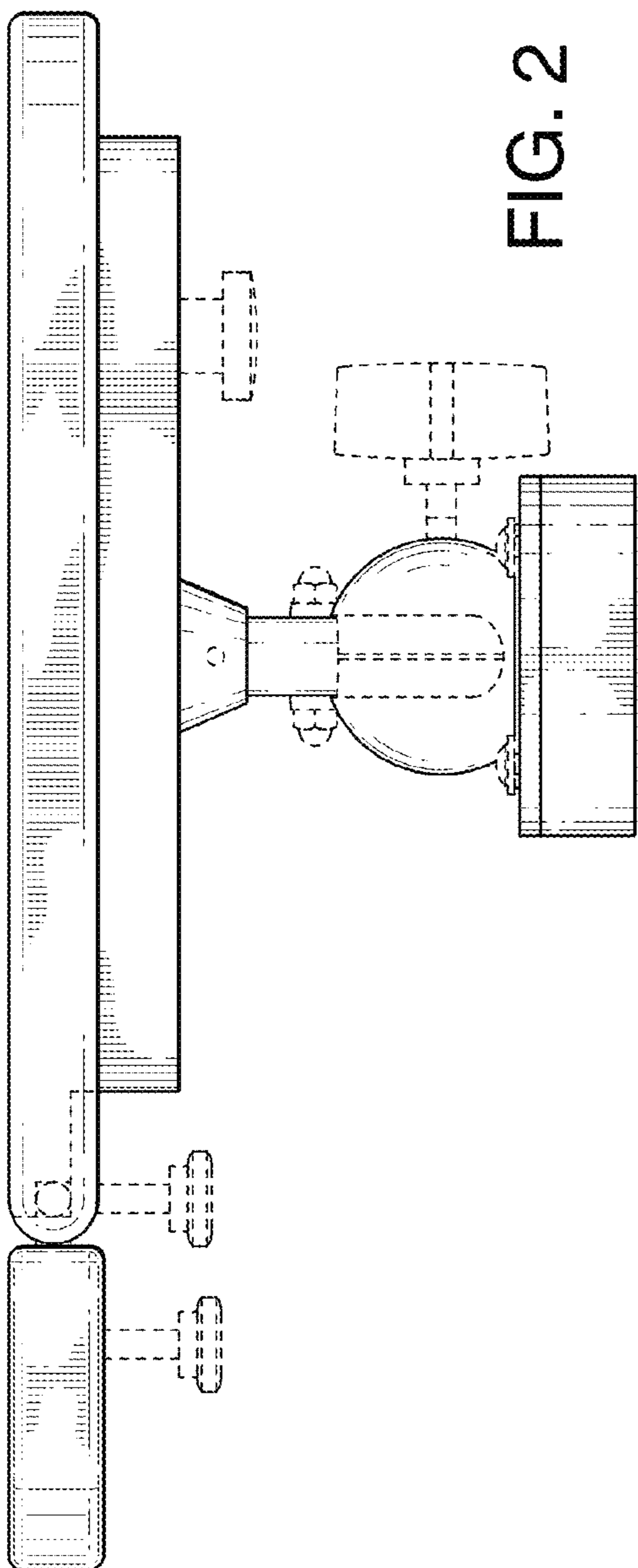


FIG. 1



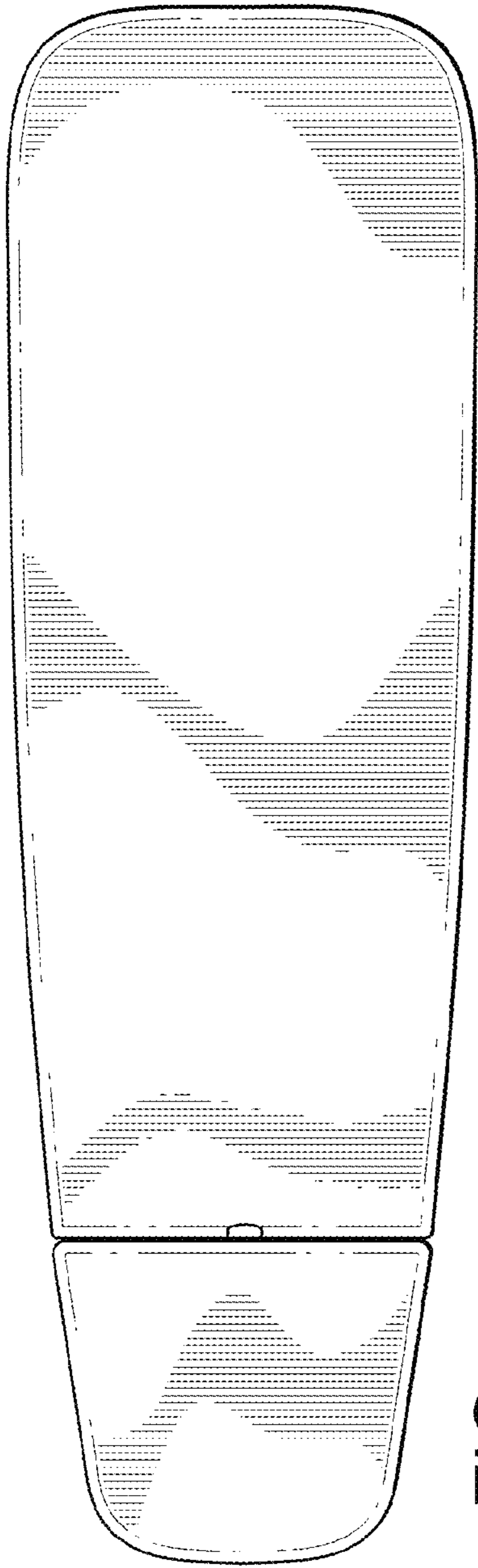


FIG. 4

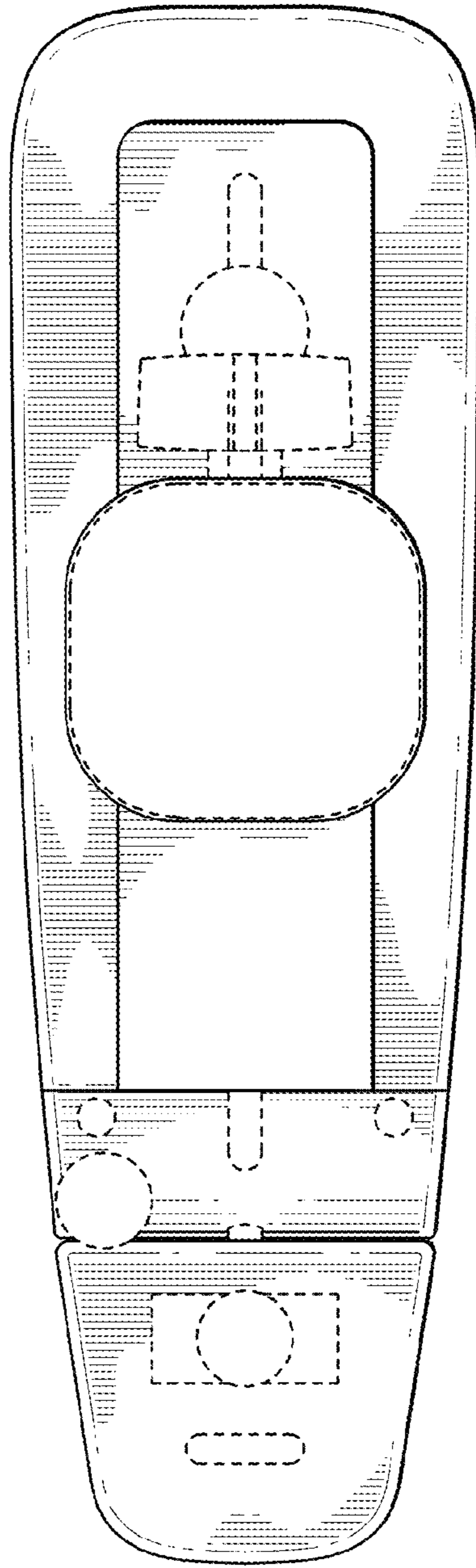


FIG. 5

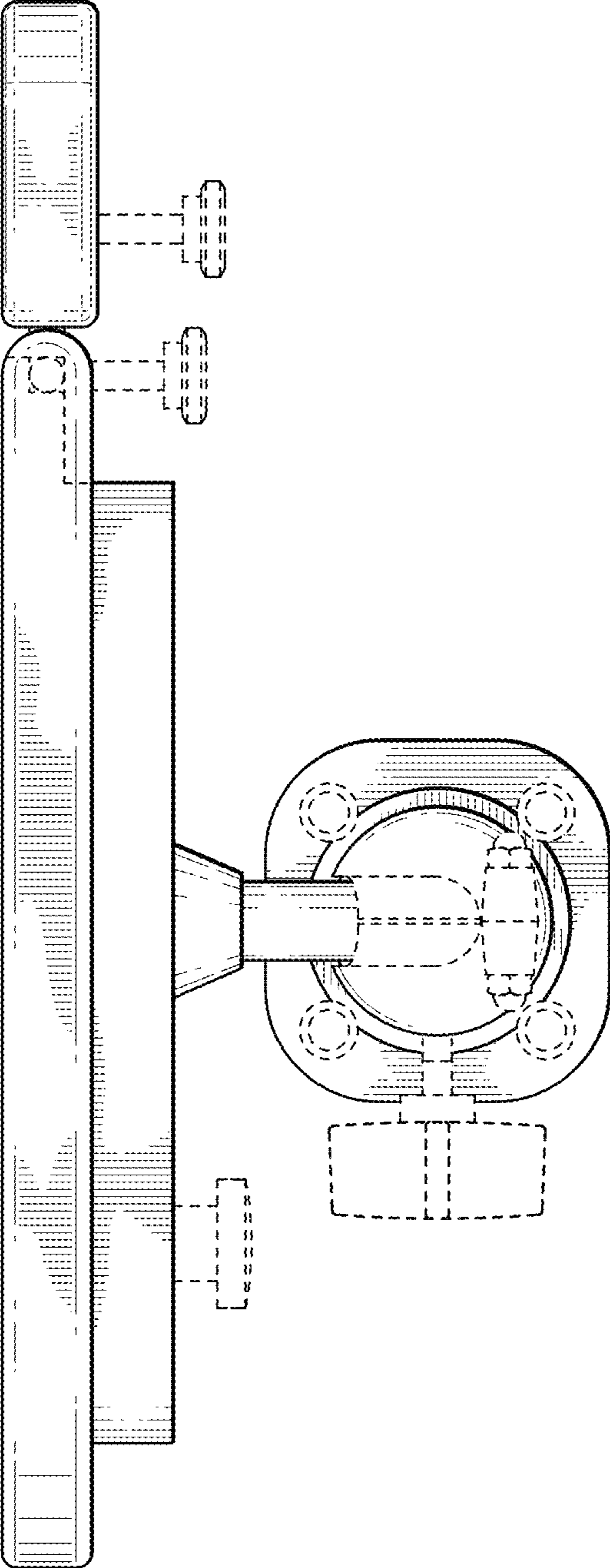


FIG. 6

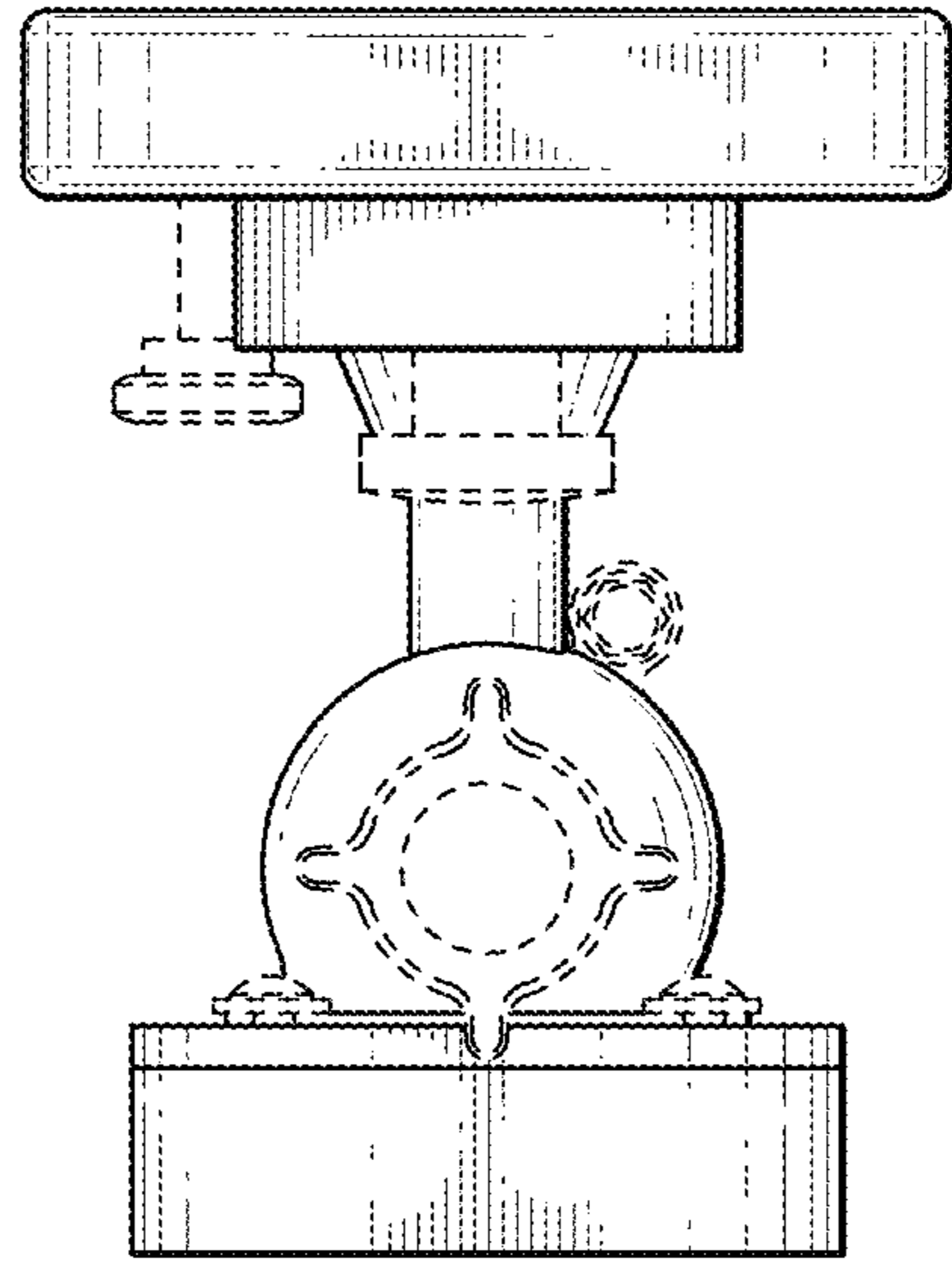


FIG. 7

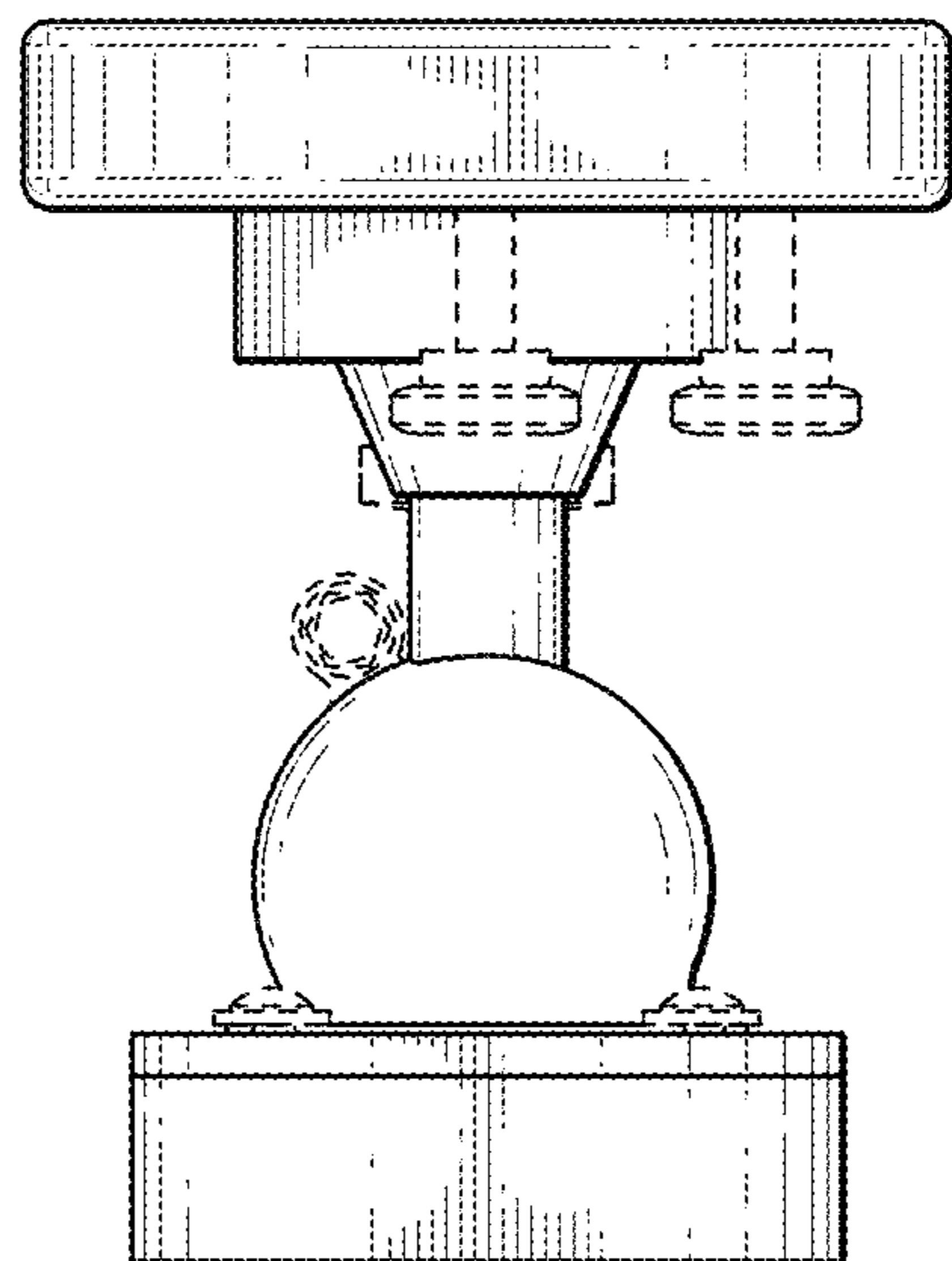


FIG. 8