



US00D728799S

(12) **United States Design Patent**
Ravikumar et al.

(10) **Patent No.:** **US D728,799 S**
(45) **Date of Patent:** **** May 5, 2015**

- (54) **LEG ELEVATION APPARATUS**
- (71) Applicants: **Sundaram Ravikumar**, Briarcliff Manor, NY (US); **Varun Ponmudi**, Dobbs Ferry, NY (US)
- (72) Inventors: **Sundaram Ravikumar**, Briarcliff Manor, NY (US); **Varun Ponmudi**, Dobbs Ferry, NY (US)
- (73) Assignee: **Sun Scientific, Inc.**, Dobbs Ferry, NY (US)
- (**) Term: **14 Years**
- (21) Appl. No.: **29/499,079**
- (22) Filed: **Aug. 11, 2014**

5,125,123	A *	6/1992	Engle	5/648
5,134,739	A *	8/1992	Gaffe et al.	5/648
D345,797	S *	4/1994	Gardner	D24/183
D359,804	S *	6/1995	Carter	D24/183
5,477,866	A *	12/1995	Davenport	5/648
D370,066	S *	5/1996	Kennemore	D24/183
5,584,303	A *	12/1996	Walle	5/648
D386,643	S *	11/1997	Farrell	D6/601
D387,167	S *	12/1997	Klein	D24/183
5,745,939	A *	5/1998	Flick et al.	5/648
D413,981	S *	9/1999	Swedberg et al.	D24/190
5,997,491	A *	12/1999	Harris	602/6
D422,362	S *	4/2000	Ames	D24/183
D424,698	S *	5/2000	Ames	D24/183
6,175,979	B1 *	1/2001	Jackson	5/648
D455,311	S *	4/2002	Fux	D6/601
D464,520	S *	10/2002	Bond	D6/601
D521,301	S *	5/2006	Dickson	D6/601
D548,353	S *	8/2007	Maesawa et al.	D24/212

(Continued)

Primary Examiner — T. Chase Nelson
Assistant Examiner — Mark Cavanna

Related U.S. Application Data

- (62) Division of application No. 29/402,675, filed on Sep. 26, 2011, now Pat. No. Des. 711,000.
- (51) **LOC (10) Cl.** **24-01**
- (52) **U.S. Cl.**
USPC **D24/184**
- (58) **Field of Classification Search**
USPC D24/183–184, 190, 213, 215, 200, 212;
D6/502, 595, 596, 601, 648; 128/845,
128/869, 882; 5/636–640, 644, 646, 648,
5/650, 652; 602/6; 607/114; 2/22
See application file for complete search history.

(57) **CLAIM**

The ornamental design for a leg elevation apparatus, as shown and described.

DESCRIPTION

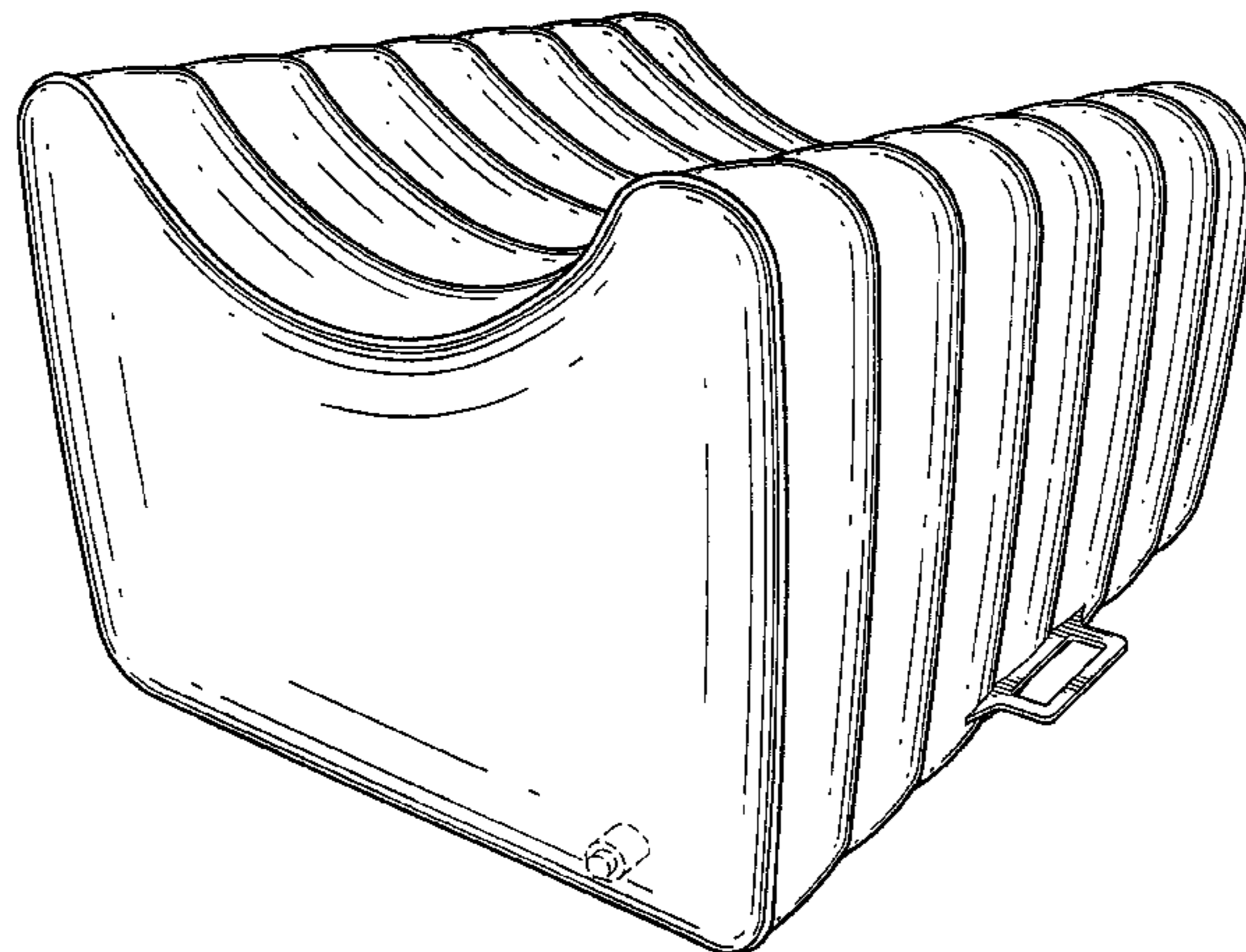
FIG. 1 is a perspective view of the present invention of a leg elevation apparatus having a pair of buckles;
 FIG. 2 is a rear view of the leg elevation apparatus of FIG. 1;
 FIG. 3 is a left side view of the leg elevation apparatus of FIG. 1;
 FIG. 4 is a front view of the leg elevation apparatus of FIG. 1;
 FIG. 5 is a top view of the leg elevation apparatus of FIG. 1;
 and,
 FIG. 6 is a bottom view of the leg elevation apparatus of FIG. 1.
 The broken lines shown in the drawings represent unclaimed portions of the leg elevation apparatus and form no part of the claimed design.

1 Claim, 6 Drawing Sheets

(56) **References Cited**

U.S. PATENT DOCUMENTS

3,931,654	A *	1/1976	Spann	5/650
3,946,451	A *	3/1976	Spann	5/652
4,071,031	A *	1/1978	Lowman	607/114
4,266,298	A *	5/1981	Graziano	2/22
D296,932	S *	7/1988	Tranghese	D24/183
D311,470	S *	10/1990	Cosgrove et al.	D6/601
D321,562	S *	11/1991	Ljungvall	D24/183



US D728,799 S

Page 2

(56)

References Cited

U.S. PATENT DOCUMENTS

D642,694 S *	8/2011	Sharps et al.	D24/190
D663,426 S *	7/2012	Davis, III	D24/183
2013/0319426 A1 *	12/2013	Castle	128/845
D625,421 S *	10/2010	Sharps et al.	D24/184

* cited by examiner

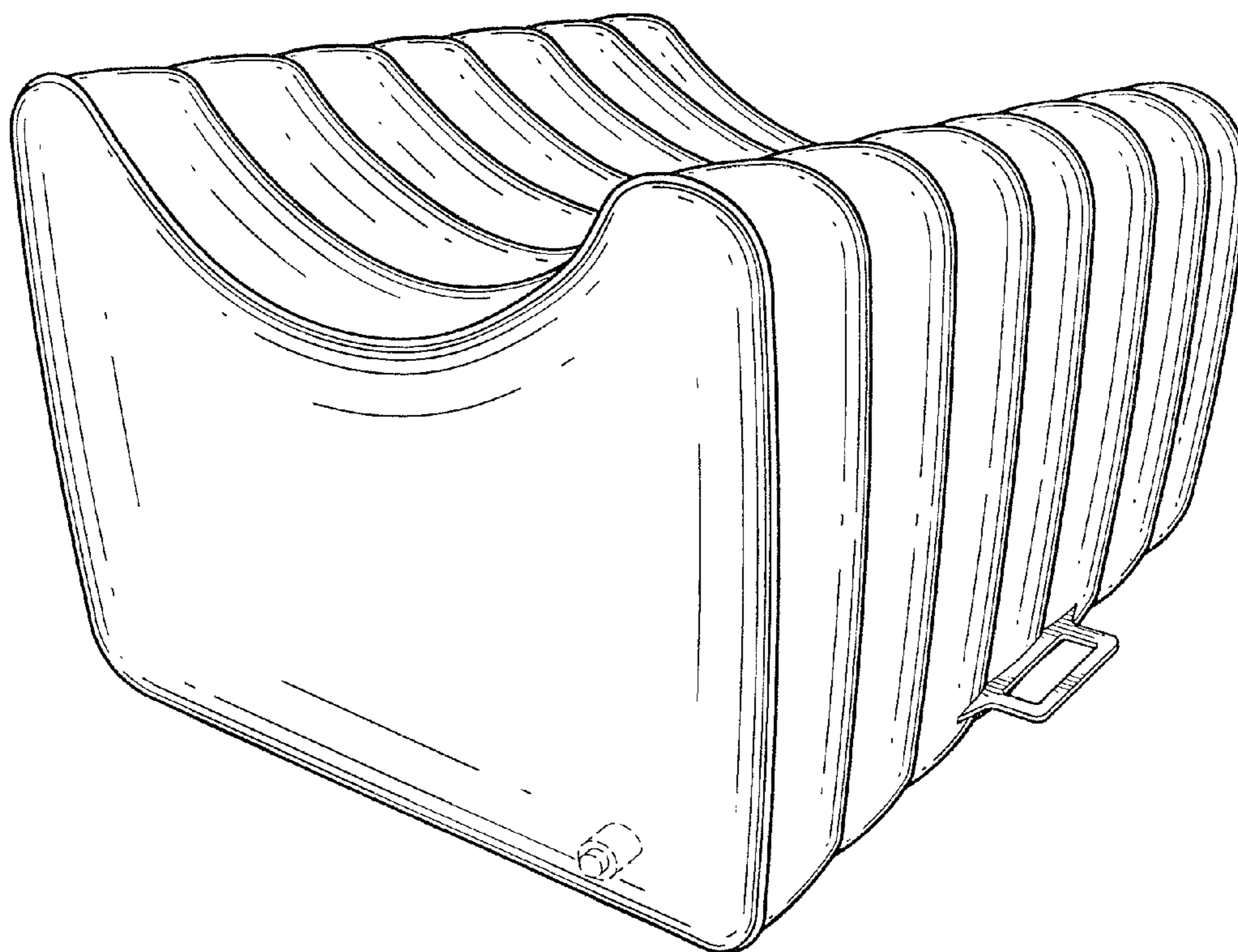


FIG. 1

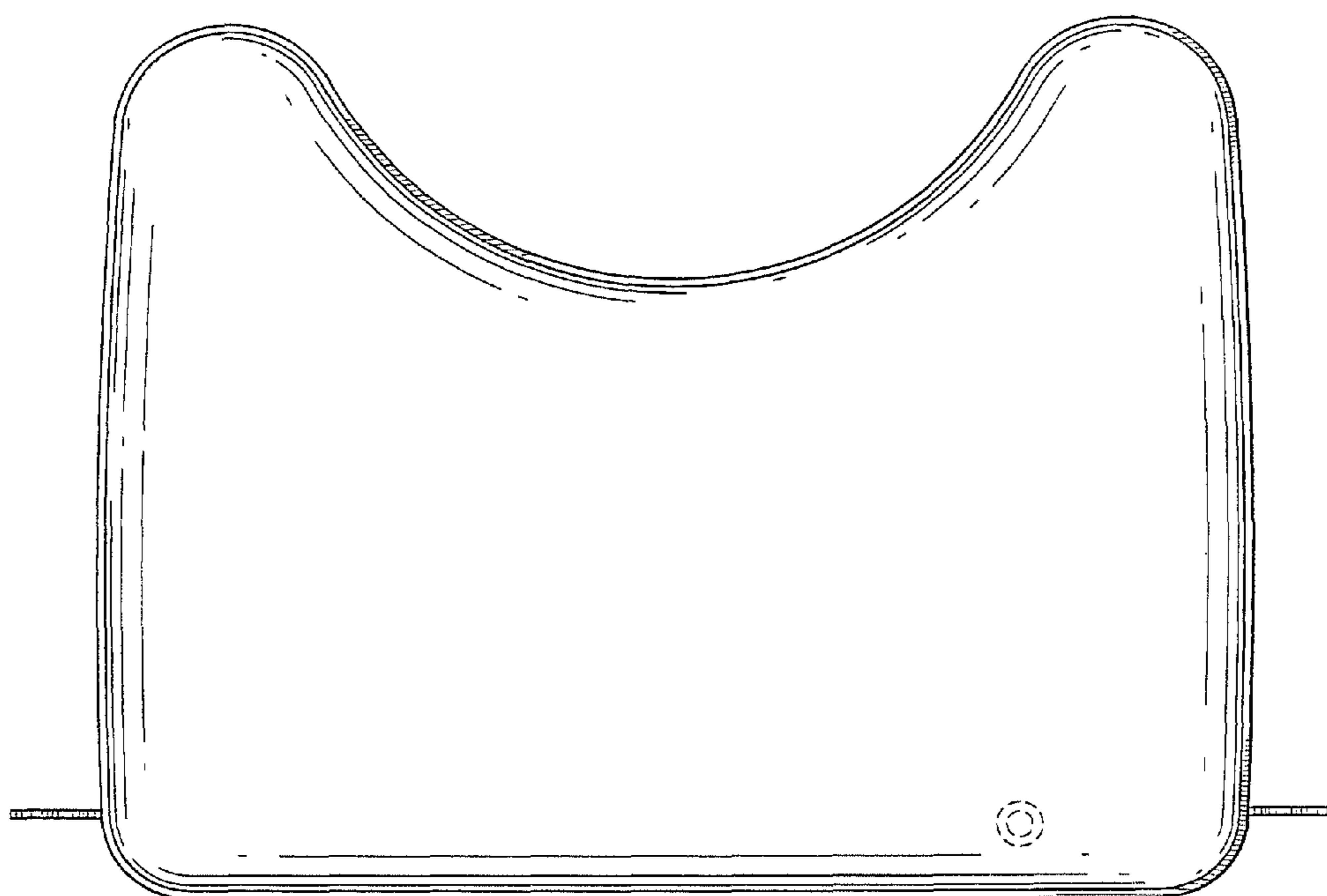


FIG. 2

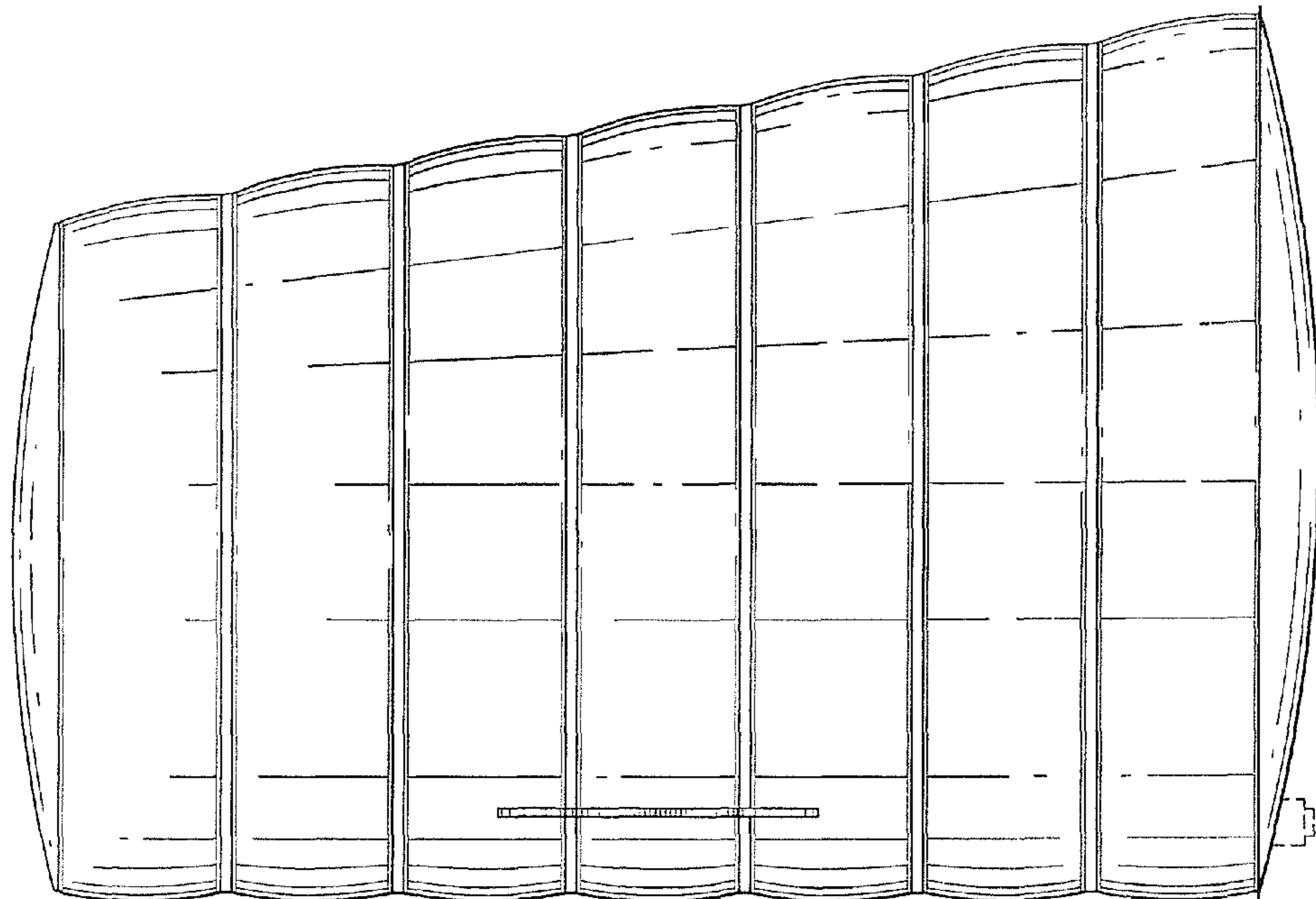


FIG. 3

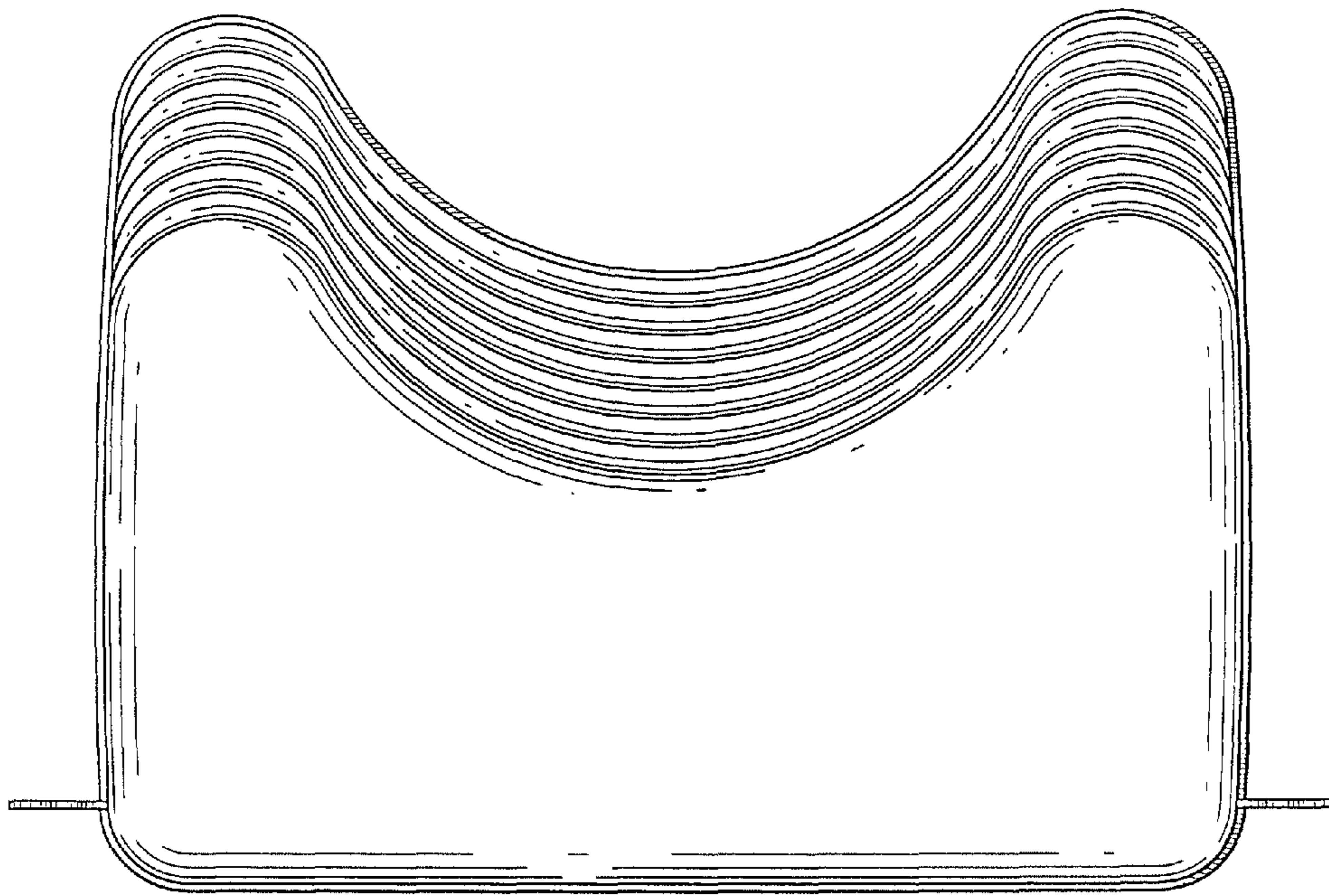


FIG. 4

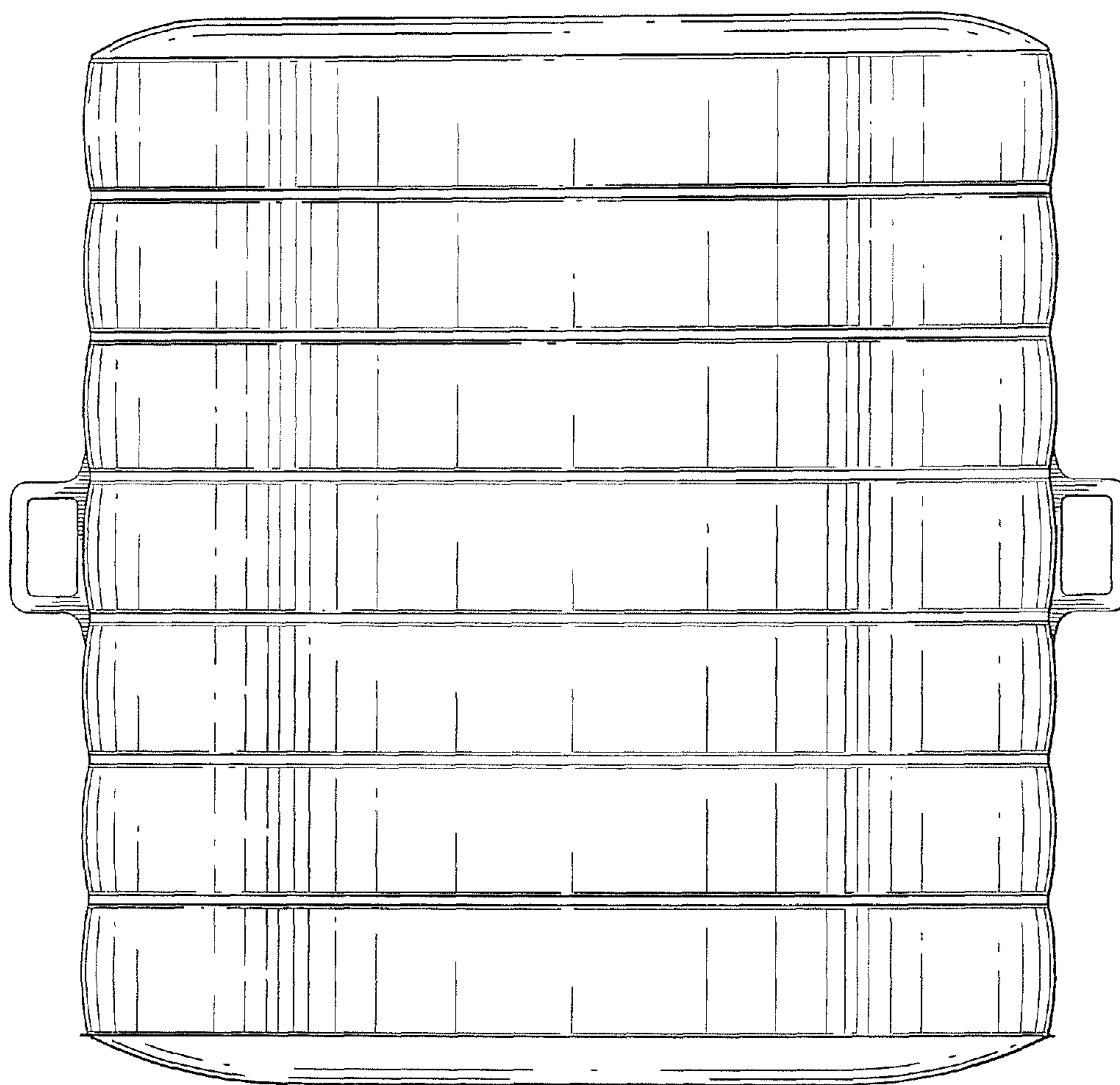


FIG. 5

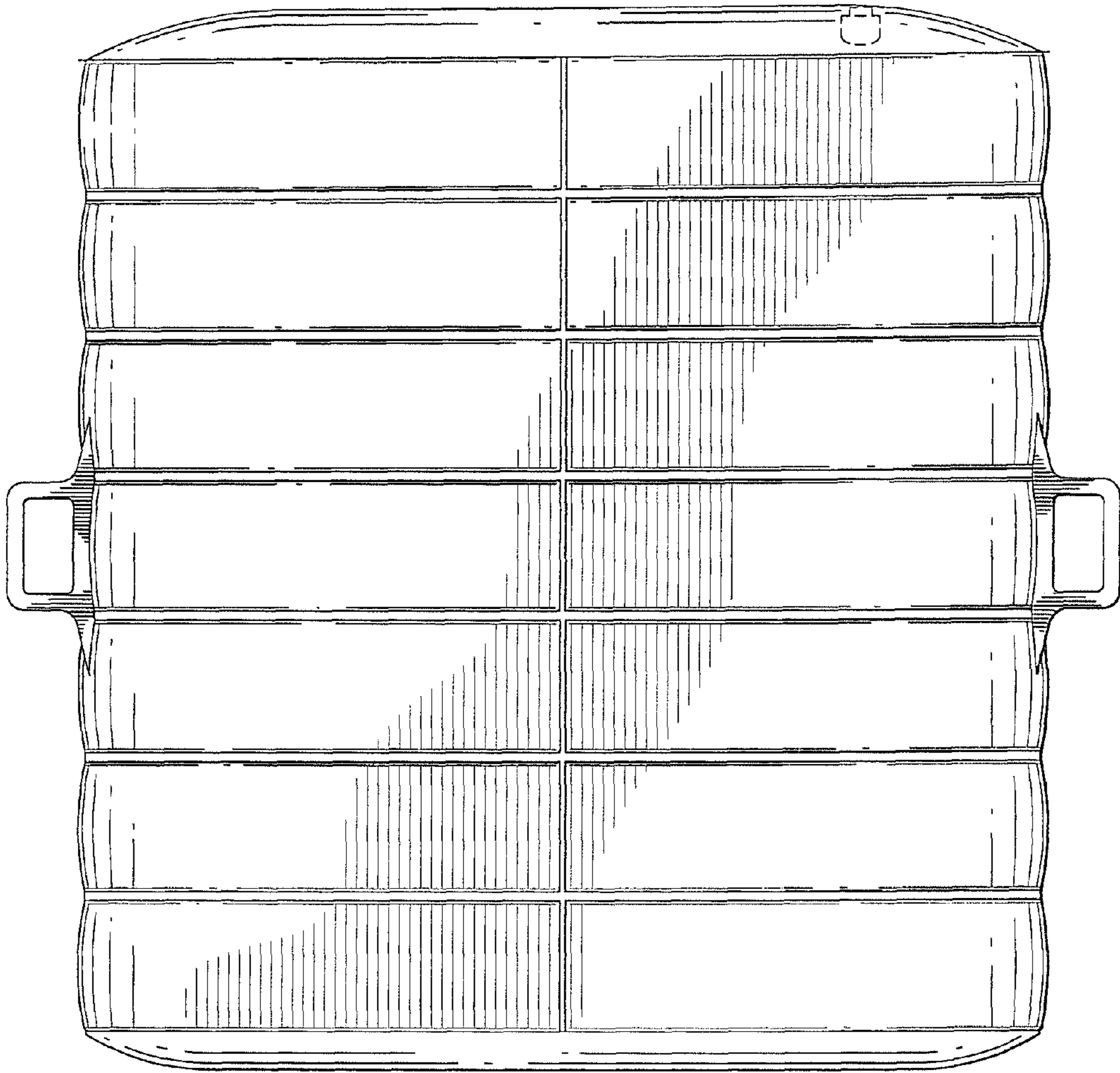


FIG. 6