



US00D728798S

(12) **United States Design Patent**
Moon

(10) **Patent No.:** **US D728,798 S**

(45) **Date of Patent:** **** May 5, 2015**

(54) **MOBILE ARM SUPPORT WITH ADJUSTABLE HEIGHT**

(71) Applicant: **Steven Franklin Moon**, Brentwood, CA (US)

(72) Inventor: **Steven Franklin Moon**, Brentwood, CA (US)

(**) Term: **14 Years**

(21) Appl. No.: **29/493,729**

(22) Filed: **Jun. 12, 2014**

(51) **LOC (10) Cl.** **24-01**

(52) **U.S. Cl.**
USPC **D24/184**

(58) **Field of Classification Search**
USPC 24/183-184, 200, 127, 171, 185, 158;
D6/501-502, 418, 366; D14/461, 452;
5/636-640, 632, 622-623;
128/845-846, 869, 849; 602/16;
248/118.1, 118.3, 230.2, 118, 118.5,
248/279.1, 125.9; D12/421

See application file for complete search history.

(56) **References Cited**

U.S. PATENT DOCUMENTS

4,069,995	A *	1/1978	Miller	248/118.1
D253,568	S *	12/1979	Brink	D6/501
4,913,393	A *	4/1990	Wood	248/230.2
D318,589	S *	7/1991	Szadkowski	D6/501
5,158,256	A *	10/1992	Gross	248/118.3
5,161,760	A *	11/1992	Terbrack	248/118
D331,921	S *	12/1992	Gutke et al.	D14/452
5,410,769	A *	5/1995	Waterman	5/632
D361,383	S *	8/1995	Lipson et al.	D24/183
D373,344	S *	9/1996	Wissen, Jr.	D12/421
D375,163	S *	10/1996	Lipson et al.	D24/183
D377,125	S *	1/1997	Adamsson	D6/418
5,853,223	A	12/1998	Ritt et al.	
5,884,974	A	3/1999	Bergsten et al.	
6,042,064	A *	3/2000	Hong	248/118.5
D438,725	S *	3/2001	Takahashi	D6/418
6,619,598	B2 *	9/2003	De Miranda	248/118.3

6,626,408	B1 *	9/2003	Lorbiecki et al.	248/279.1
6,773,071	B1	8/2004	Stasney et al.	
6,923,505	B2	8/2005	Siminovitch et al.	
D518,894	S *	4/2006	Kirn	D24/184

(Continued)

FOREIGN PATENT DOCUMENTS

EP 2567636 A1 3/2013

Primary Examiner — T. Chase Nelson

Assistant Examiner — Mark Cavanna

(74) *Attorney, Agent, or Firm* — Sharon Adams; Adams Law Office

(57) **CLAIM**

The ornamental design for a mobile arm support with adjustable height, as shown and described.

DESCRIPTION

FIG. 1 is an enlarged perspective view of a mobile arm support with adjustable height showing my new design, wherein the stippled portion represents foam connected with a solid support.

FIG. 2 is an elevational view of the large end of the invention, wherein the broken circular line represents the scope of the detail view shown in FIG. 7.

FIG. 3 is side elevational view of the invention, wherein the left and right sides are mirror images of each other.

FIG. 4 is top plan view, showing the relative sizes and shapes of arm support and leg portion of the invention.

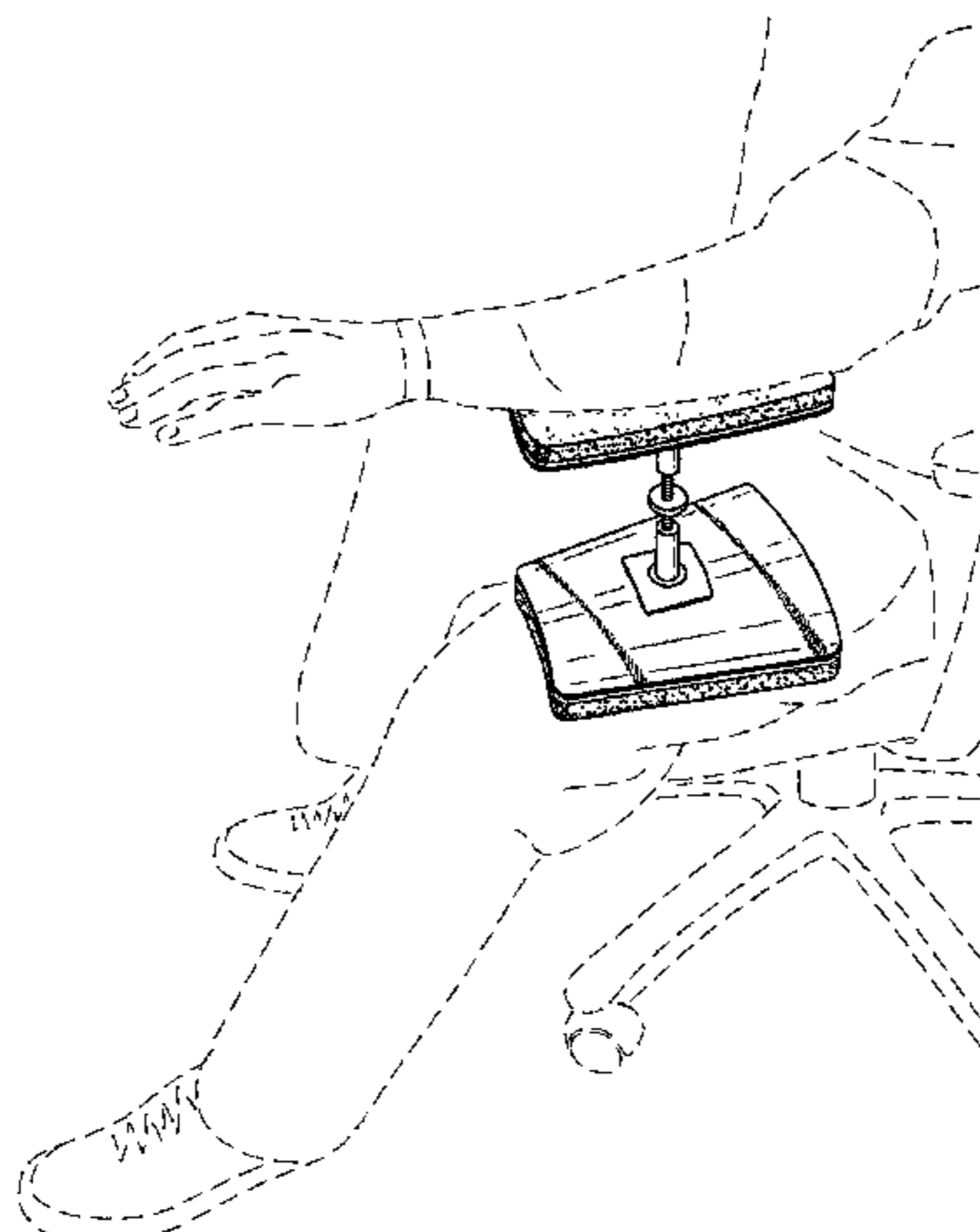
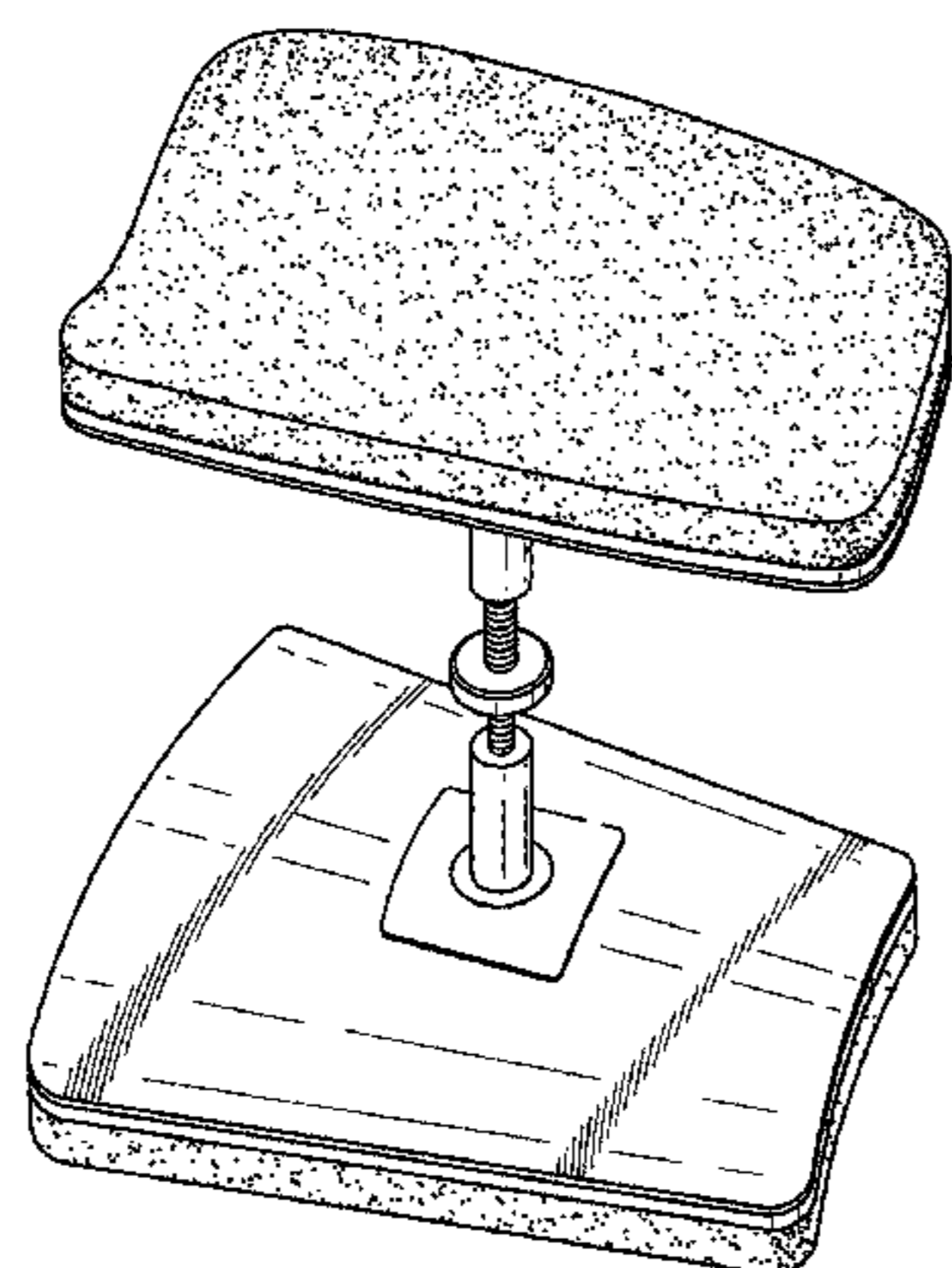
FIG. 5 is bottom plan view of the invention.

FIG. 6 is an enlarged detail view of the bi-directional threaded bolt, which allows for height adjustment between arm support and leg portion, and which in this view is shown removed from the remainder of the mobile arm support for purposes of full depiction.

FIG. 7 is an enlarged detail view of a portion of FIG. 2 within the scope of the broken circular line; and,

FIG. 8 is a perspective view of the invention, with the broken lines showing the environmental structure, and forming no part of the claimed design.

1 Claim, 4 Drawing Sheets



US D728,798 S

Page 2

(56)

References Cited

U.S. PATENT DOCUMENTS

D606,345 S * 12/2009 Tsai D6/501
D647,207 S * 10/2011 Buck D24/185

D655,418 S * 3/2012 Hancock D24/183
8,590,080 B1 * 11/2013 Staresinic 248/125.9
2011/0266411 A1 11/2011 Silverberg et al.

* cited by examiner

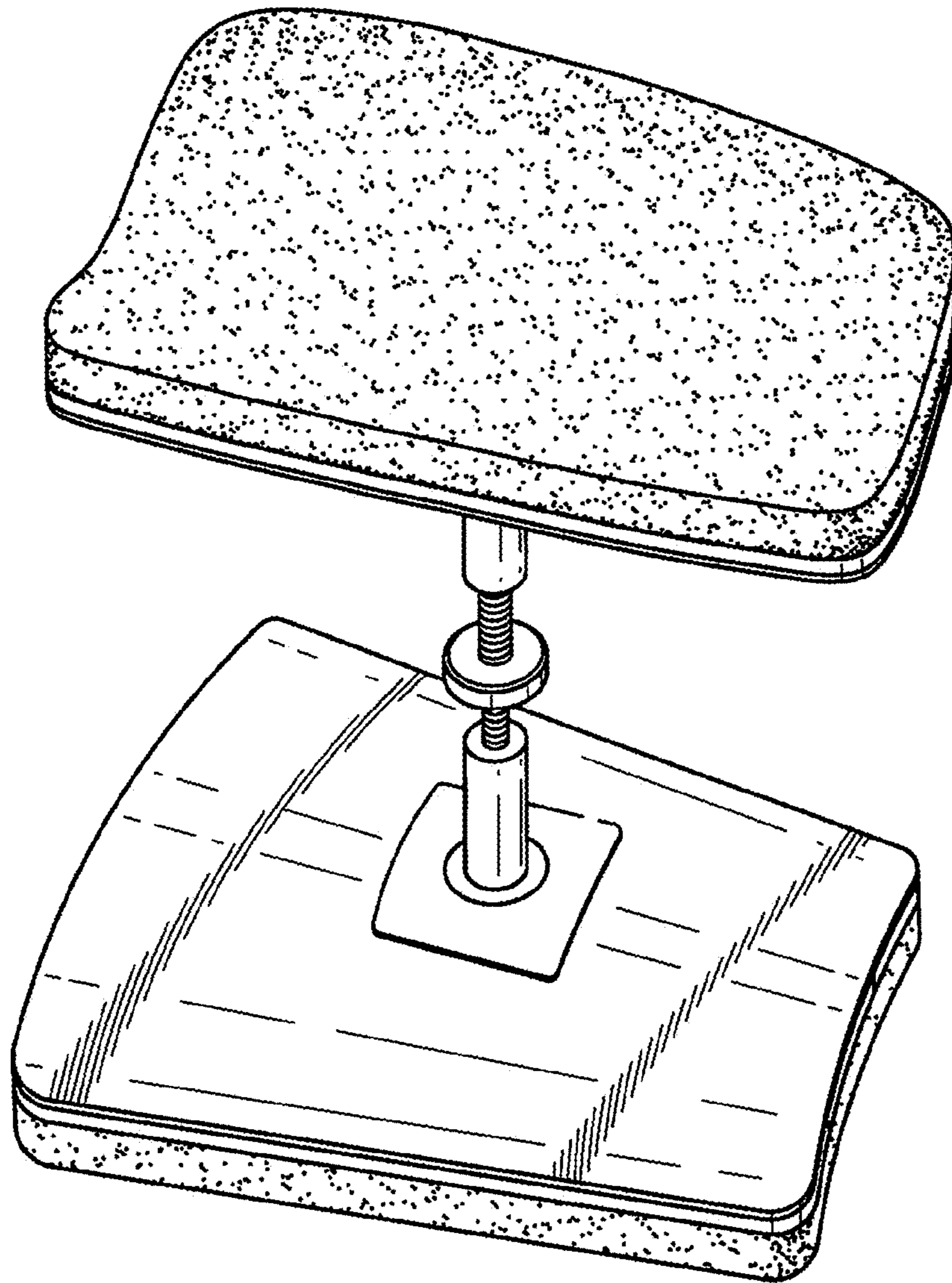


FIG. 1

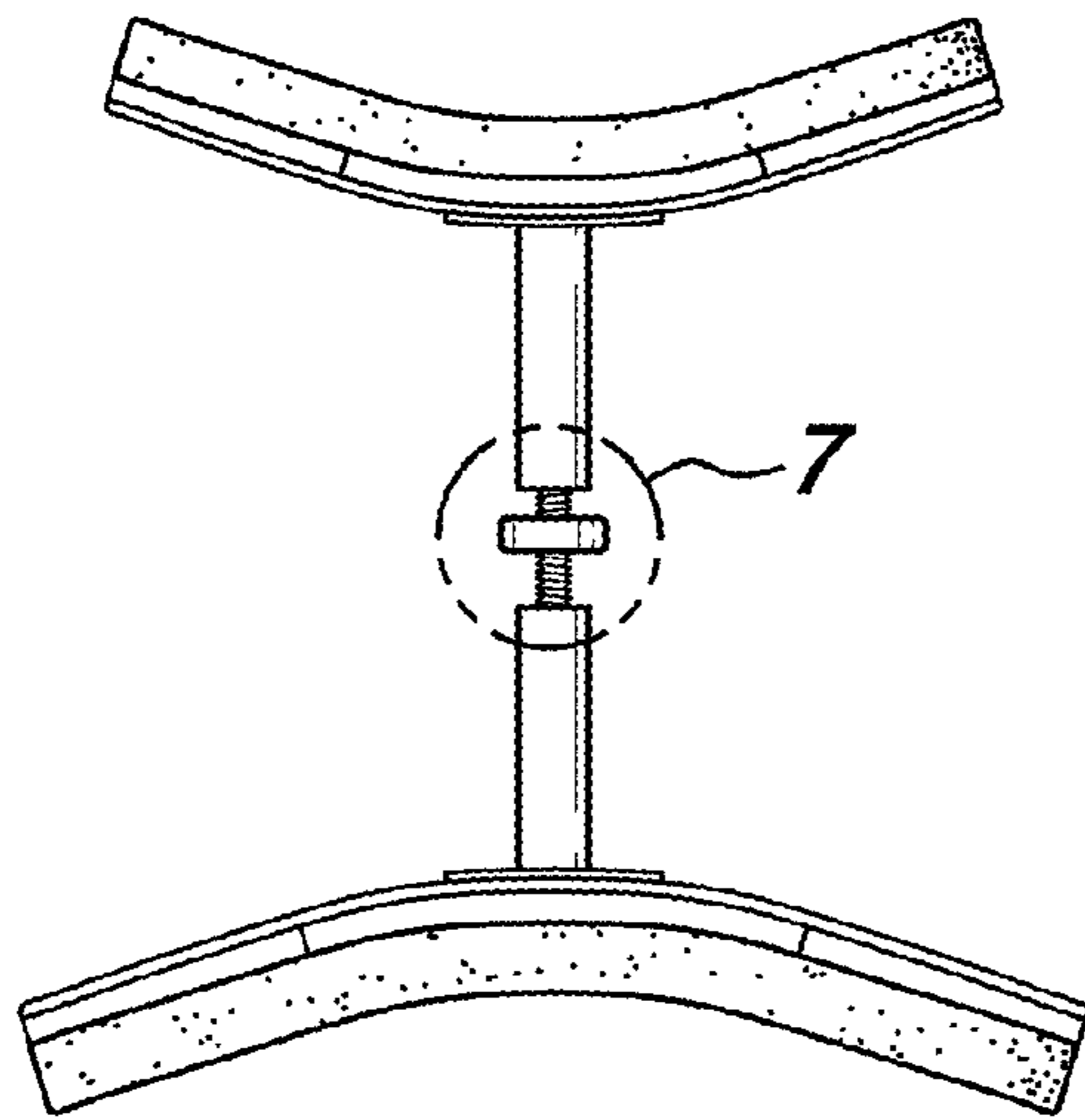


FIG. 2

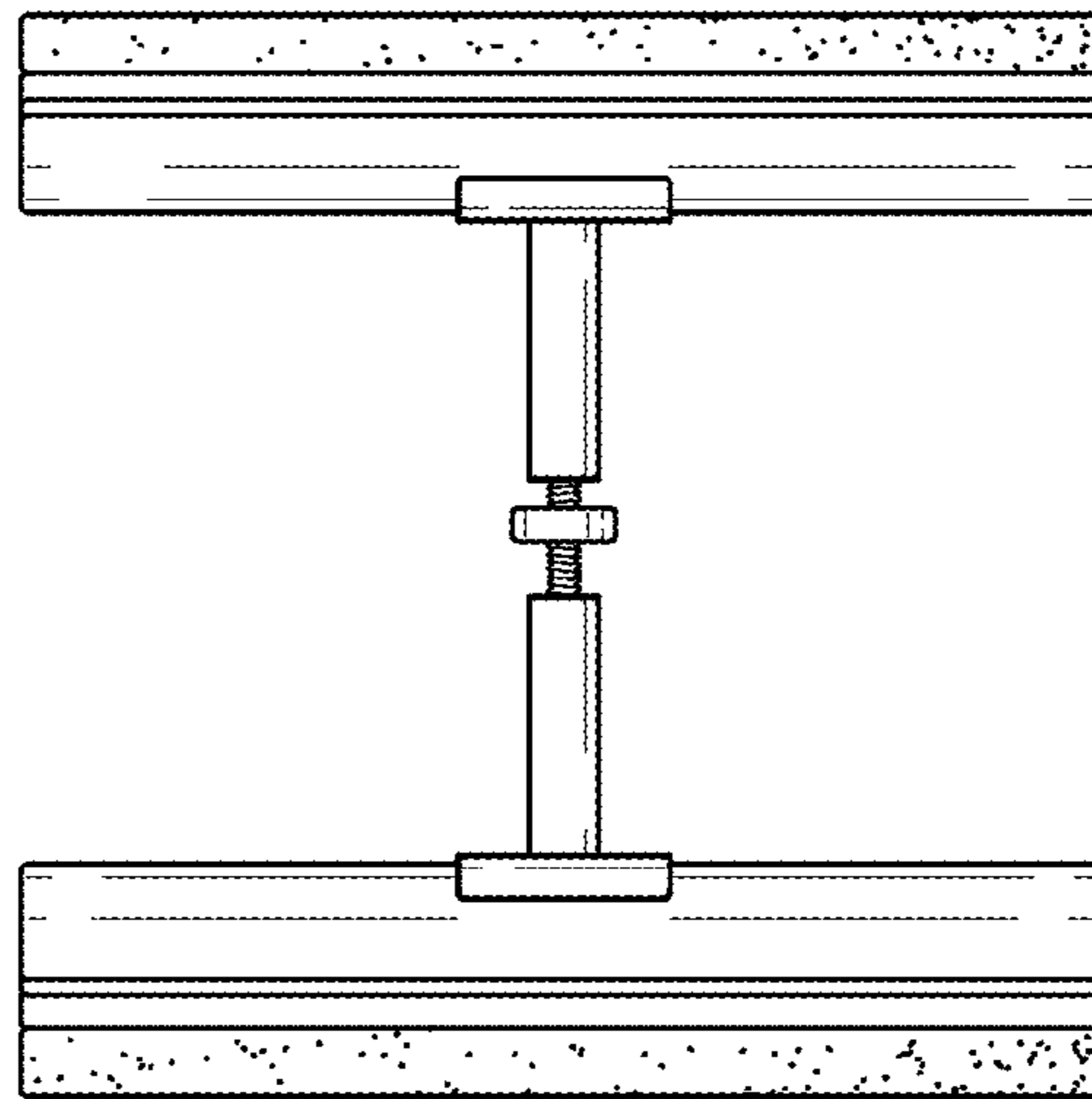


FIG. 3

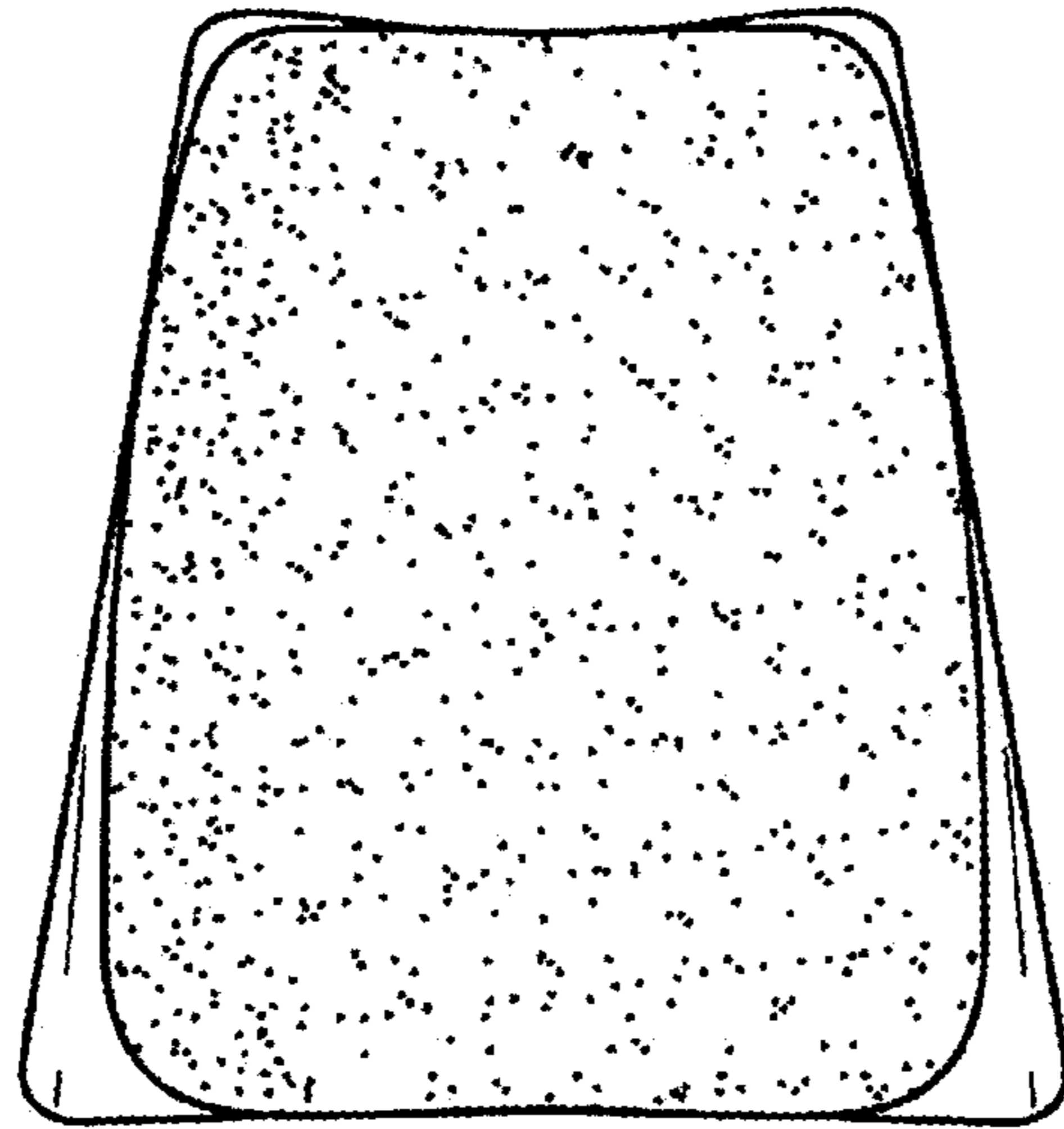


FIG. 4

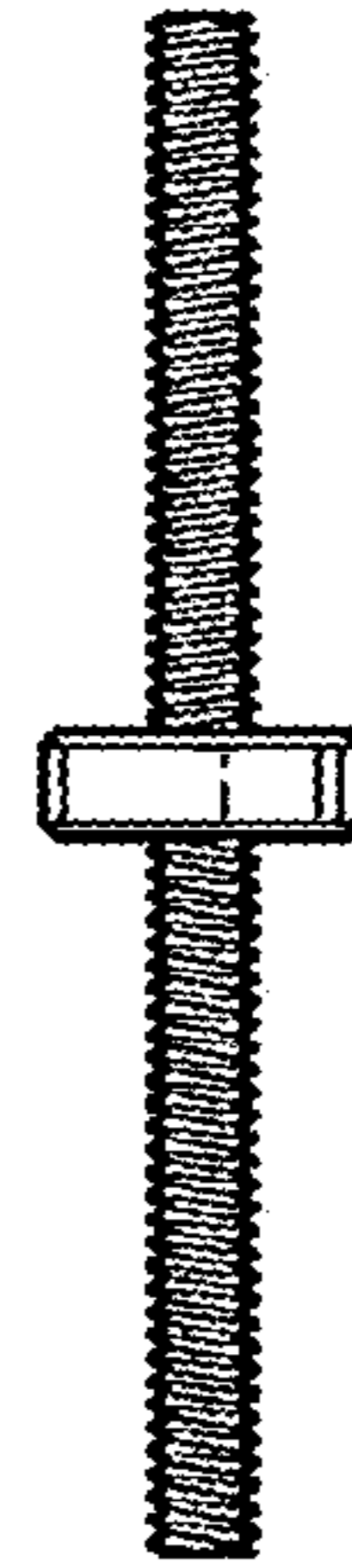


FIG. 6

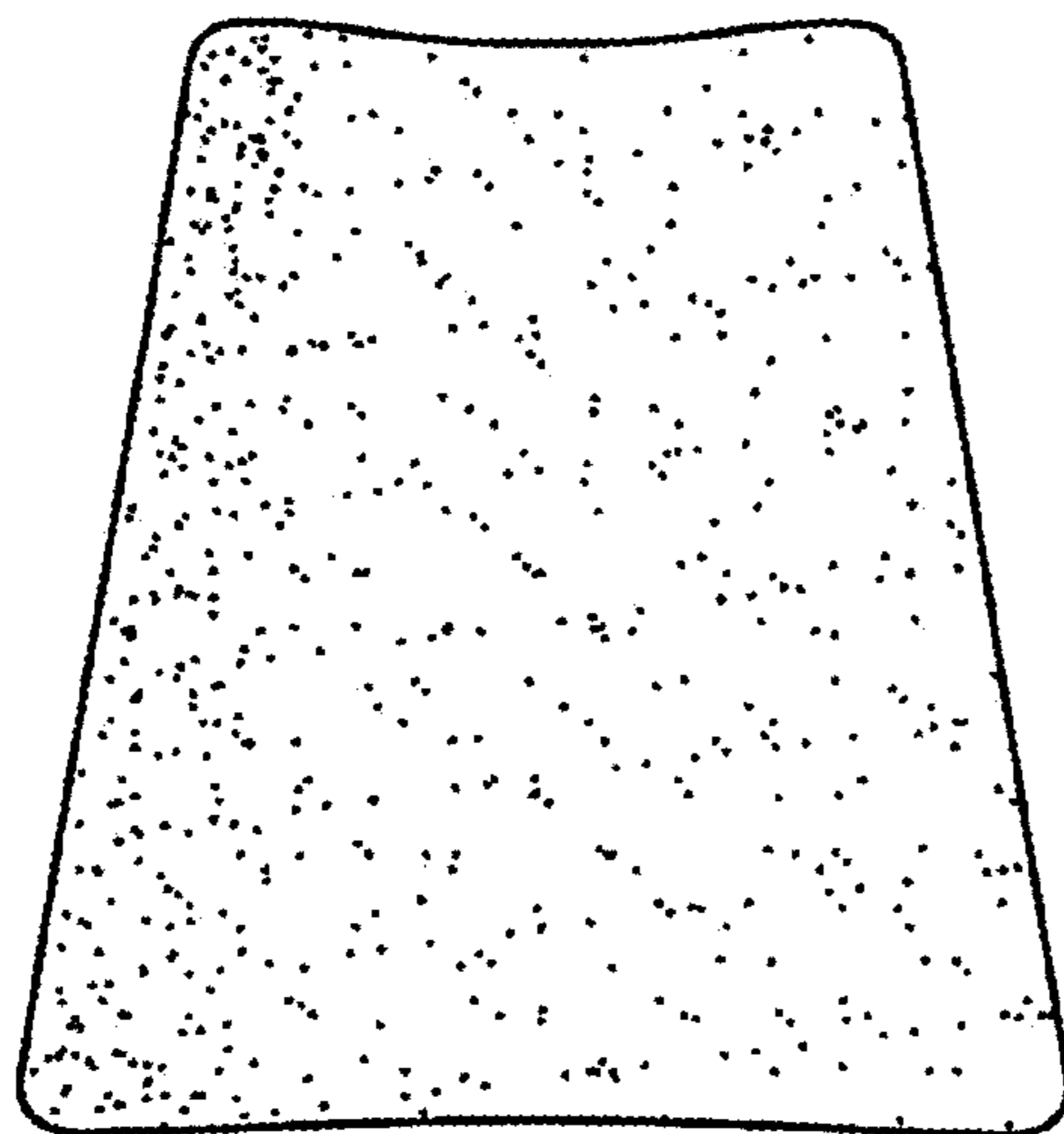


FIG. 5

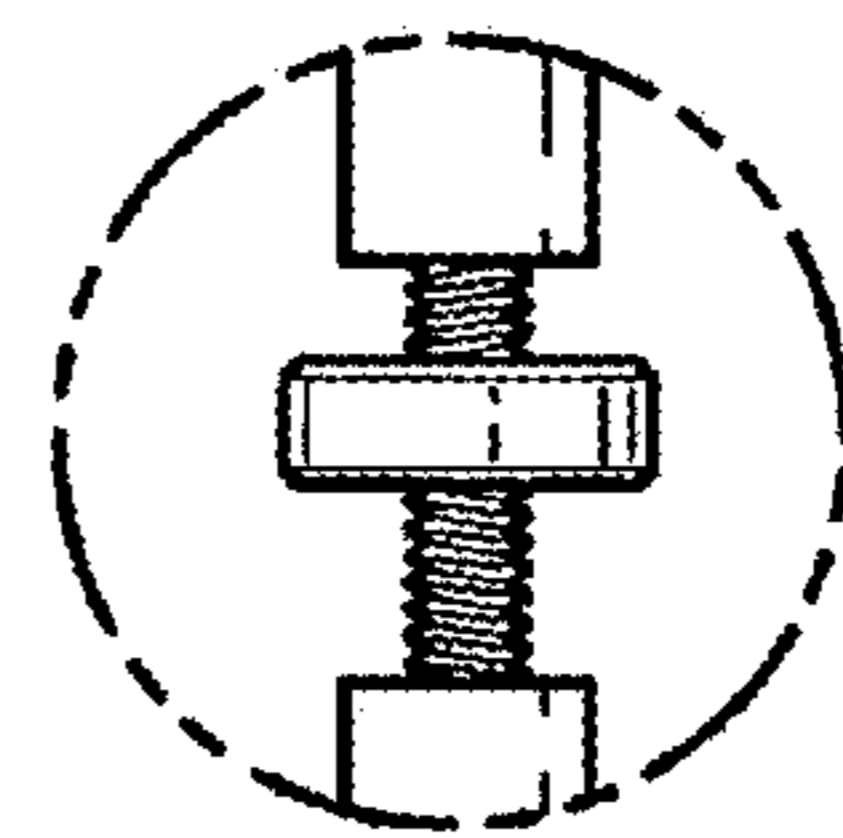


FIG. 7

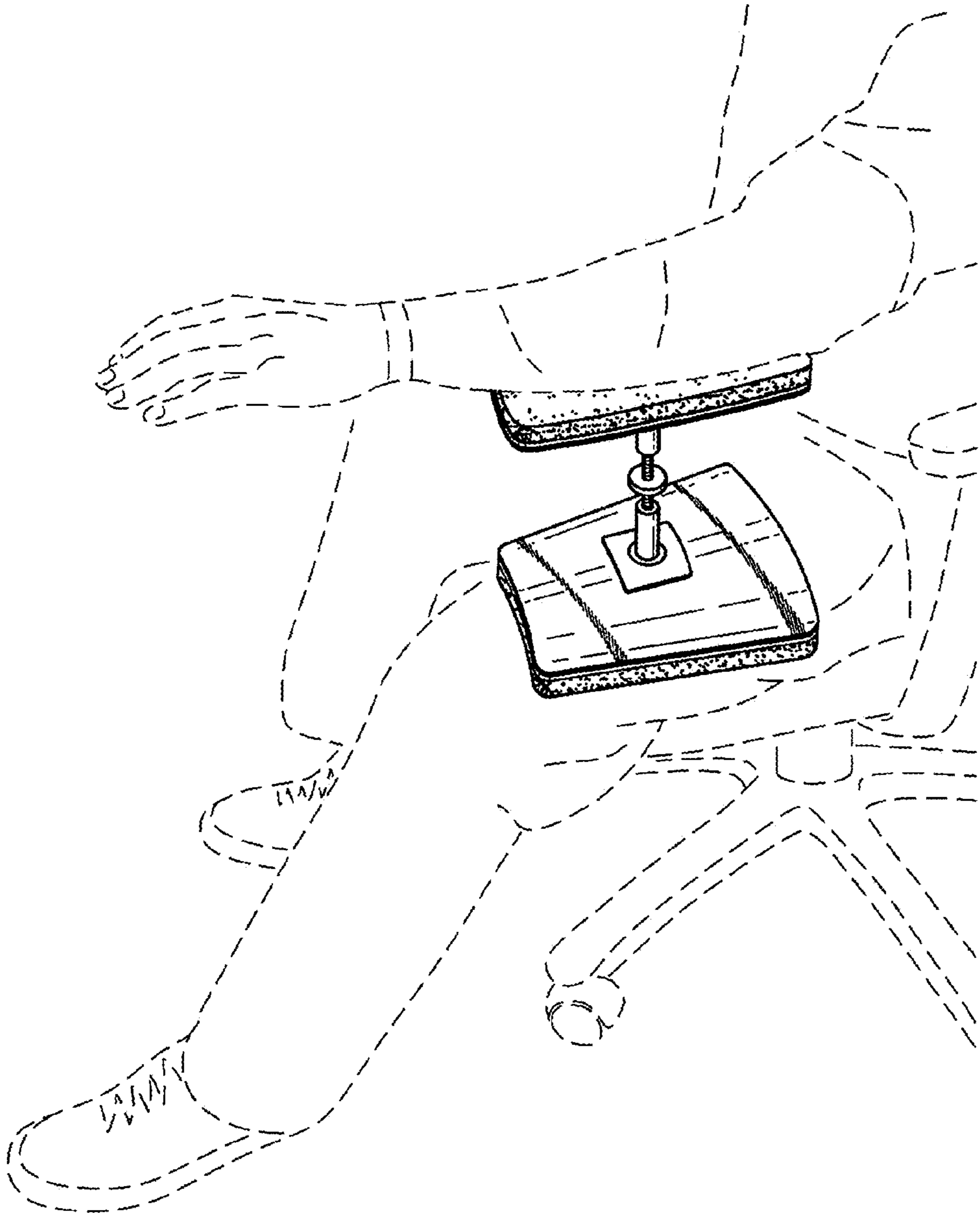


FIG. 8