



US00D728797S

(12) **United States Design Patent**
Zhang

(10) **Patent No.:** **US D728,797 S**

(45) **Date of Patent:** **** May 5, 2015**

(54) **VISION ASSESSMENT APPARATUS**

(71) Applicant: **Henry Ford Health System**, Detroit, MI (US)

(72) Inventor: **Fuxiang Zhang**, Northville, MI (US)

(73) Assignee: **Henry Ford Health System**, Detroit, MI (US)

(**) Term: **14 Years**

(21) Appl. No.: **29/476,482**

(22) Filed: **Dec. 13, 2013**

(51) **LOC (10) Cl.** **24-00**

(52) **U.S. Cl.**
USPC **D24/172**

(58) **Field of Classification Search**
USPC D24/172, 150, 157; D21/306; 351/239, 351/247, 200, 212, 242, 246, 202, 201; 600/407, 345, 558, 318, 355, 356, 383, 600/400-402, 167, 170, 173, 247, 452
See application file for complete search history.

(56) **References Cited**

U.S. PATENT DOCUMENTS

1,903,502 A	4/1933	Campbell	
2,576,358 A	11/1951	Pritikin	
3,025,755 A	3/1962	Koetting	
3,269,792 A	8/1966	Mirsky	
3,288,546 A *	11/1966	Gans	351/226
3,414,348 A	12/1968	Gambis	
3,421,498 A	1/1969	Gans	
3,476,465 A	11/1969	Jackson et al.	
3,482,905 A	12/1969	Ben-Tovim	
3,664,732 A	5/1972	Lynn	
3,936,164 A	2/1976	Cohen et al.	
4,260,227 A	4/1981	Munnerlyn et al.	

(Continued)

FOREIGN PATENT DOCUMENTS

GB 2247087 A 2/1992

Primary Examiner — Ian Simmons

Assistant Examiner — Rhea Shields

(74) *Attorney, Agent, or Firm* — Brooks Kushman P.C.

(57) **CLAIM**

The ornamental design for a vision assessment apparatus, as shown and described.

DESCRIPTION

FIG. 1 is a perspective view of a vision assessment apparatus according to an embodiment;

FIG. 2 is a front view of the vision assessment apparatus of FIG. 1;

FIG. 3 is a rear view of the vision assessment apparatus of FIG. 1;

FIG. 4 is a left side view of the vision assessment apparatus of FIG. 1;

FIG. 5 is a right side view of the vision assessment apparatus of FIG. 1;

FIG. 6 is a top view of the vision assessment apparatus of FIG. 1;

FIG. 7 is a bottom view of the vision assessment apparatus of FIG. 1;

FIG. 8 is a perspective view of a vision assessment apparatus according to another embodiment;

FIG. 9 is a front view of the vision assessment apparatus of FIG. 8;

FIG. 10 is a rear view of the vision assessment apparatus of FIG. 8;

FIG. 11 is a left side view of the vision assessment apparatus of FIG. 8;

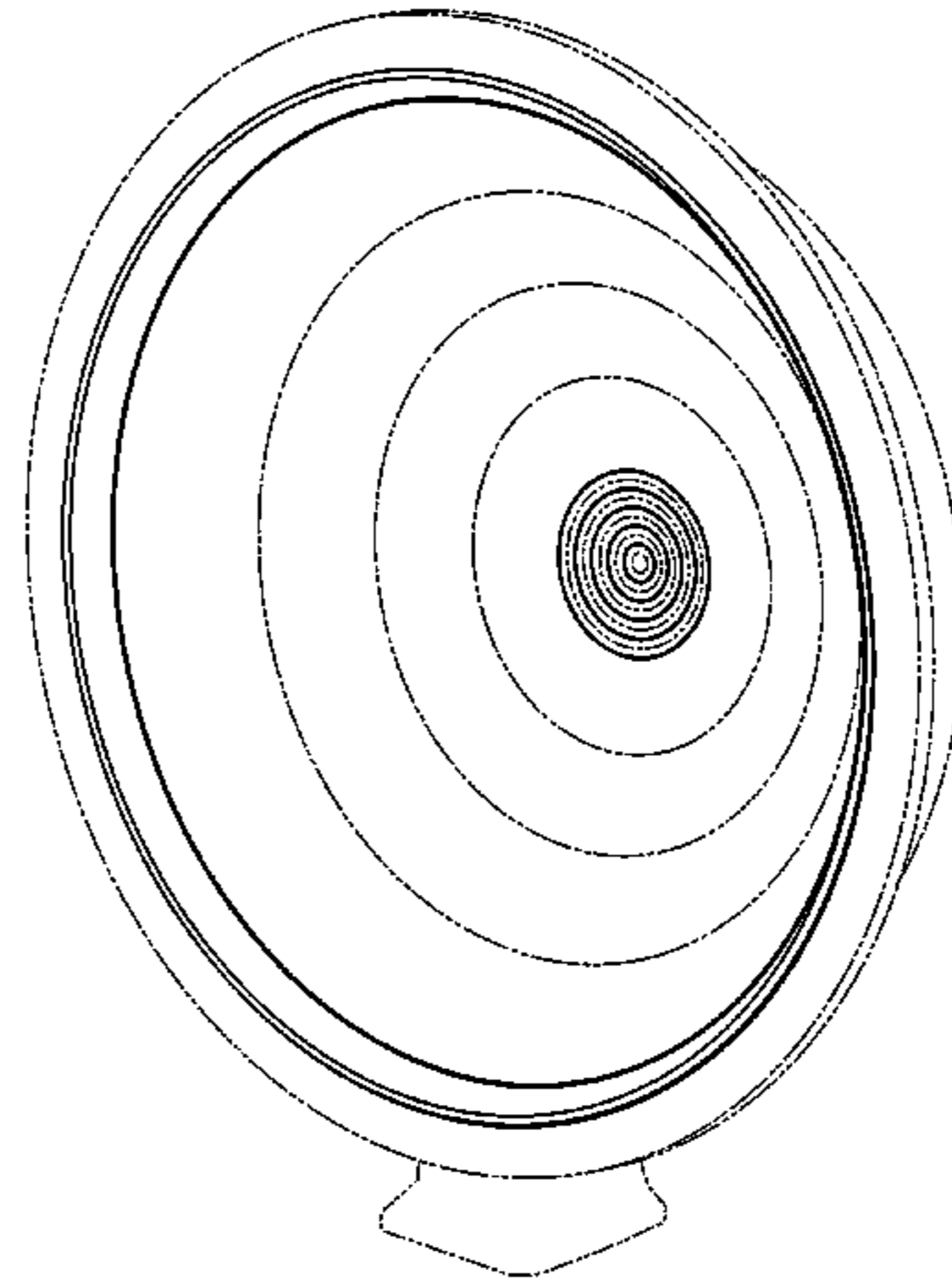
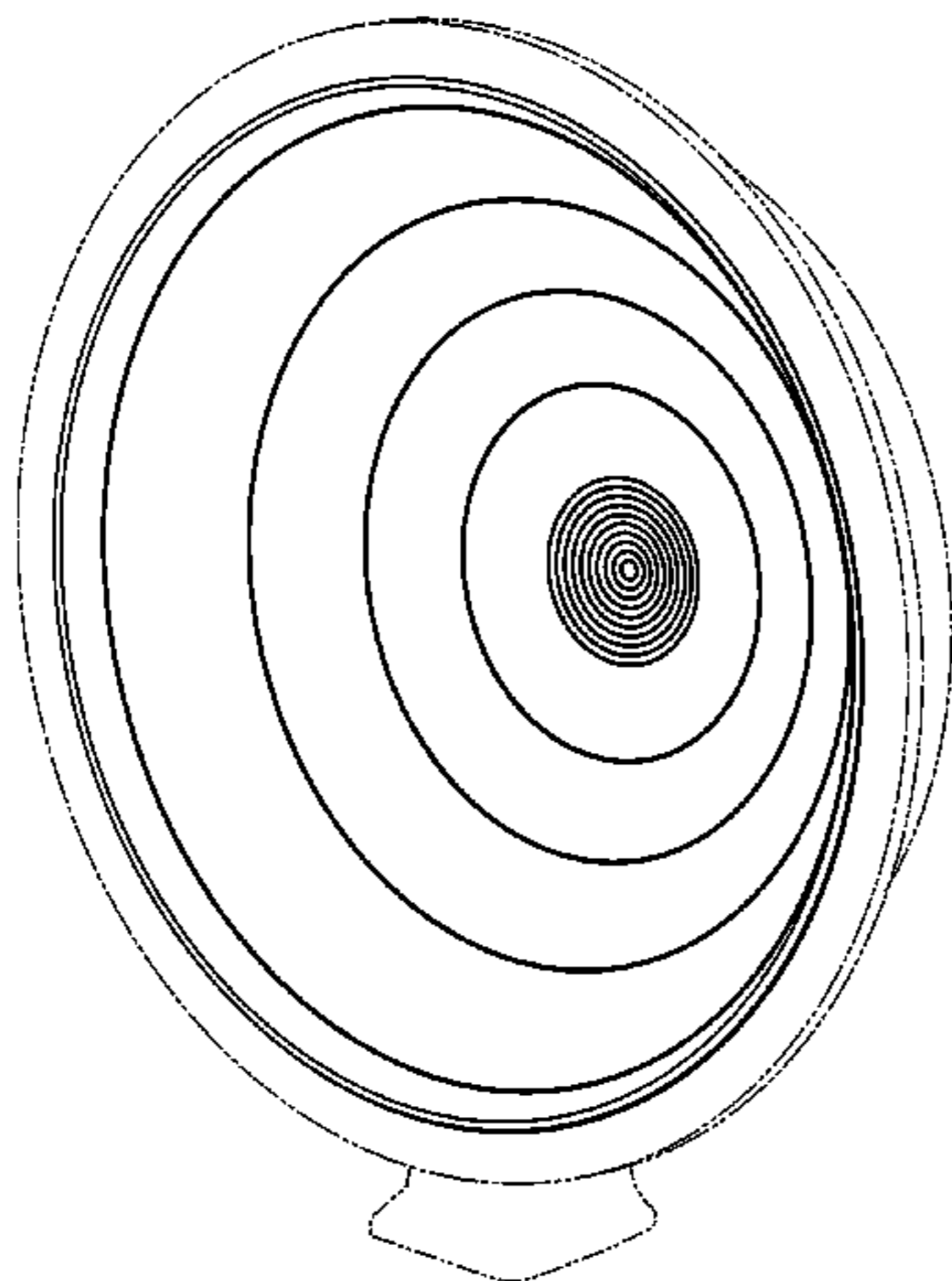
FIG. 12 is a right side view of the vision assessment apparatus of FIG. 8;

FIG. 13 is a top view of the vision assessment apparatus of FIG. 8; and,

FIG. 14 is a bottom view of the vision assessment apparatus of FIG. 8.

In the drawings, the broken lines depict environmental subject matter only and form no part of the claimed design.

1 Claim, 8 Drawing Sheets



(56)

References Cited

U.S. PATENT DOCUMENTS

4,365,873	A *	12/1982	Ginsburg	351/239	7,222,961	B2 *	5/2007	Soliz et al.	351/200
4,615,594	A *	10/1986	Task	351/239	7,264,356	B2 *	9/2007	Jones et al.	351/242
4,660,948	A	4/1987	Retz			7,789,510	B2	9/2010	Fateh		
5,108,170	A	4/1992	Sugiyama			8,047,652	B1	11/2011	Collazo		
5,148,807	A *	9/1992	Hsu	600/402	8,066,376	B2	11/2011	Wang et al.		
5,500,699	A *	3/1996	Ginsburg	351/239	8,087,780	B2	1/2012	Yeh et al.		
D370,259	S	5/1996	Teich			8,275,438	B2 *	9/2012	Simpson et al.	600/345
5,589,897	A	12/1996	Sinclair et al.			D683,254	S *	5/2013	Bennett	D11/81
D377,528	S	1/1997	Teich			D685,480	S *	7/2013	Husain	D24/172
5,640,962	A *	6/1997	Jean et al.	600/407	2004/0193070	A1 *	9/2004	Schilder et al.	600/558
5,801,809	A *	9/1998	Husain	351/239	2004/0223118	A1 *	11/2004	Jean et al.	351/200
5,886,770	A	3/1999	Damato			2006/0132712	A1 *	6/2006	Grove et al.	351/212
6,068,378	A	5/2000	Weiss			2006/0270946	A1 *	11/2006	Silvestrini et al.	600/558
6,079,831	A *	6/2000	Sarver et al.	351/247	2008/0204659	A1 *	8/2008	Carbonari	351/212
6,095,989	A *	8/2000	Hay et al.	600/558	2009/0185134	A1 *	7/2009	Sarver	351/212
6,120,444	A *	9/2000	Miyakawa et al.	600/401	2009/0231545	A1 *	9/2009	Peyman	351/246
D444,236	S	6/2001	Koop et al.			2010/0182568	A1 *	7/2010	Sarver	351/212
6,542,081	B2 *	4/2003	Torch	340/575	2011/0013142	A1 *	1/2011	Husain	351/239
						2011/0199574	A1 *	8/2011	Van Dalen et al.	351/202
						2011/0267577	A1 *	11/2011	Verma	351/201
						2013/0286351	A1 *	10/2013	Shimizu	351/212

* cited by examiner

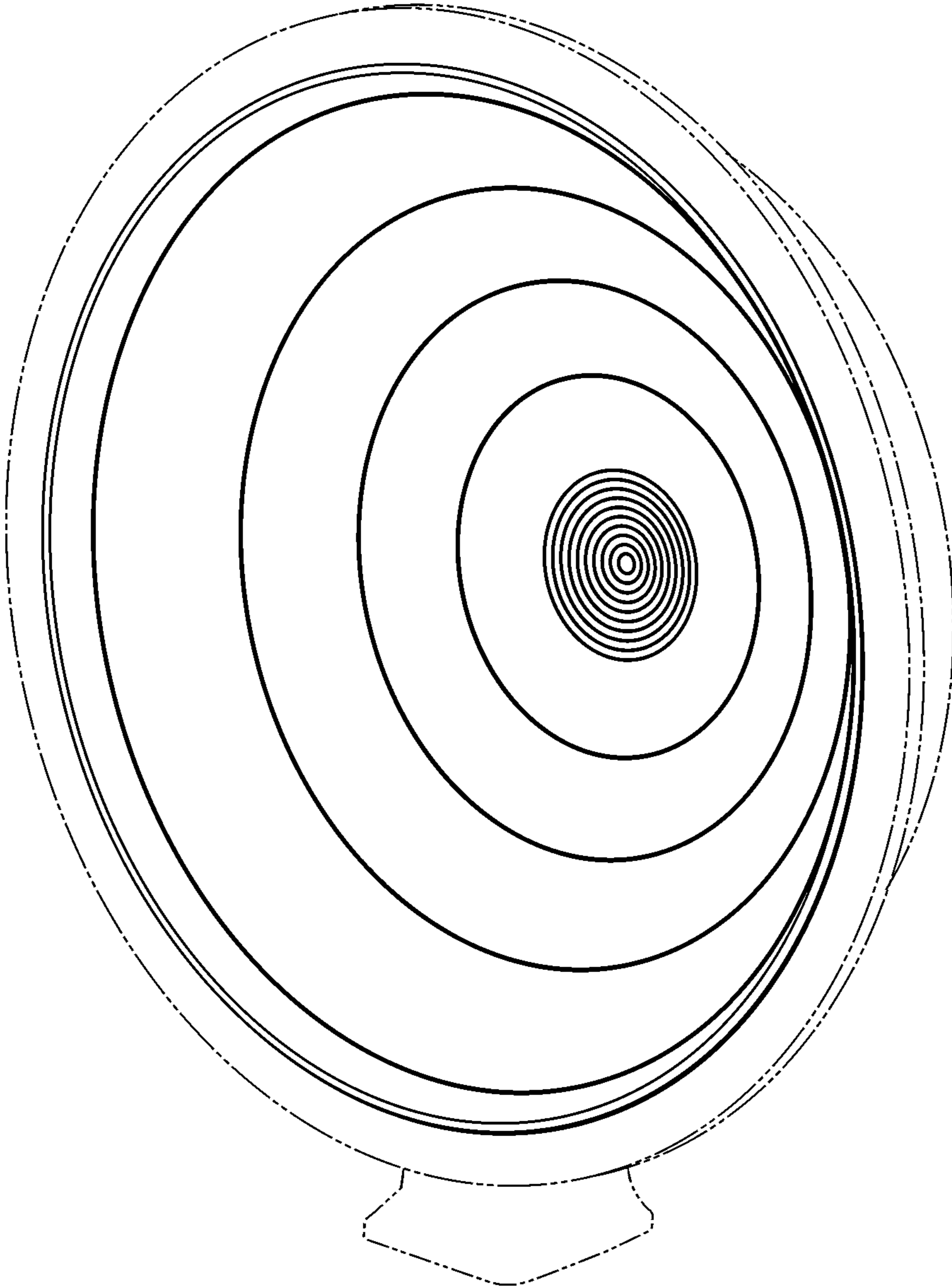


FIG. 1

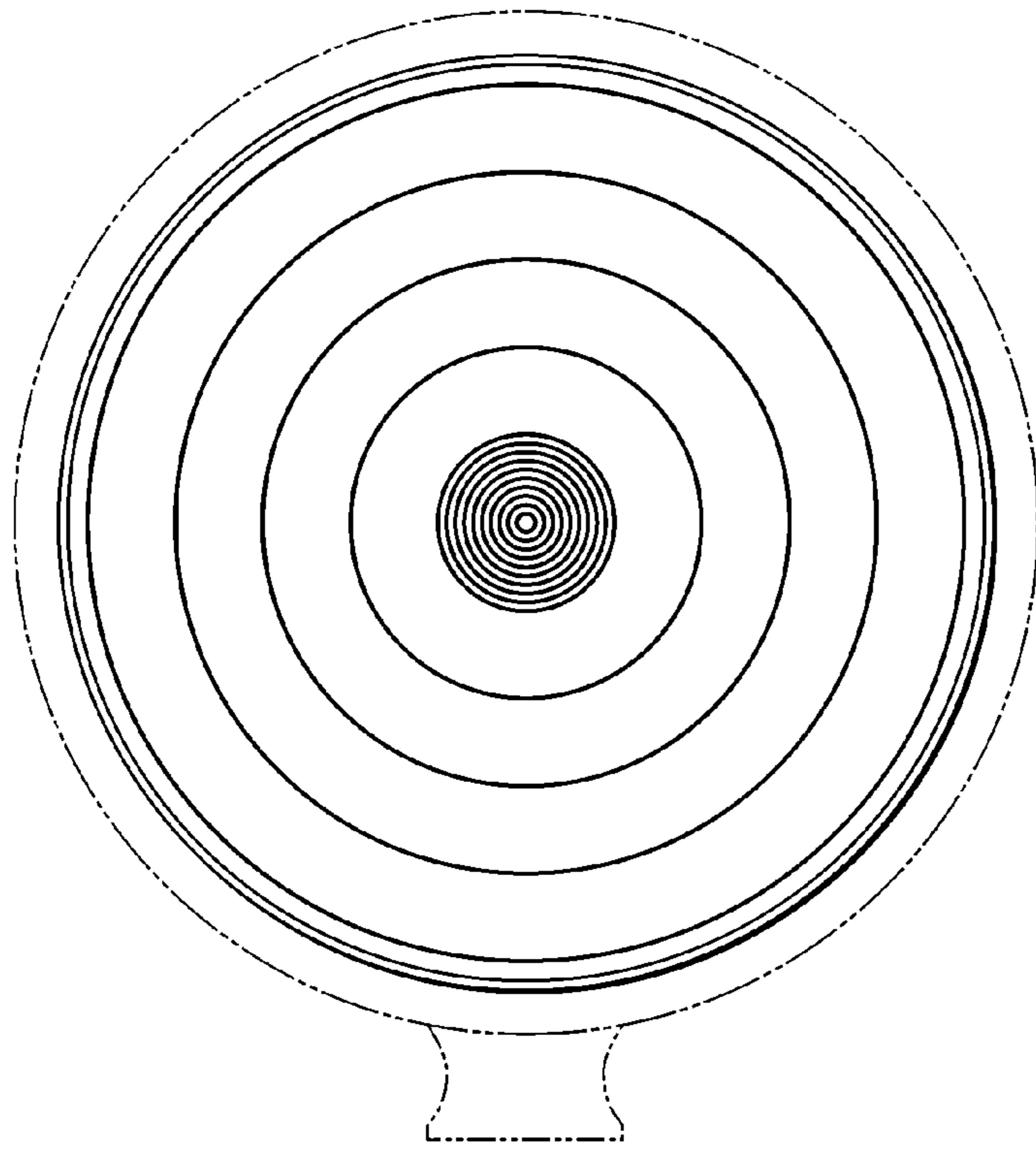


FIG. 2

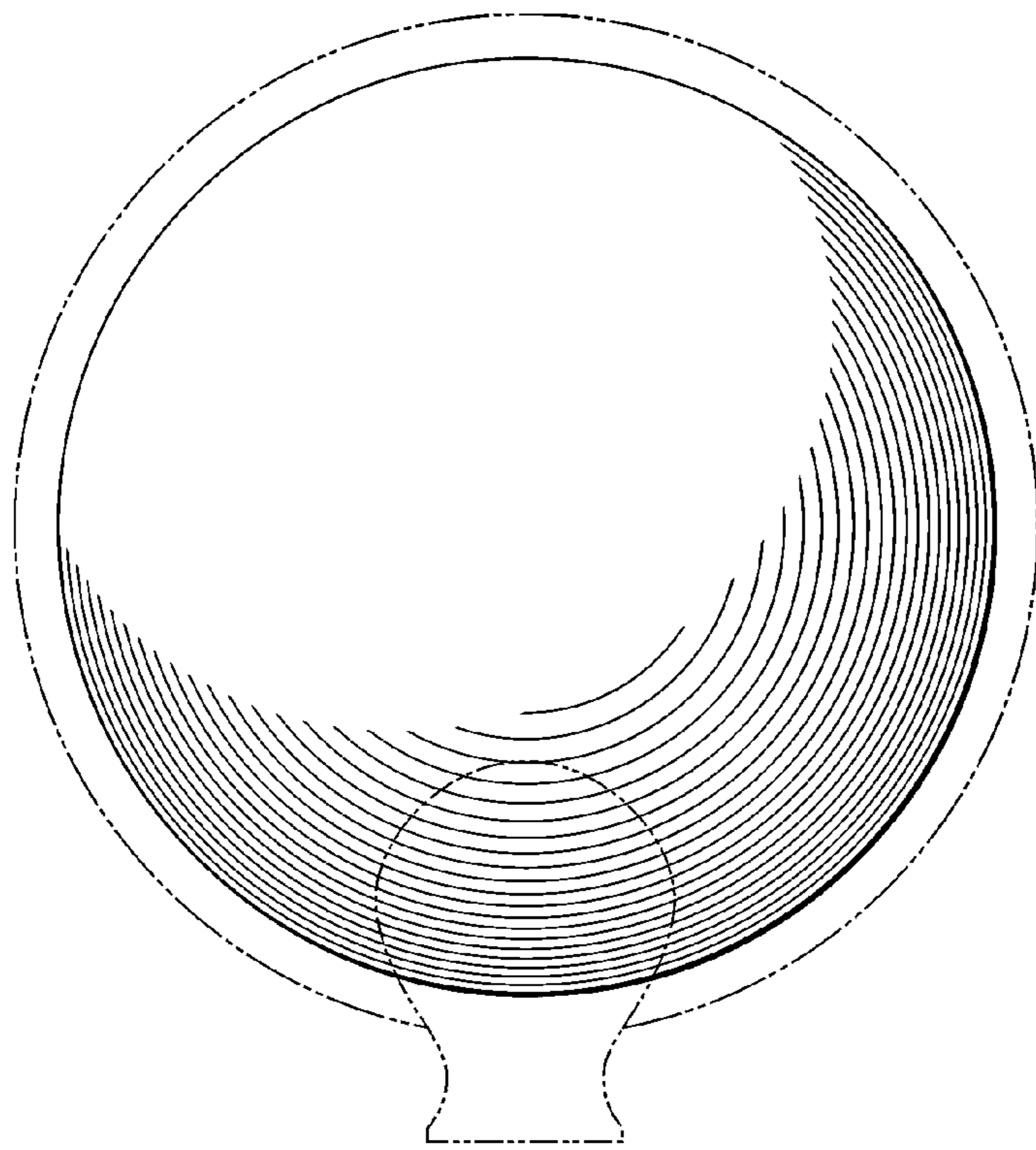


FIG. 3

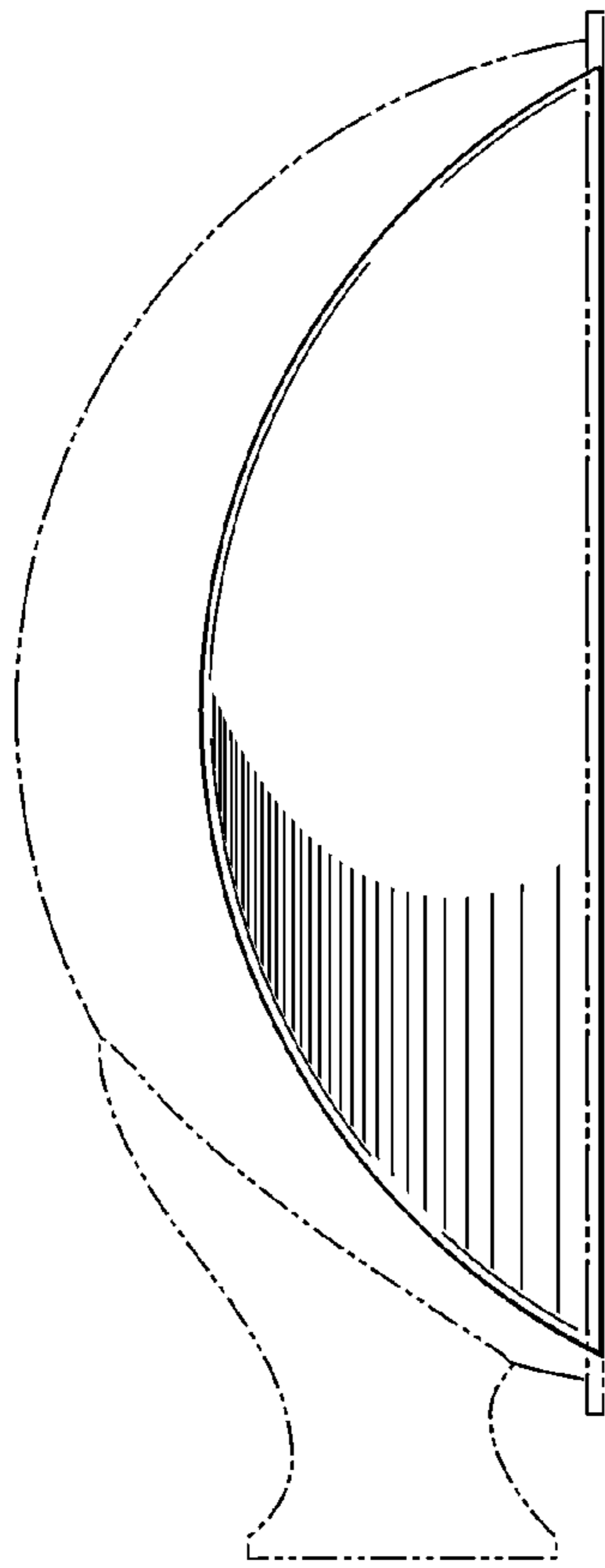


FIG. 4

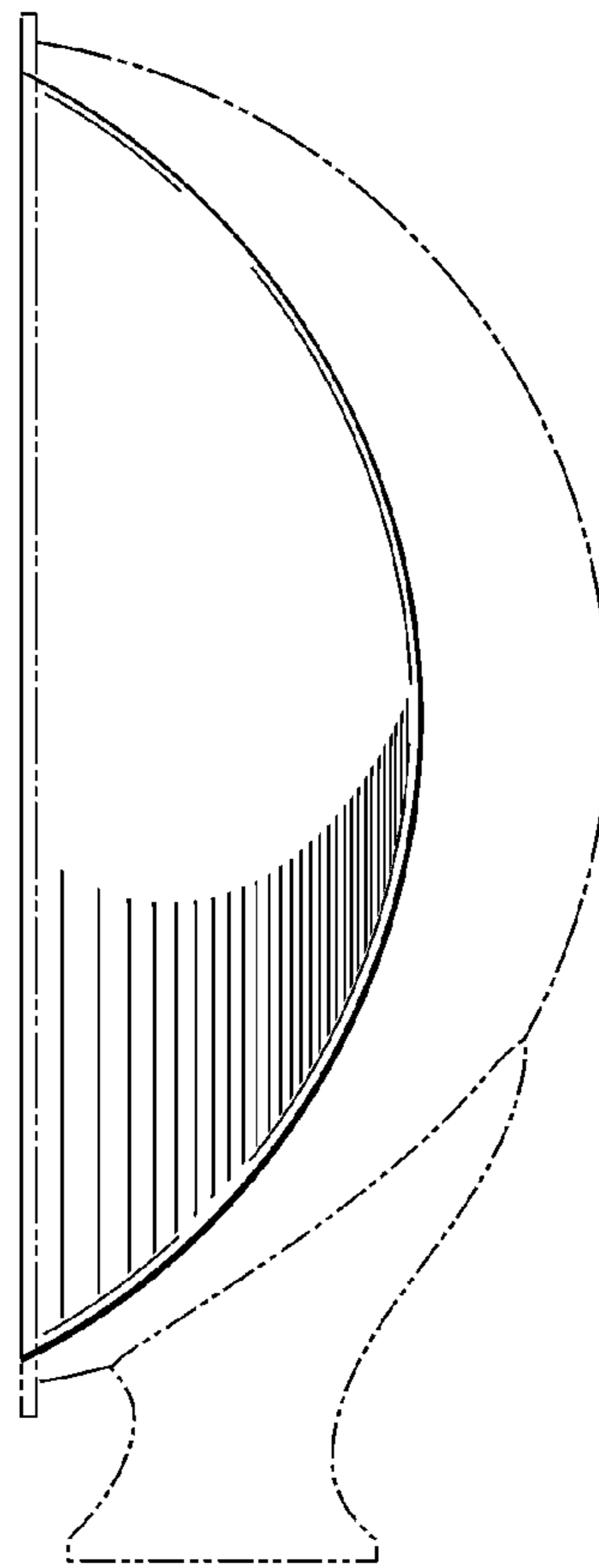


FIG. 5

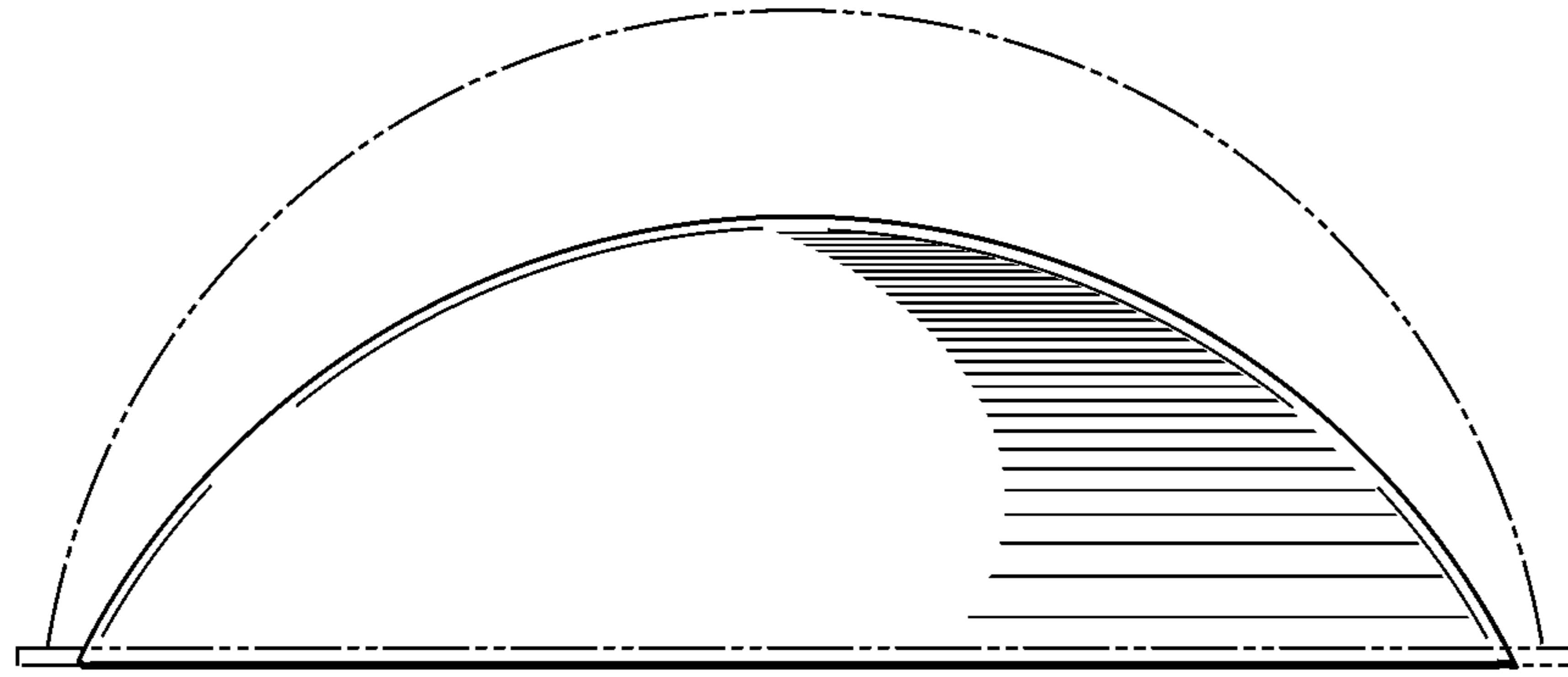


FIG. 6

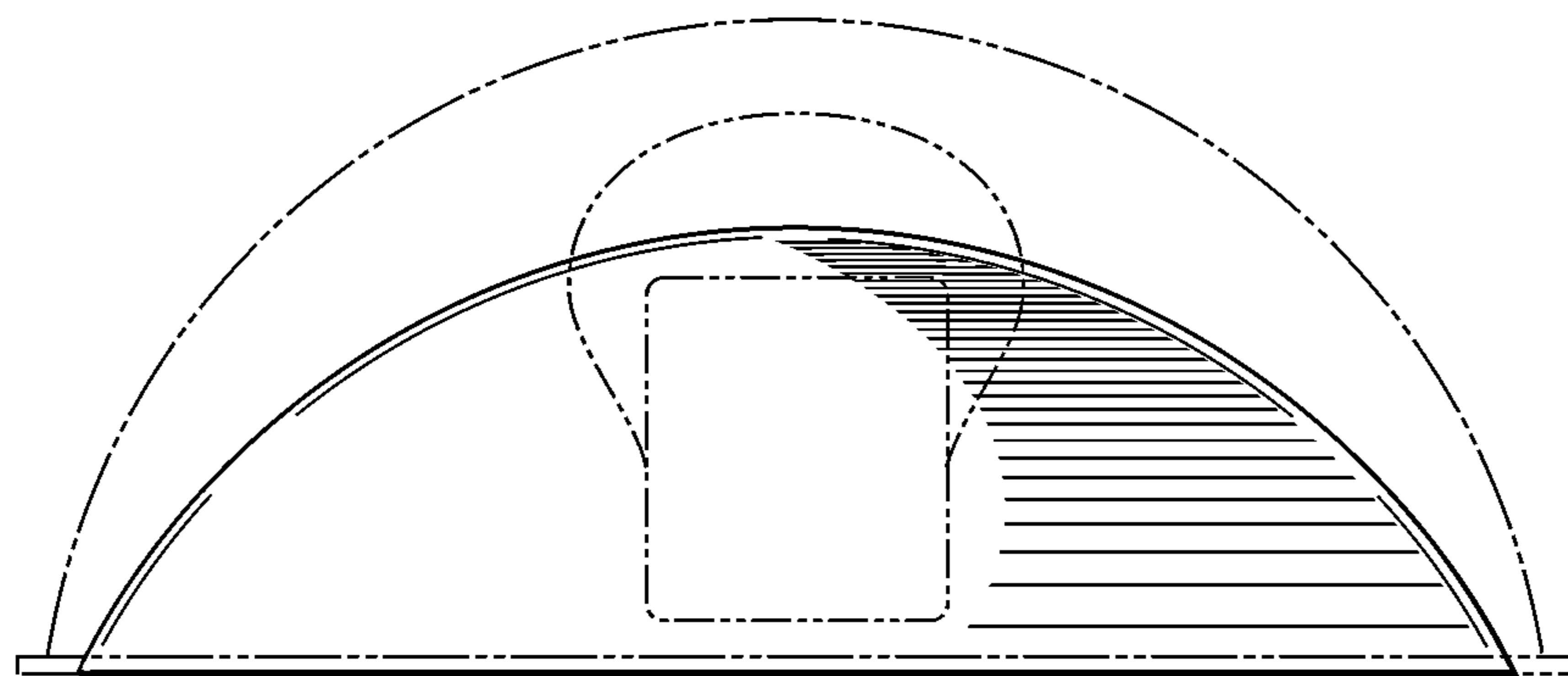


FIG. 7

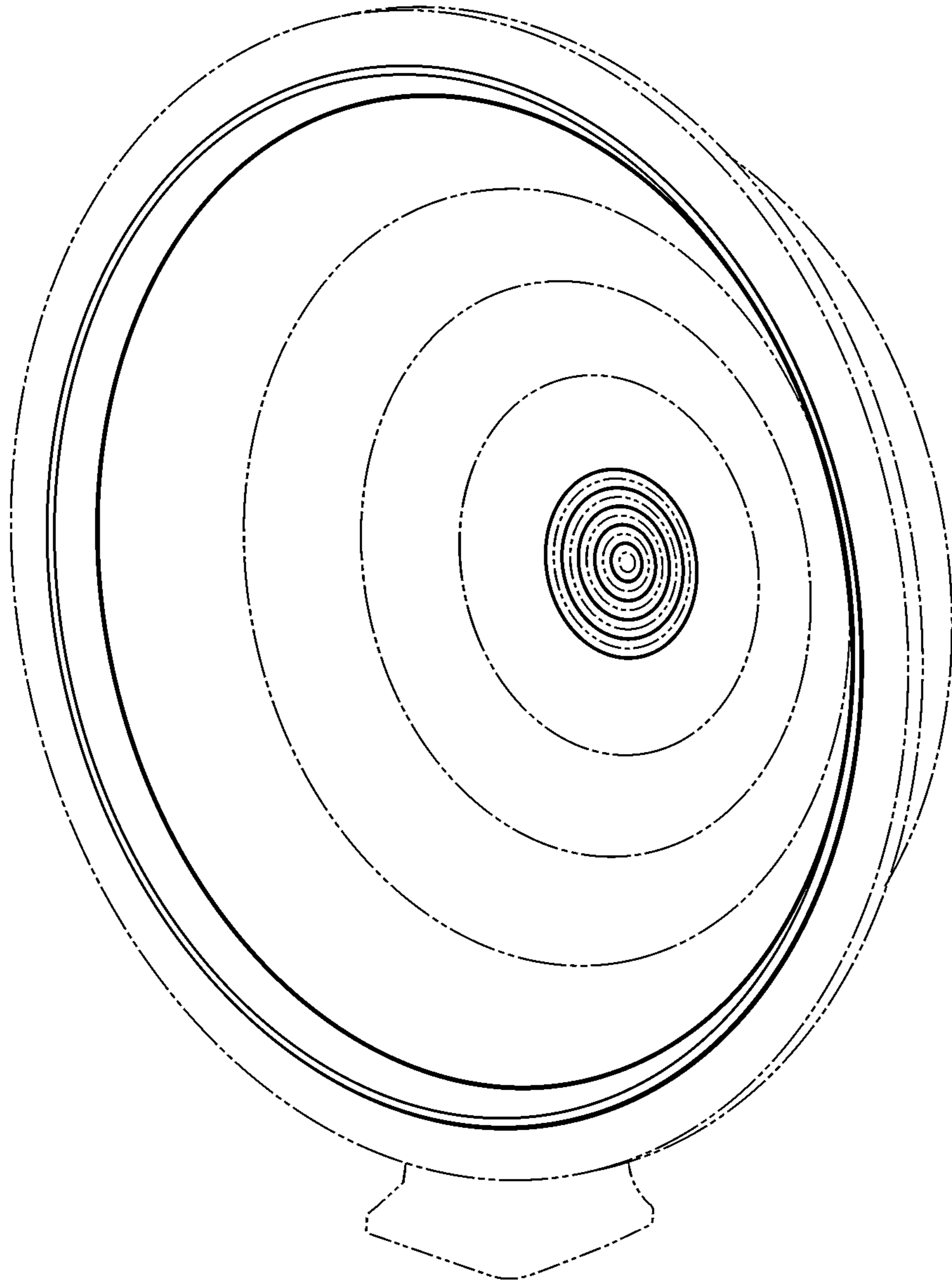


FIG. 8

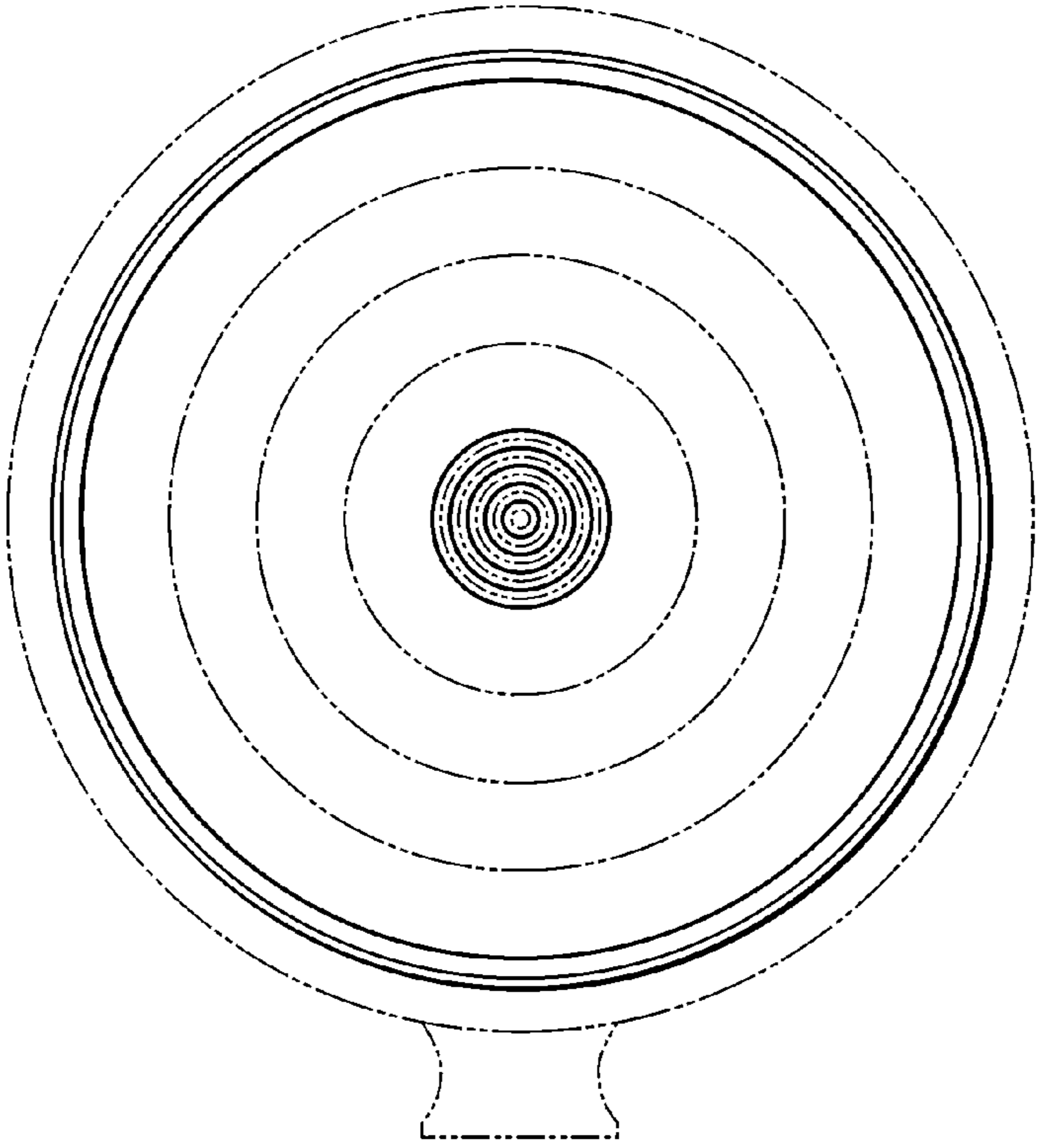


FIG. 9

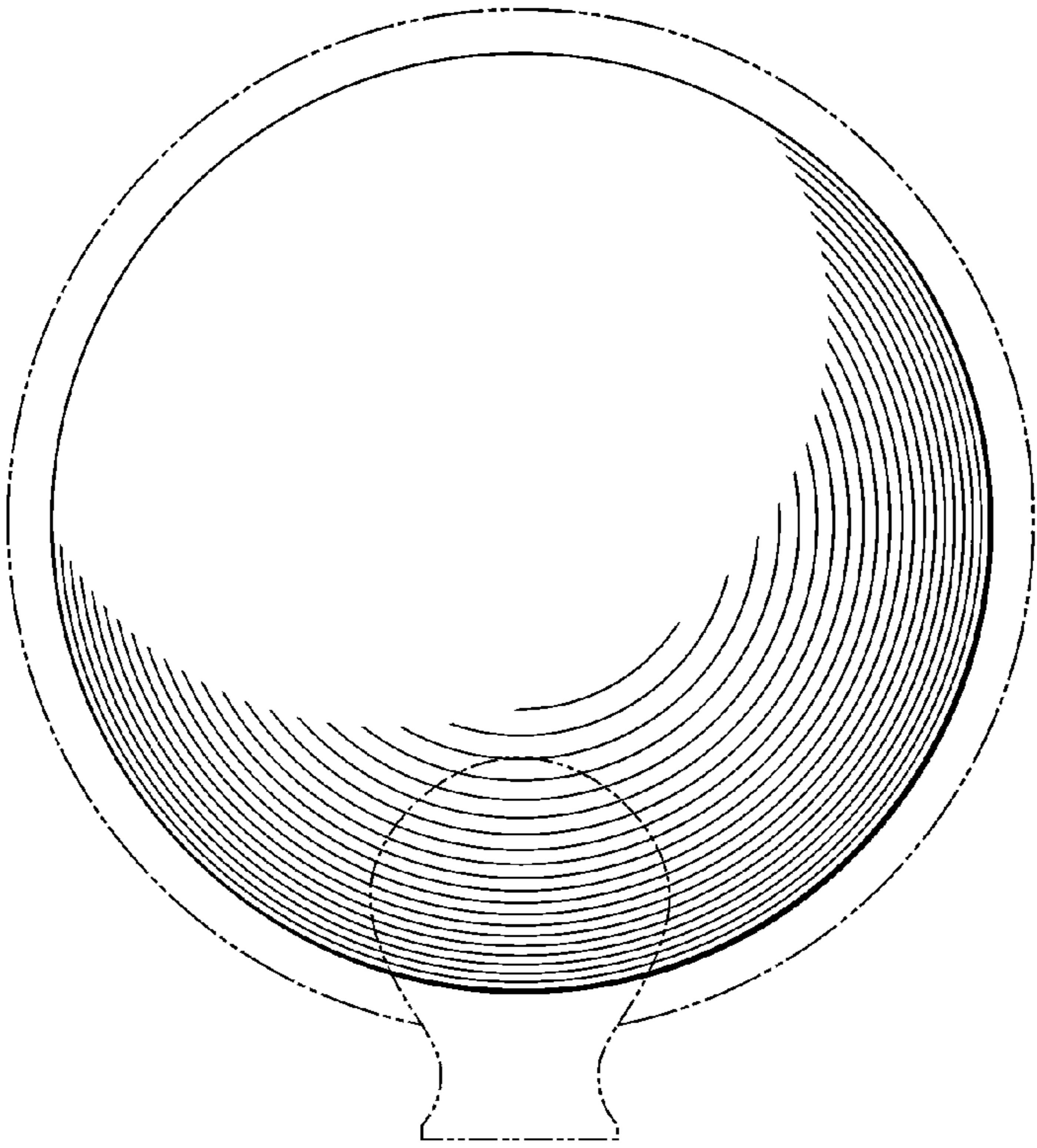


FIG. 10

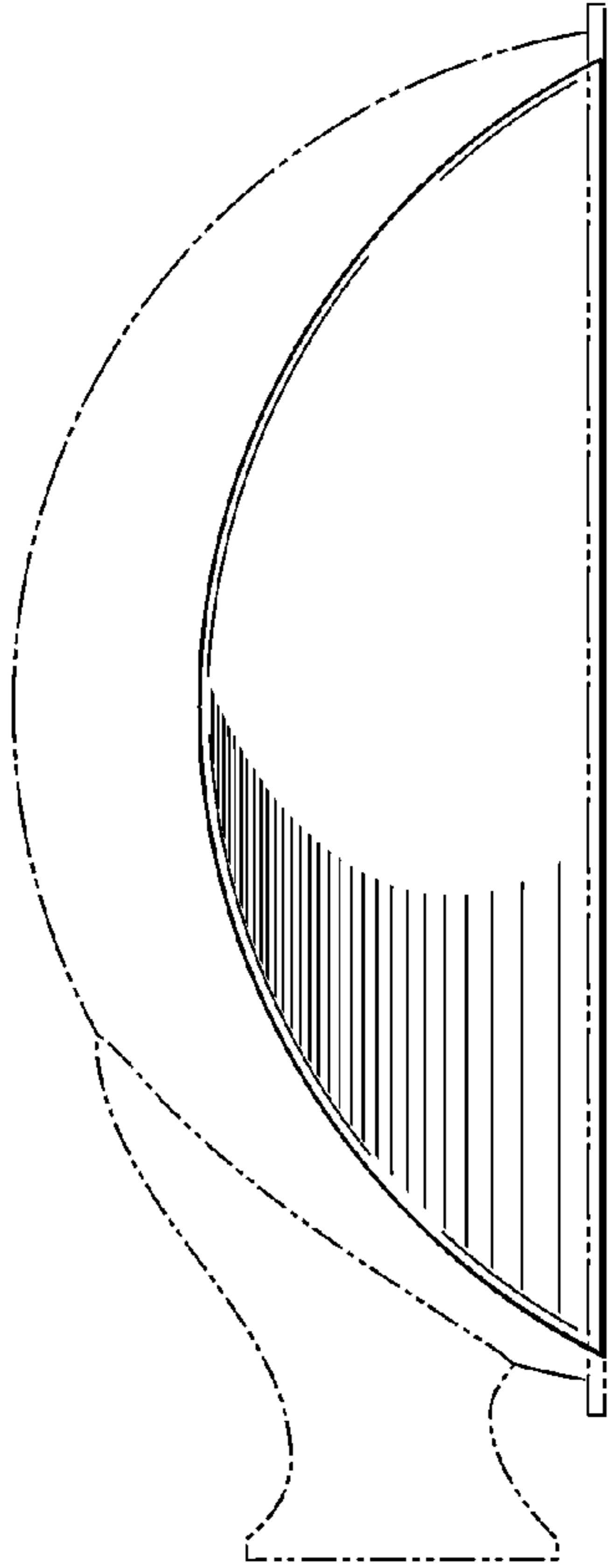


FIG. 11

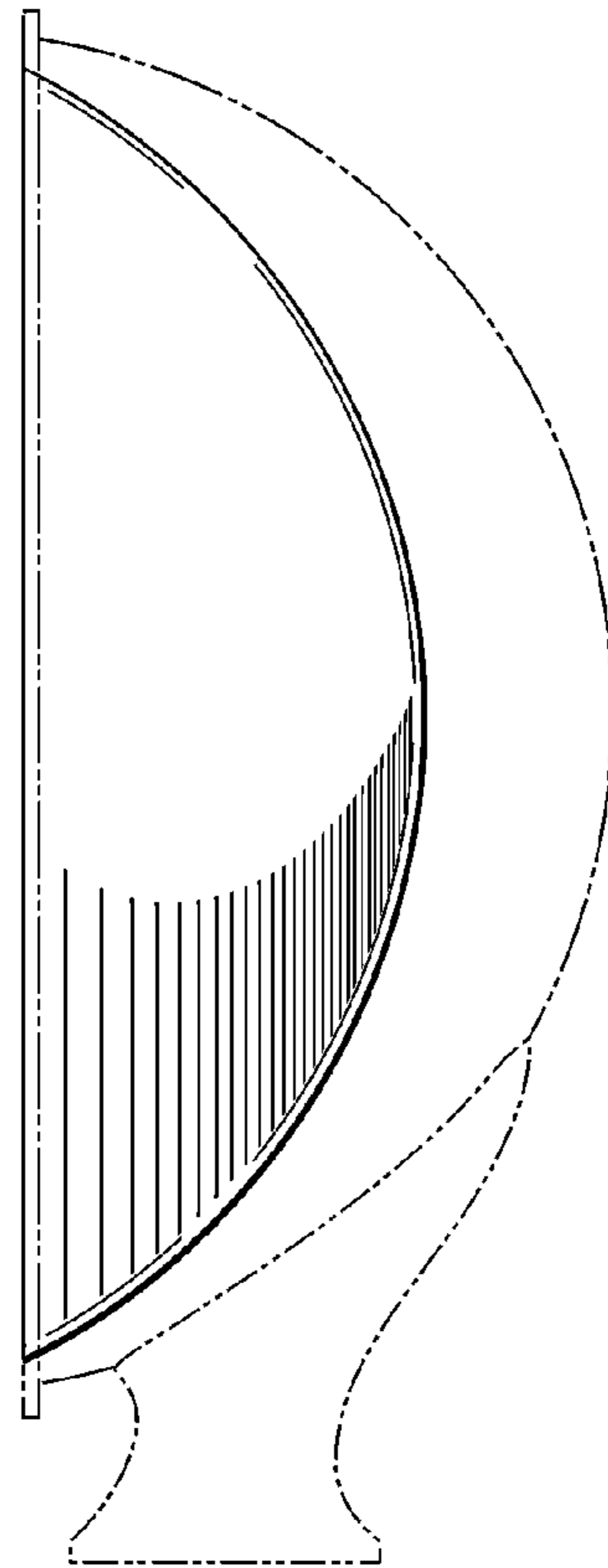


FIG. 12

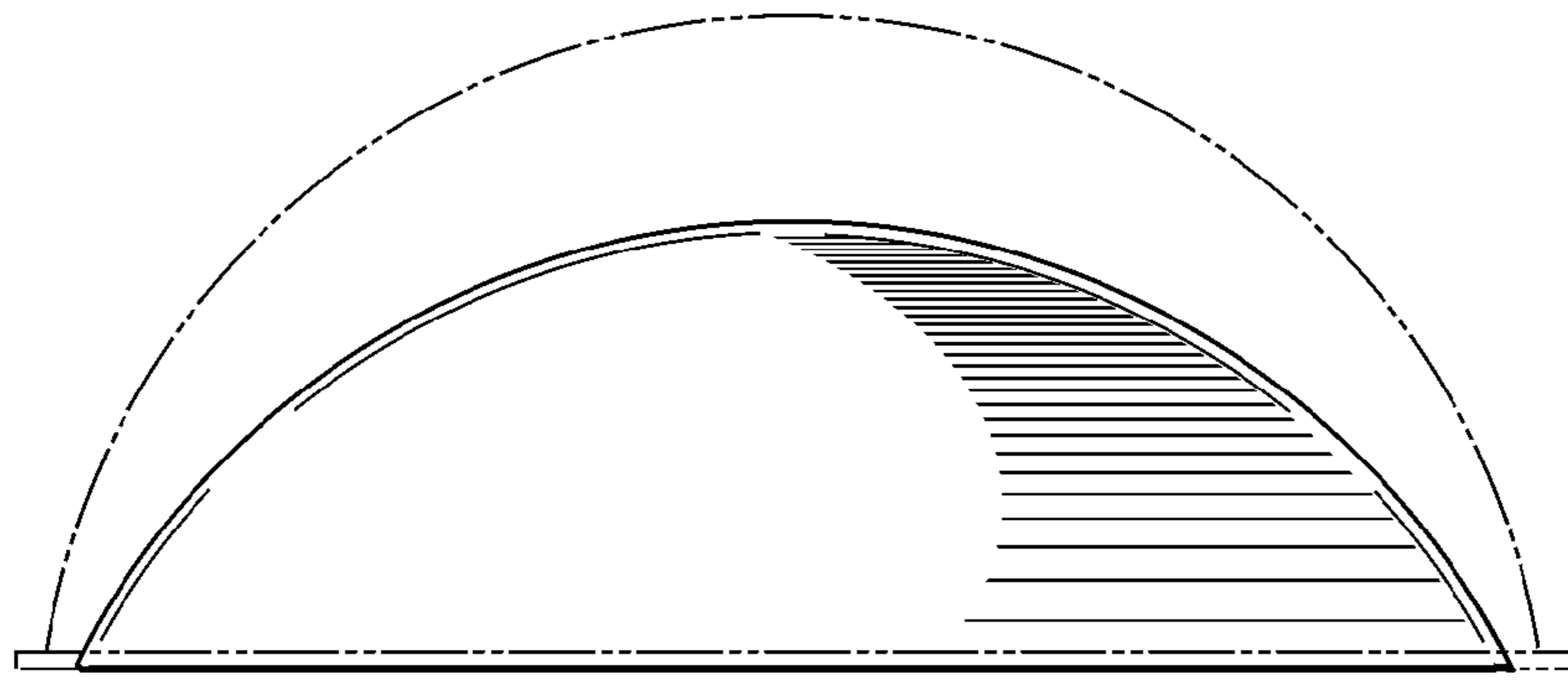


FIG. 13

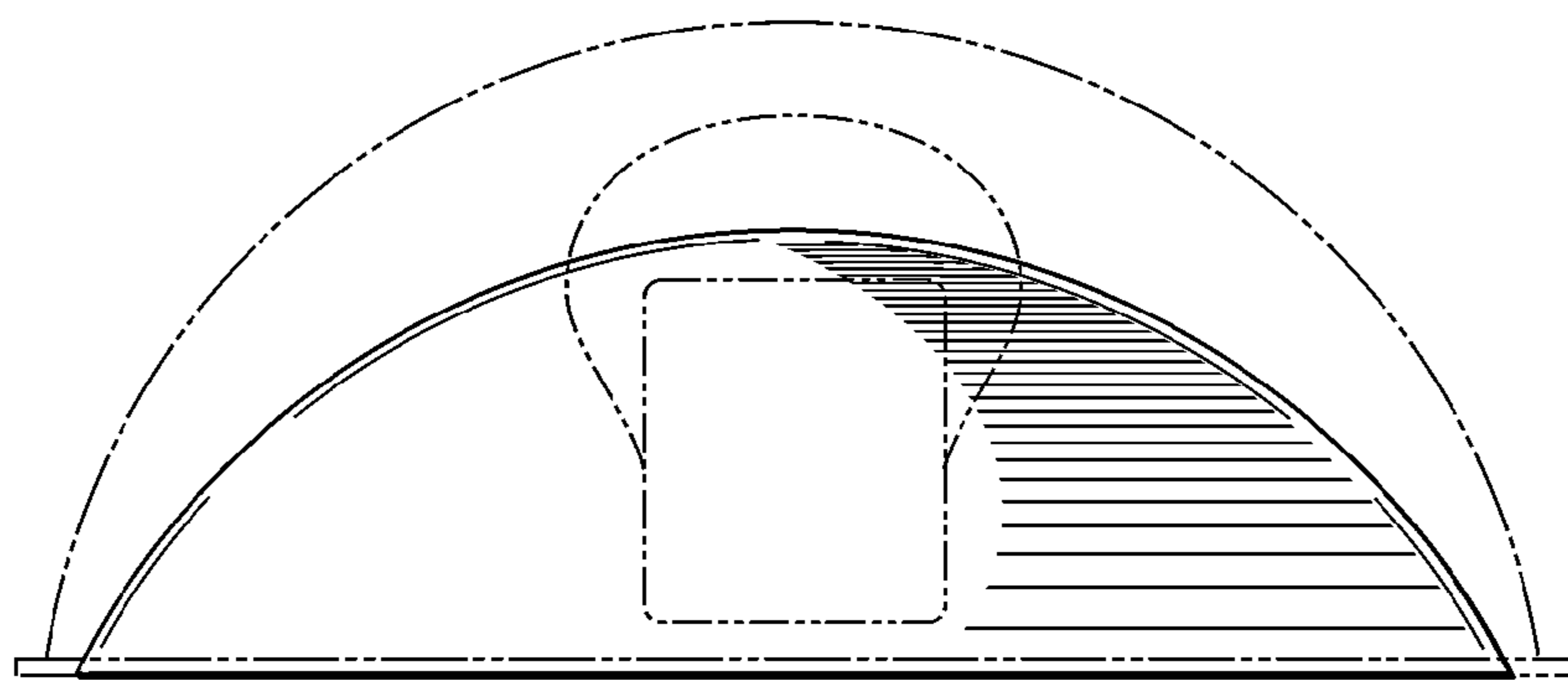


FIG. 14