



US00D728795S

(12) **United States Design Patent**  
**Steward, Jr. et al.**

(10) **Patent No.:** **US D728,795 S**  
(45) **Date of Patent:** **\*\* May 5, 2015**

- (54) **DENTAL POSITIONING RING**
- (71) Applicant: **DENTSPLY International Inc.**, York, PA (US)
- (72) Inventors: **Curtis L Steward, Jr.**, Sandwich, IL (US); **Jonathan W. Whiteside**, Campton Hills, IL (US)
- (73) Assignee: **DENTSPLY International Inc.**, York, PA (US)
- (\*\*) Term: **14 Years**
- (21) Appl. No.: **29/494,420**
- (22) Filed: **Jun. 20, 2014**
- (51) **LOC (10) Cl.** ..... **24-01**
- (52) **U.S. Cl.**  
USPC ..... **D24/161**
- (58) **Field of Classification Search**  
USPC ..... D24/158-161, 185, 186, 152, 176, 177;  
378/38, 39, 167, 168, 170, 177, 180,  
378/191, 205, 208; 433/27, 29  
See application file for complete search history.

D370,732 S *	6/1996	Smith	.....	D24/161
6,343,875 B1 *	2/2002	Eppinger et al.	.....	378/170
8,016,483 B2 *	9/2011	Steward, Jr.	.....	378/170
D703,324 S *	4/2014	Hayman et al.	.....	D24/161
8,876,375 B2 *	11/2014	Laude	.....	378/170
2005/0047550 A1 *	3/2005	Yao et al.	.....	378/170
2011/0051900 A1 *	3/2011	Steward, Jr.	.....	378/147
2011/0164733 A1 *	7/2011	Steward et al.	.....	378/170

\* cited by examiner

*Primary Examiner* — Anhdao Doan

(74) *Attorney, Agent, or Firm* — Leana Levin; Douglas J. Hura; David A. Zdurne

(56) **References Cited**

**U.S. PATENT DOCUMENTS**

D237,115 S *	10/1975	Stevenson	.....	D24/161
D281,353 S *	11/1985	Sico, Jr.	.....	D24/158
D283,157 S *	3/1986	Maldonado et al.	.....	D24/161

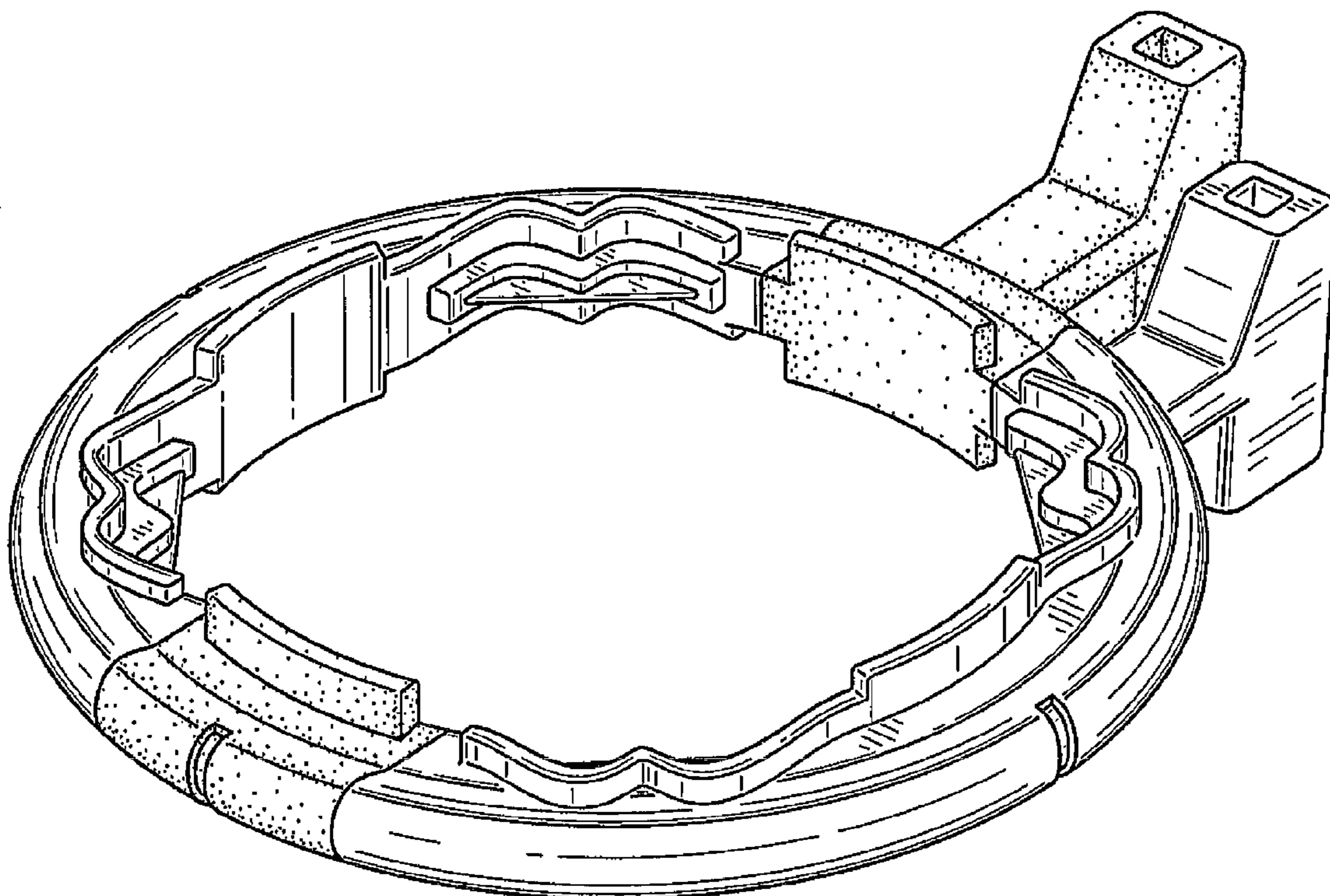
(57) **CLAIM**

The ornamental design for a dental positioning ring, as shown and described.

**DESCRIPTION**

FIG. 1 is an isometric view of a dental positioning ring showing our new design;  
 FIG. 2 is a top view top view thereof;  
 FIG. 3 is a bottom view thereof;  
 FIG. 4 is a first side view thereof;  
 FIG. 5 is a second side view thereof;  
 FIG. 6 is a front view thereof; and,  
 FIG. 7 is a rear view thereof.

**1 Claim, 5 Drawing Sheets**



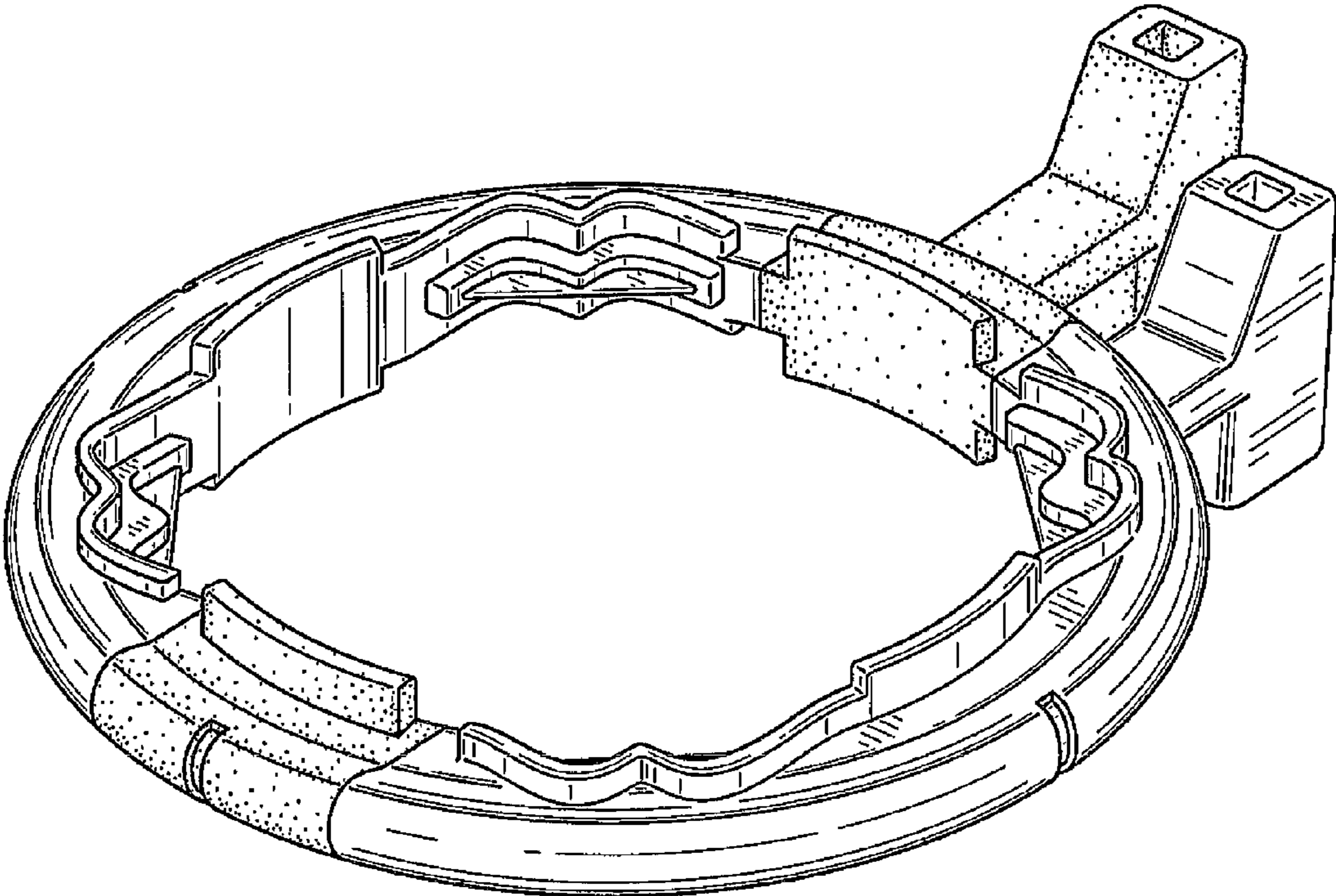


FIG. 1

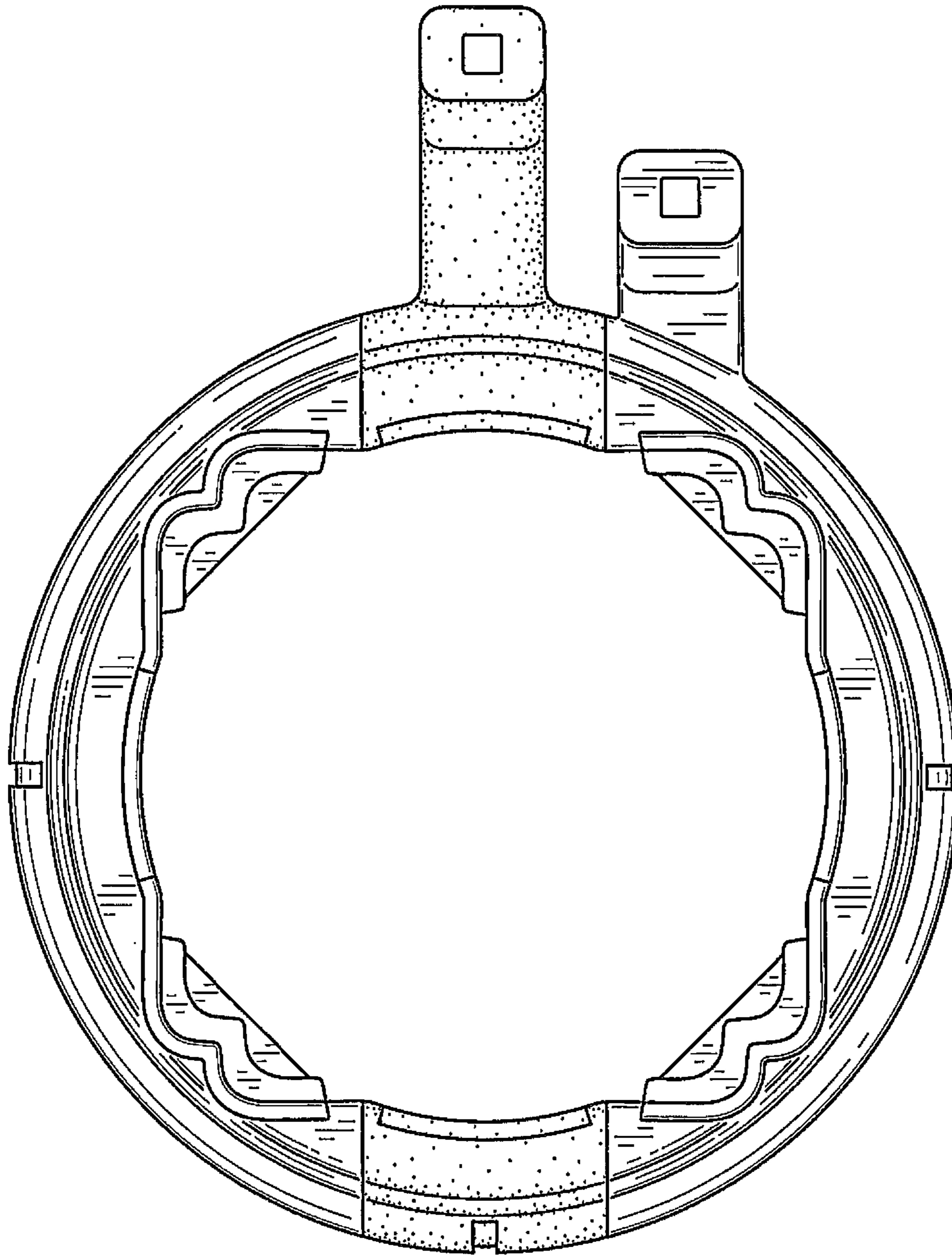


FIG. 2

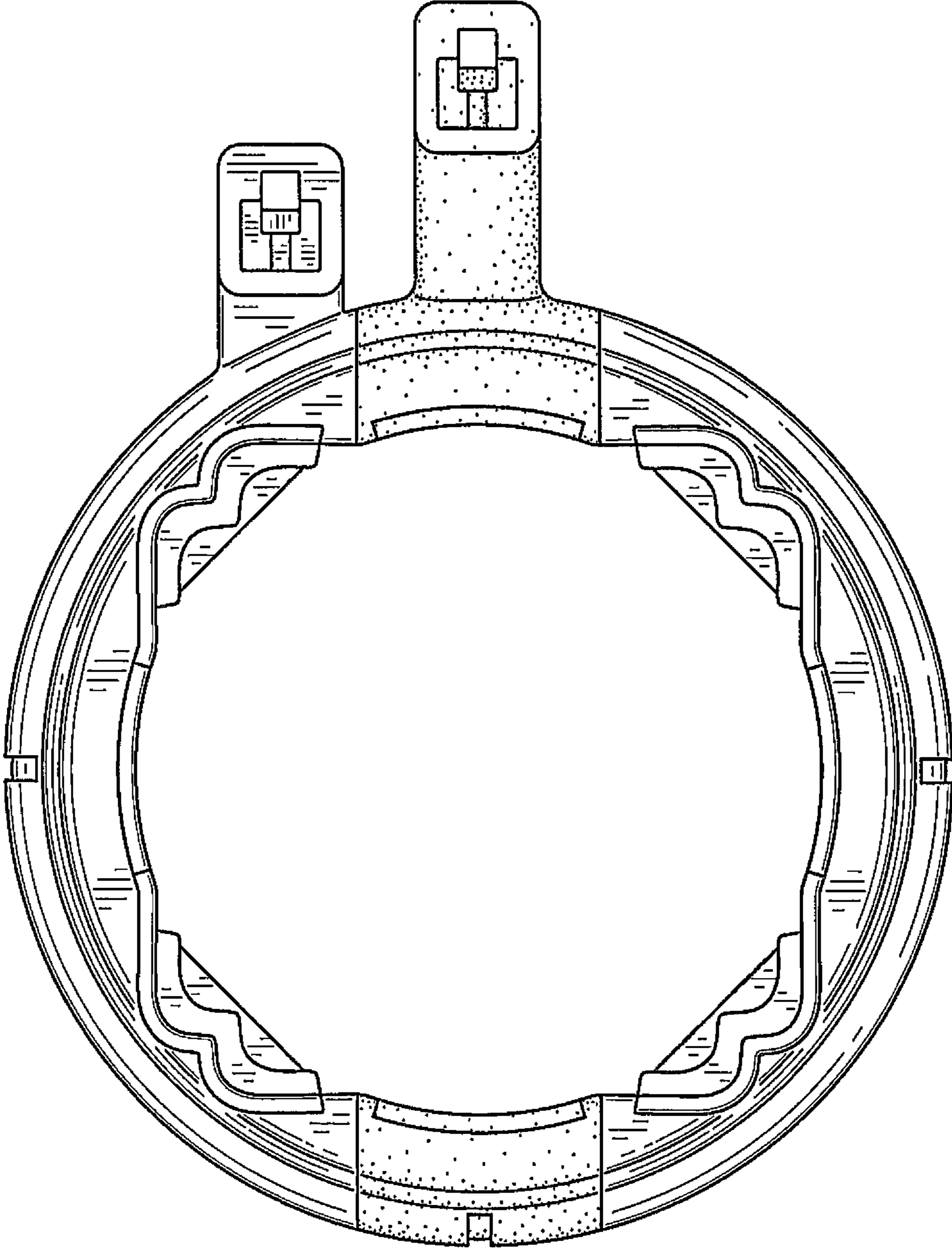


FIG. 3

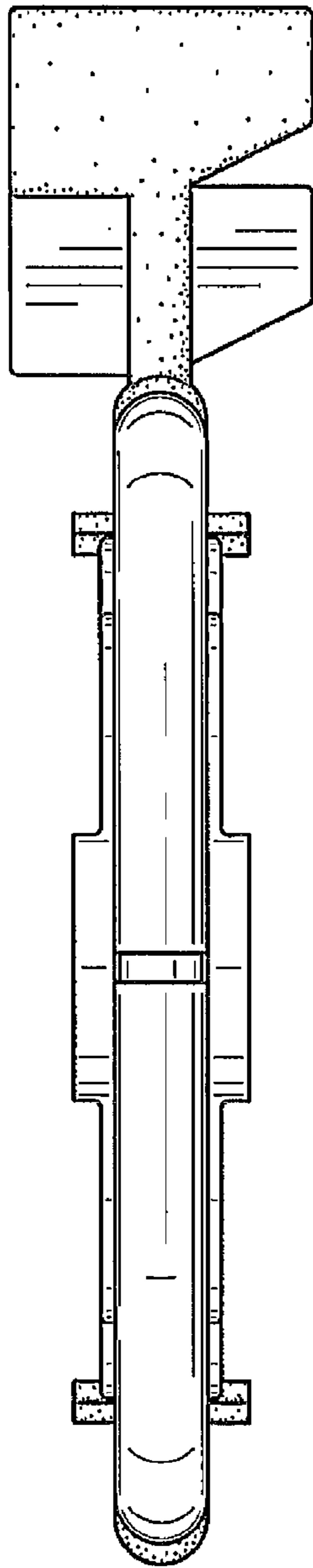


FIG. 4

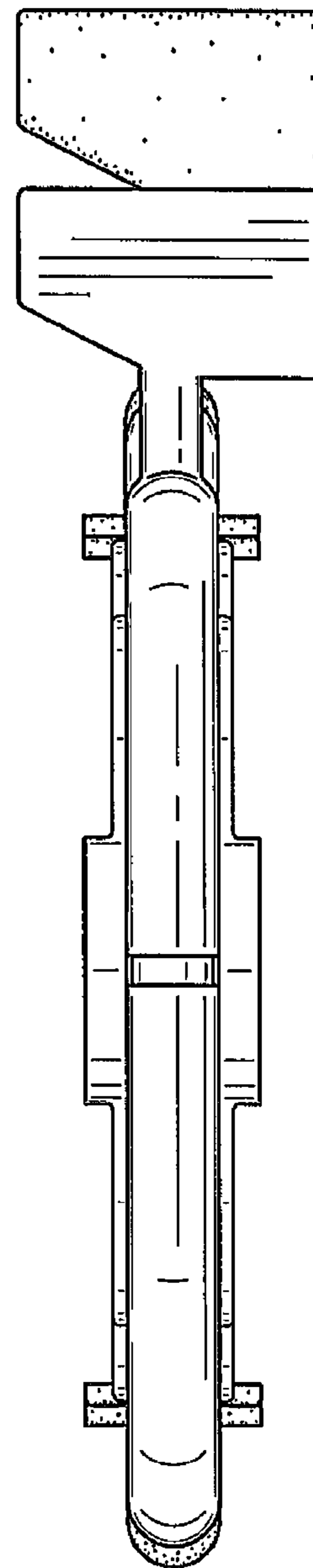


FIG. 5

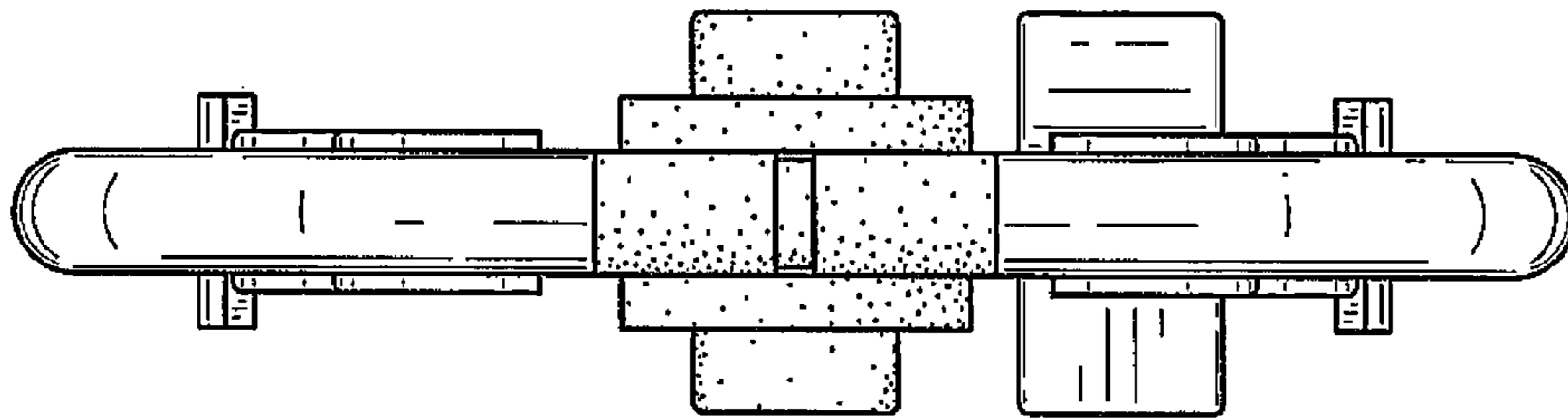


FIG. 6

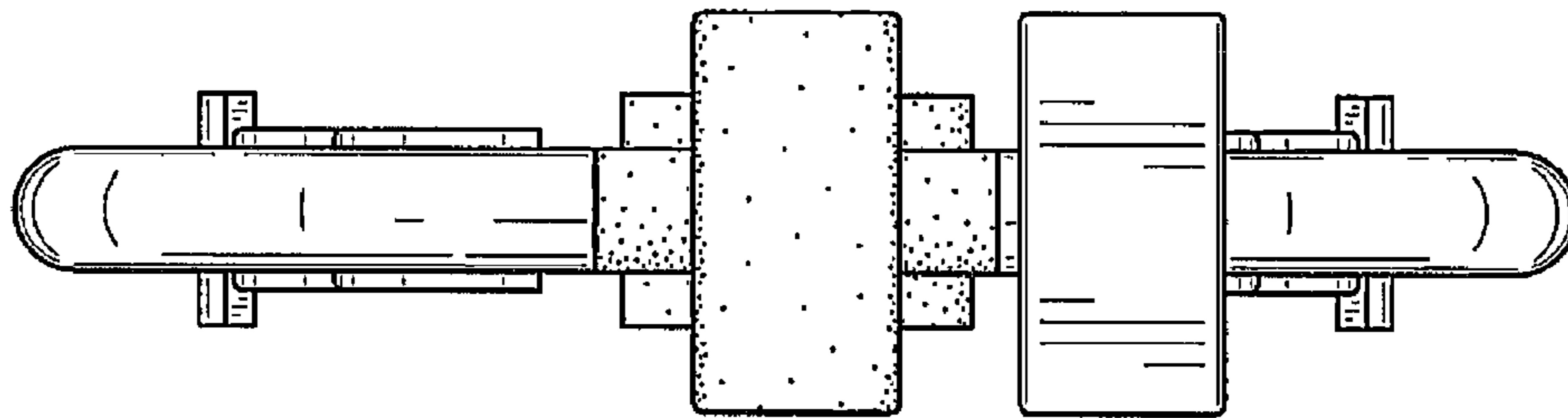


FIG. 7