



US00D728793S

(12) **United States Design Patent**
Kim et al.

(10) **Patent No.:** **US D728,793 S**
(45) **Date of Patent:** **** May 5, 2015**

(54) **X-RAY DEVICE**

(56) **References Cited**

(71) Applicant: **Samsung Electronics Co., Ltd.**,
Suwon-si, Gyeonggi-do (KR)
(72) Inventors: **Eui-Sik Kim**, Seoul (KR); **Yeon-Moo**
Chung, Seoul (KR); **Sung-Woo Sul**,
Yongin-si (KR)

U.S. PATENT DOCUMENTS

D331,110	S	*	11/1992	Virta et al.	D24/158
7,302,031	B2	*	11/2007	Hjarn et al.	378/37
D563,553	S	*	3/2008	Saito et al.	D24/158
7,978,812	B2	*	7/2011	Thaler	378/37
D659,833	S	*	5/2012	Ogura	D24/158
D669,989	S	*	10/2012	Boudier	D24/158
D691,723	S	*	10/2013	Patil et al.	D24/158
2011/0087132	A1	*	4/2011	DeFreitas et al.	378/37

(73) Assignee: **Samsung Electronics Co., Ltd.** (KR)

* cited by examiner

(**) Term: **14 Years**

Primary Examiner — Anhdao Doan

(21) Appl. No.: **29/497,708**

(74) *Attorney, Agent, or Firm* — Cantor Colburn LLP

(22) Filed: **Jul. 28, 2014**

(57) **CLAIM**

The ornamental design for an X-ray device, as shown and described.

(30) **Foreign Application Priority Data**

DESCRIPTION

Jan. 29, 2014 (KR) 30-2014-0004949

(51) **LOC (10) Cl.** **24-01**

(52) **U.S. Cl.**
USPC **D24/158**

(58) **Field of Classification Search**
USPC D24/158-161, 185, 186, 183, 184;
378/4, 15, 17, 21, 23-27, 62, 68,
378/196-198, 37, 204, 208; 600/407, 409,
600/410, 415, 421, 422, 425

FIG. 1 is a front perspective view of an X-ray device, showing our new design;

FIG. 2 is a front view thereof;

FIG. 3 is a rear view thereof;

FIG. 4 is a side view thereof;

FIG. 5 is another side view thereof;

FIG. 6 is a top view thereof; and,

FIG. 7 is a bottom view thereof.

The broken lines illustrating portions of the X-ray device are for environmental purposes only and form no part of the claimed design.

See application file for complete search history.

1 Claim, 7 Drawing Sheets

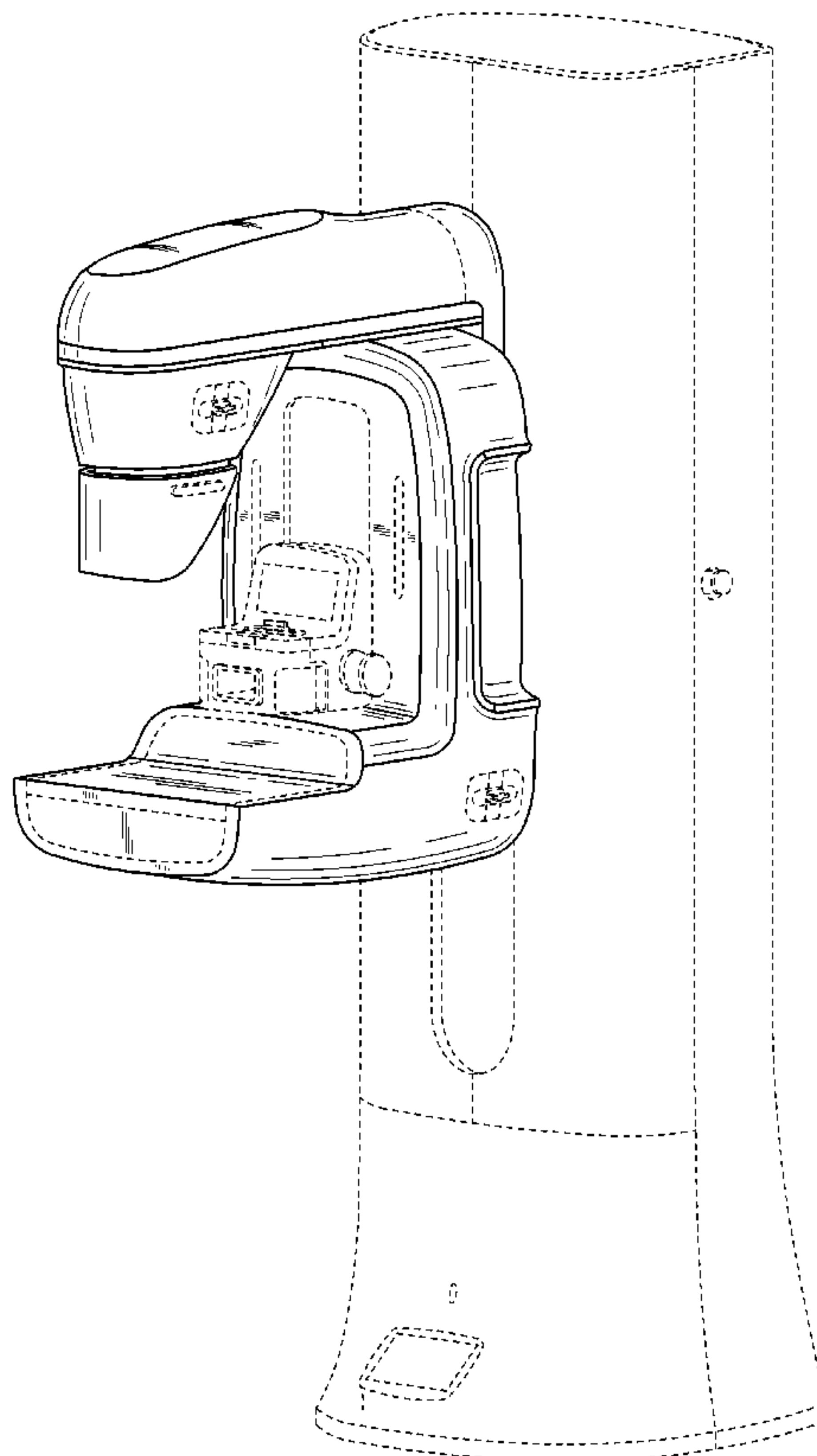


FIG.1

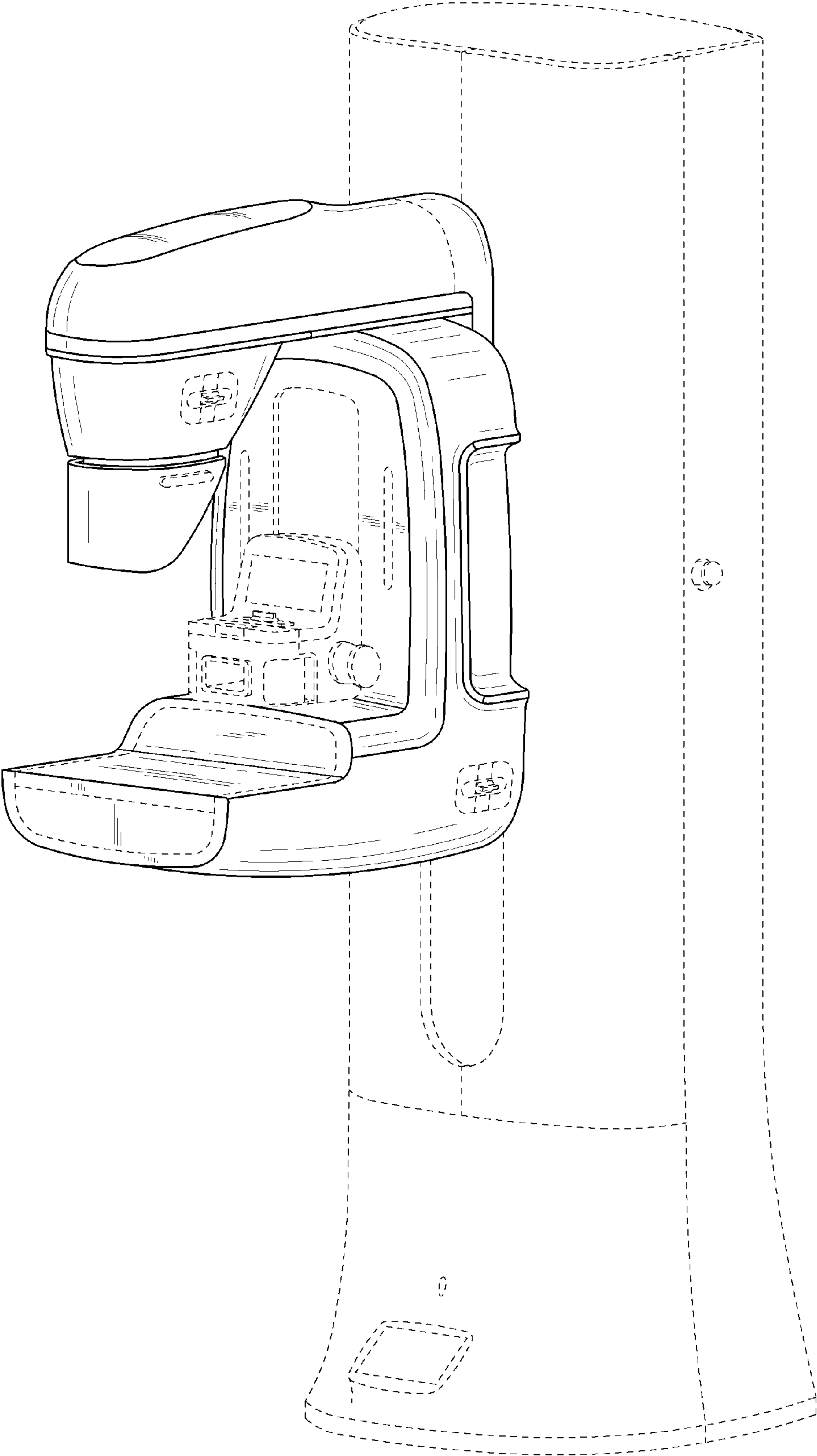


FIG.2

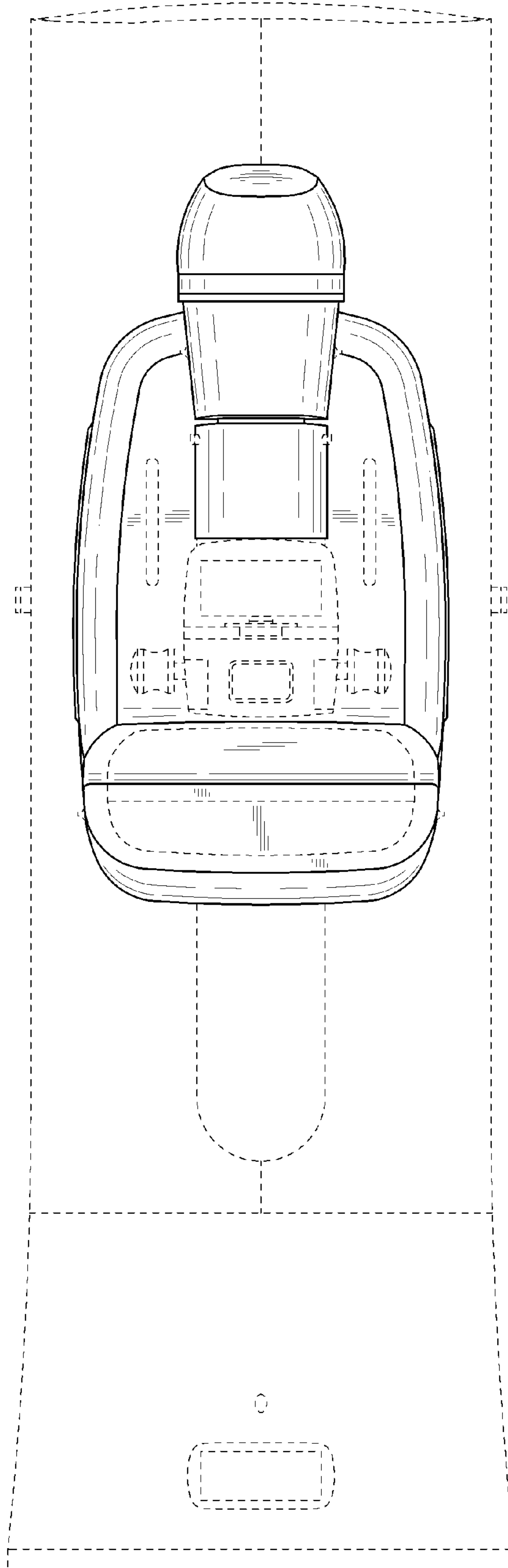


FIG.3

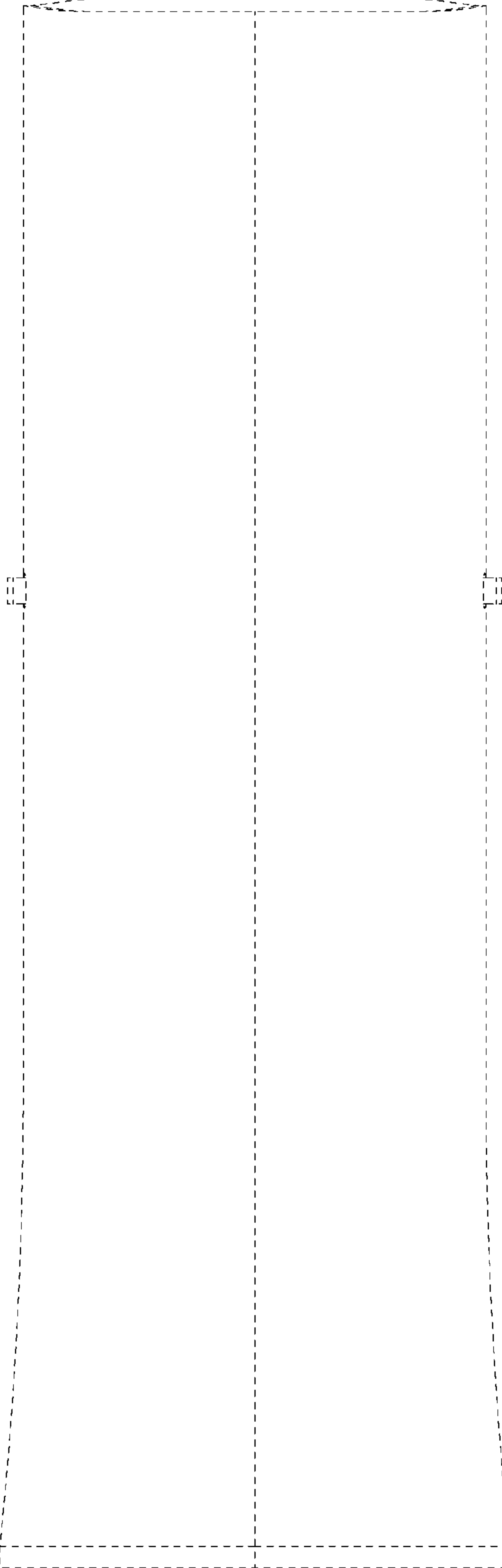


FIG.4

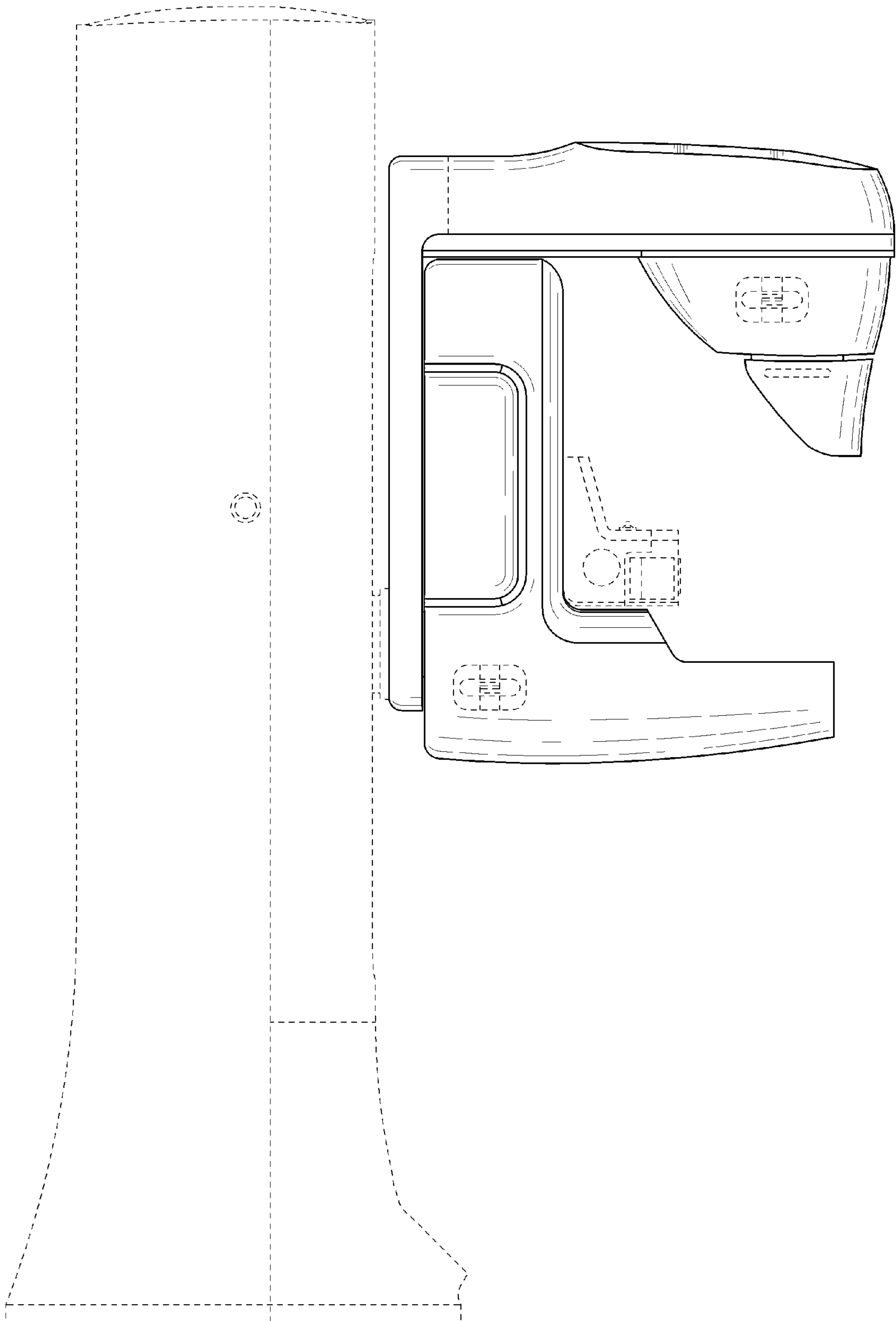


FIG.5

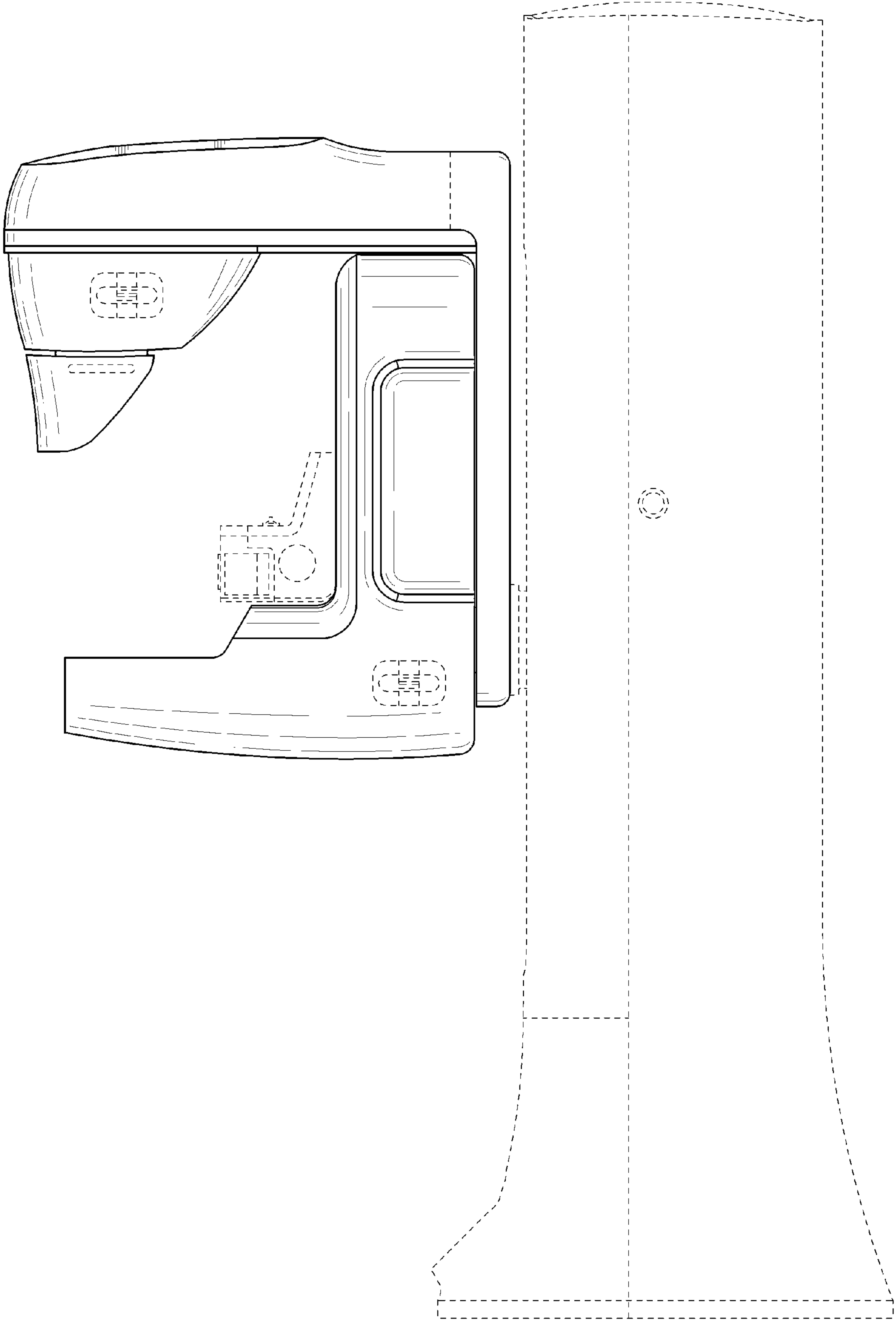


FIG.6

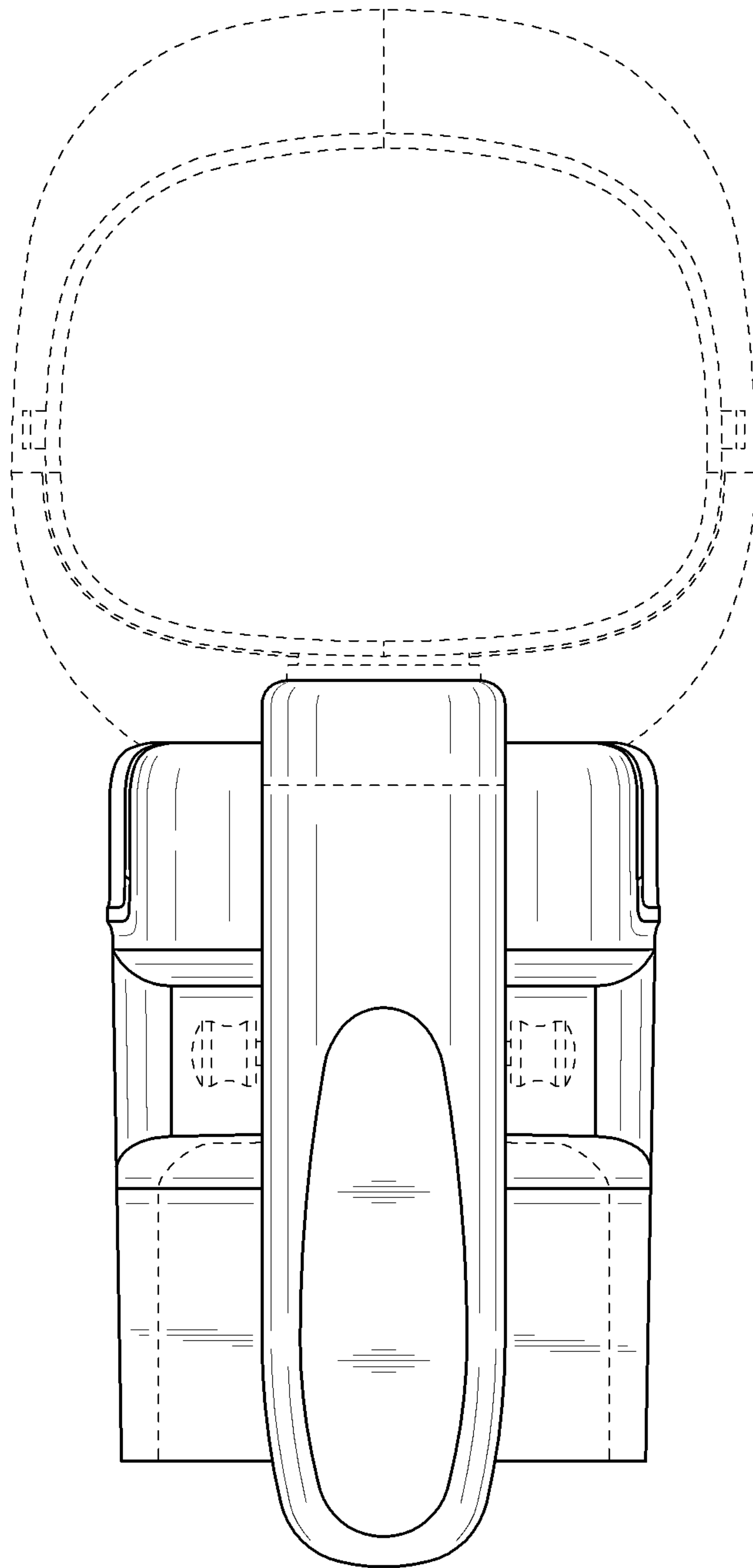


FIG.7

