



US00D728791S

(12) **United States Design Patent**
Ninomiya et al.

(10) **Patent No.:** **US D728,791 S**

(45) **Date of Patent:** **** May 5, 2015**

(54) **ULTRASOUND DIAGNOSIS APPARATUS**

(56)

References Cited

(71) Applicant: **Hitachi Aloka Medical, Ltd.**, Tokyo
(JP)

U.S. PATENT DOCUMENTS

(72) Inventors: **Atsushi Ninomiya**, Tokyo (JP);
Katsumi Usami, Tokyo (JP); **Masaru**
Yokoyama, Tokyo (JP); **Kazuyuki**
Yanase, Tokyo (JP); **Masahiko Suda**,
Tokyo (JP); **Kento Ui**, Tokyo (JP)

| | | | | | | |
|--------------|----|---|---------|------------------|-------|---------|
| D560,807 | S | * | 1/2008 | Kitayama et al. | | D24/158 |
| D571,011 | S | * | 6/2008 | Otoha et al. | | D24/158 |
| D630,752 | S | * | 1/2011 | Suzuki | | D24/158 |
| D650,482 | S | * | 12/2011 | Kim et al. | | D24/158 |
| D662,208 | S | * | 6/2012 | Otoha et al. | | D24/185 |
| D707,359 | S | * | 6/2014 | Kim | | D24/185 |
| D707,360 | S | * | 6/2014 | Kim et al. | | D24/185 |
| D711,539 | S | * | 8/2014 | Hunt et al. | | D24/158 |
| D713,035 | S | * | 9/2014 | Kim et al. | | D24/158 |
| D716,949 | S | * | 11/2014 | Baba et al. | | D24/160 |
| 2007/0270694 | A1 | * | 11/2007 | Pelissier et al. | | 600/443 |
| 2008/0132789 | A1 | * | 6/2008 | Malchow et al. | | 600/443 |
| 2013/0030292 | A1 | * | 1/2013 | Nakajima | | 600/437 |

(73) Assignee: **Hitachi Aloka Medical, Ltd.**, Tokyo
(JP)

* cited by examiner

(**) Term: **14 Years**

Primary Examiner — Anhdao Doan

(21) Appl. No.: **29/487,462**

(74) *Attorney, Agent, or Firm* — Baker Botts L.L.P.

(22) Filed: **Apr. 9, 2014**

(57) **CLAIM**

The ornamental design for an ultrasound diagnosis apparatus,
as shown.

(30) **Foreign Application Priority Data**

DESCRIPTION

Oct. 9, 2013 (JP) 2013-023628

(51) **LOC (10) Cl.** **24-01**

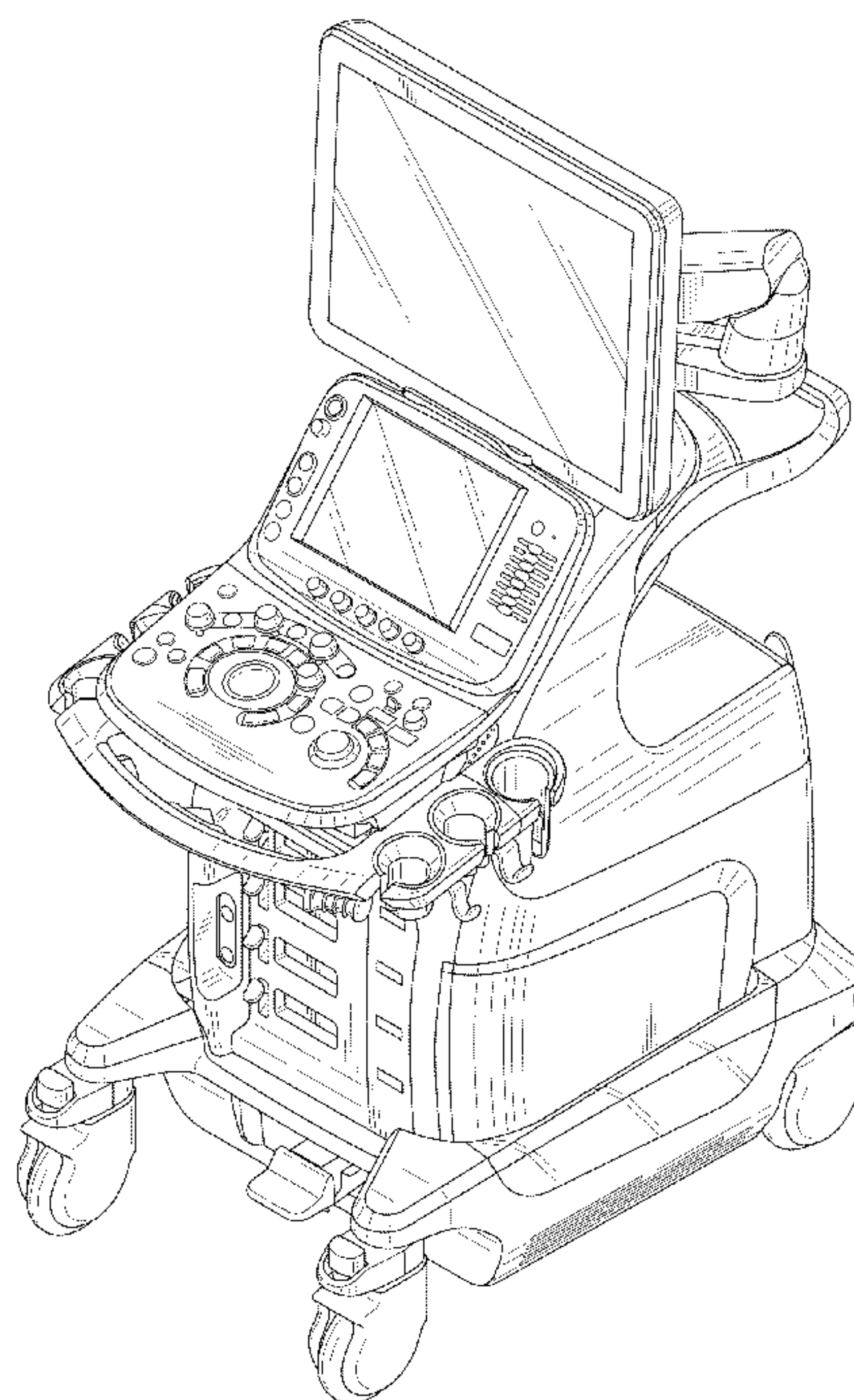
(52) **U.S. Cl.**
USPC **D24/158; D24/160**

(58) **Field of Classification Search**
USPC D24/158-161, 185, 186; 606/32-34;
600/437, 443; 248/282.1

FIG. 1 is a perspective view of an ultrasound diagnosis apparatus showing our new design;
FIG. 2 is a front elevational view thereof;
FIG. 3 is a rear elevational view thereof;
FIG. 4 is a left side elevational view thereof;
FIG. 5 is a right side elevational view thereof;
FIG. 6 is a top plan view thereof;
FIG. 7 is a bottom plan view thereof; and,
FIG. 8 is a right side elevational view thereof in an alternate condition.

See application file for complete search history.

1 Claim, 8 Drawing Sheets



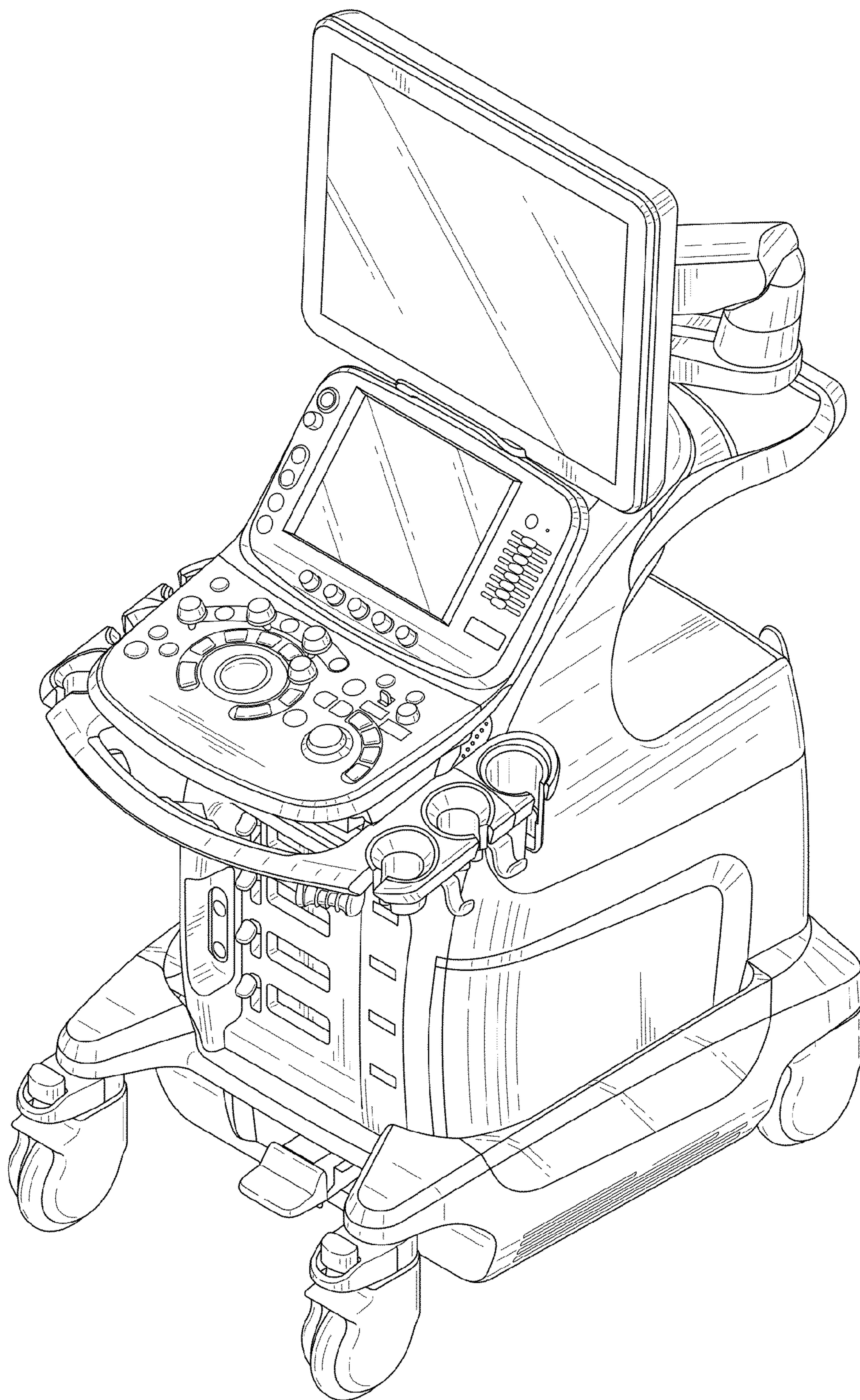


FIG. 1

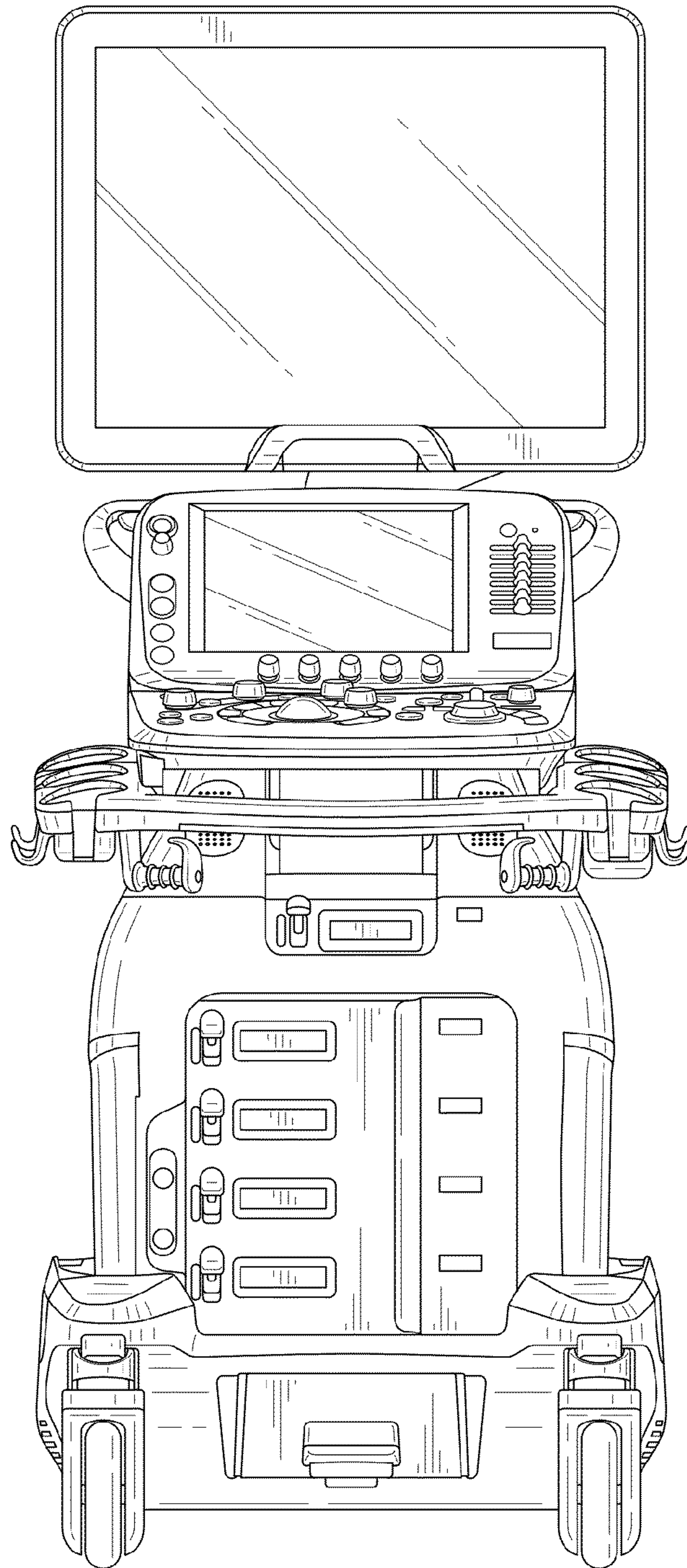


FIG. 2

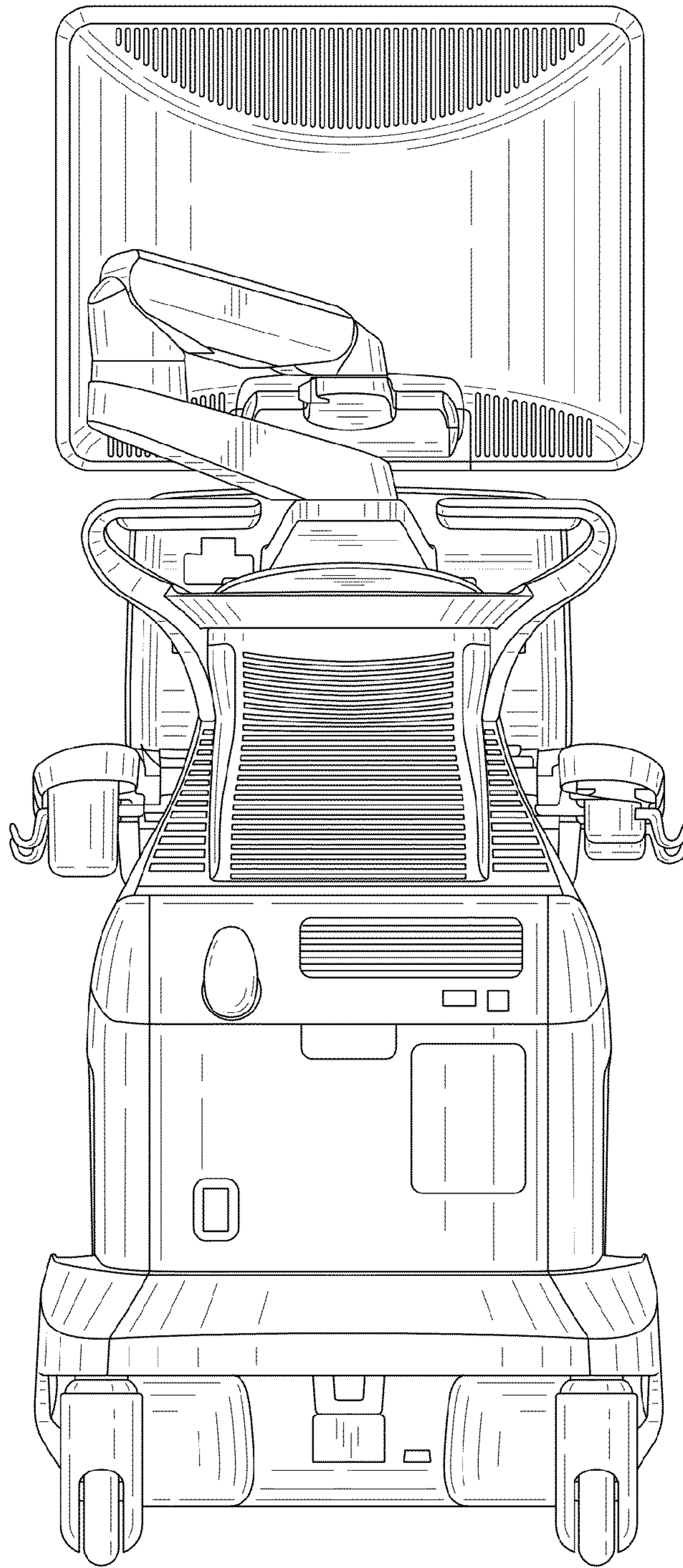


FIG. 3

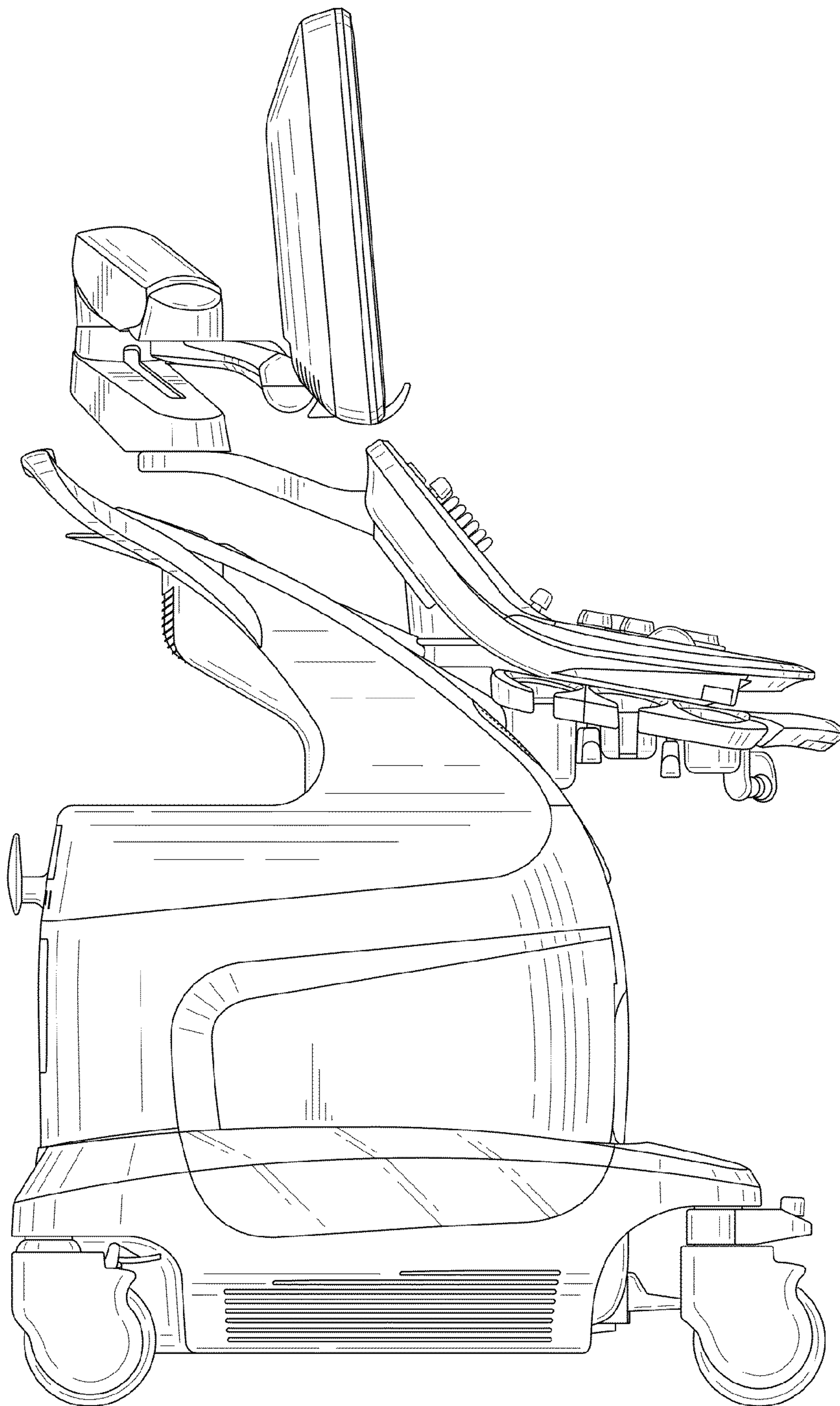


FIG. 4

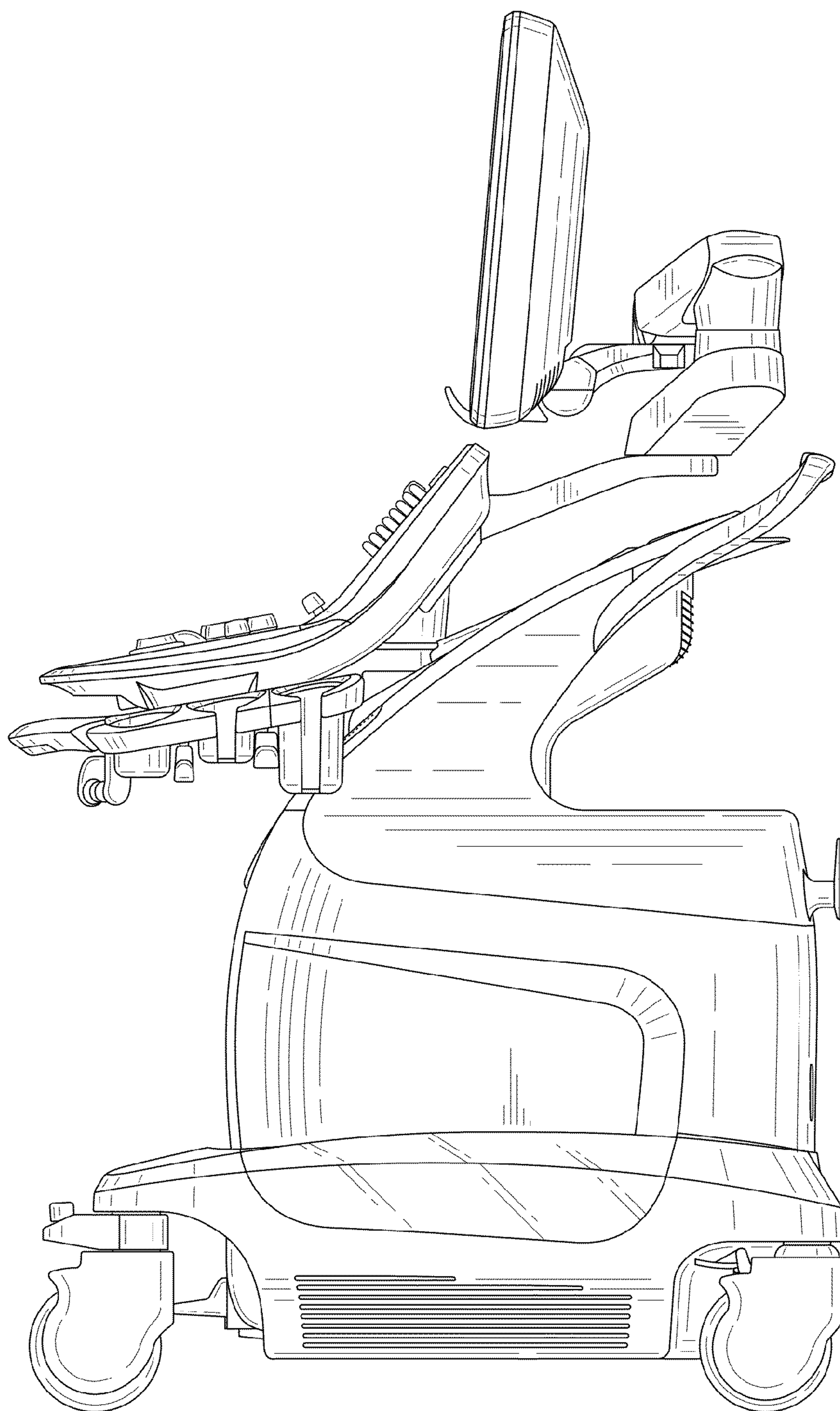


FIG. 5

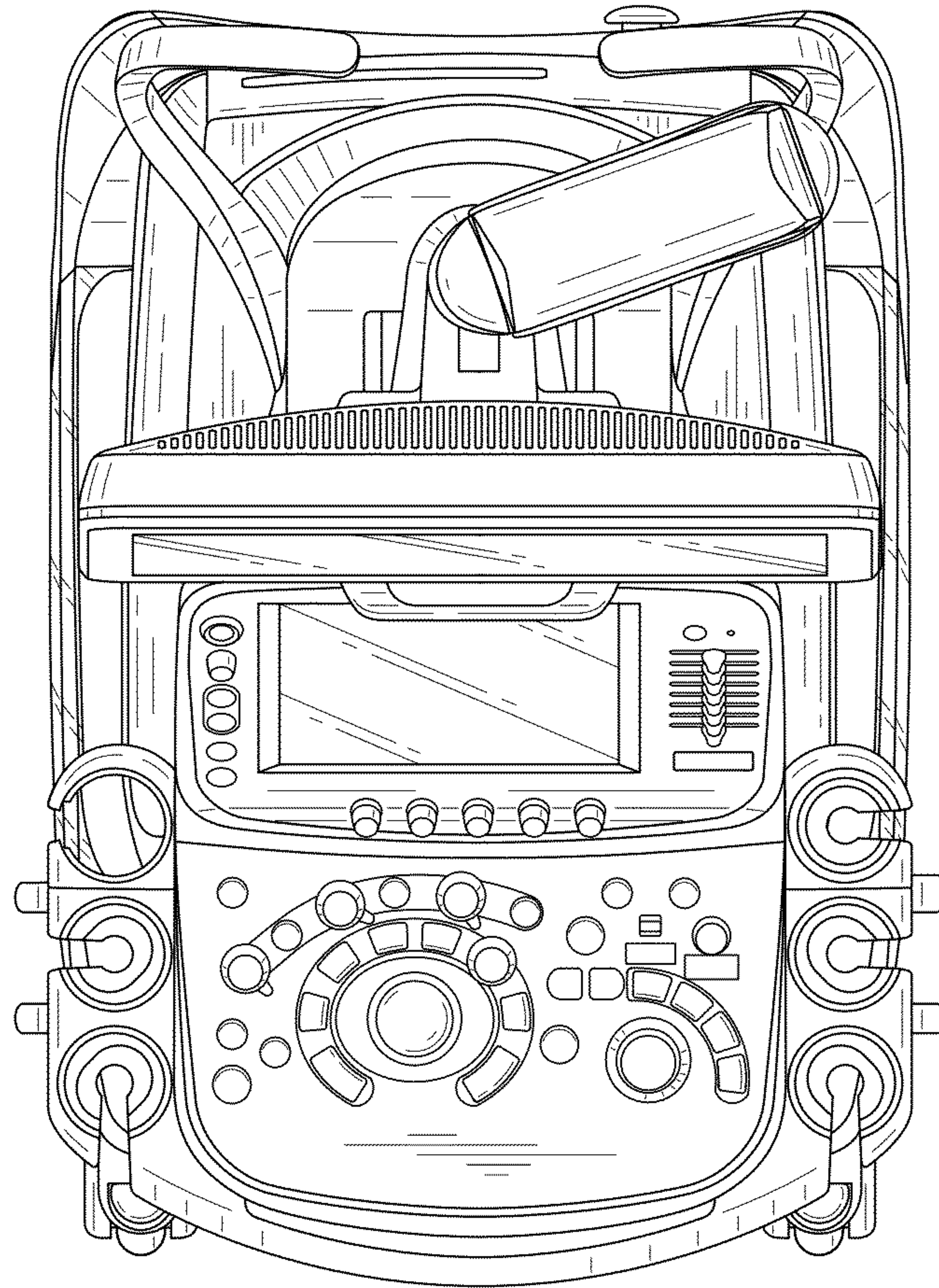


FIG. 6

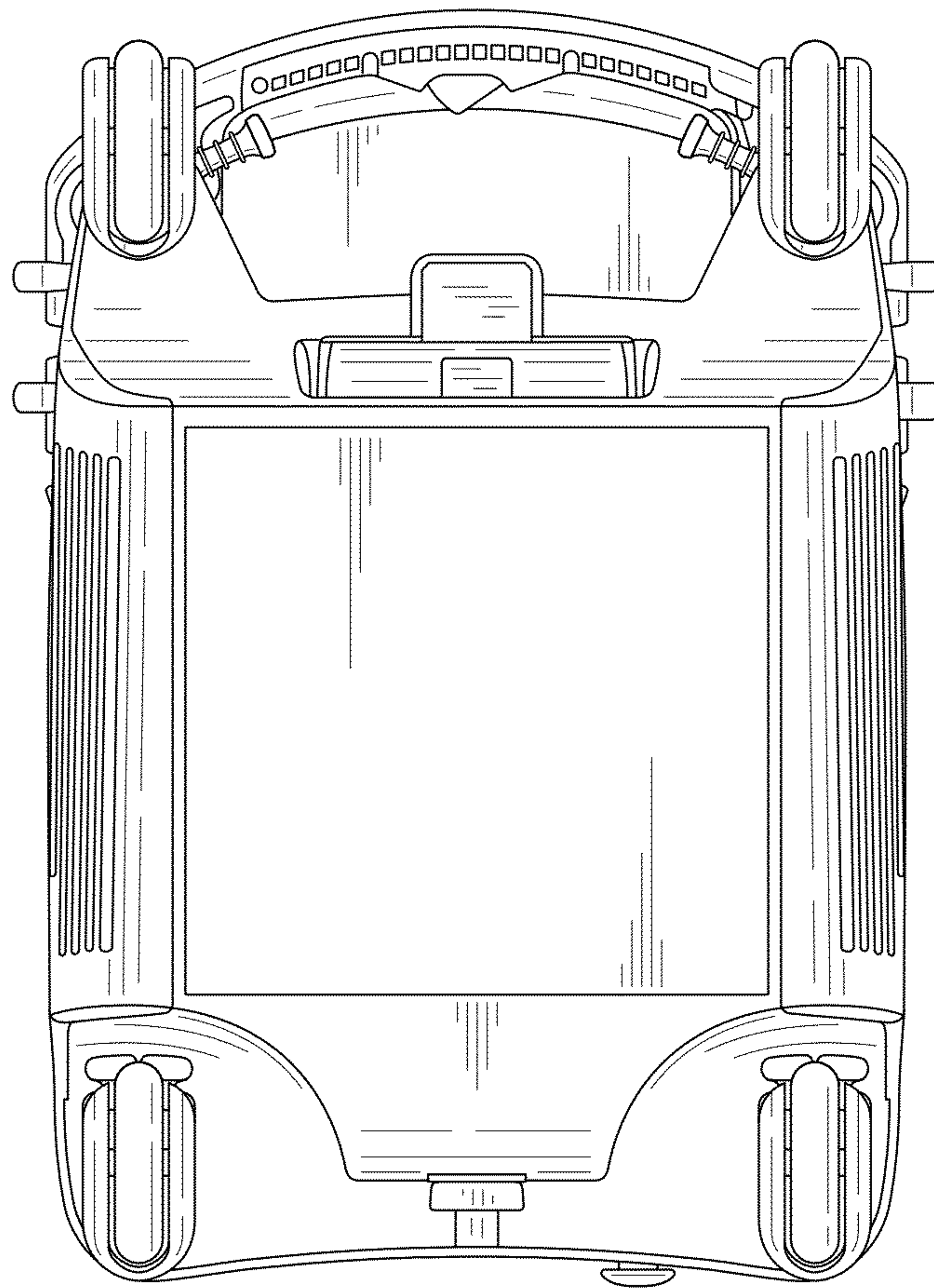


FIG. 7

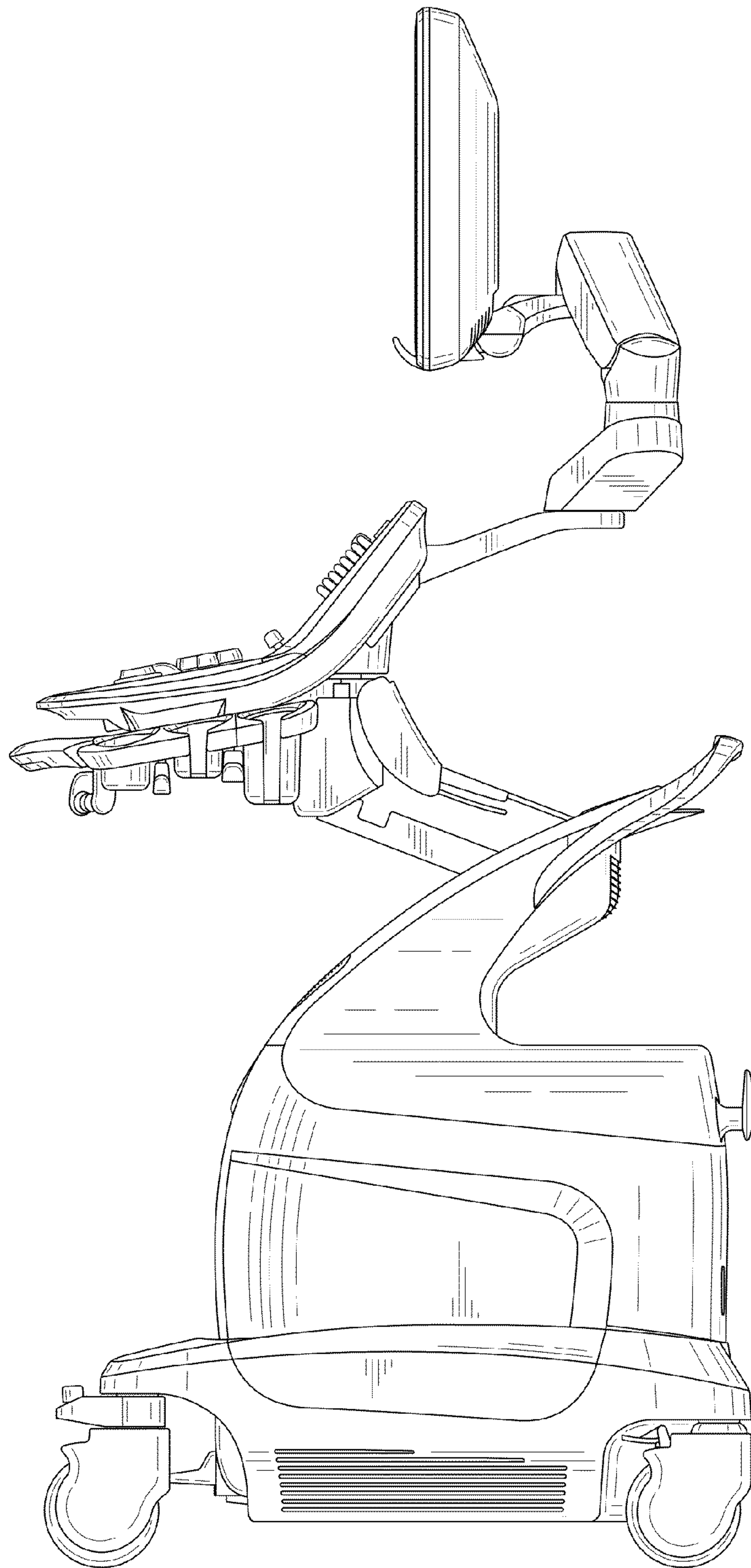


FIG. 8