



US00D728790S

(12) **United States Design Patent**
Kim

(10) **Patent No.:** **US D728,790 S**

(45) **Date of Patent:** **** May 5, 2015**

(54) **MEDICAL ULTRASOUND DEVICE**

(56) **References Cited**

(71) Applicant: **Samsung Electronics Co., Ltd.**,
Suwon-si (KR)

U.S. PATENT DOCUMENTS

(72) Inventor: **Yun-Su Kim**, Seoul (KR)

D395,085	S	*	6/1998	Kenley et al.	D24/169
D467,001	S	*	12/2002	Buczek et al.	D24/172
D492,034	S	*	6/2004	Cruz et al.	D24/169
D648,855	S	*	11/2011	Smith et al.	D24/158
D650,482	S	*	12/2011	Kim et al.	D24/158
D696,783	S	*	12/2013	Chung et al.	D24/185
2011/0152691	A1	*	6/2011	Ikeda et al.	600/459

(73) Assignee: **Samsung Electronics Co., Ltd.** (KR)

(**) Term: **14 Years**

* cited by examiner

(21) Appl. No.: **29/437,945**

Primary Examiner — Ian Simmons

(22) Filed: **Nov. 21, 2012**

Assistant Examiner — Rhea Shields

(74) *Attorney, Agent, or Firm* — Cantor Colburn LLP

Related U.S. Application Data

(63) Continuation of application No. 29/426,898, filed on Jul. 11, 2012.

(57) **CLAIM**

The ornamental design for a medical ultrasound device, as shown and described.

(30) **Foreign Application Priority Data**

Jan. 20, 2012 (KR) 30-2012-0003158

DESCRIPTION

(51) **LOC (10) Cl.** **24-00**

(52) **U.S. Cl.**
USPC **D24/158**

(58) **Field of Classification Search**
USPC D24/177, 182, 183, 184, 185, 186, 144,
D24/160, 167-169, 172, 200, 158, 164, 199,
D24/226, 230, 231; D34/12, 14; 312/22,
312/109, 209, 223.1, 286, 249.8, 249.12;
248/282.1; 600/437, 443, 459

FIG. 1 is a perspective view of a medical ultrasound device showing my new design;
FIG. 2 is a front view thereof;
FIG. 3 is a rear view thereof;
FIG. 4 is a left side view thereof;
FIG. 5 is a right side view thereof;
FIG. 6 is a top plan view thereof; and,
FIG. 7 is a bottom plan view thereof.

In the drawings, the broken lines depict environmental subject matter only and form no part of the claimed design.

See application file for complete search history.

1 Claim, 7 Drawing Sheets

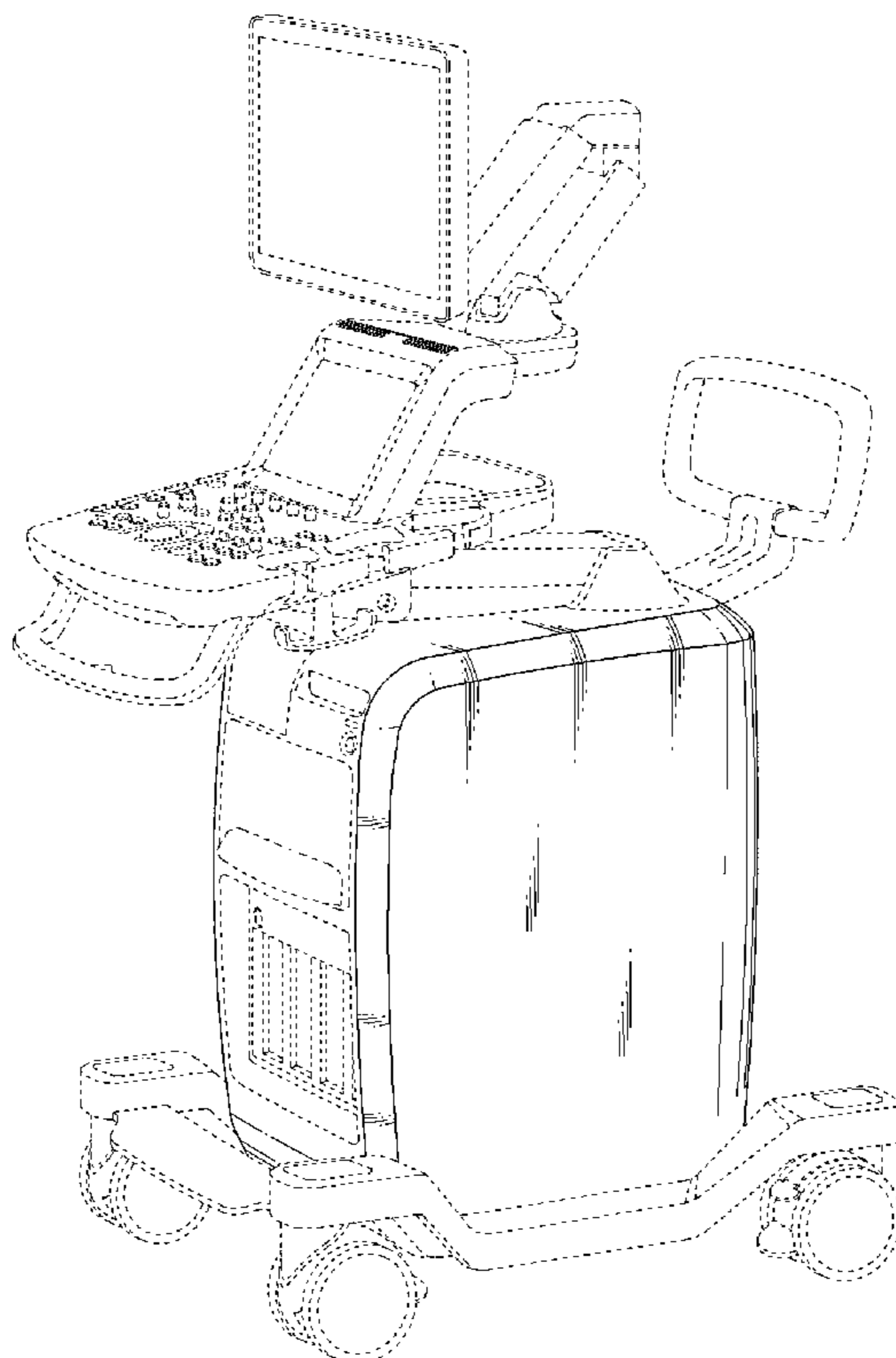


FIG. 1

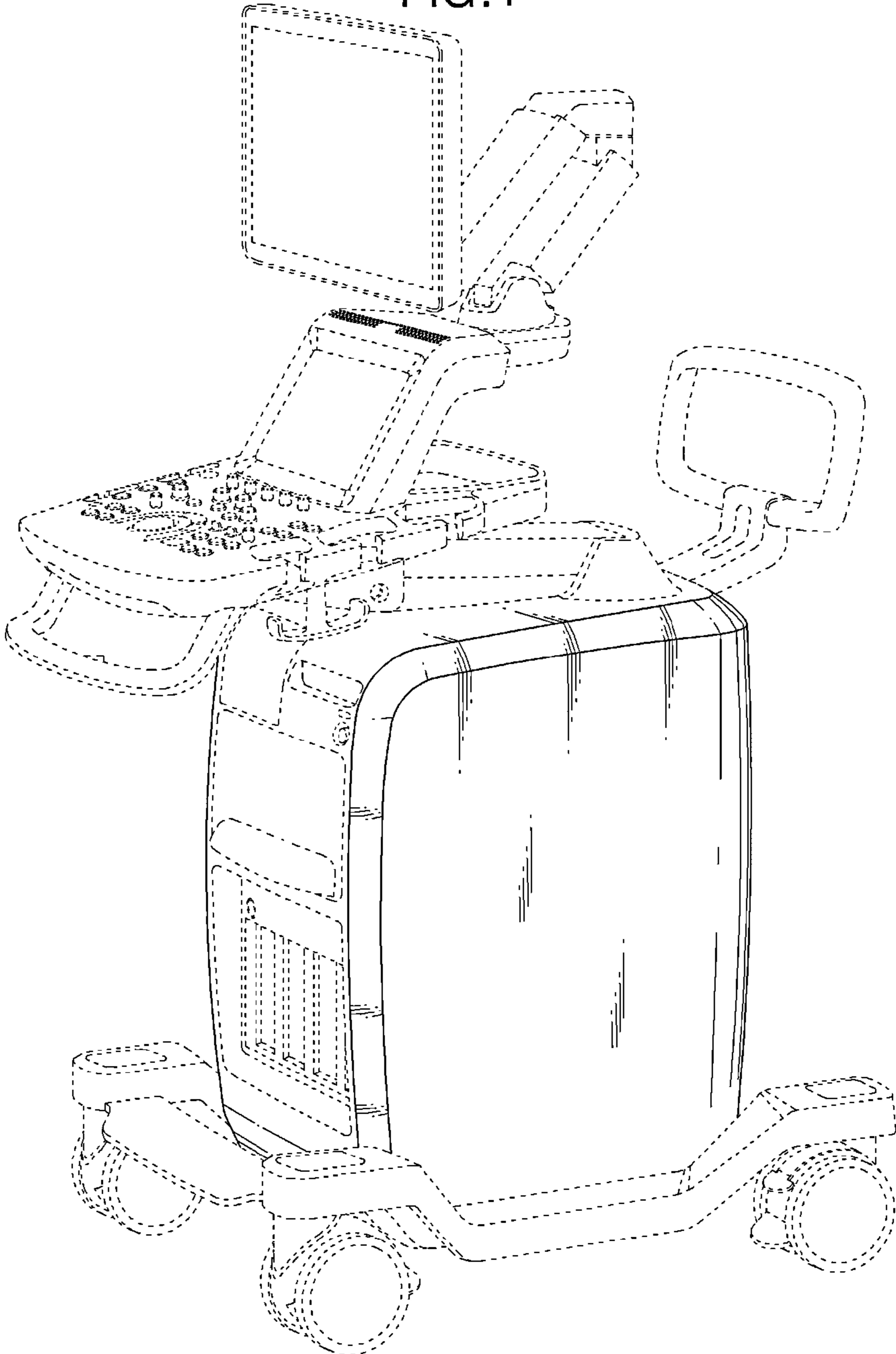


FIG. 2

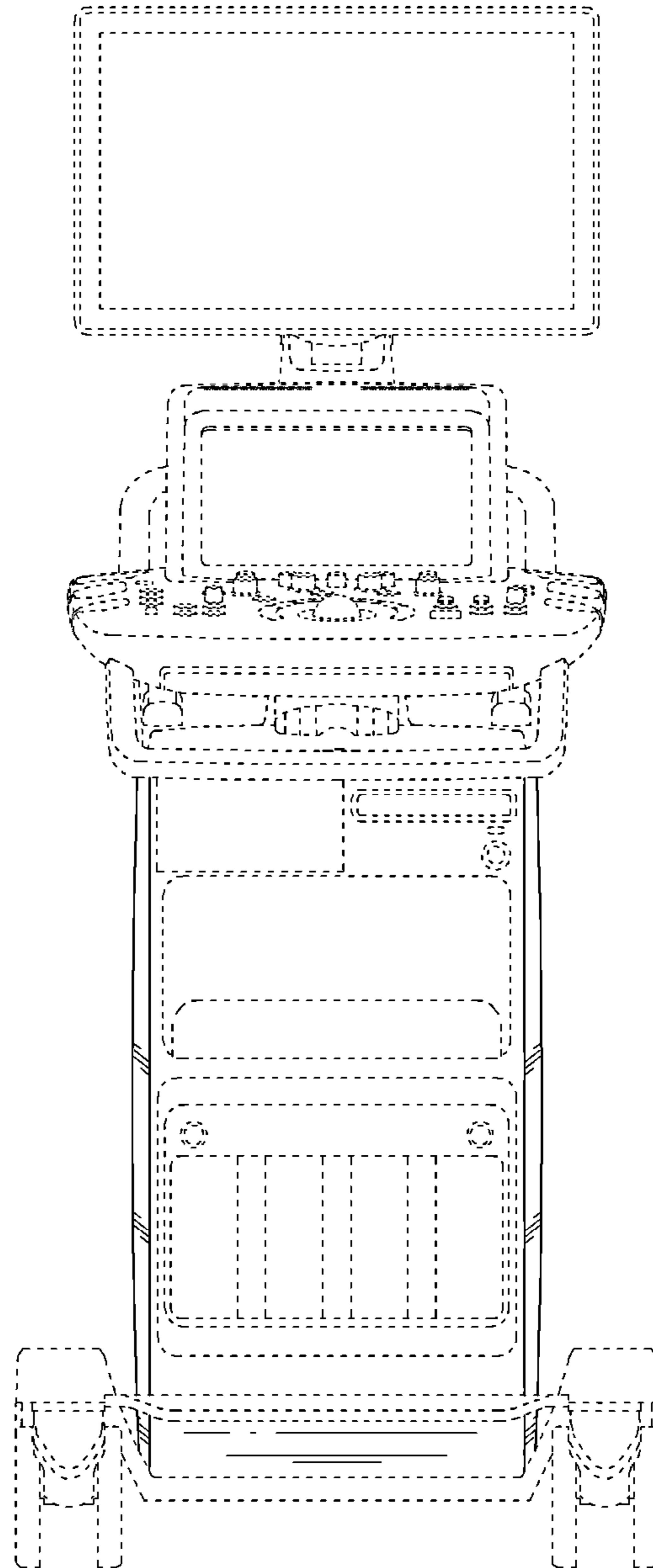


FIG.3

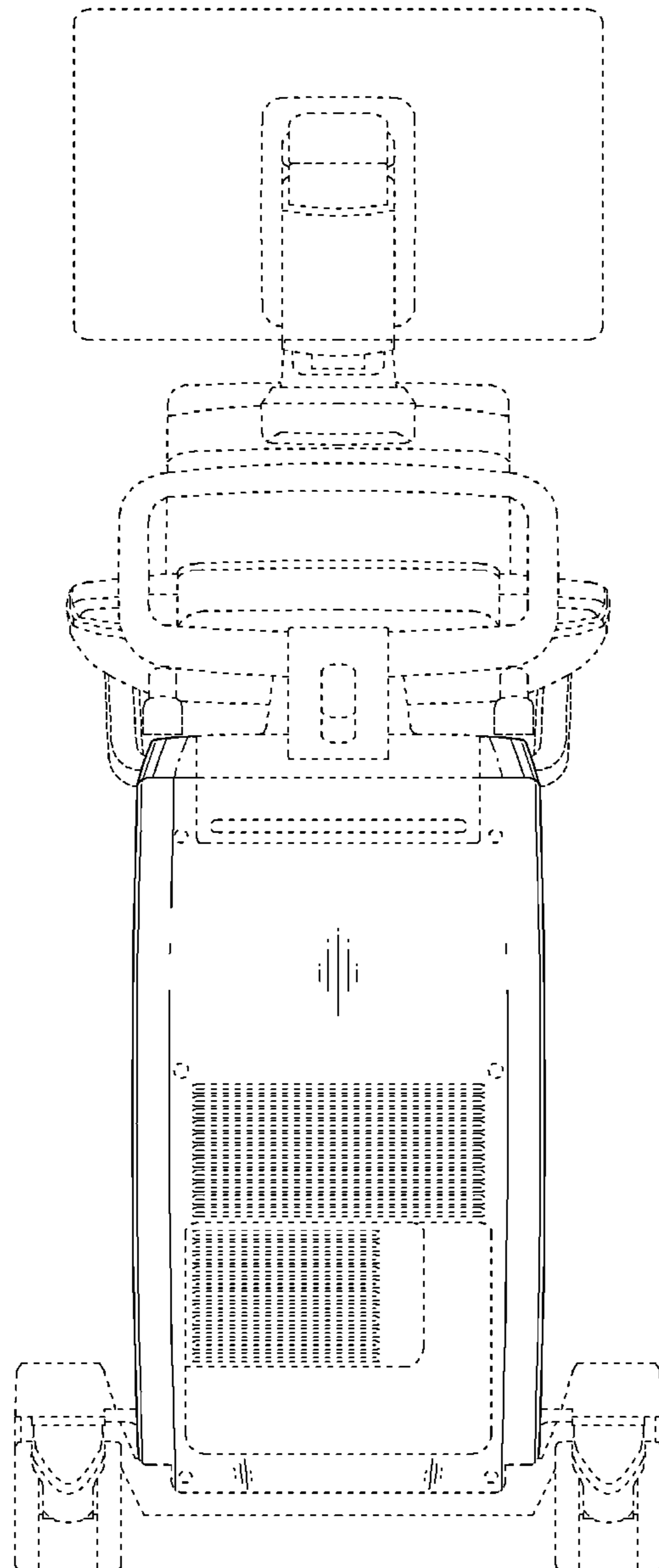


FIG. 4

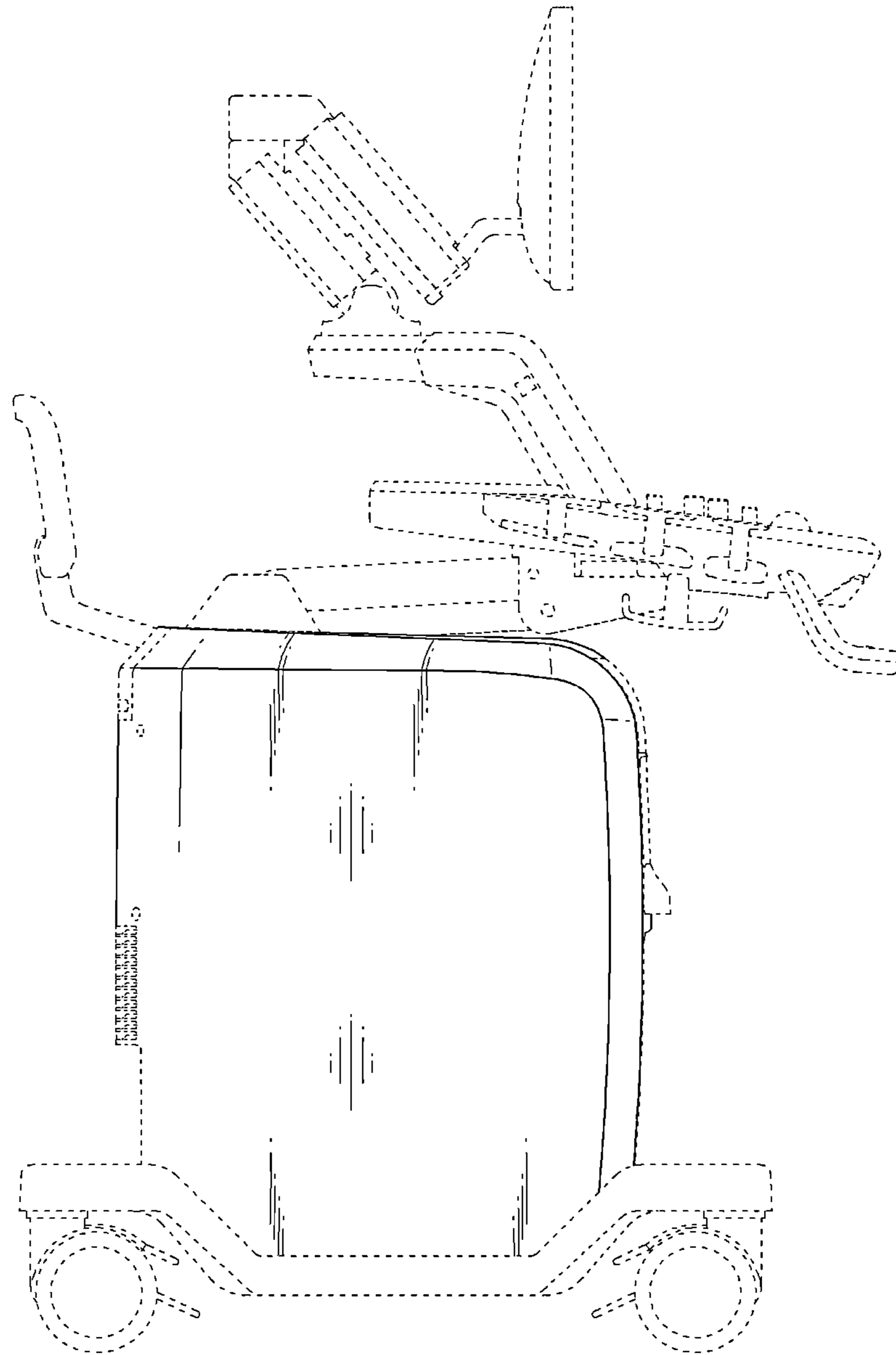


FIG. 5

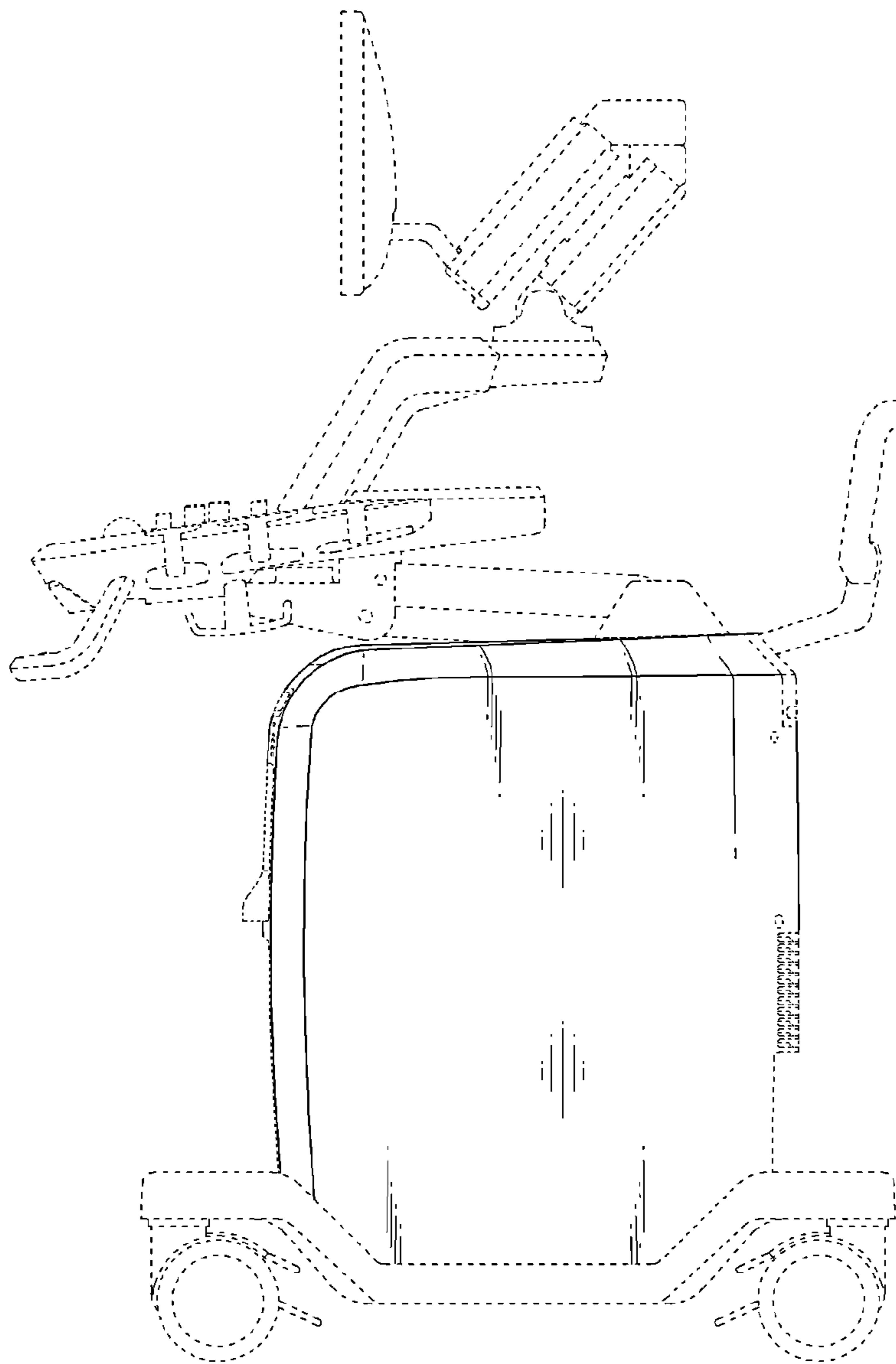


FIG. 6

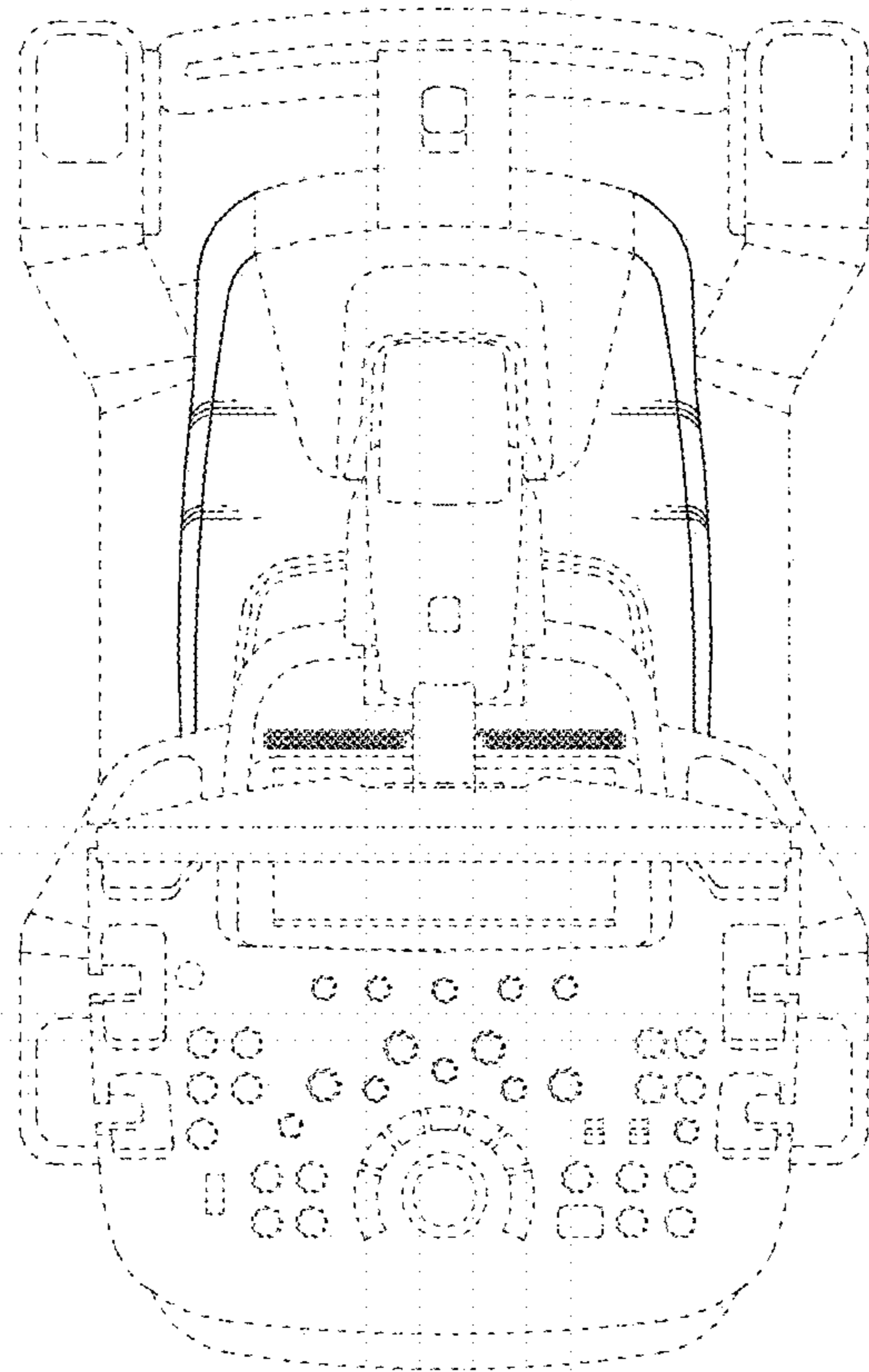


FIG. 7

