

US00D728783S

(12) **United States Design Patent**
Logue

(10) **Patent No.:** **US D728,783 S**

(45) **Date of Patent:** **** May 5, 2015**

(54) **MEDICAMENT PACKAGE**

(75) Inventor: **Anthony Thomas Logue**, Yowie Bay (AU)

(73) Assignee: **Logue and Co. Pty Ltd.**, Yowie Bay, New South Wales (AU)

(**) Term: **14 Years**

(21) Appl. No.: **29/431,534**

(22) Filed: **Sep. 7, 2012**

(30) **Foreign Application Priority Data**

May 21, 2012 (AU) 2012-12458

(51) **LOC (10) Cl.** **24-04**

(52) **U.S. Cl.**
USPC **D24/121**

(58) **Field of Classification Search**
USPC D24/117, 121, 113, 112, 127, 224;
D9/453, 449, 447, 440, 436, 435, 434,
D9/516, 547, 549, 560, 572, 573; D7/398,
D7/397, 608, 602, 619.1, 629; 222/570,
222/569, 544, 548, 562, 157, 15; 604/403
See application file for complete search history.

(56) **References Cited**

U.S. PATENT DOCUMENTS

4,015,400 A * 4/1977 Choksi et al. 53/492
D282,910 S * 3/1986 Biesecker D9/560

D289,975 S * 5/1987 Wendt D24/121
D311,681 S * 10/1990 Aggarwal D9/547
D361,938 S * 9/1995 Sawa et al. D9/563
D374,481 S * 10/1996 McCallister et al. D24/121
D426,161 S * 6/2000 Hestehave et al. D9/520
D451,812 S * 12/2001 Colonna de Giovellina .. D9/560
D602,785 S * 10/2009 Rothberg et al. D9/560
D643,295 S * 8/2011 Sadler et al. D9/522
D656,405 S * 3/2012 Byron D9/560
D693,694 S * 11/2013 Makhsudova D9/560
2013/0102989 A1 * 4/2013 McCoy et al. 604/403

* cited by examiner

Primary Examiner — David Muller

Assistant Examiner — Nathan Johnston

(74) *Attorney, Agent, or Firm* — Sughrue Mion, PLLC

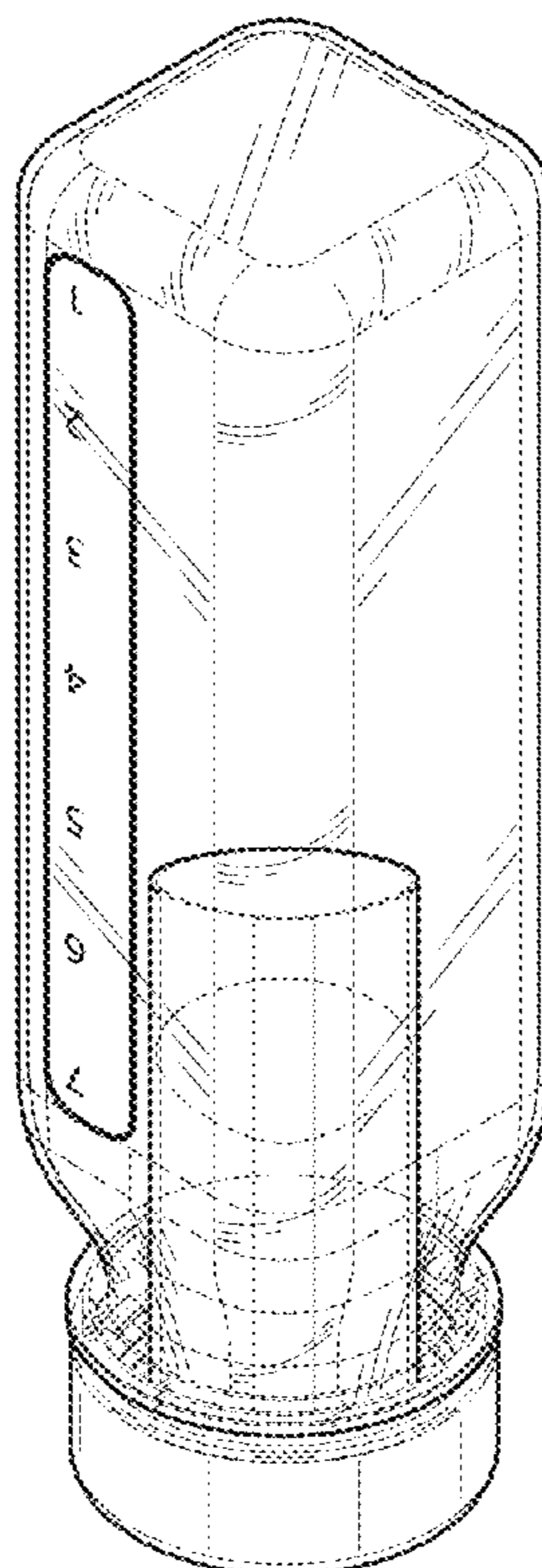
(57) **CLAIM**

The ornamental design for a medicament package, as shown and described.

DESCRIPTION

FIG. 1 is a front perspective view of the medicament package;
FIG. 2 is a left side view of thereof;
FIG. 3 is a right side view thereof;
FIG. 4 is a front view thereof;
FIG. 5 is a rear view thereof;
FIG. 6 is a top view thereof; and,
FIG. 7 is a bottom view thereof.

1 Claim, 4 Drawing Sheets



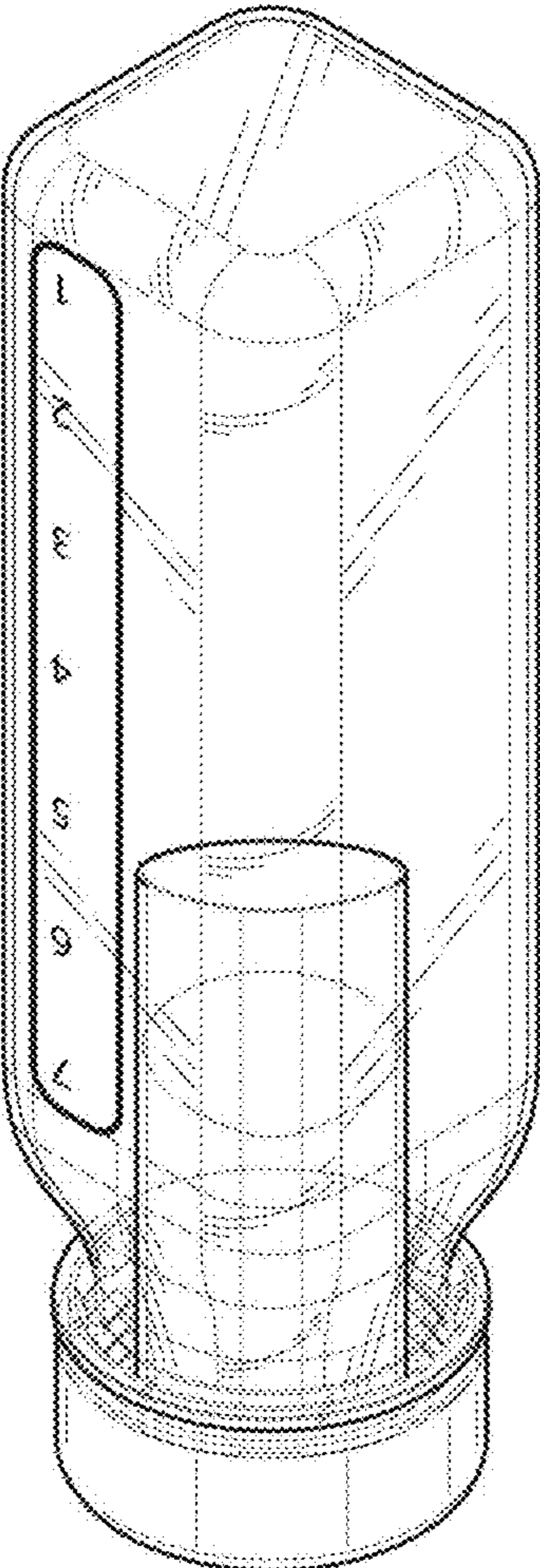


FIG. 1

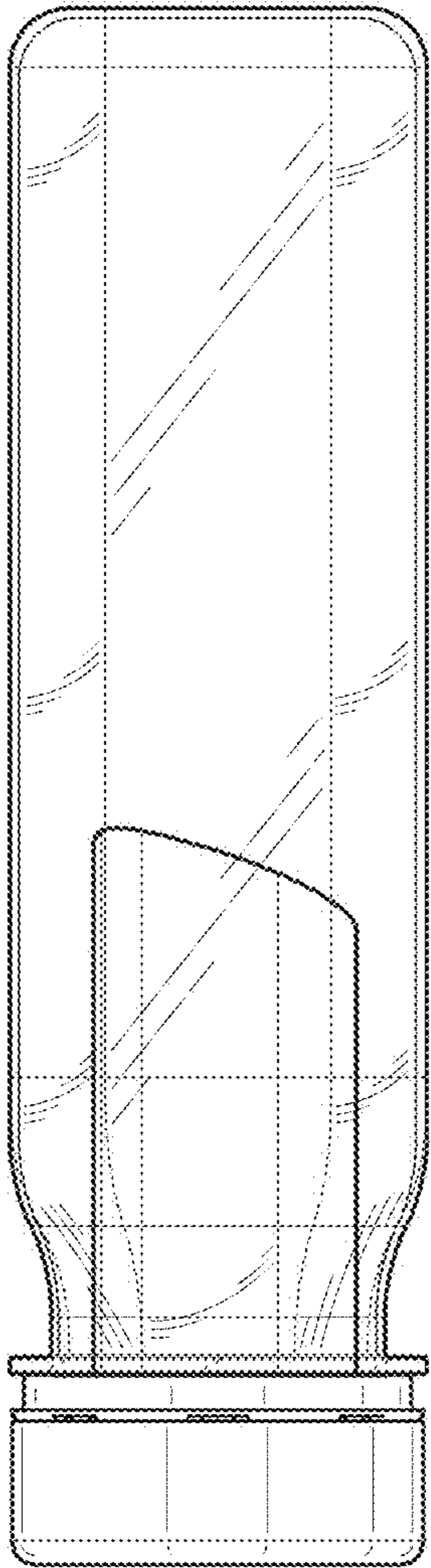


FIG. 2

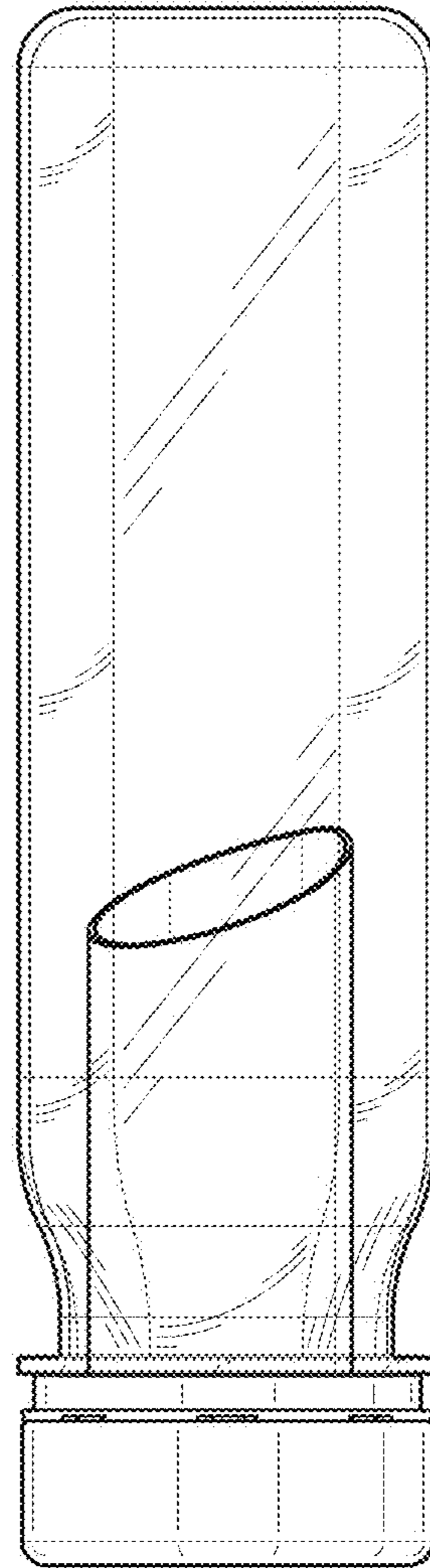


FIG. 3

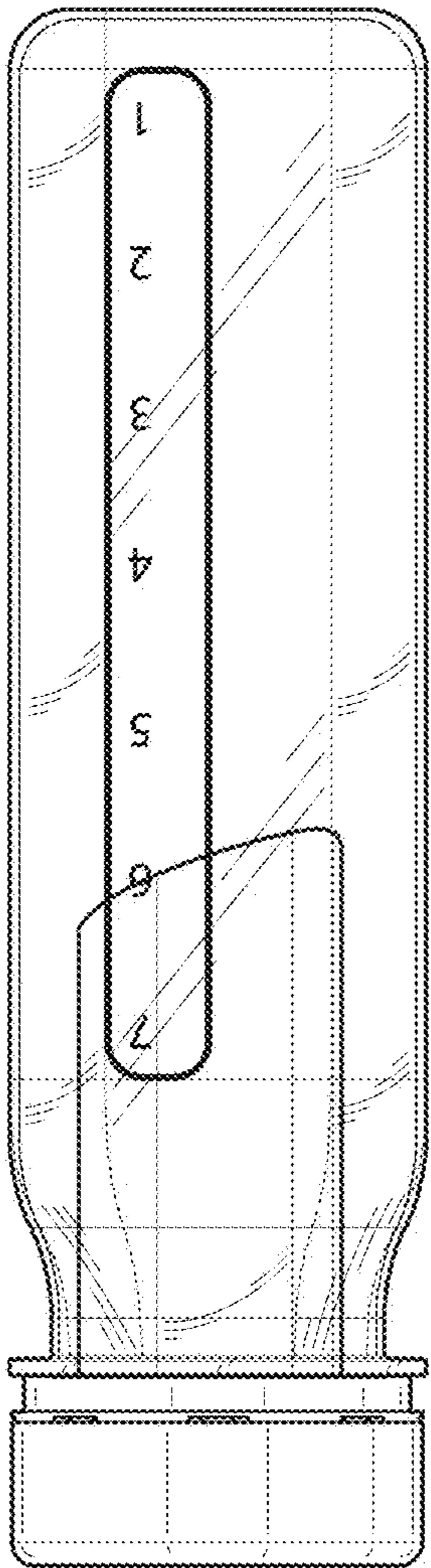


FIG. 4

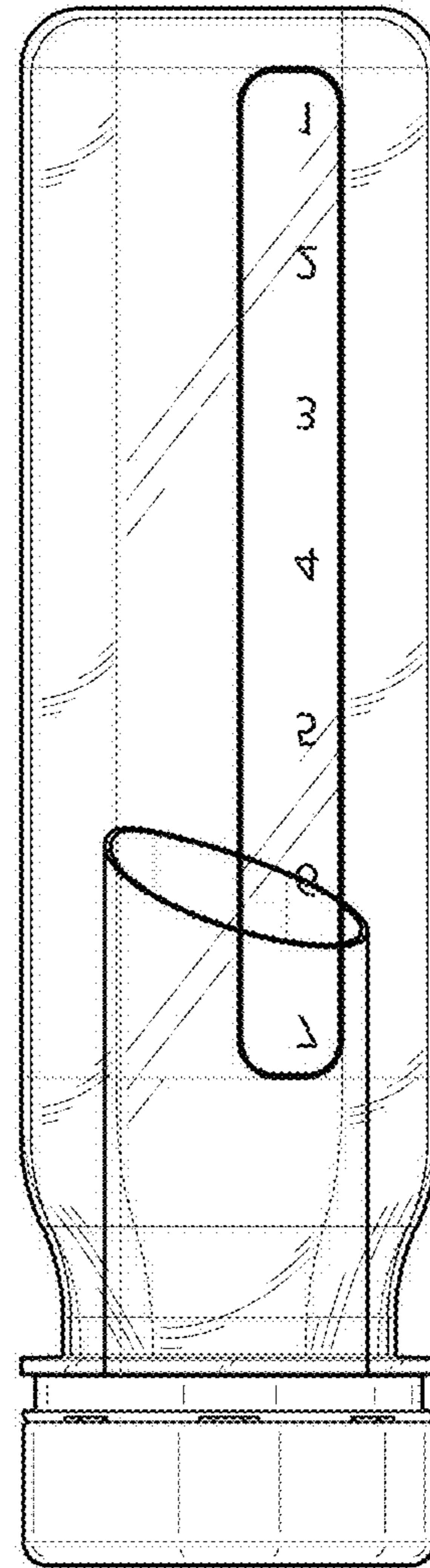


FIG. 5

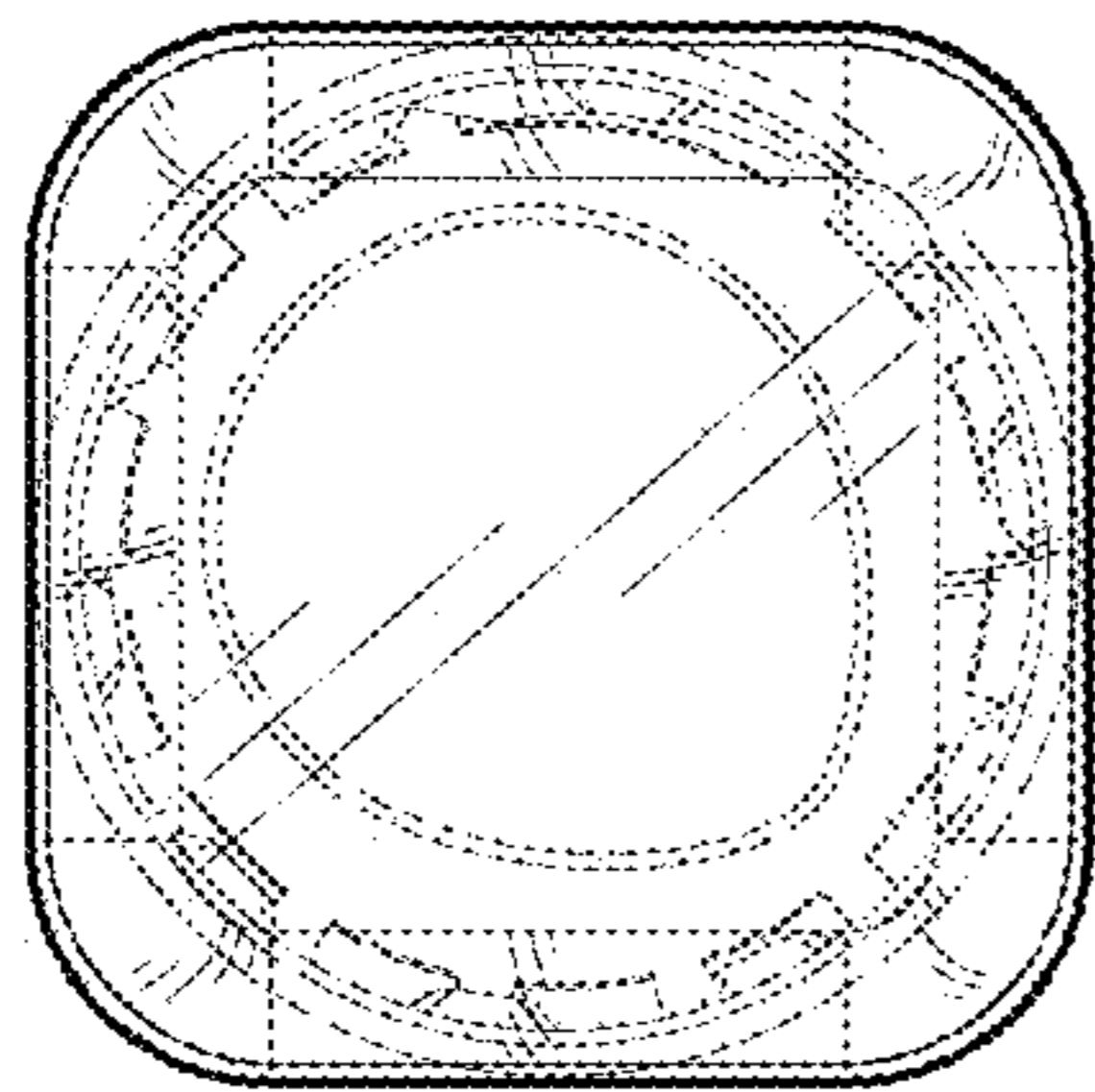


FIG. 6

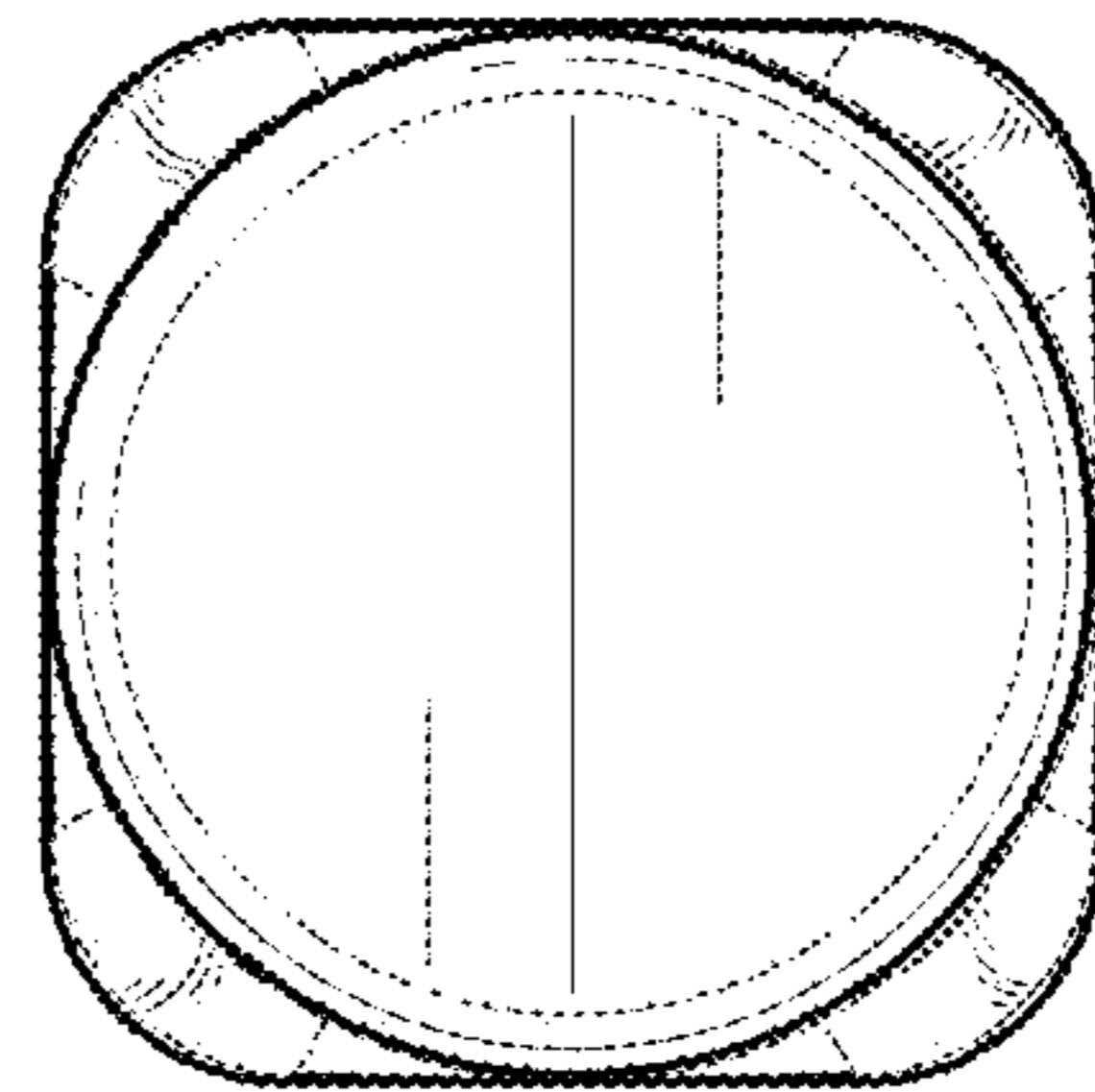


FIG. 7