



US00D728781S

(12) **United States Design Patent**  
**Pierson et al.**

(10) **Patent No.:** **US D728,781 S**  
(45) **Date of Patent:** **\*\* May 5, 2015**

(54) **DENTAL MATERIAL DISPENSER TIP**

(71) Applicant: **DENTSPLY International Inc.**, York, PA (US)

(72) Inventors: **Paul Richard Pierson**, Camden, DE (US); **Paul McDonough**, Woodstock, IL (US)

(73) Assignee: **DENTSPLY International Inc.**, York, PA (US)

(\*\*) Term: **14 Years**

(21) Appl. No.: **29/470,440**

(22) Filed: **Oct. 22, 2013**

**Related U.S. Application Data**

(63) Continuation of application No. 29/468,516, filed on Oct. 1, 2013.

(51) **LOC (10) Cl.** ..... **24-02**

(52) **U.S. Cl.**  
USPC ..... **D24/112; D24/152**

(58) **Field of Classification Search**  
USPC ..... D24/152, 156, 176-180; 433/80-83, 433/31, 87, 90, 126  
See application file for complete search history.

(56) **References Cited**

**U.S. PATENT DOCUMENTS**

|           |     |        |              |         |
|-----------|-----|--------|--------------|---------|
| 3,738,006 | A * | 6/1973 | Lopez et al. | 433/90  |
| 4,255,140 | A   | 3/1981 | Marshall     |         |
| 4,468,202 | A   | 8/1984 | Cohen        |         |
| 4,531,914 | A   | 7/1985 | Spinello     |         |
| 4,995,540 | A * | 2/1991 | Colin et al. | 433/90  |
| D315,956  | S * | 4/1991 | Dragan       | D24/112 |
| D334,803  | S * | 4/1993 | Discko, Jr.  | D24/112 |
| 5,661,222 | A   | 8/1997 | Hare         |         |
| 5,863,965 | A   | 1/1999 | Hare         |         |
| 6,079,979 | A * | 6/2000 | Riitano      | 433/81  |

|              |      |         |                |        |
|--------------|------|---------|----------------|--------|
| 6,135,771    | A *  | 10/2000 | Dragan et al.  | 433/90 |
| 6,170,714    | B1   | 1/2001  | Lesage         |        |
| 6,182,867    | B1   | 2/2001  | Keller         |        |
| 7,195,483    | B2   | 3/2007  | Dragan         |        |
| 8,016,161    | B2   | 9/2011  | Pierson et al. |        |
| 8,469,707    | B2 * | 6/2013  | Emde           | 433/80 |
| 8,616,879    | B2 * | 12/2013 | Dubey et al.   | 433/80 |
| 2007/0015106 | A1 * | 1/2007  | Bertl et al.   | 433/80 |
| 2007/0184410 | A1   | 8/2007  | Boghosian      |        |

(Continued)

**FOREIGN PATENT DOCUMENTS**

|    |         |    |        |
|----|---------|----|--------|
| EP | 0820265 | B1 | 6/2005 |
| EP | 2230025 | A1 | 9/2010 |

(Continued)

**OTHER PUBLICATIONS**

International Search Report, Application 2012/043716, Published Jun. 22, 2012.

International Written Opinion, Application 2012/043716, Published Jun. 22, 2012.

*Primary Examiner* — Wan Laymon

(74) *Attorney, Agent, or Firm* — Leana Levin; Douglas J Hura; David A Zdurne

(57) **CLAIM**

The ornamental design for a dental material dispenser tip, as shown and described.

**DESCRIPTION**

FIG. 1 is an isometric view of a dental material dispenser tip showing our new design;

FIG. 2 is a first side view thereof;

FIG. 3 is a second side view thereof;

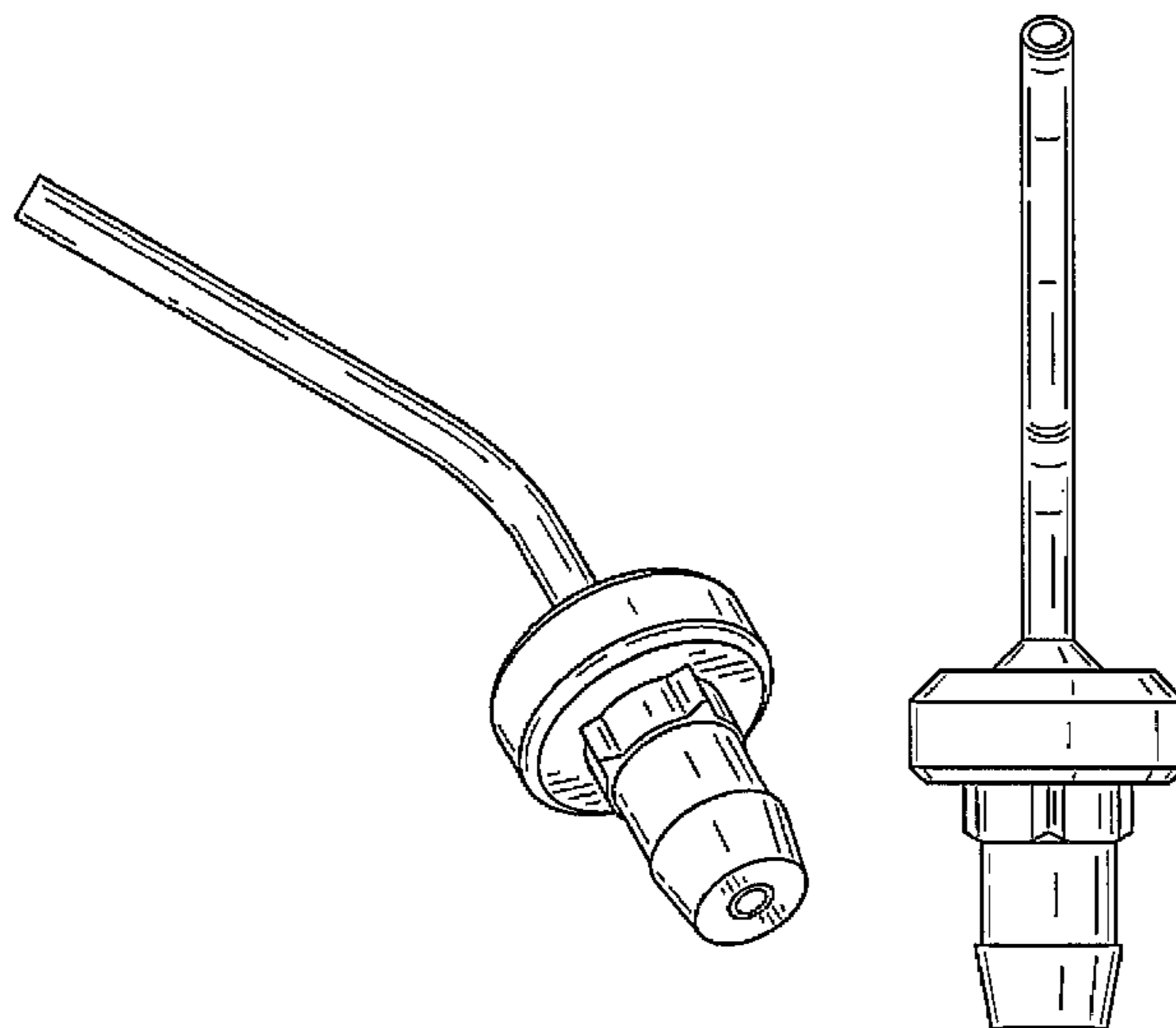
FIG. 4 is a rear view thereof;

FIG. 5 is a front view thereof;

FIG. 6 is a top view thereof; and,

FIG. 7 is a bottom view thereof.

**1 Claim, 3 Drawing Sheets**



(56)

**References Cited**

FOREIGN PATENT DOCUMENTS

U.S. PATENT DOCUMENTS

2007/0264315 A1 11/2007 Fournie et al.  
2008/0041879 A1 2/2008 Pierson et al.  
2008/0220050 A1 9/2008 Chen et al.  
2009/0042162 A1\* 2/2009 Pond ..... 433/80  
2010/0248190 A1 9/2010 Chen et al.  
2010/0285485 A1 11/2010 Jung et al.  
2011/0151403 A1 6/2011 Pauser et al.  
2011/0223556 A1 9/2011 Abel  
2012/0329006 A1\* 12/2012 Pierson et al. .... 433/90

GB 2142245 A 1/1985  
WO 9009151 A1 8/1990  
WO 2007104037 A2 9/2007  
WO 2007131371 A1 11/2007  
WO 2009036962 A2 3/2009  
WO 2009036963 A2 3/2009  
WO 2010117442 A1 10/2010

\* cited by examiner

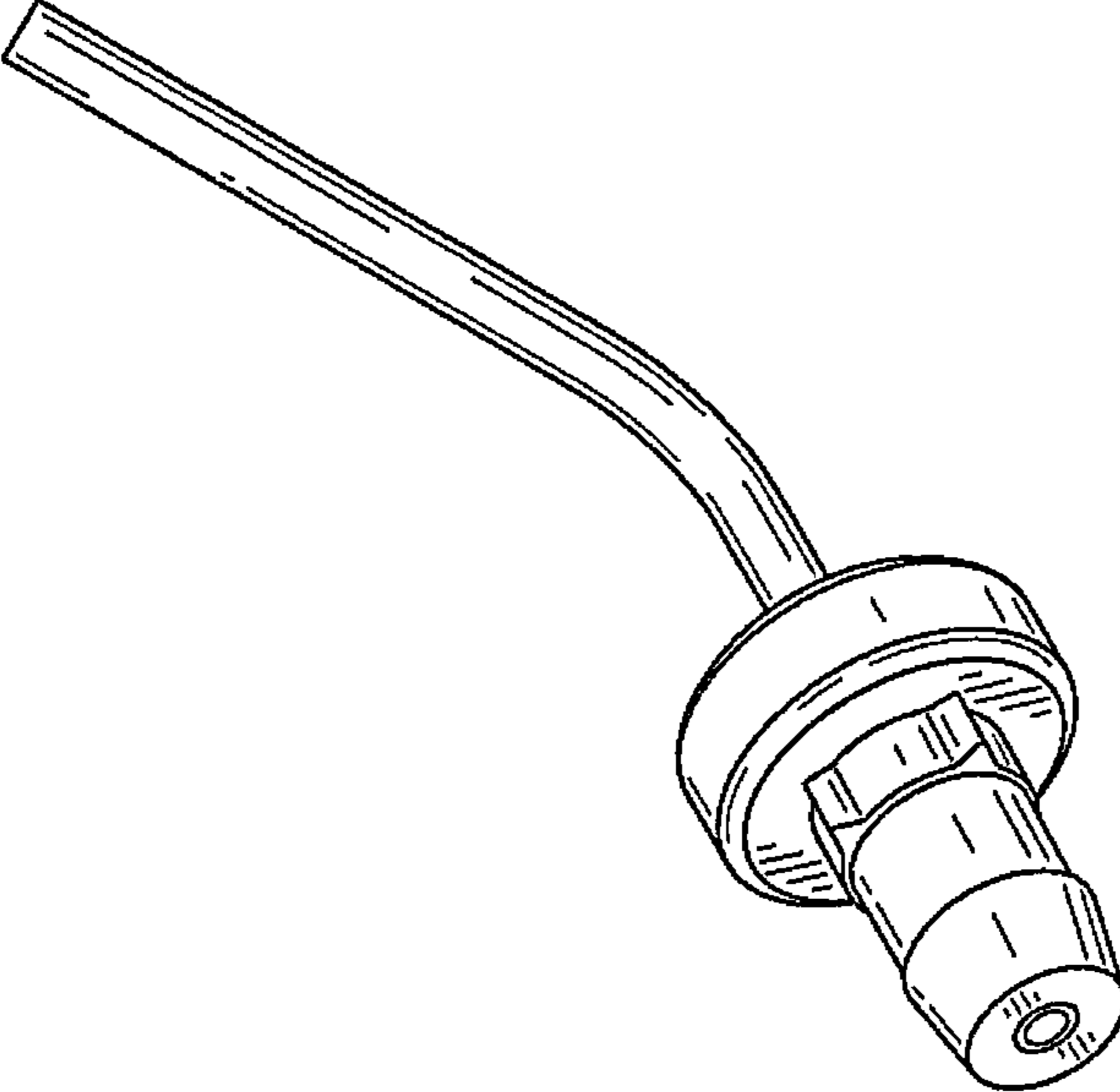


FIG. 1

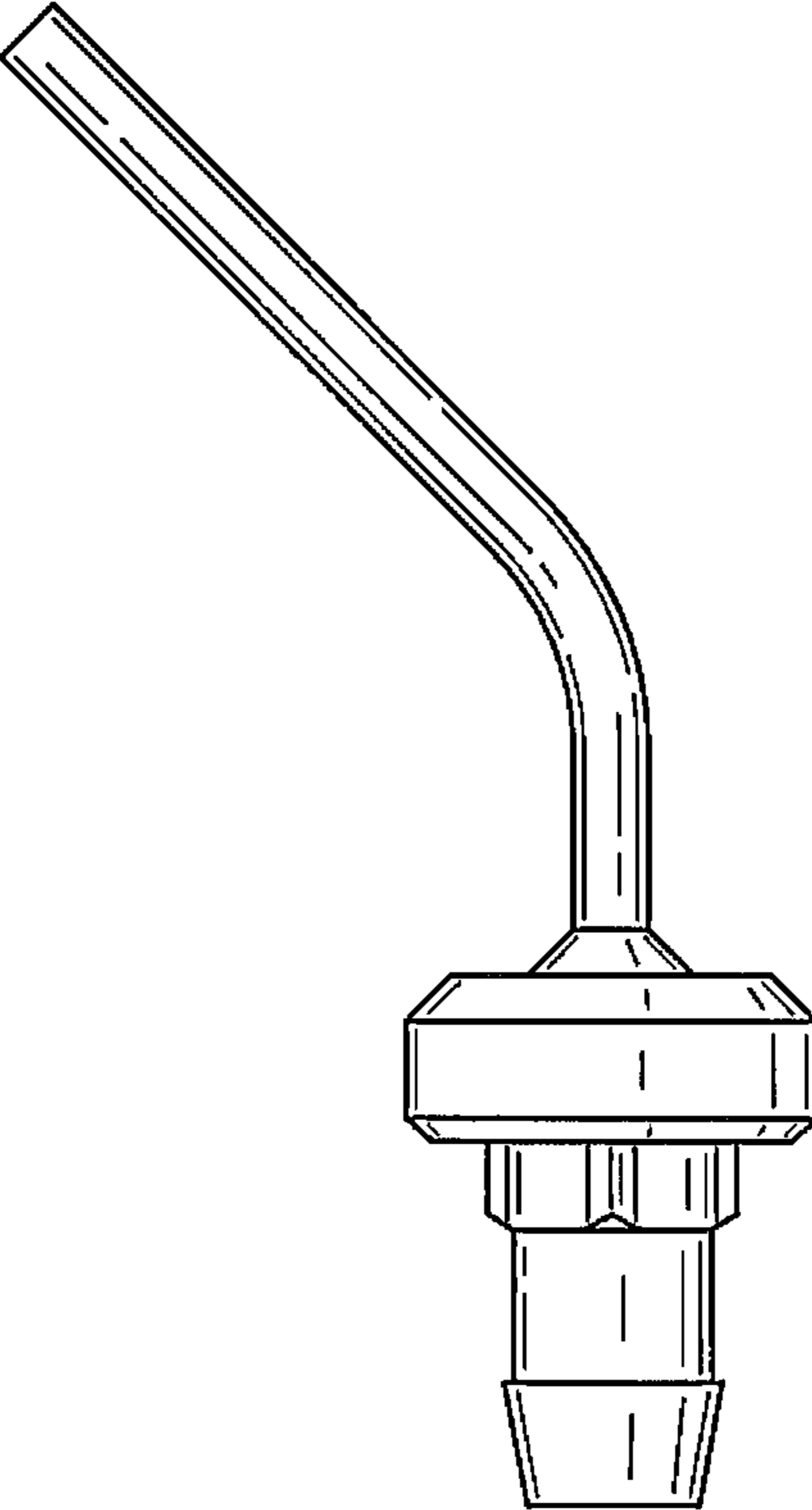


FIG. 2

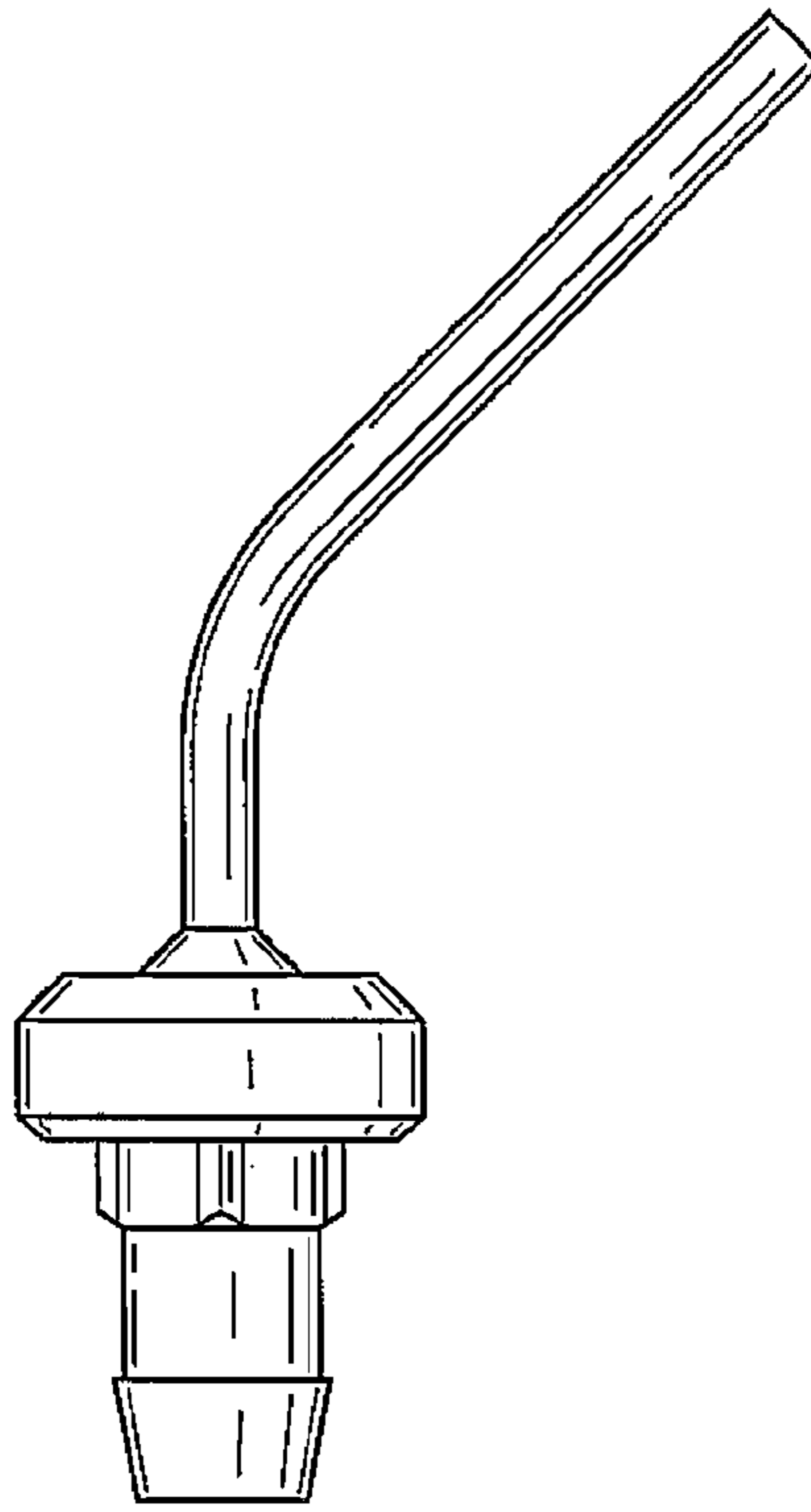


FIG. 3

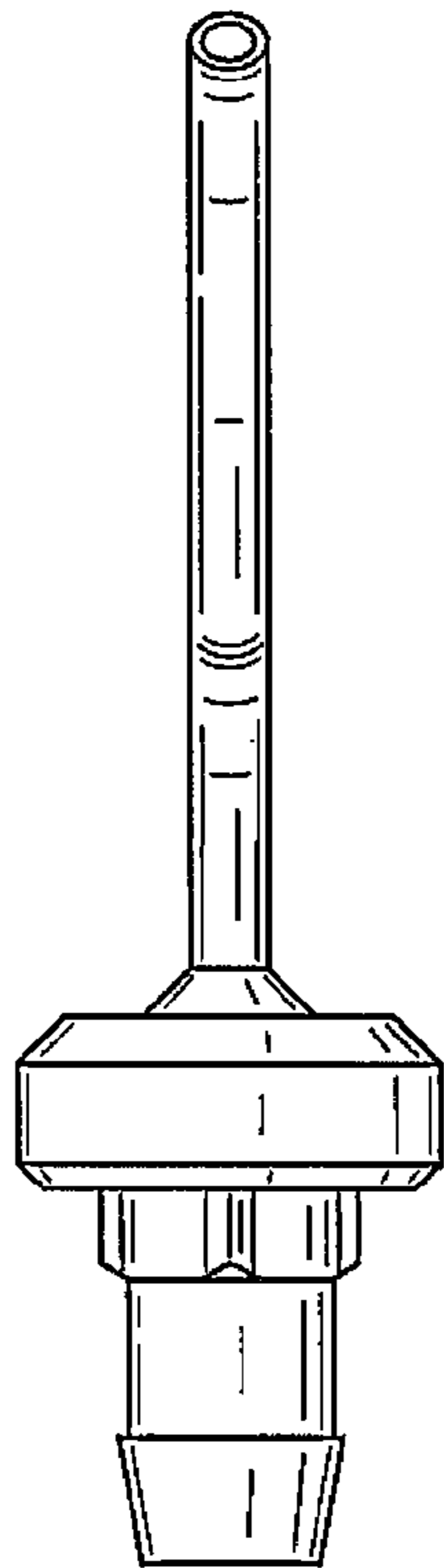


FIG. 4

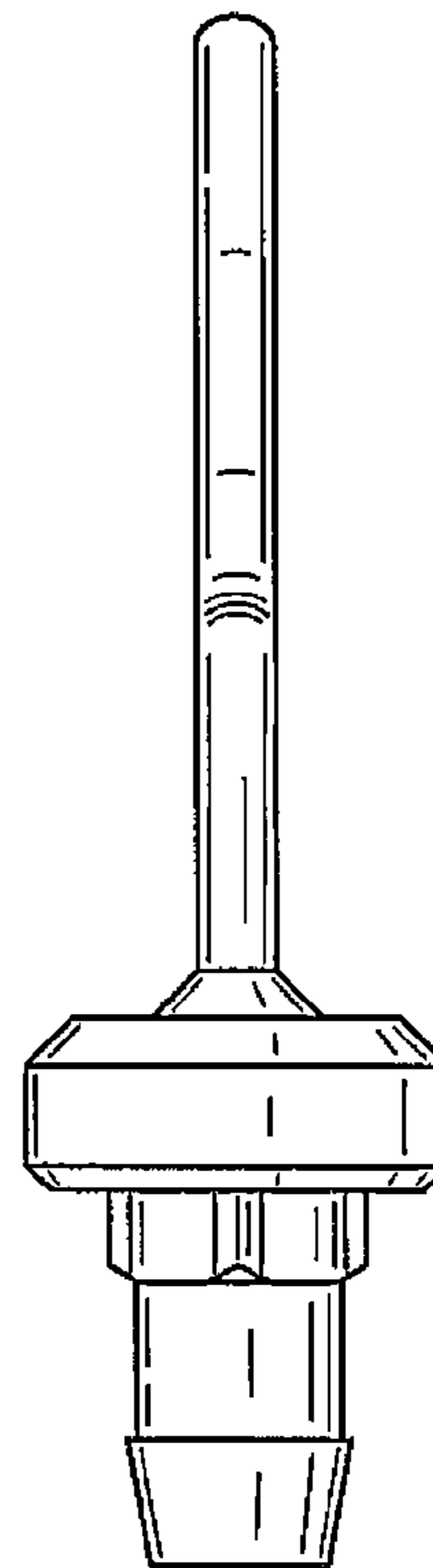


FIG. 5

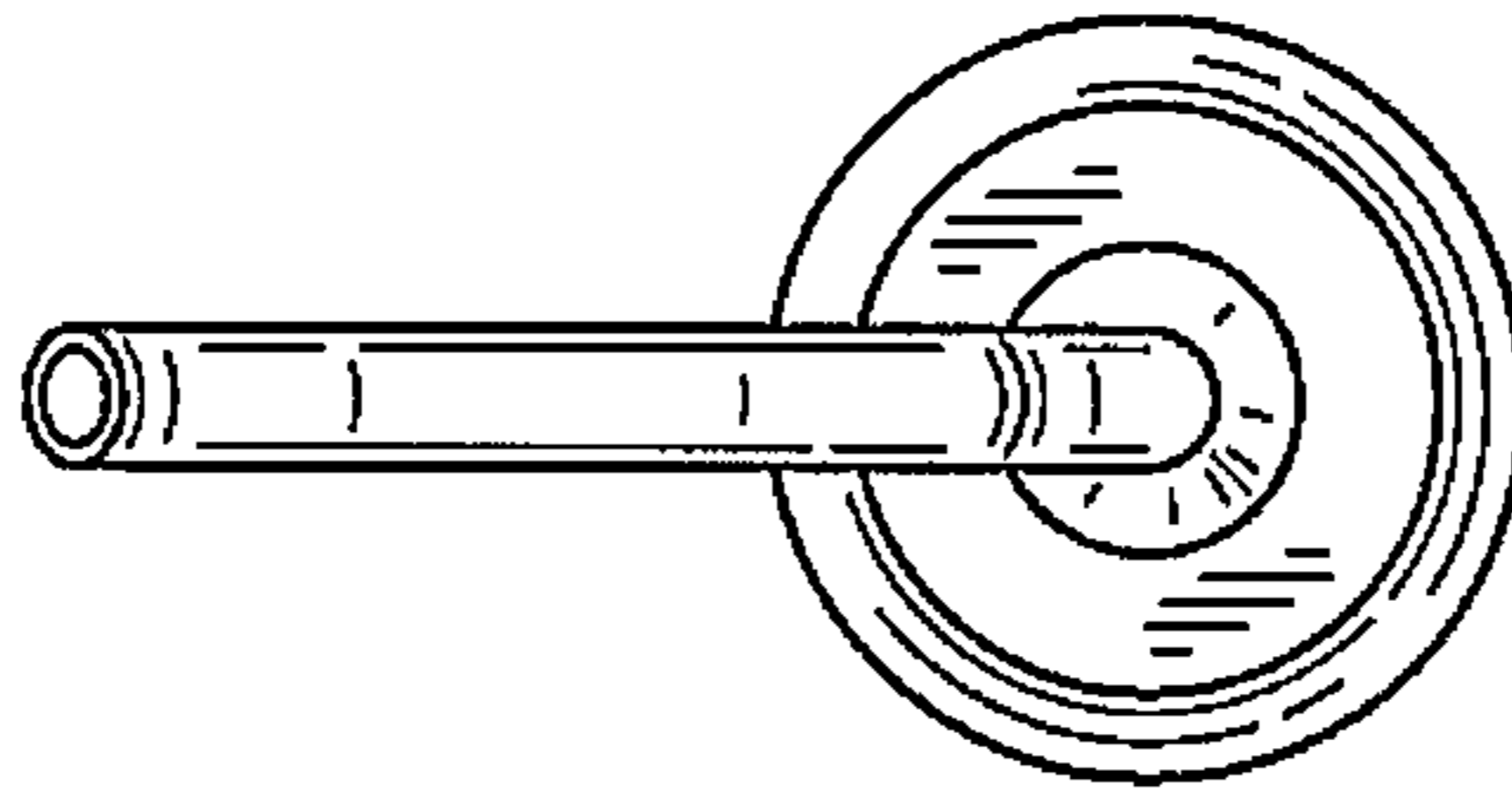


FIG. 6

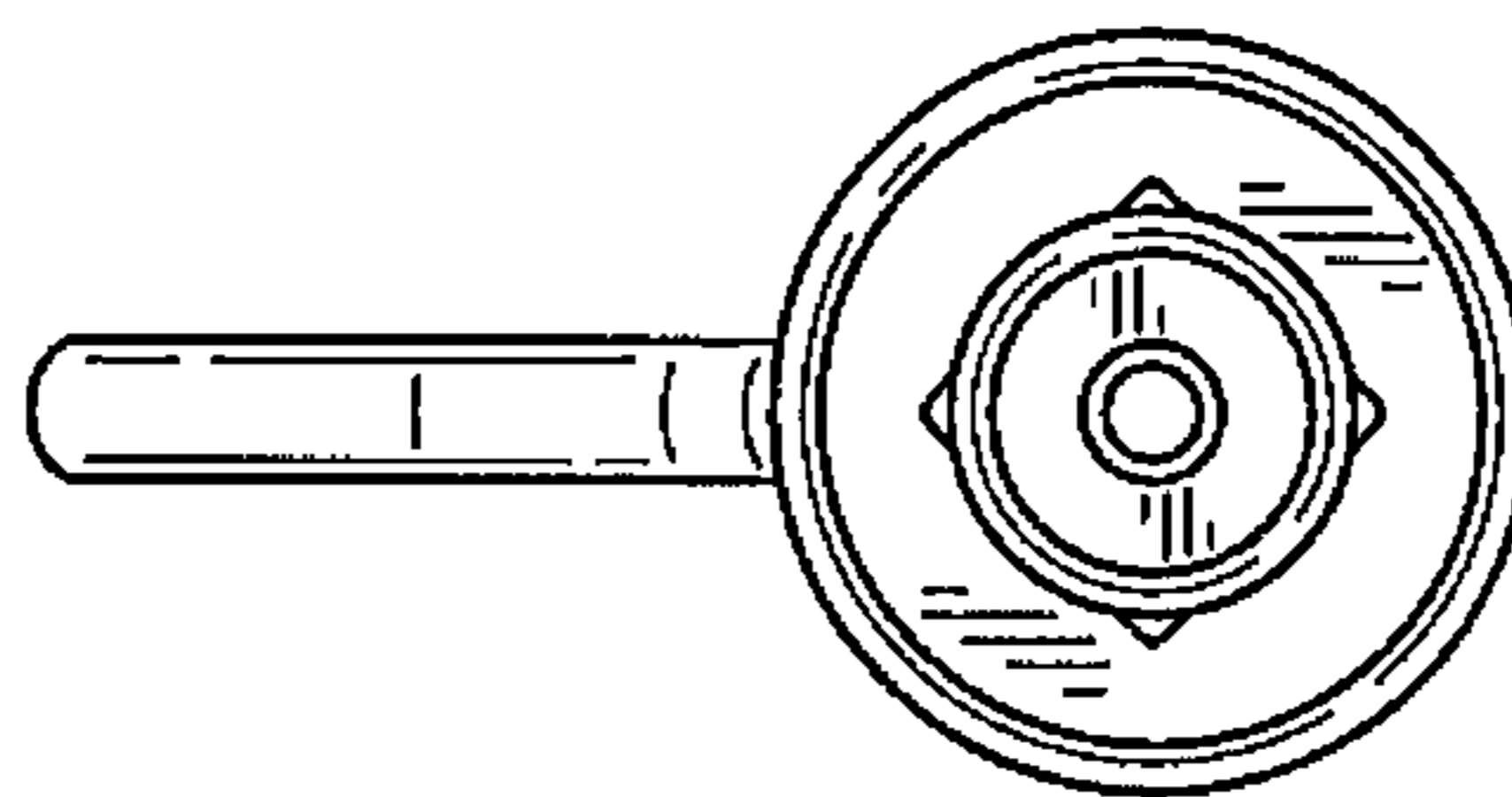


FIG. 7