



US00D728780S

(12) **United States Design Patent**  
**Pieroni et al.**(10) **Patent No.:** **US D728,780 S**(45) **Date of Patent:** **\*\* May 5, 2015**(54) **DENTAL MATERIAL DISPENSER TIP**(71) Applicant: **DENTSPLY International Inc.**, York,  
PA (US)(72) Inventors: **Robert J. Pieroni**, Milford, DE (US);  
**Andrew J. Coste**, Swarthmore, PA (US)(73) Assignee: **DENTSPLY International Inc.**, York,  
PA (US)(\*\*) Term: **14 Years**(21) Appl. No.: **29/470,437**(22) Filed: **Oct. 22, 2013****Related U.S. Application Data**(63) Continuation of application No. 29/468,509, filed on  
Oct. 1, 2013.(51) **LOC (10) Cl.** ..... **24-02**(52) **U.S. Cl.**USPC ..... **D24/112; D24/152**(58) **Field of Classification Search**USPC ..... D24/152, 156, 176-180; 433/80-83,  
433/31, 87, 90, 126

See application file for complete search history.

(56) **References Cited****U.S. PATENT DOCUMENTS**

3,738,006	A *	6/1973	Lopez et al.	433/90
4,255,140	A	3/1981	Marshall	
4,468,202	A	8/1984	Cohen	
4,531,914	A	7/1985	Spinello	
4,995,540	A *	2/1991	Colin et al.	433/90
D315,956	S *	4/1991	Dragan	D24/112
D334,803	S *	4/1993	Discko, Jr.	D24/112
5,661,222	A	8/1997	Hare	
5,863,965	A	1/1999	Hare	
6,079,979	A *	6/2000	Riitano	433/81
6,135,771	A *	10/2000	Dragan et al.	433/90
6,170,714	B1	1/2001	Lesage	

6,182,867	B1	2/2001	Keller	
7,195,483	B2	3/2007	Dragan	
8,016,161	B2	9/2011	Pierson et al.	
8,469,707	B2 *	6/2013	Emde	433/80
8,616,879	B2 *	12/2013	Dubey et al.	433/80
2007/0015106	A1 *	1/2007	Bertl et al.	433/80
2007/0184410	A1	8/2007	Boghossian	
2007/0264315	A1	11/2007	Fournie et al.	

(Continued)

**FOREIGN PATENT DOCUMENTS**

EP	0820265	B1	6/2005
EP	2230025	A1	9/2010

(Continued)

**OTHER PUBLICATIONS**International Search Report, Application 2012/043716, Published  
Jun. 22, 2012.International Written Opinion, Application 2012/043716, Published  
Jun. 22, 2012.

(Continued)

*Primary Examiner* — Wan Laymon(74) *Attorney, Agent, or Firm* — Leana Levin; Douglas J  
Hura; David A Zdurne(57) **CLAIM**The ornamental design for a dental material dispenser tip, as  
shown and described.**DESCRIPTION**FIG. 1 is an isometric view of a dental material dispenser tip  
showing our new design;

FIG. 2 is a first side view thereof;

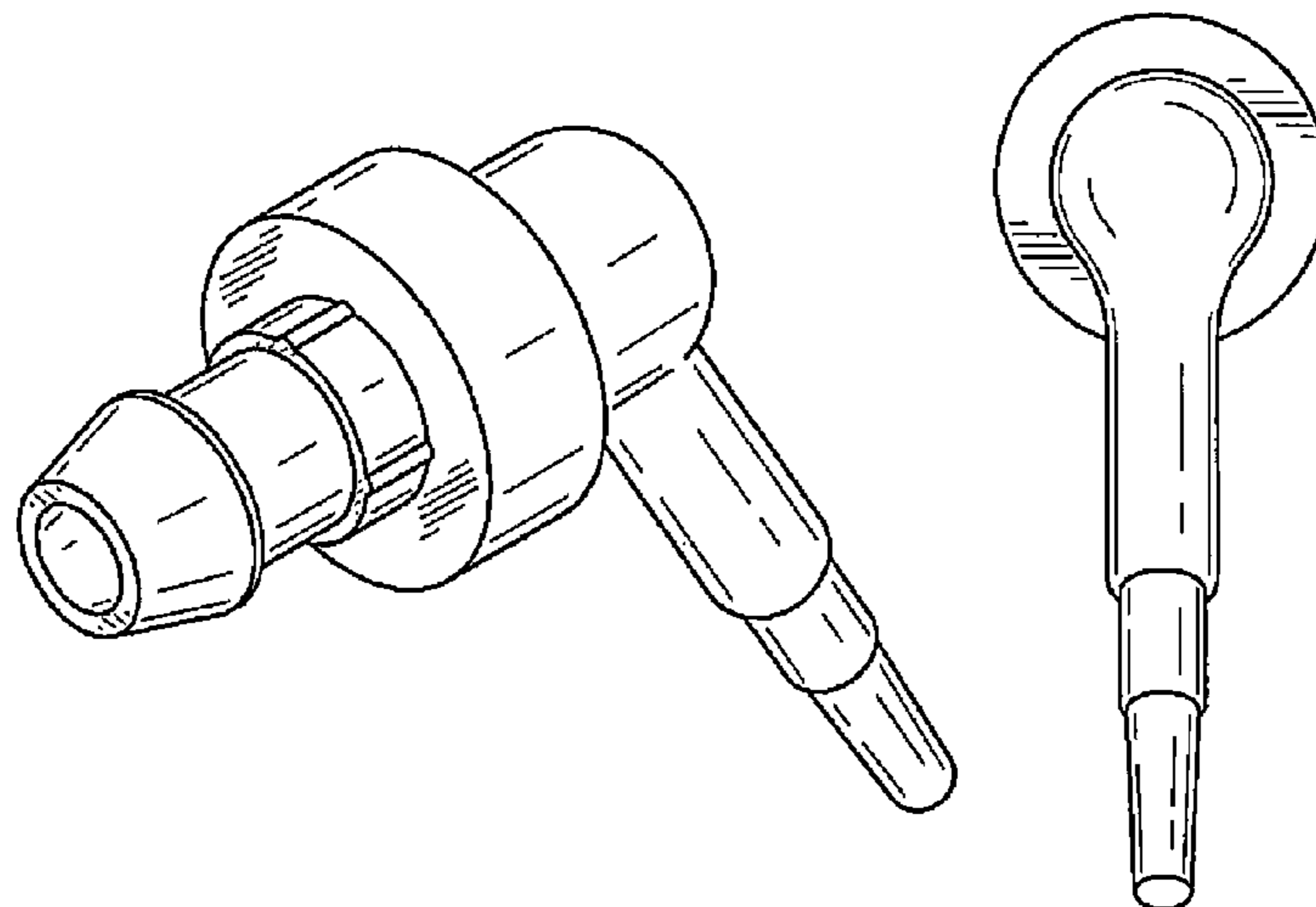
FIG. 3 is a second side view thereof;

FIG. 4 is a rear view thereof;

FIG. 5 is a front view thereof;

FIG. 6 is a top view thereof; and,

FIG. 7 is a bottom view thereof.

**1 Claim, 3 Drawing Sheets**

(56)

**References Cited**

**FOREIGN PATENT DOCUMENTS**

**U.S. PATENT DOCUMENTS**

2008/0041879 A1 2/2008 Pierson et al.  
2008/0220050 A1 9/2008 Chen et al.  
2009/0042162 A1\* 2/2009 Pond ..... 433/80  
2010/0248190 A1 9/2010 Chen et al.  
2010/0285485 A1 11/2010 Jung et al.  
2011/0151403 A1 6/2011 Pauser et al.  
2011/0223556 A1 9/2011 Abel  
2012/0329006 A1\* 12/2012 Pierson et al. .... 433/90

GB 2142245 A 1/1985  
WO 1990009151 A1 8/1990  
WO 2007104037 A2 9/2007  
WO 2007131371 A1 11/2007  
WO 2009036962 A2 3/2009  
WO 2009036963 A2 3/2009  
WO 2010117442 A1 10/2010

\* cited by examiner

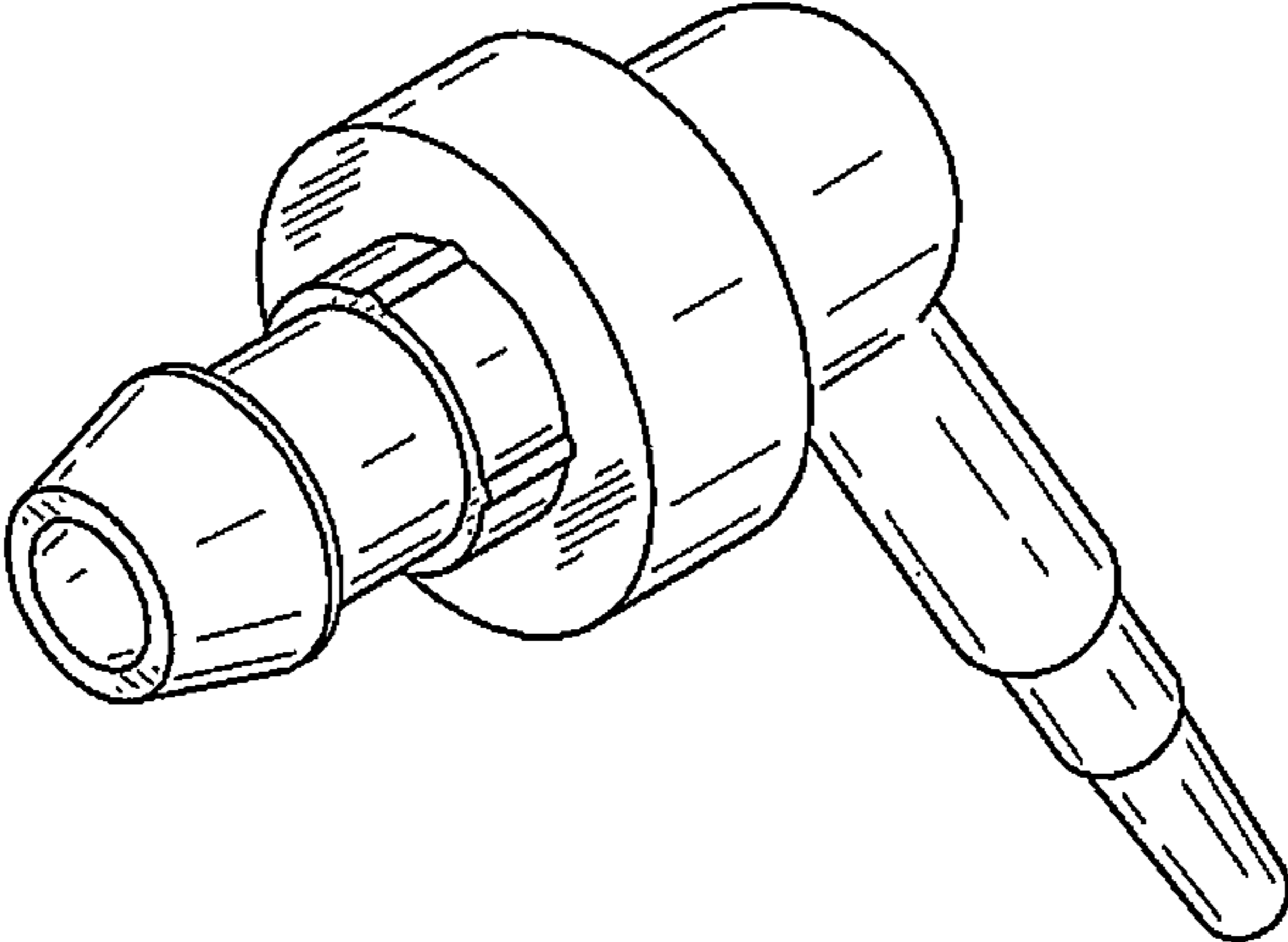


FIG. 1

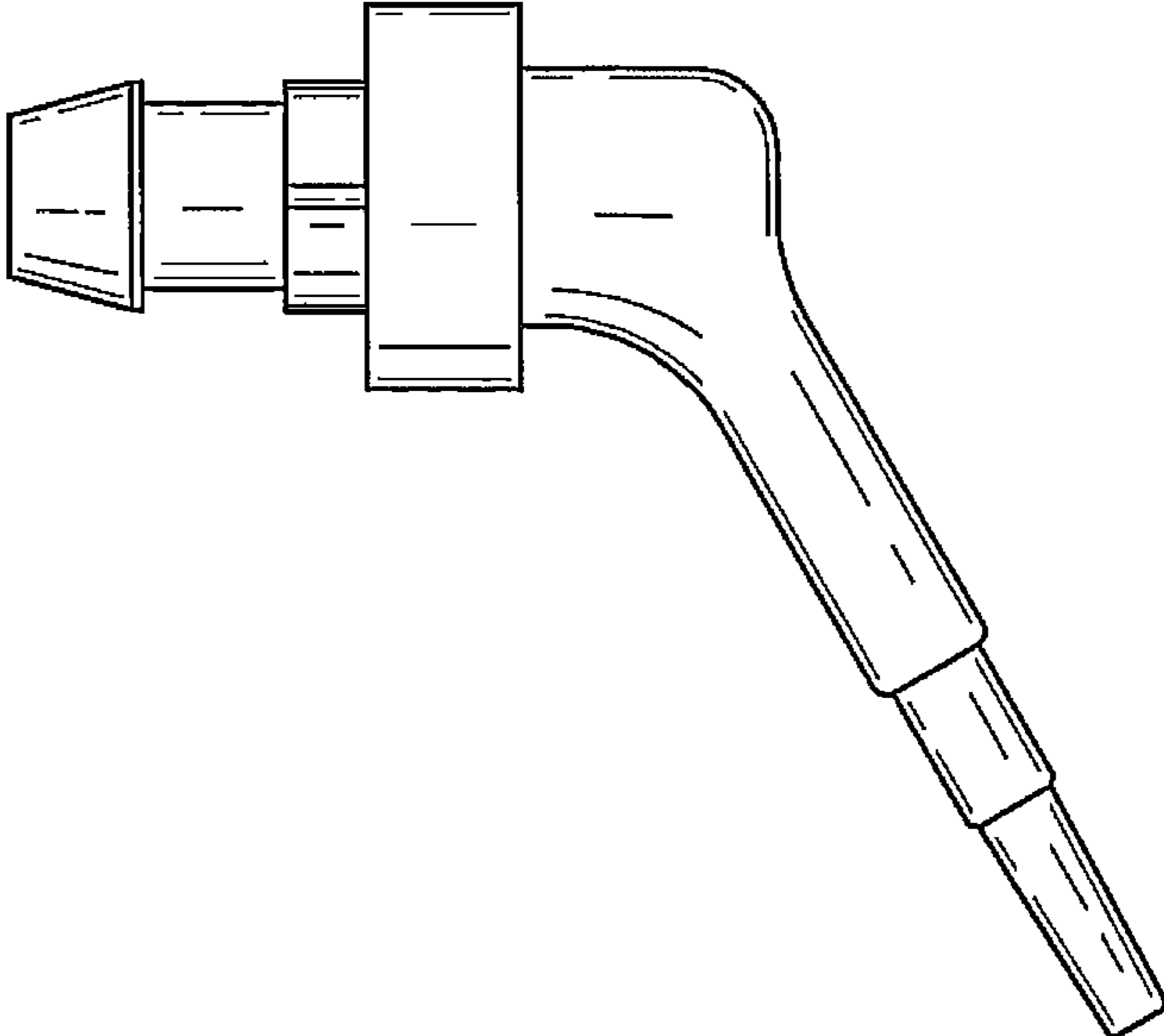


FIG. 2

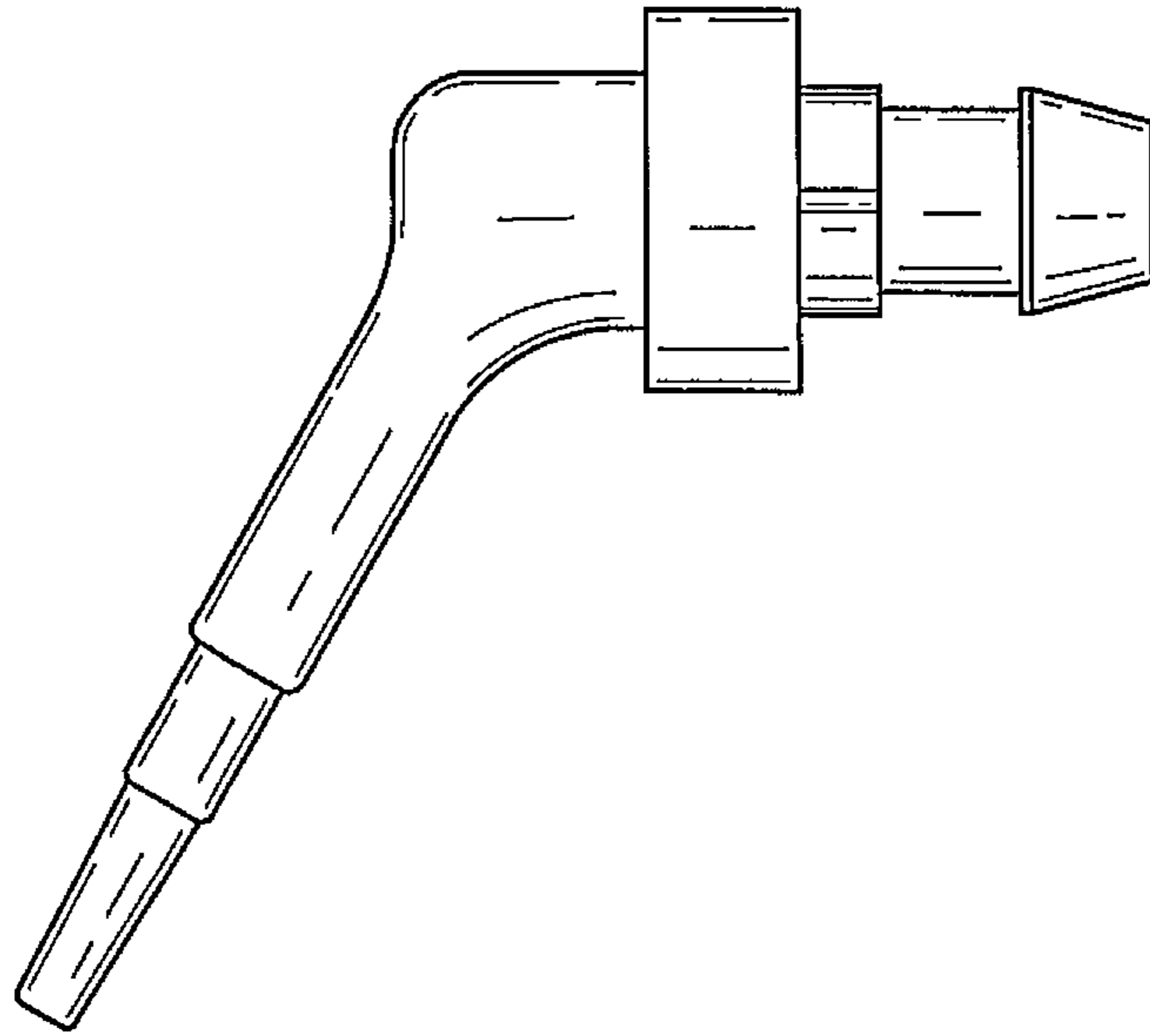


FIG. 3

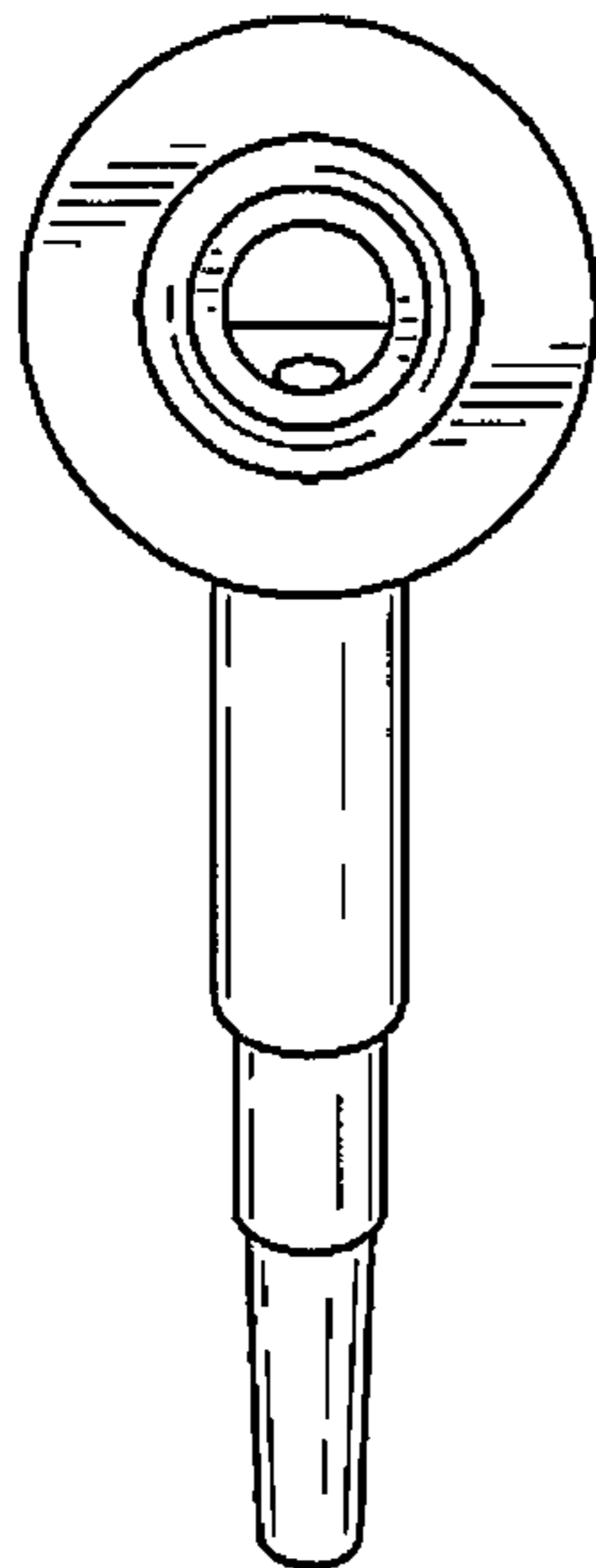


FIG. 4

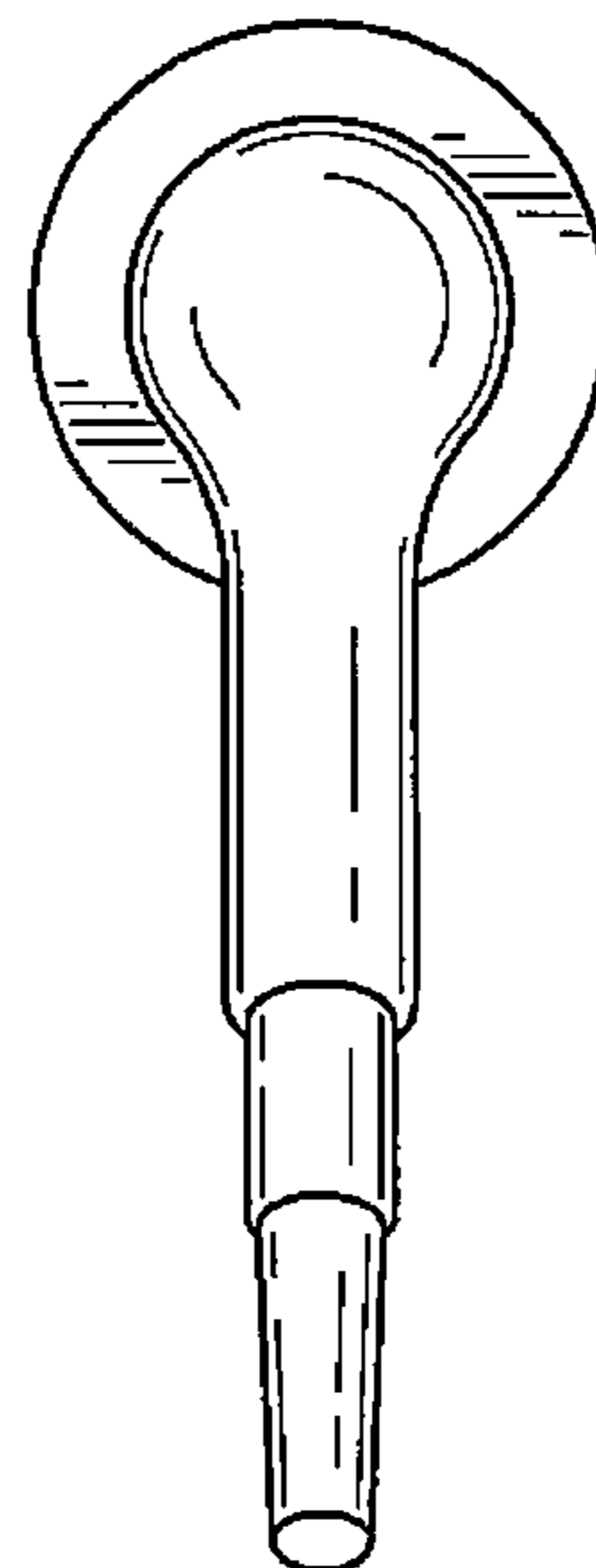


FIG. 5

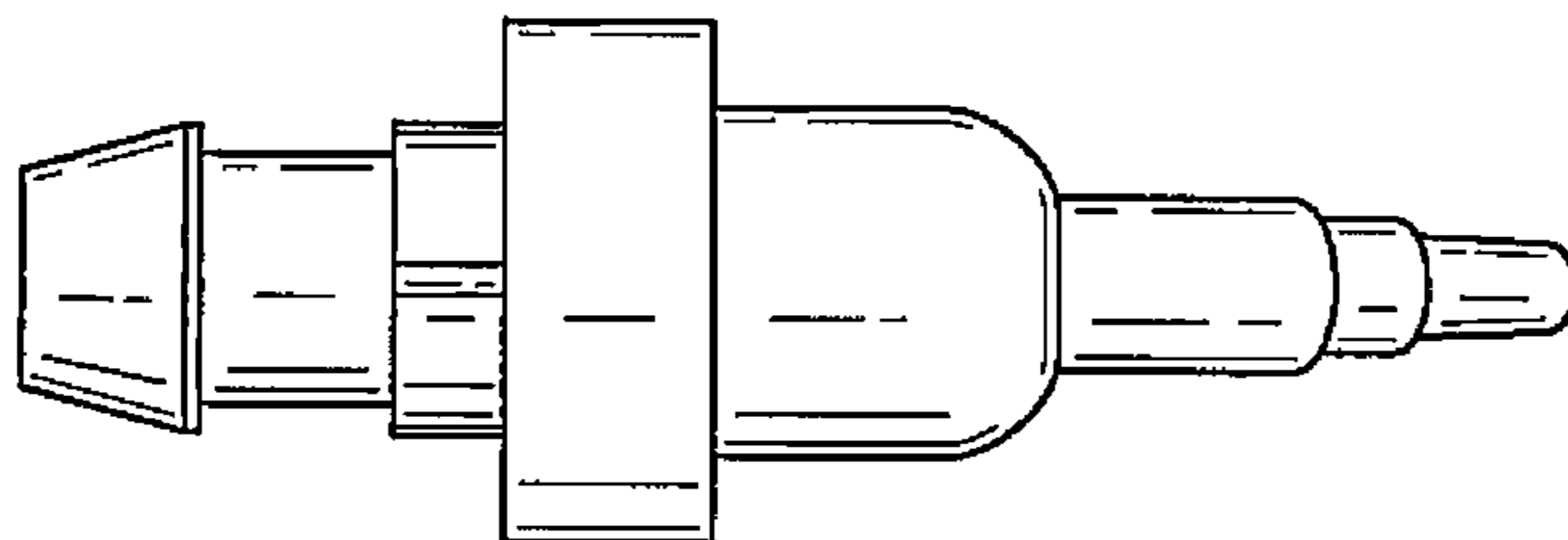


FIG. 6

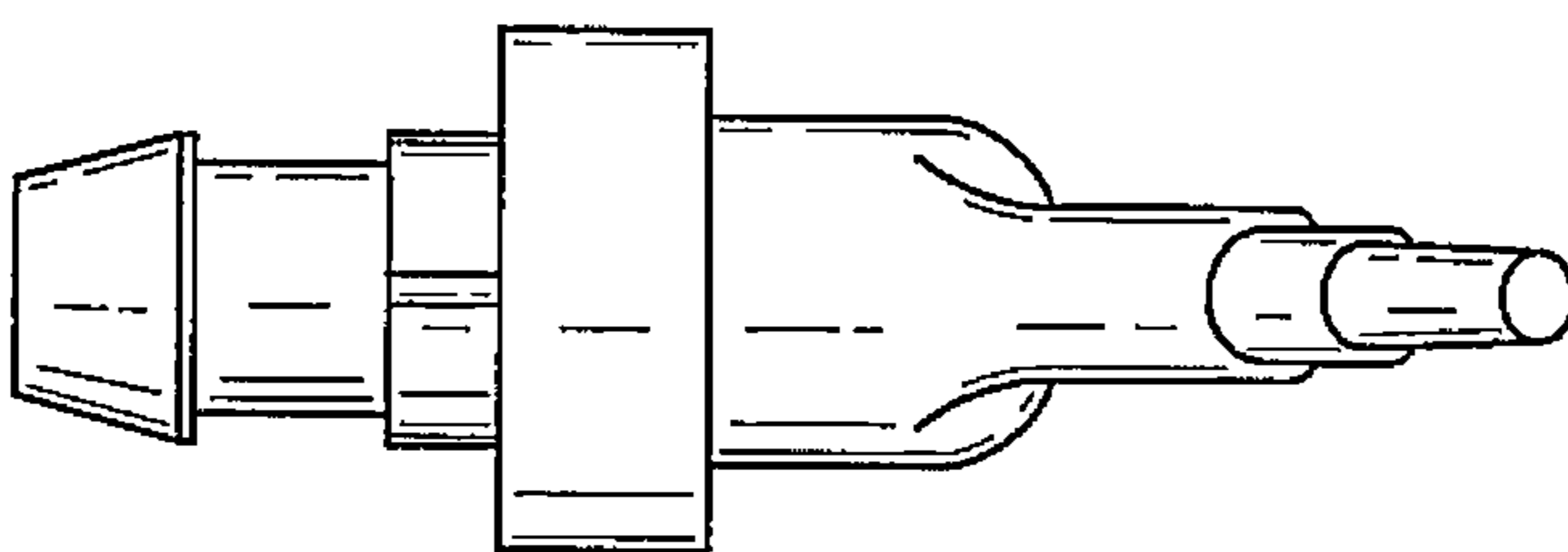


FIG. 7