



US00D728779S

(12) **United States Design Patent**
Sabin et al.

(10) **Patent No.:** **US D728,779 S**

(45) **Date of Patent:** **** May 5, 2015**

(54) **BUMPER OF A MEDICAL PUMP**

Primary Examiner — Wan Laymon

Assistant Examiner — Mark Booker

(74) *Attorney, Agent, or Firm* — James D. Wyninegar, Jr.

(71) Applicant: **DEKA Products Limited Partnership**,
Manchester, NH (US)

(57) **CLAIM**

The ornamental design for a bumper of a medical pump, as shown and described.

(72) Inventors: **Erik N. Sabin**, Goffstown, NH (US);
Larry B. Gray, Merrimack, NH (US)

DESCRIPTION

(73) Assignee: **DEKA Products Limited Partnership**,
Manchester, NH (US)

FIG. 1 is a front, top, and right side perspective view of the bumper of a medical pump, showing my new design; FIG. 2 is a rear, top and right side perspective view thereof; FIG. 3 is a top plan view thereof; FIG. 4 is a bottom plan view thereof; FIG. 5 is a front side elevational view thereof; FIG. 6 is a rear side elevational view thereof; FIG. 7 is a right side elevational view thereof; FIG. 8 is a left side elevational view thereof; FIG. 9 is a front, top, and right side perspective view of a second embodiment of the bumper of a medical pump, with the door of the medical pump in a closed position; FIG. 10 is a rear, top and right side perspective view thereof, with the door of the medical pump in a closed position; FIG. 11 is a top plan view thereof, with the door of the medical pump in a closed position; FIG. 12 is a bottom plan view thereof, with the door of the medical pump in a closed position; FIG. 13 is a front side elevational view thereof, with the door of the medical pump in a closed position; FIG. 14 is a rear side elevational view thereof, with the door of the medical pump in a closed position; FIG. 15 is a right side elevational view thereof, with the door of the medical pump in a closed position; FIG. 16 is a left side elevational view thereof, with the door of the medical pump in a closed position; and, FIG. 17 is a front, top, and right side perspective view of the second embodiment of the bumper of a medical pump with the door of the medical pump in an open position and an infusion tube loaded into the door. The broken lines shown in the figures represent portions of article that form no part of the claimed design.

(**) Term: **14 Years**

(21) Appl. No.: **29/457,516**

(22) Filed: **Jun. 11, 2013**

(51) **LOC (10) Cl.** **24-02**

(52) **U.S. Cl.**
USPC **D24/111**

(58) **Field of Classification Search**
USPC D24/111, 107, 108, 169; 604/9, 143,
604/151, 154, 218, 246, 256; D15/7, 9;
D9/526, 529, 668
See application file for complete search history.

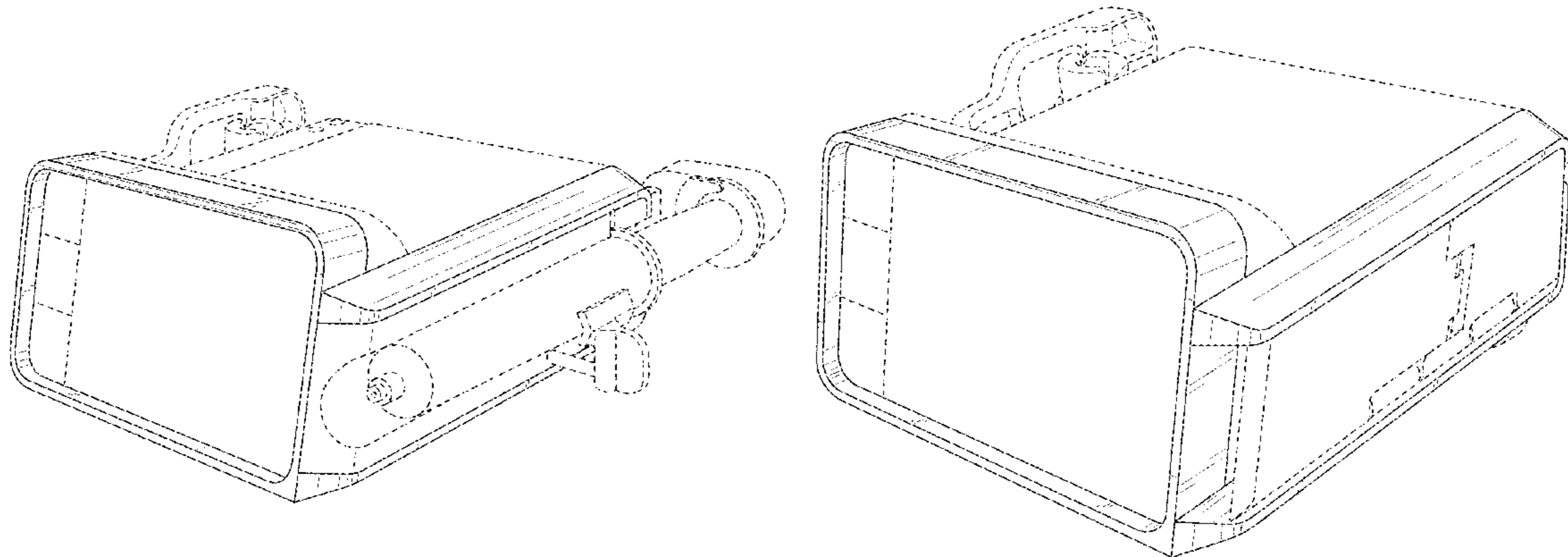
(56) **References Cited**

U.S. PATENT DOCUMENTS

D475,134 S *	5/2003	Randolph	D24/111
D640,376 S *	6/2011	Amano et al.	D24/138
D640,377 S *	6/2011	Amano et al.	D24/138
D669,165 S *	10/2012	Estes et al.	D24/111
D675,727 S *	2/2013	Collins et al.	D24/107
D689,195 S *	9/2013	Nelsen	D24/232
D691,259 S *	10/2013	Estes et al.	D24/111
2012/0177507 A1 *	7/2012	Bennett et al.	417/53

* cited by examiner

1 Claim, 13 Drawing Sheets



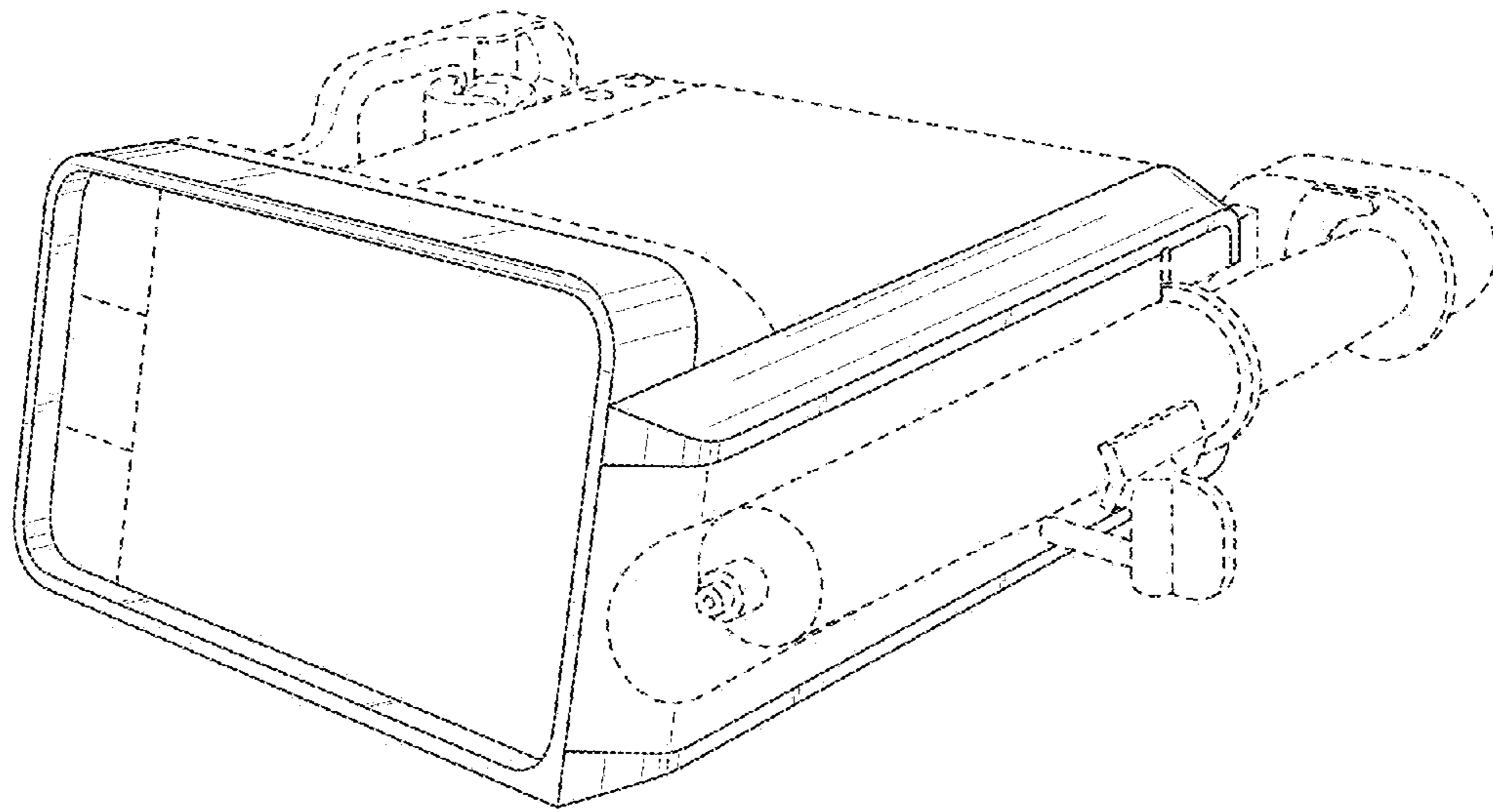


FIG. 1

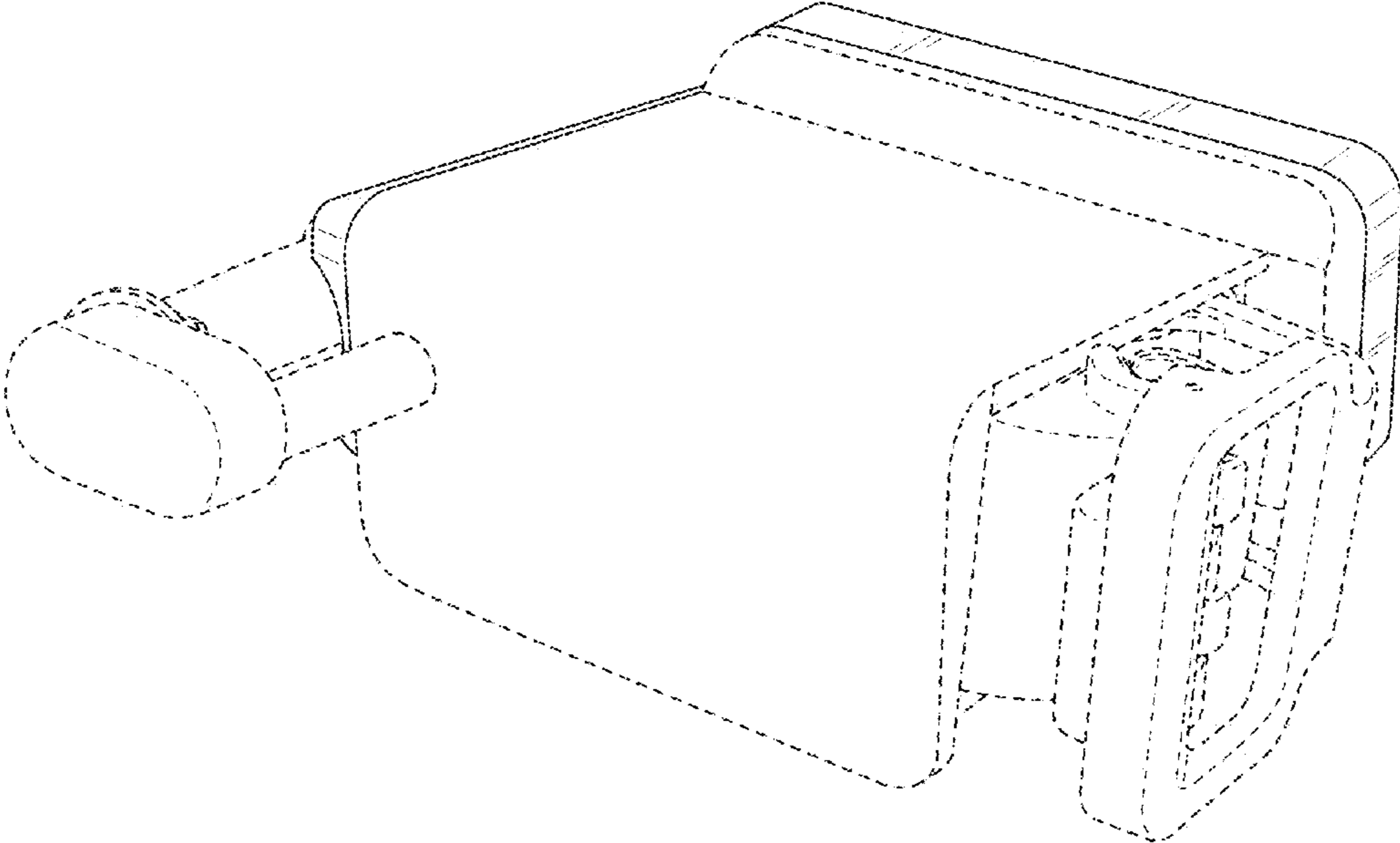


FIG. 2

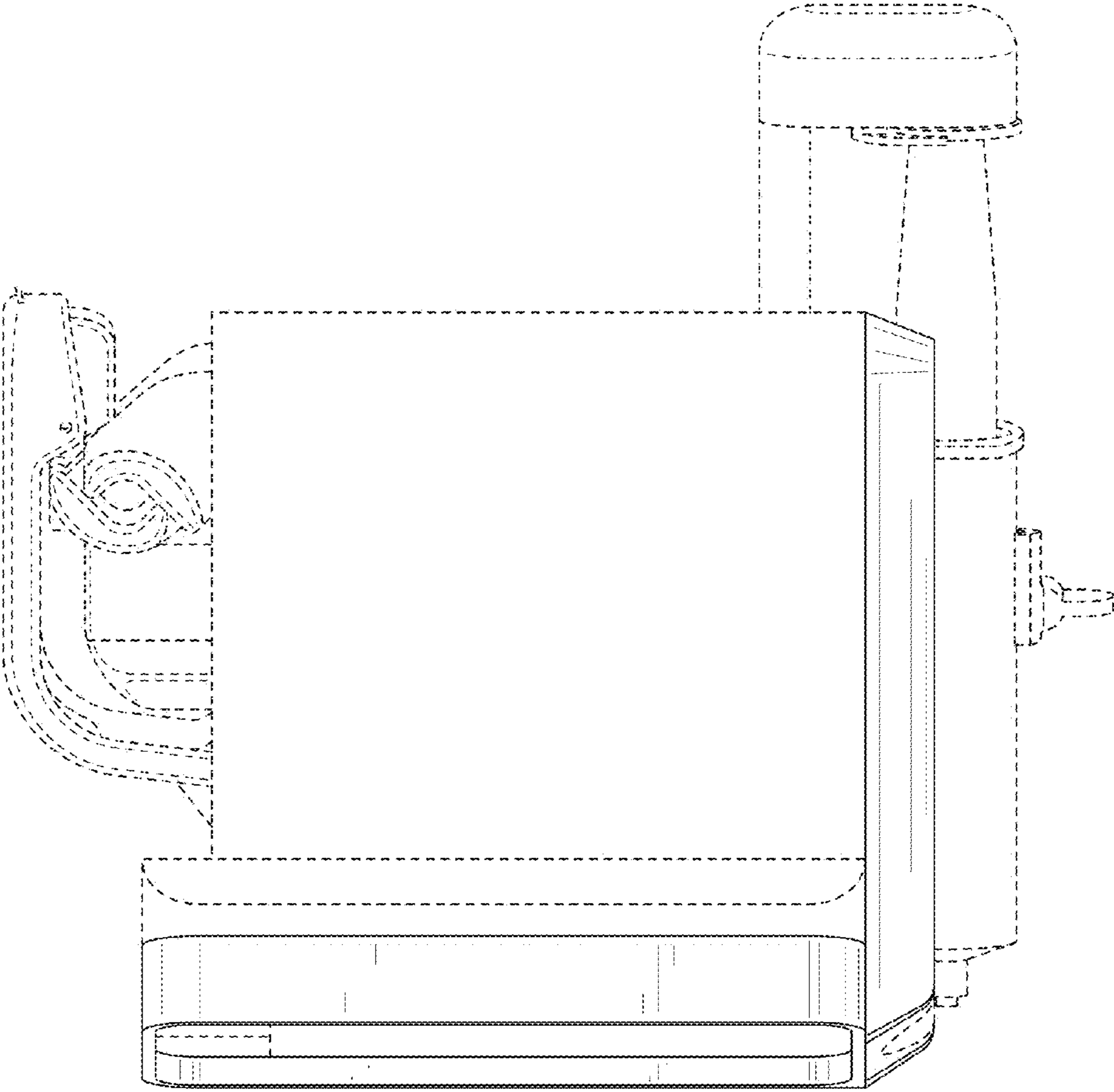


FIG. 3

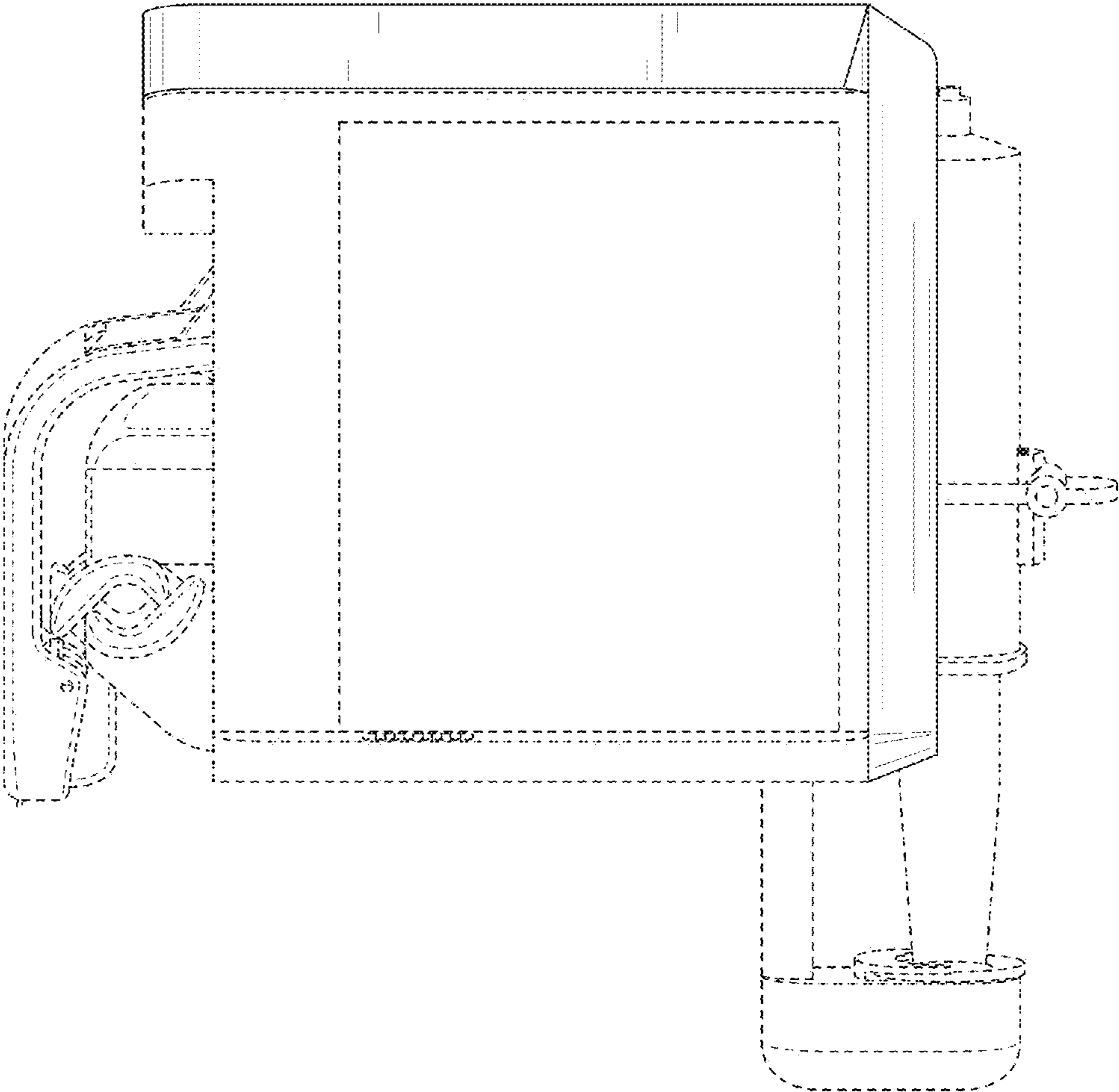


FIG. 4

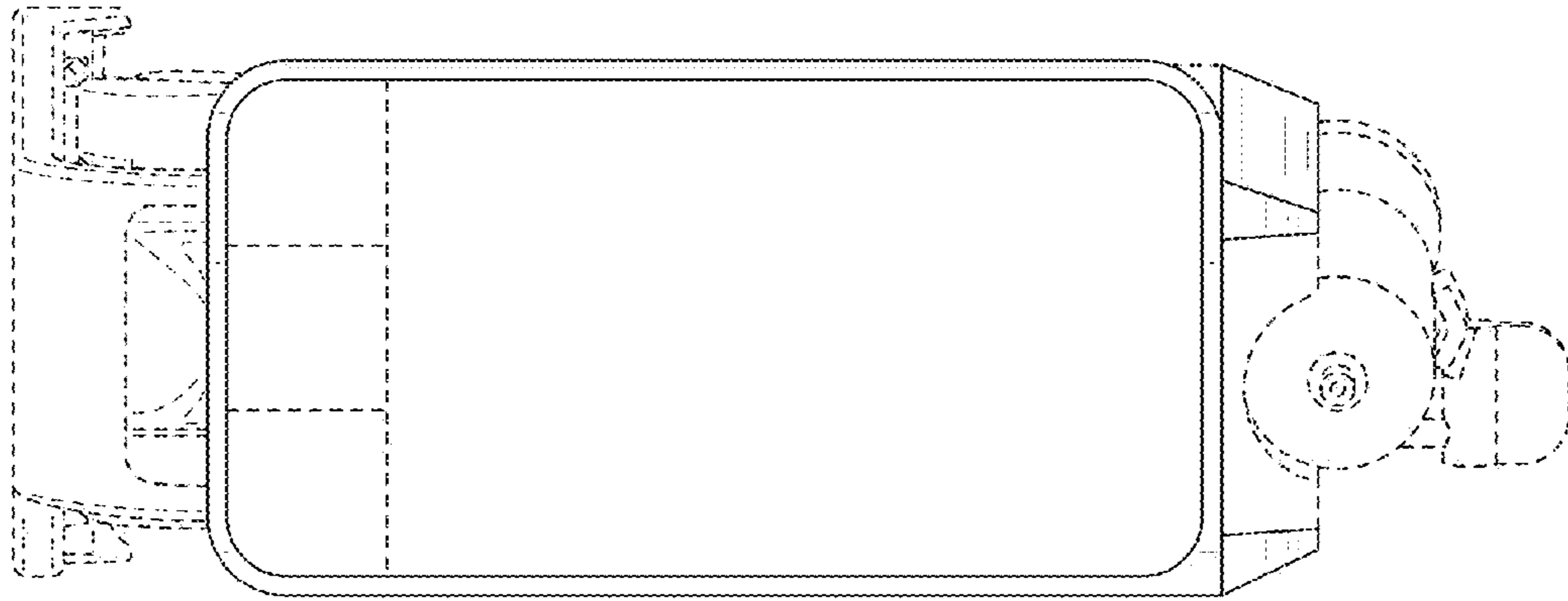


FIG. 5

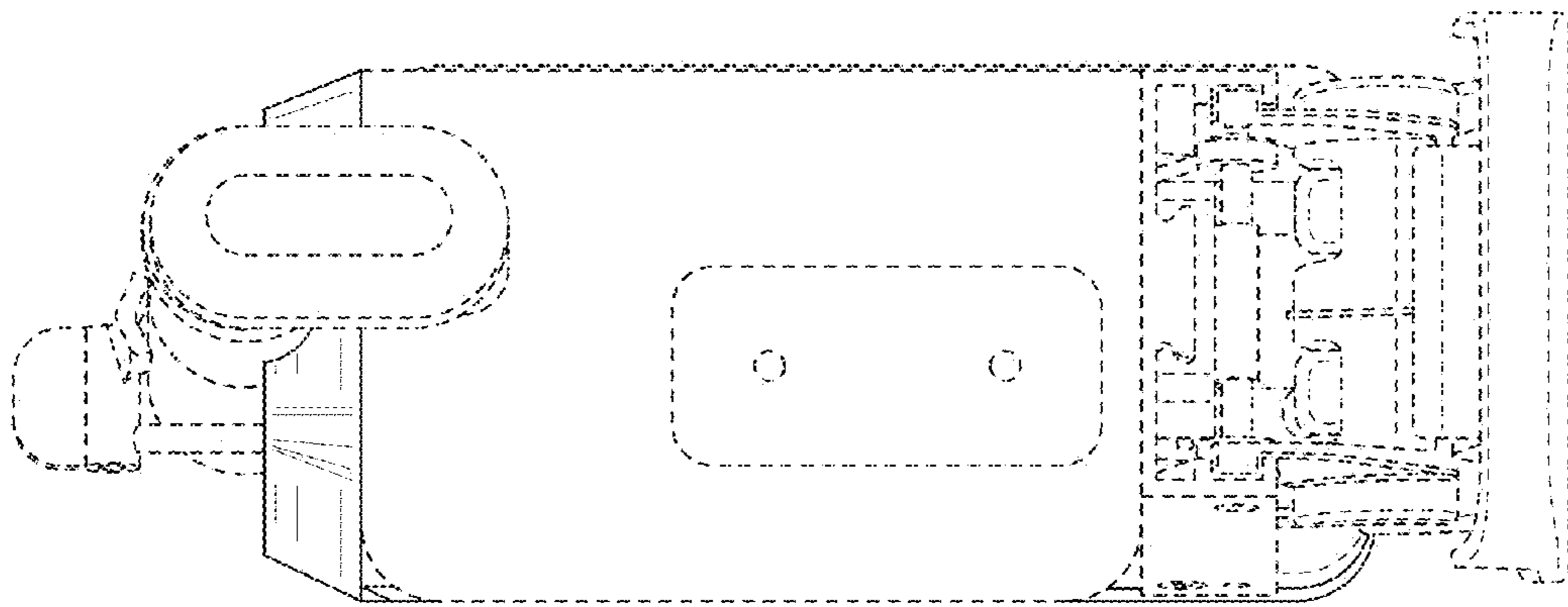


FIG. 6

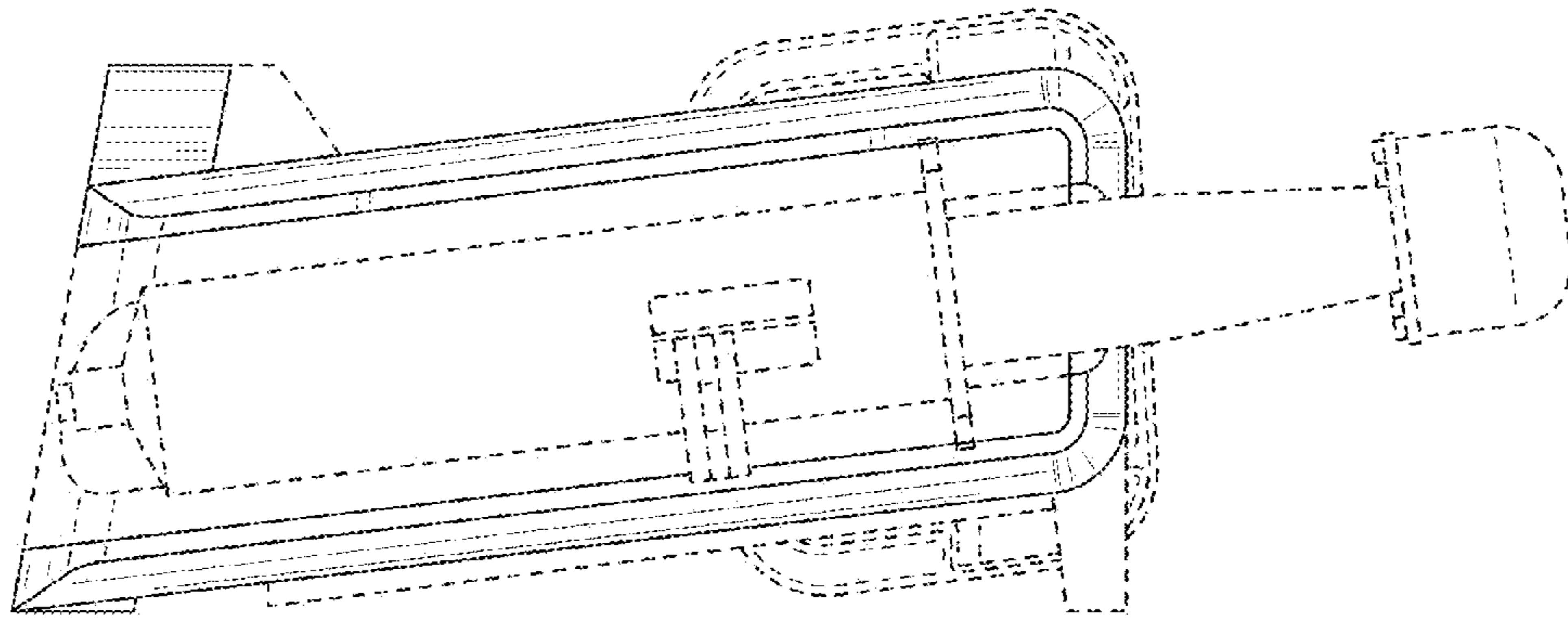


FIG. 7

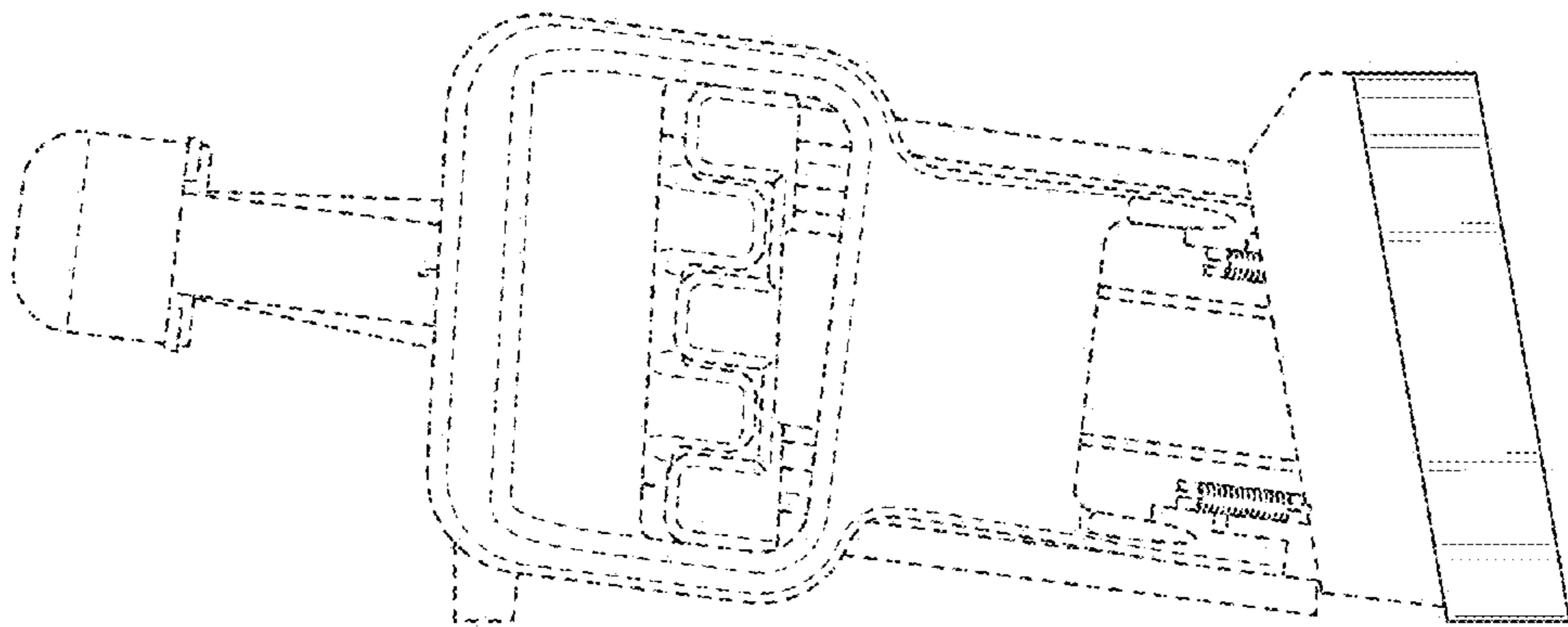


FIG. 8

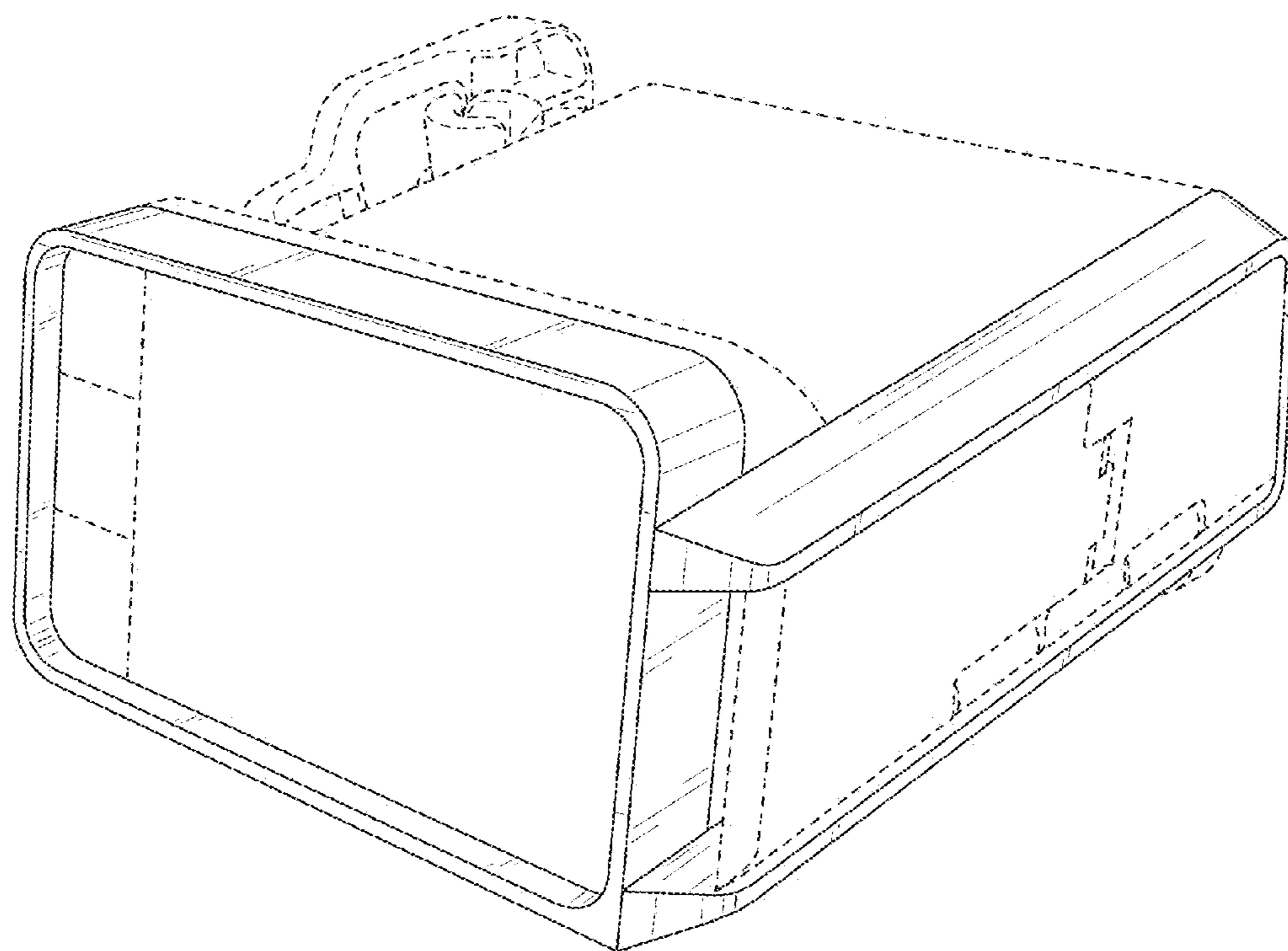


FIG. 9

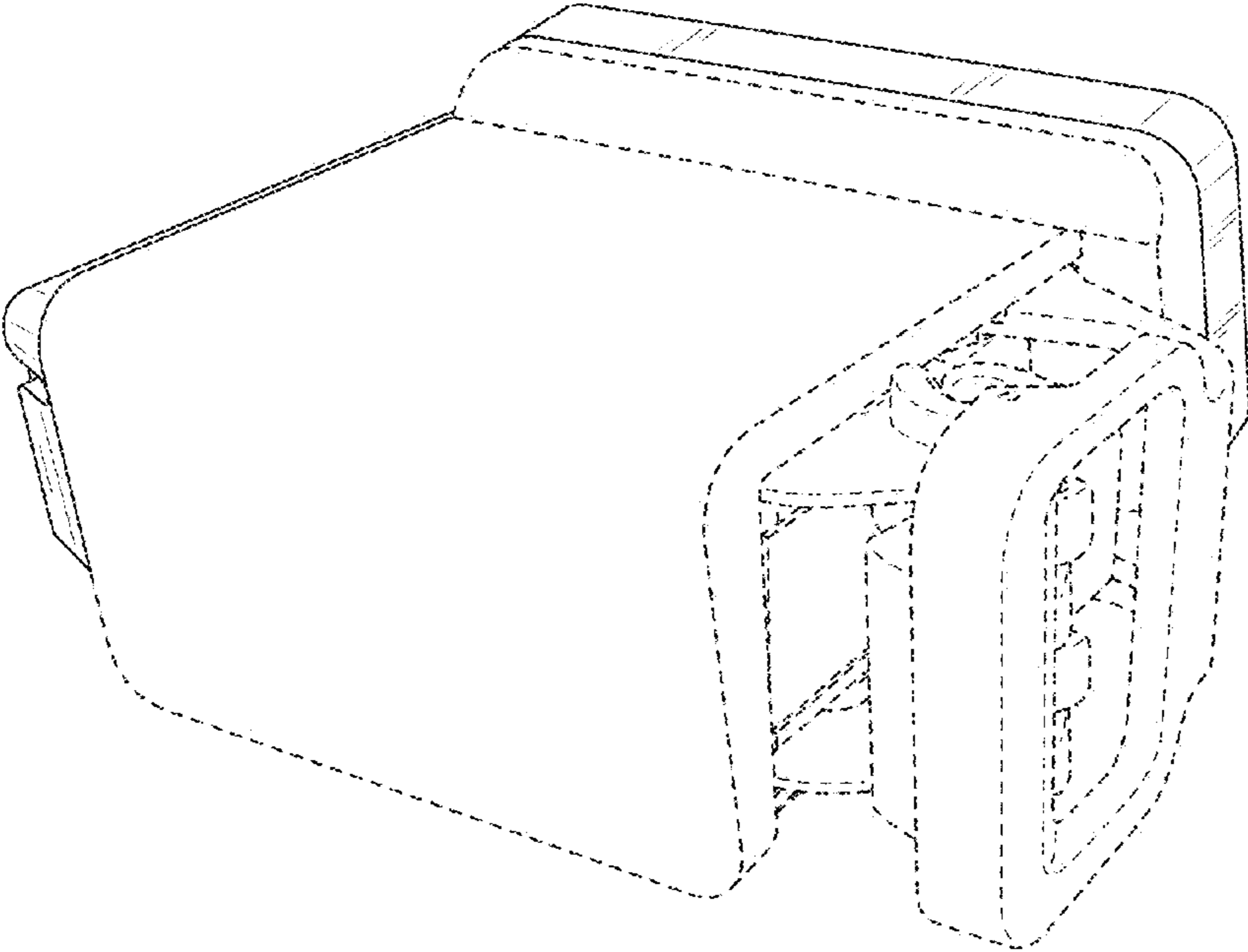


FIG. 10

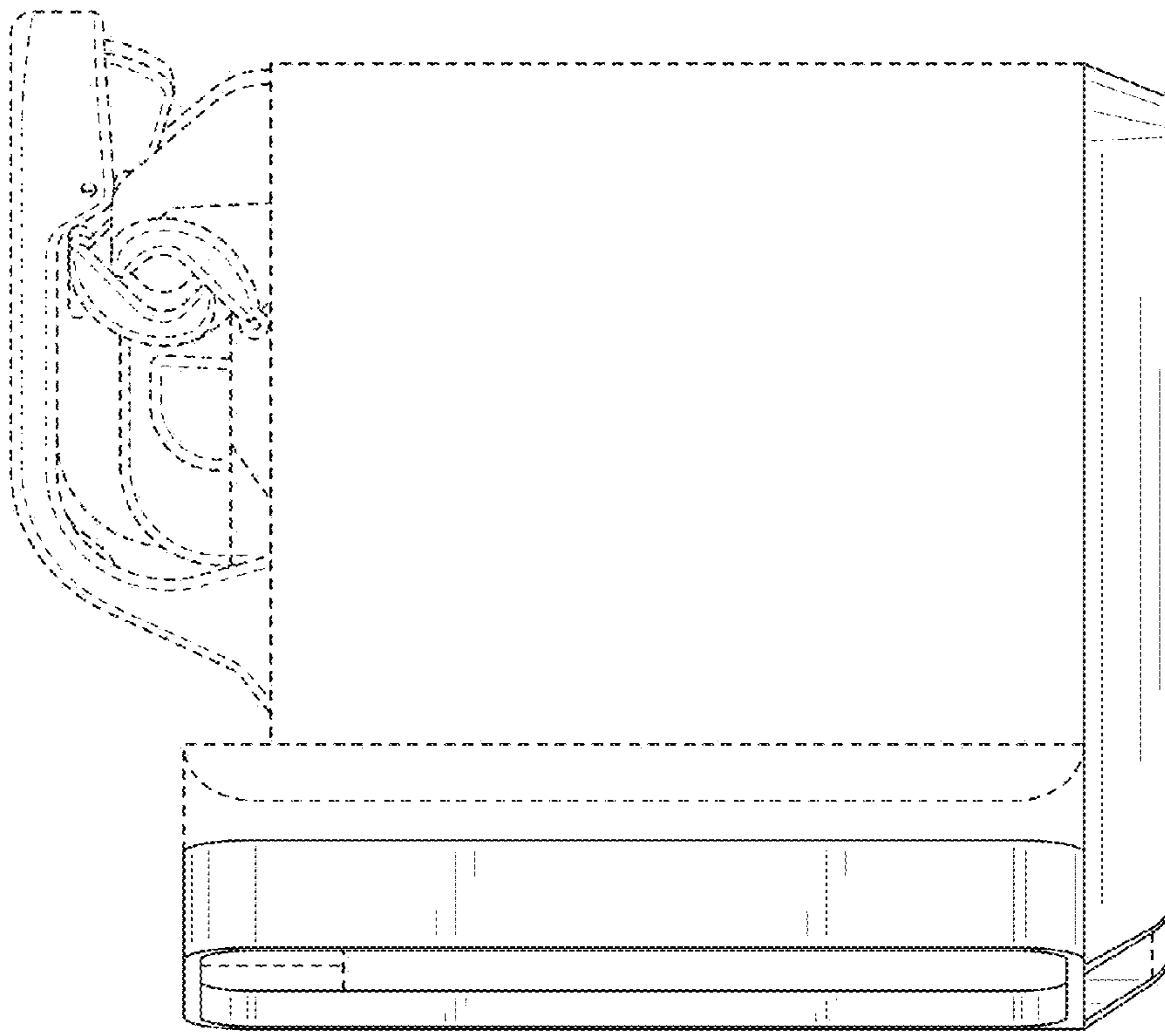


FIG. 11

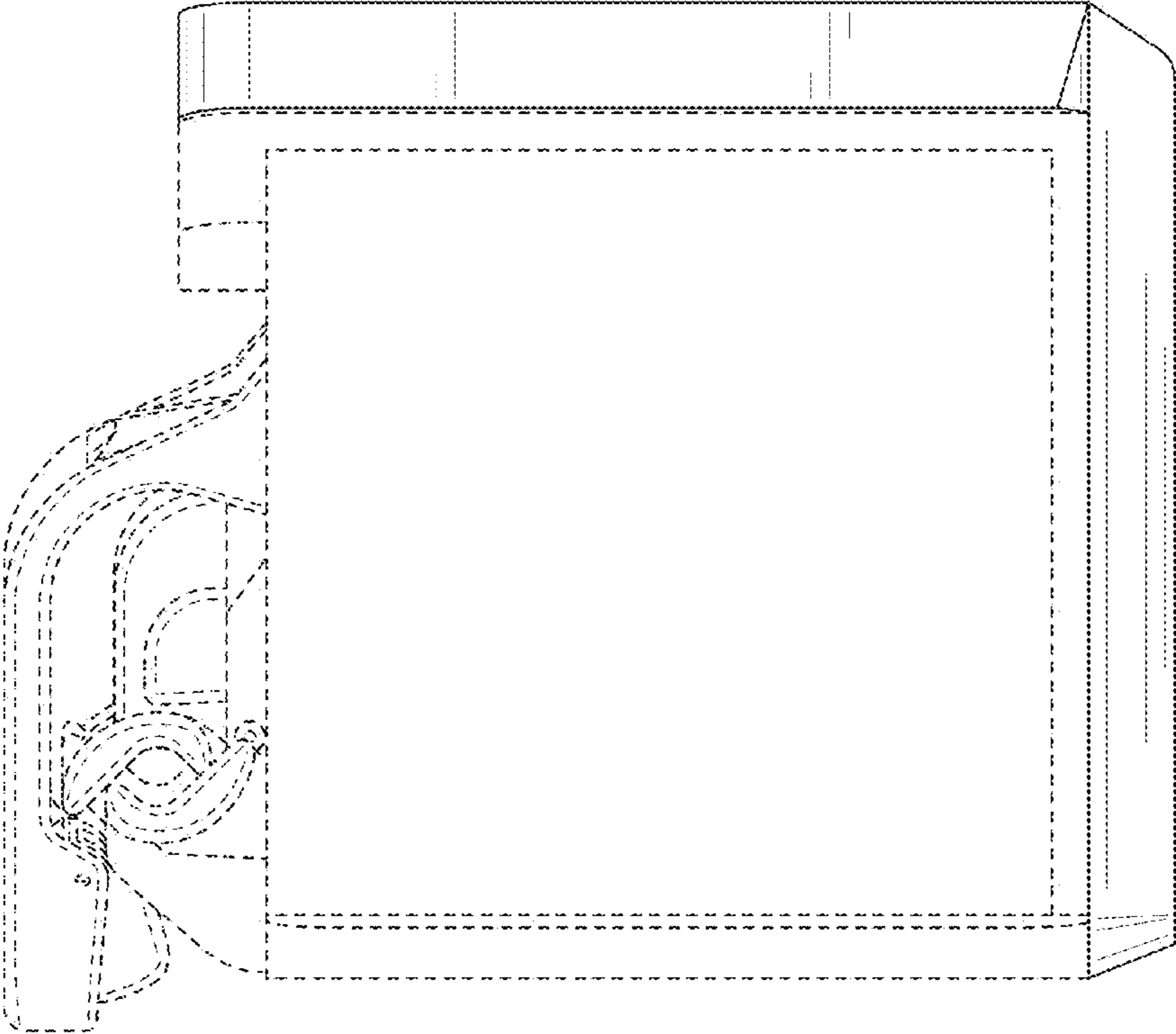


FIG. 12

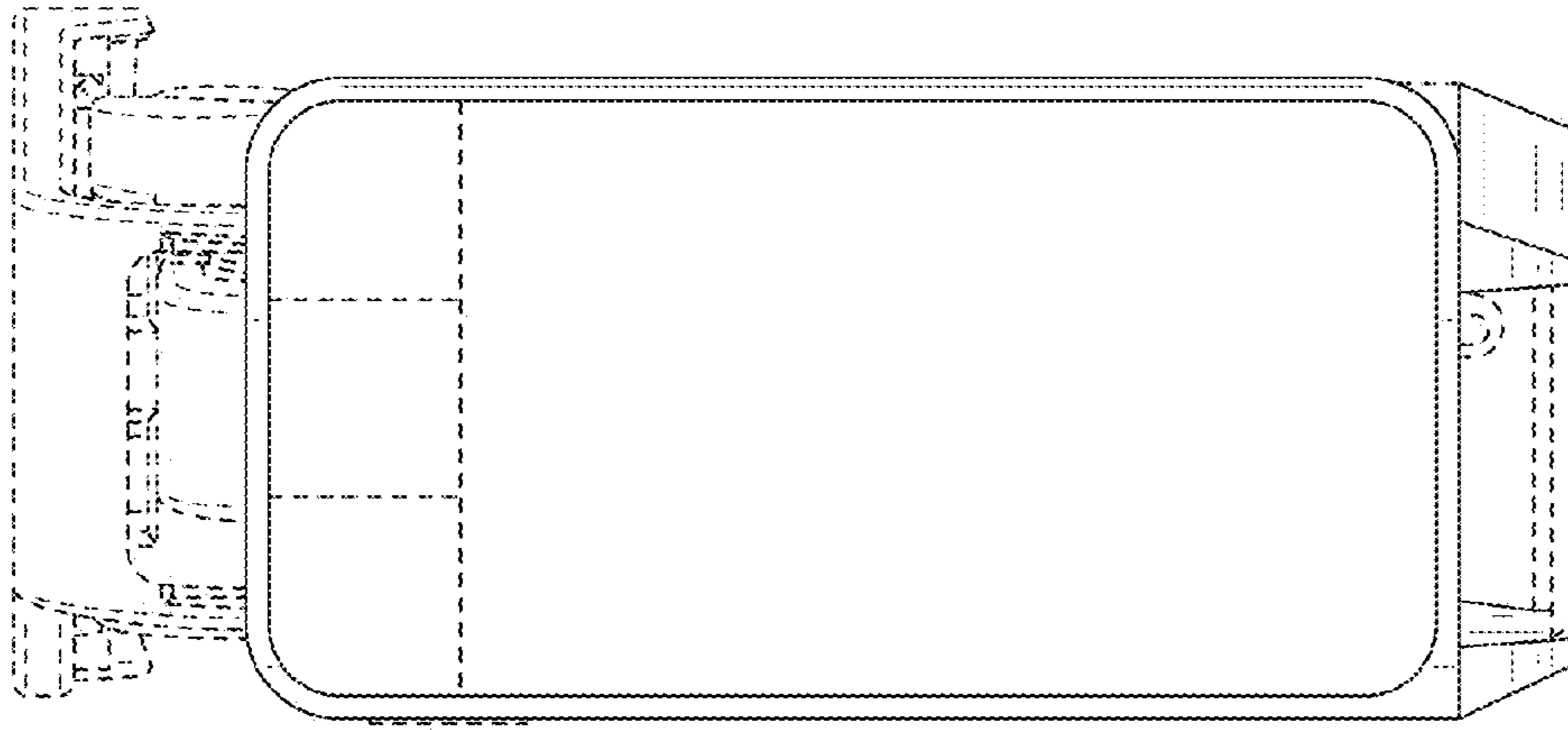


FIG. 13

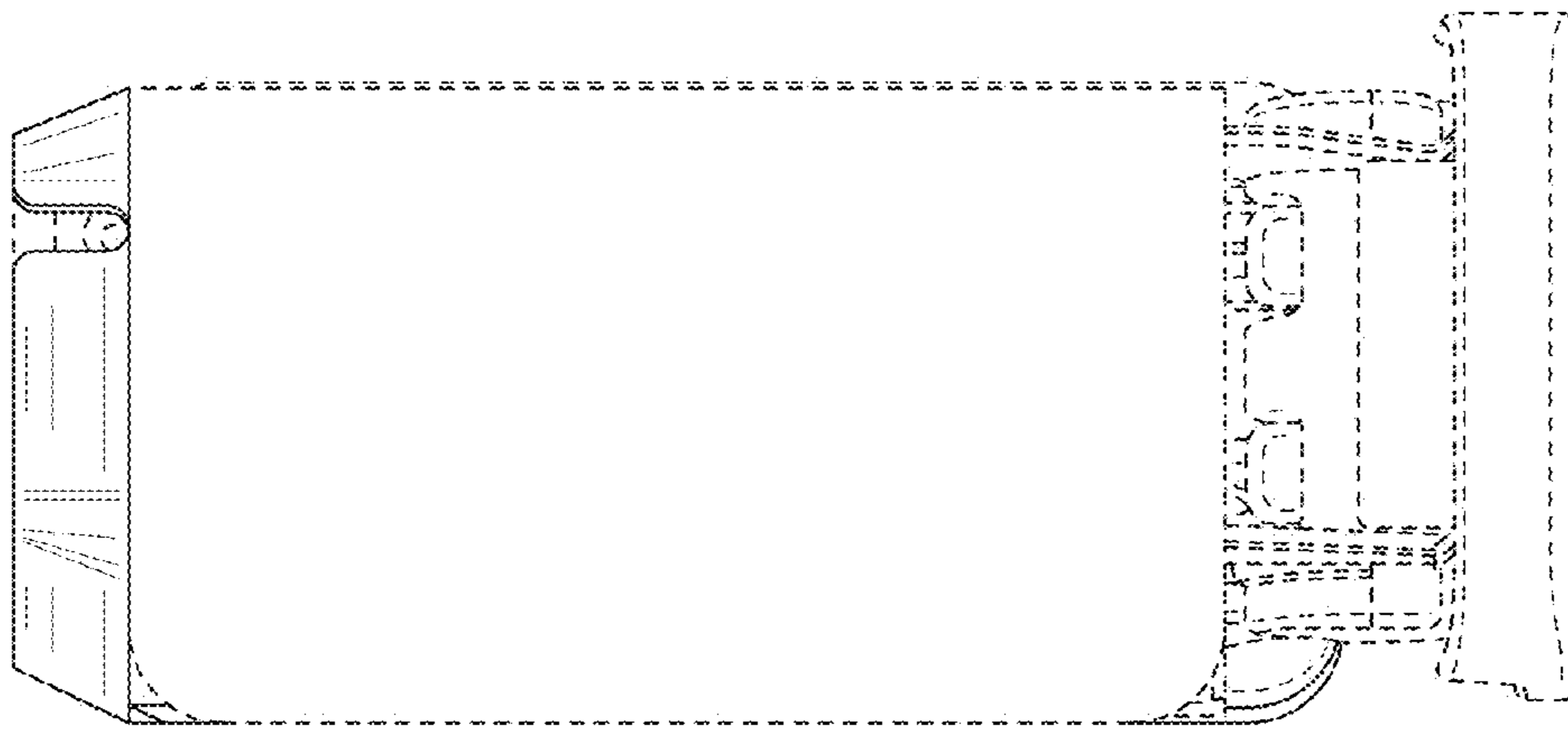


FIG. 14

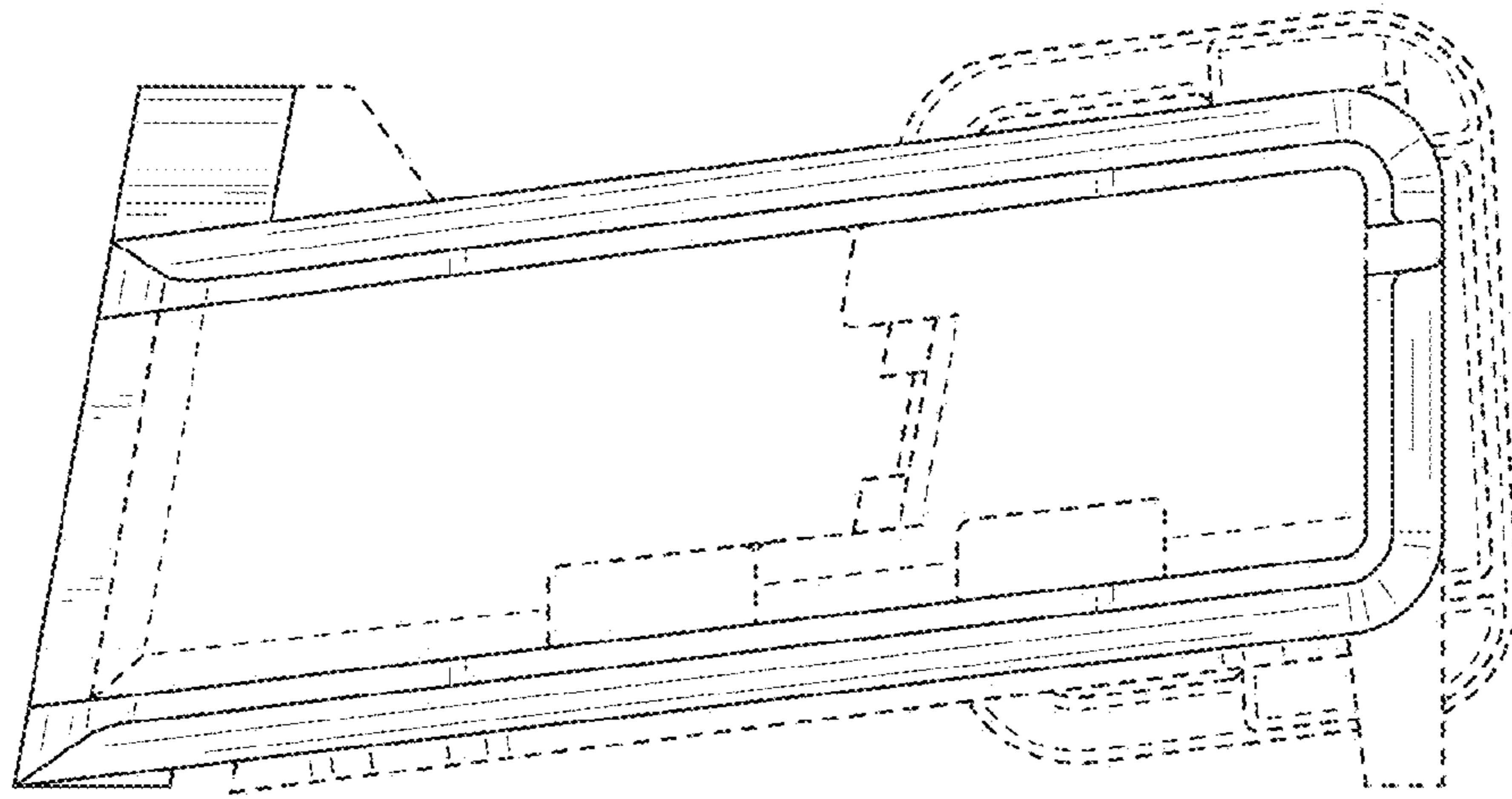


FIG. 15

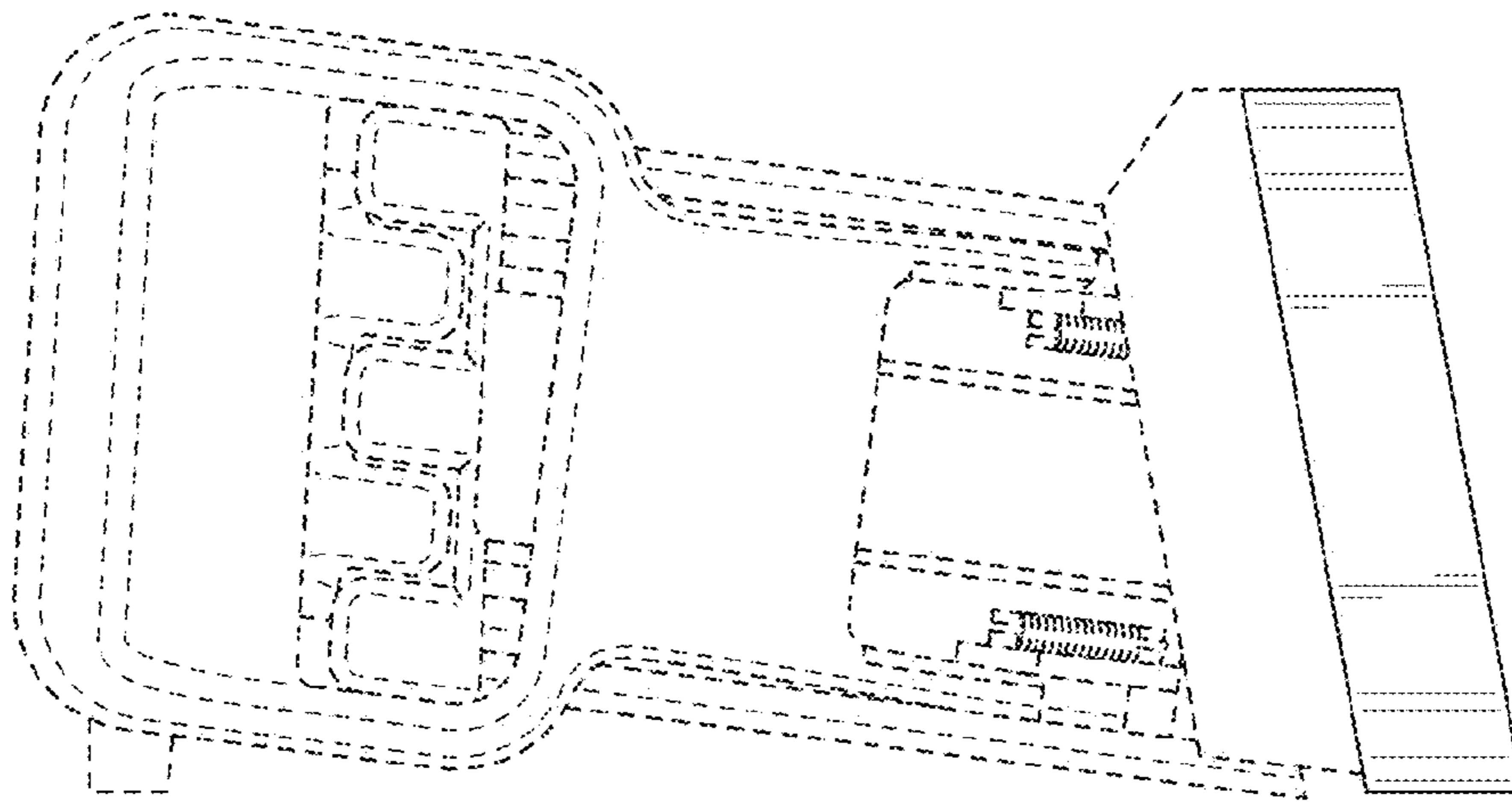


FIG. 16

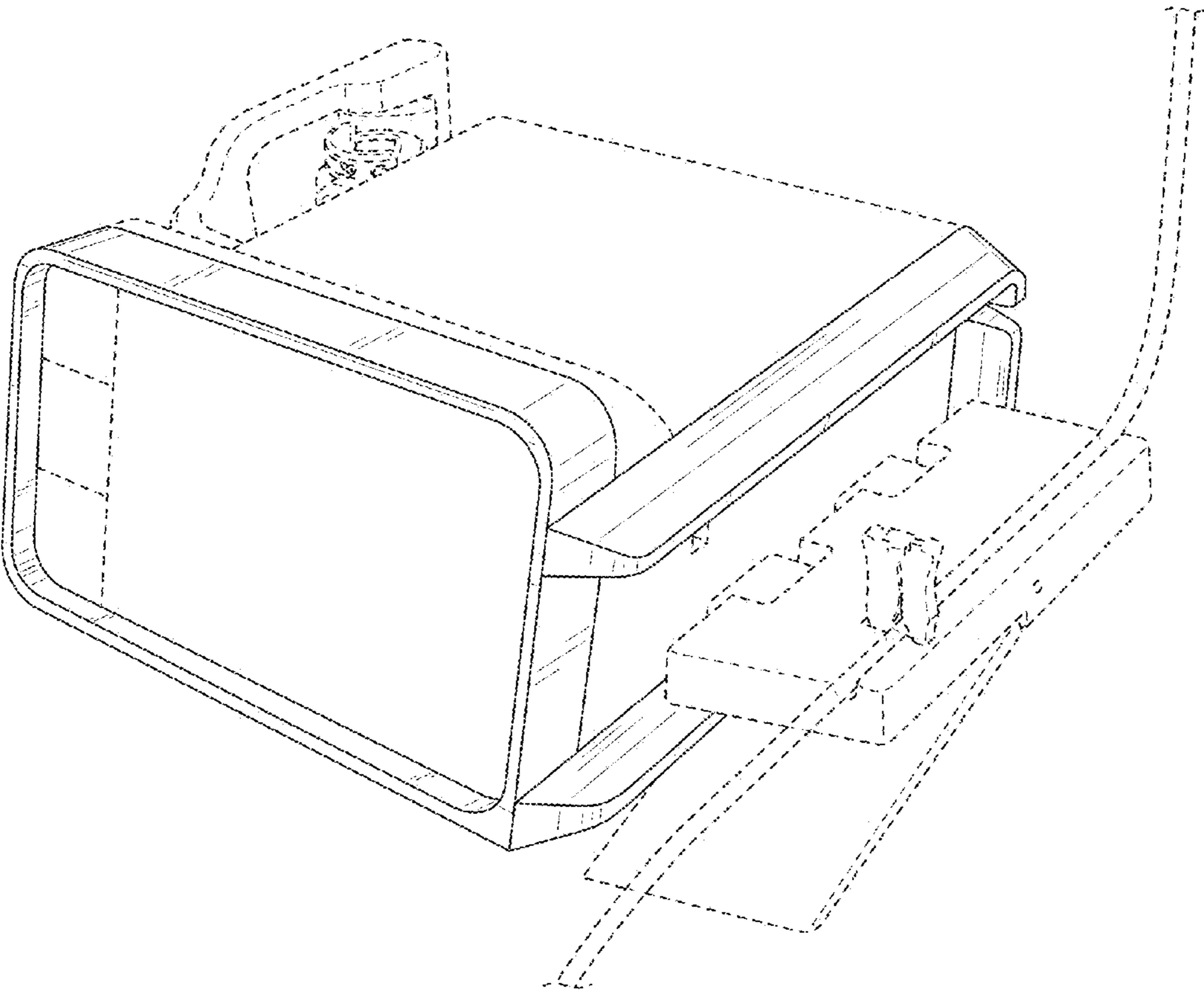


FIG. 17