



US00D728777S

(12) **United States Design Patent**
Spear

(10) **Patent No.:** **US D728,777 S**

(45) **Date of Patent:** **** May 5, 2015**

(54) **HELMET PLENUM**

(71) Applicant: **Lincoln Global, Inc.**, City of Industry,
CA (US)

(72) Inventor: **Theresa Spear**, Highland Heights, OH
(US)

(73) Assignee: **Lincoln Global, Inc.**, City of Industry,
CA (US)

(**) Term: **14 Years**

(21) Appl. No.: **29/470,220**

(22) Filed: **Oct. 18, 2013**

(51) **LOC (10) Cl.** **29-02**

(52) **U.S. Cl.**
USPC **D24/110**

(58) **Field of Classification Search**
USPC D24/110.1-110.5; D29/102-107;
128/202.27, 204.21, 205.25, 205.27,
128/206.11-206.13, 206.18, 206.21,
128/206.24, 206.27, 206.28, 207.11,
128/207.12, 207.13, 207.17, 207.18; 2/171,
2/181, 4, 255

See application file for complete search history.

(56) **References Cited**

U.S. PATENT DOCUMENTS

6,516,802	B2 *	2/2003	Hansen et al.	128/207.11
7,556,043	B2 *	7/2009	Ho et al.	128/207.18
7,665,465	B2 *	2/2010	Radney	128/207.11
7,814,911	B2 *	10/2010	Bordewick et al.	128/207.13
8,091,553	B2 *	1/2012	Bordewick et al.	128/207.11
8,127,765	B2 *	3/2012	Ho et al.	128/207.11
D716,505	S *	10/2014	Wu	D29/122
D716,506	S *	10/2014	Wu	D29/122
8,858,692	B2 *	10/2014	Dwyer et al.	96/417

* cited by examiner

Primary Examiner — Wan Laymon

Assistant Examiner — Mark Booker

(74) *Attorney, Agent, or Firm* — Perkins Coie LLP

(57) **CLAIM**

The ornamental design for a helmet plenum, as shown and described.

DESCRIPTION

FIG. 1 is perspective view of a helmet plenum.

FIG. 2 is a top view of a helmet plenum.

FIG. 3 is a front view of a helmet plenum.

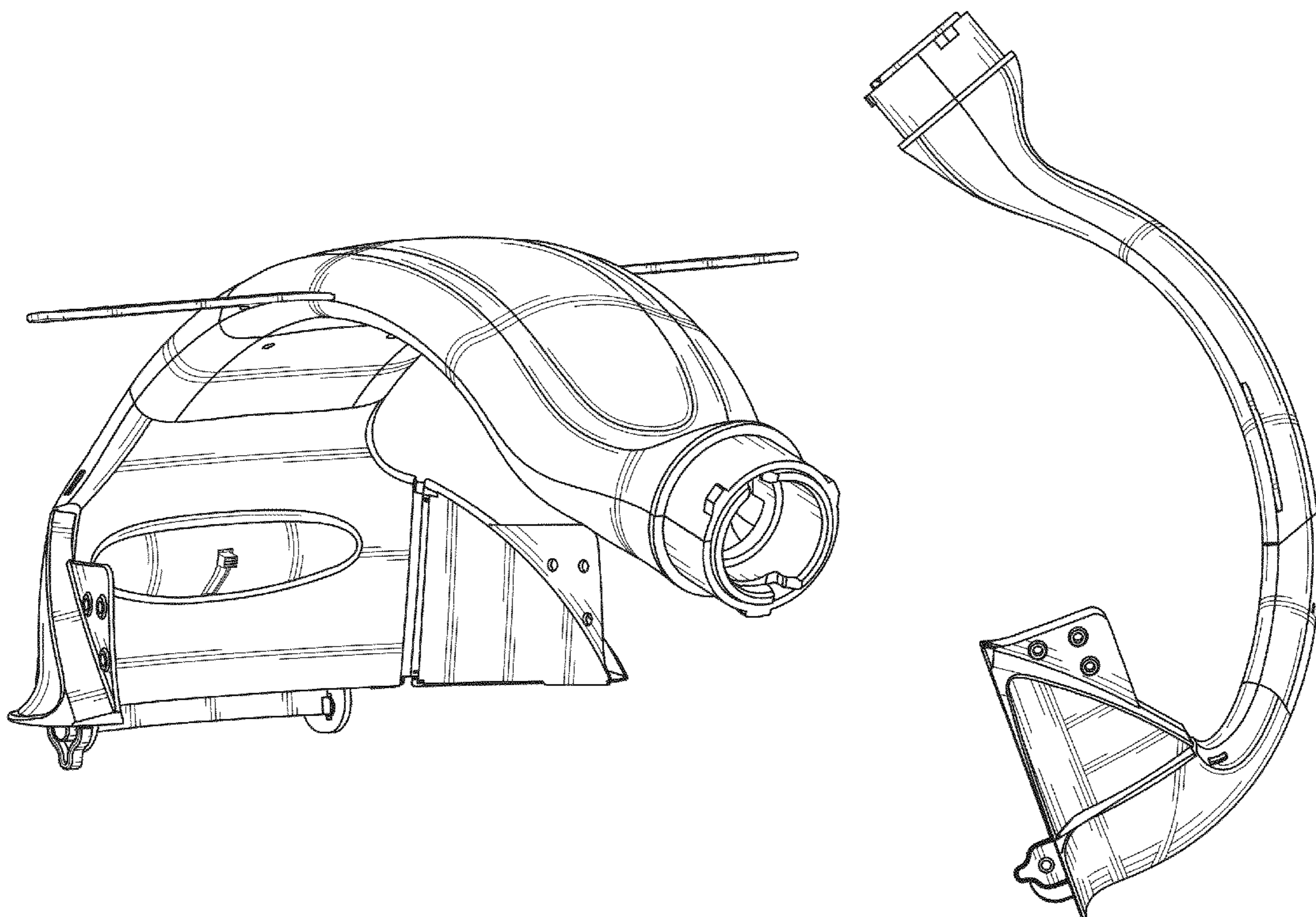
FIG. 4 is a back view of a helmet plenum.

FIG. 5 is a bottom view of a helmet plenum.

FIG. 6 is a side view of a helmet plenum; and,

FIG. 7 is another side view of a helmet plenum.

1 Claim, 4 Drawing Sheets



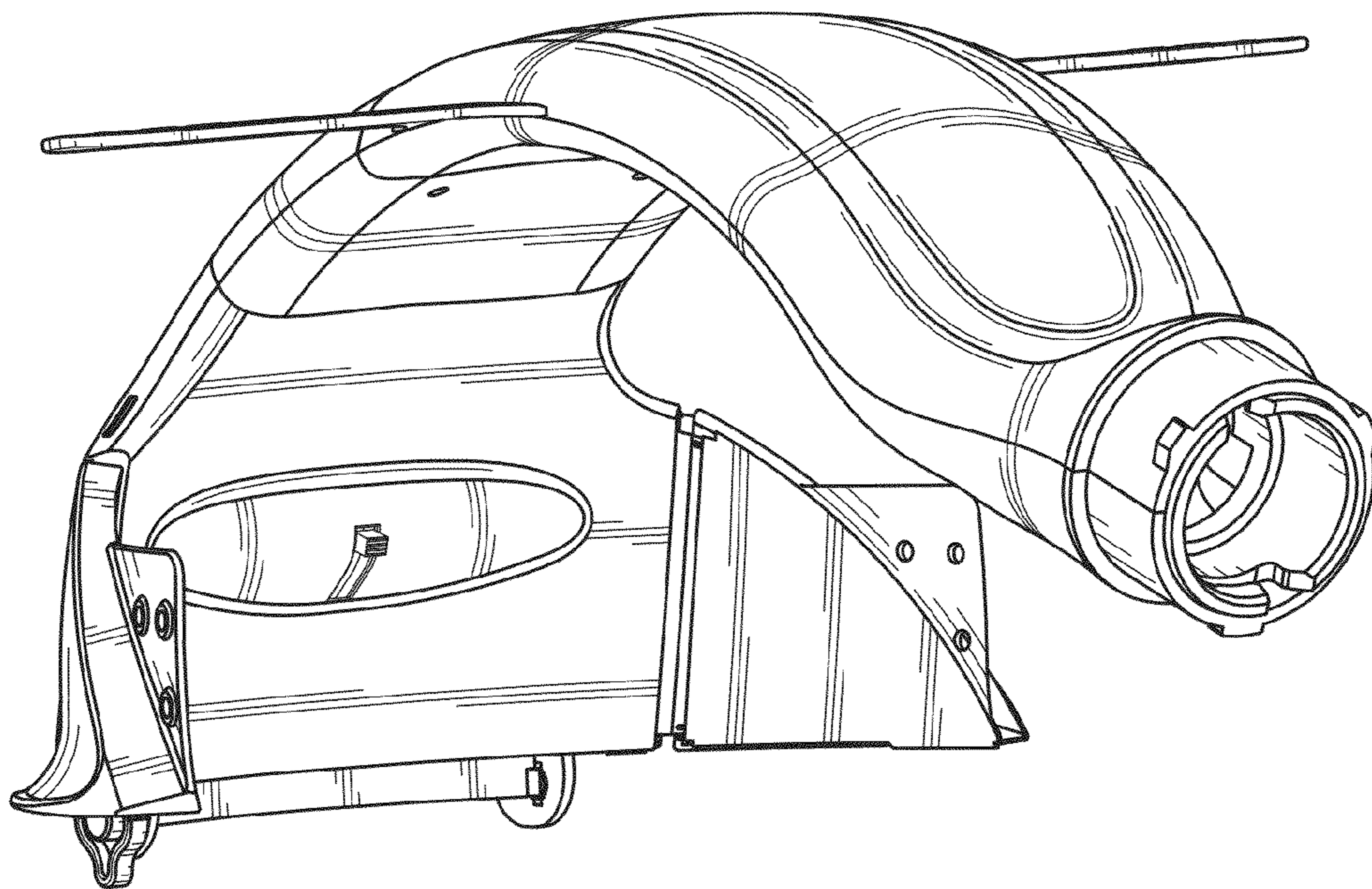


FIG. 1

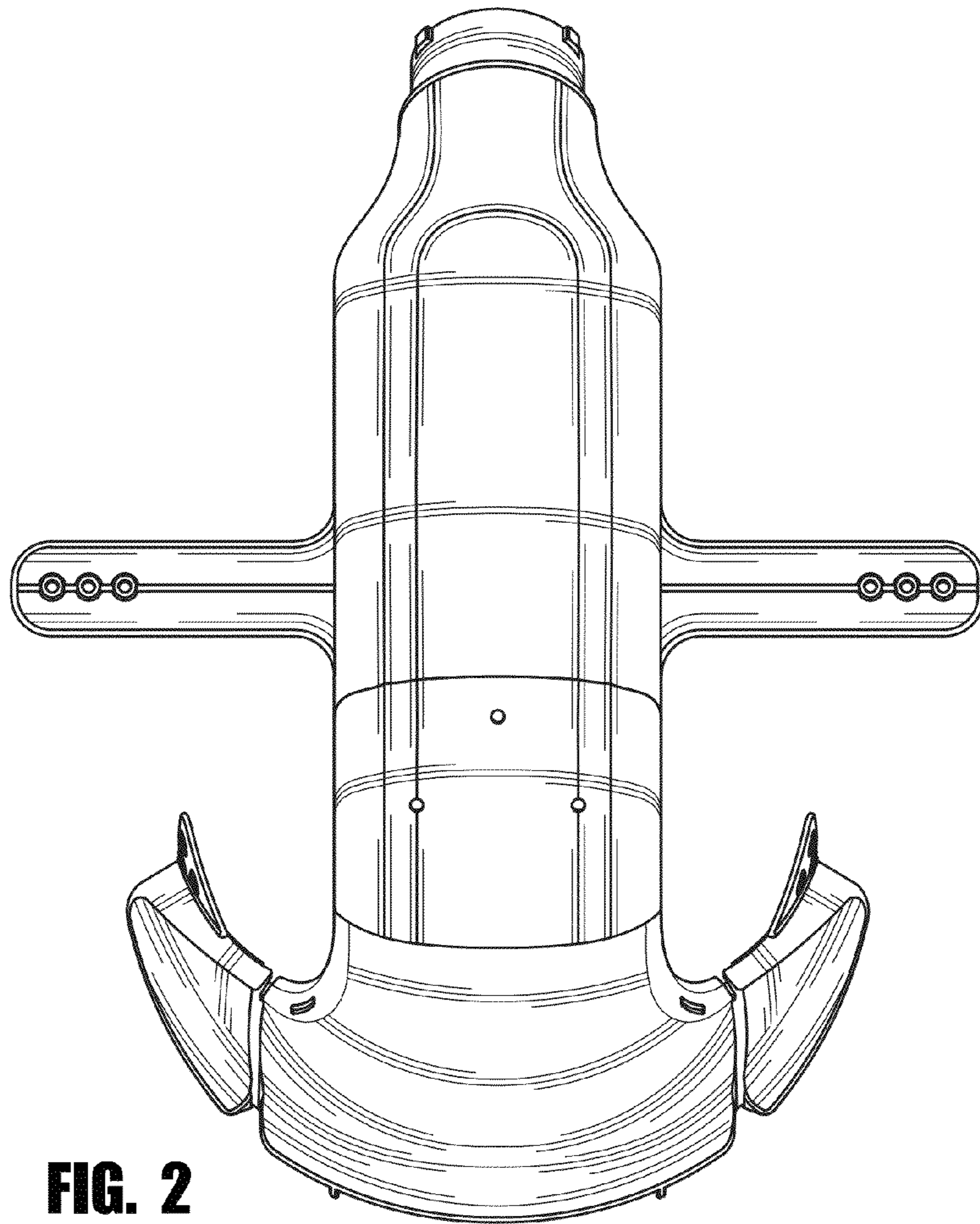


FIG. 2

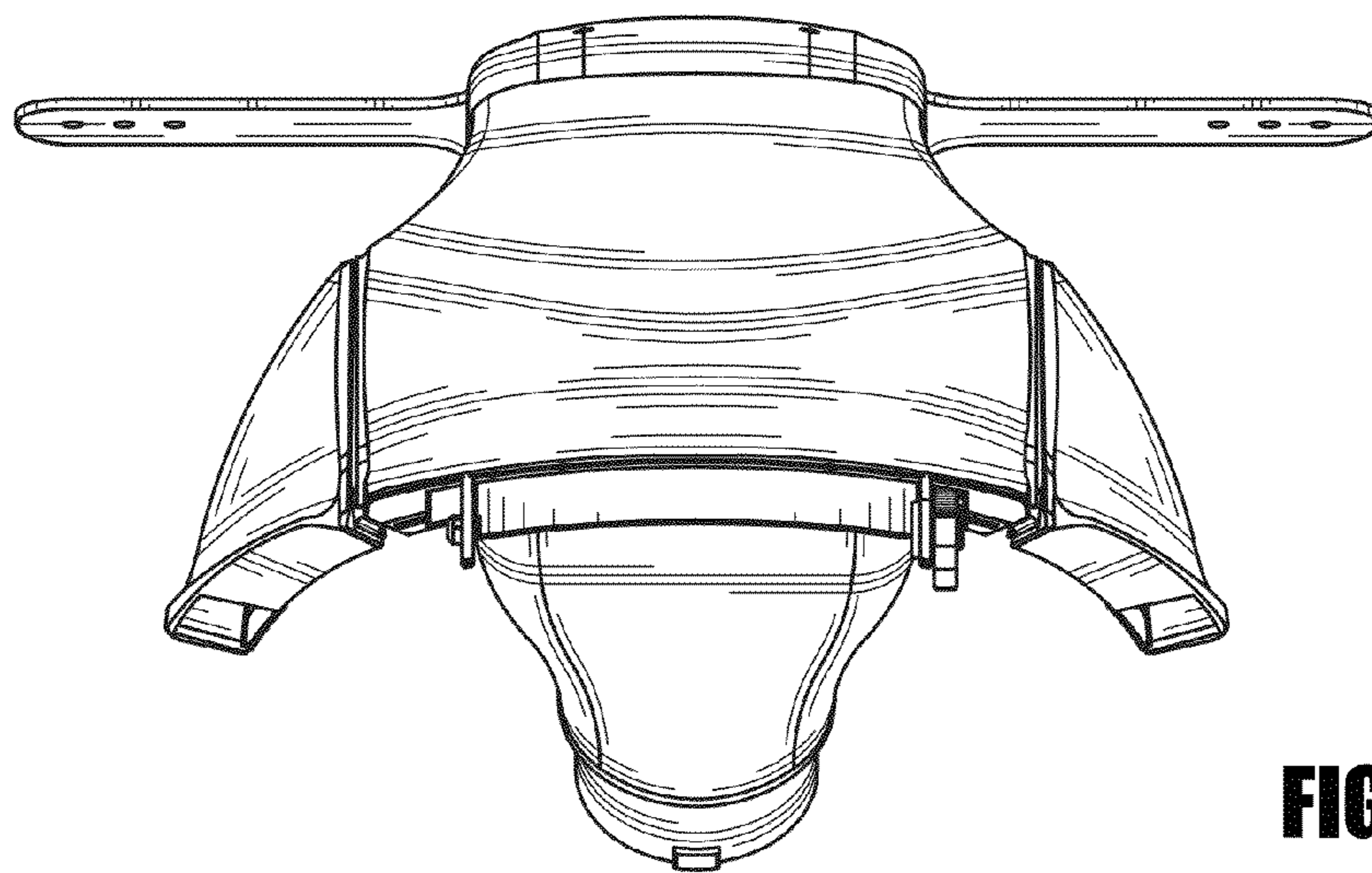


FIG. 3

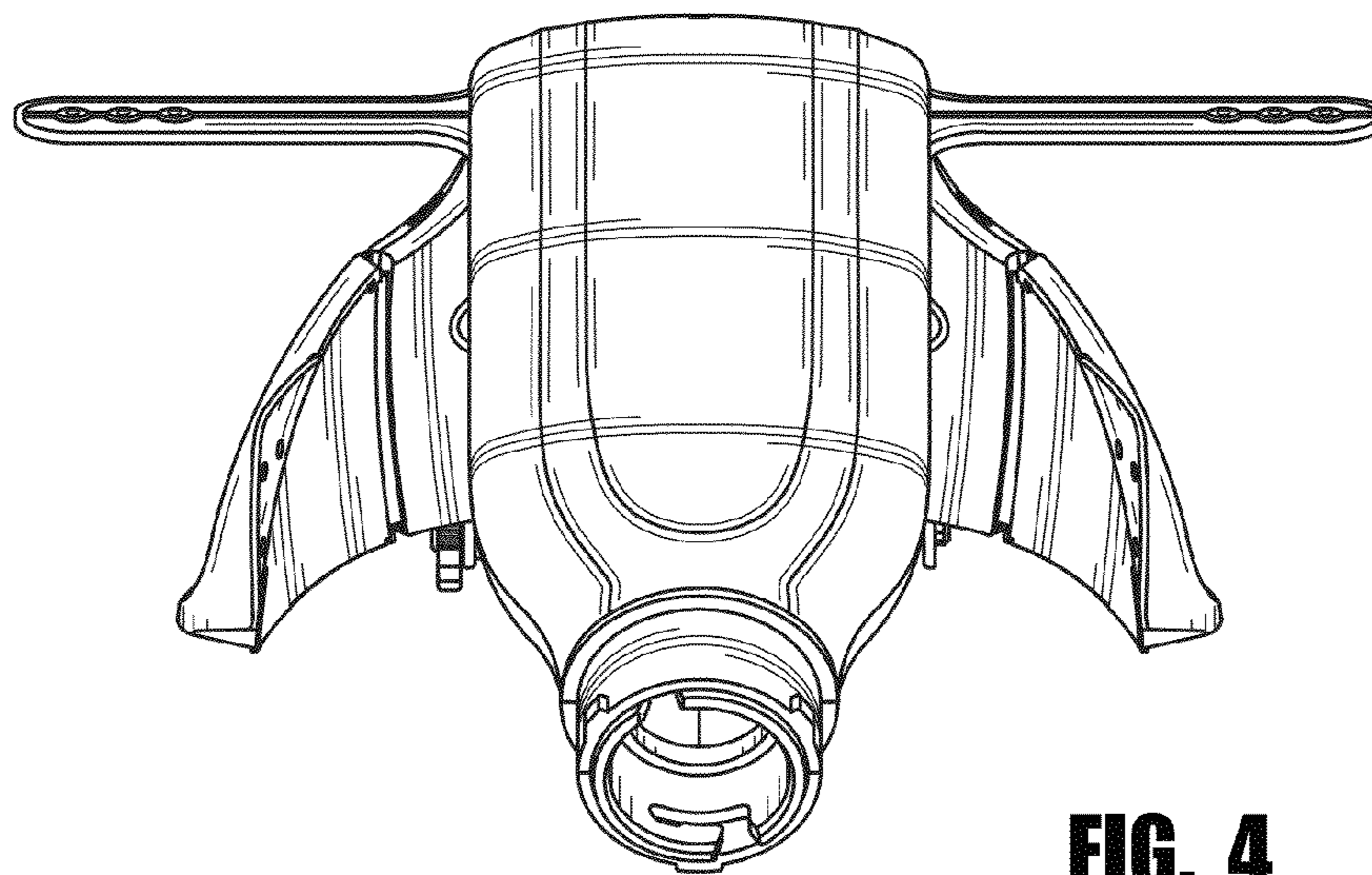


FIG. 4

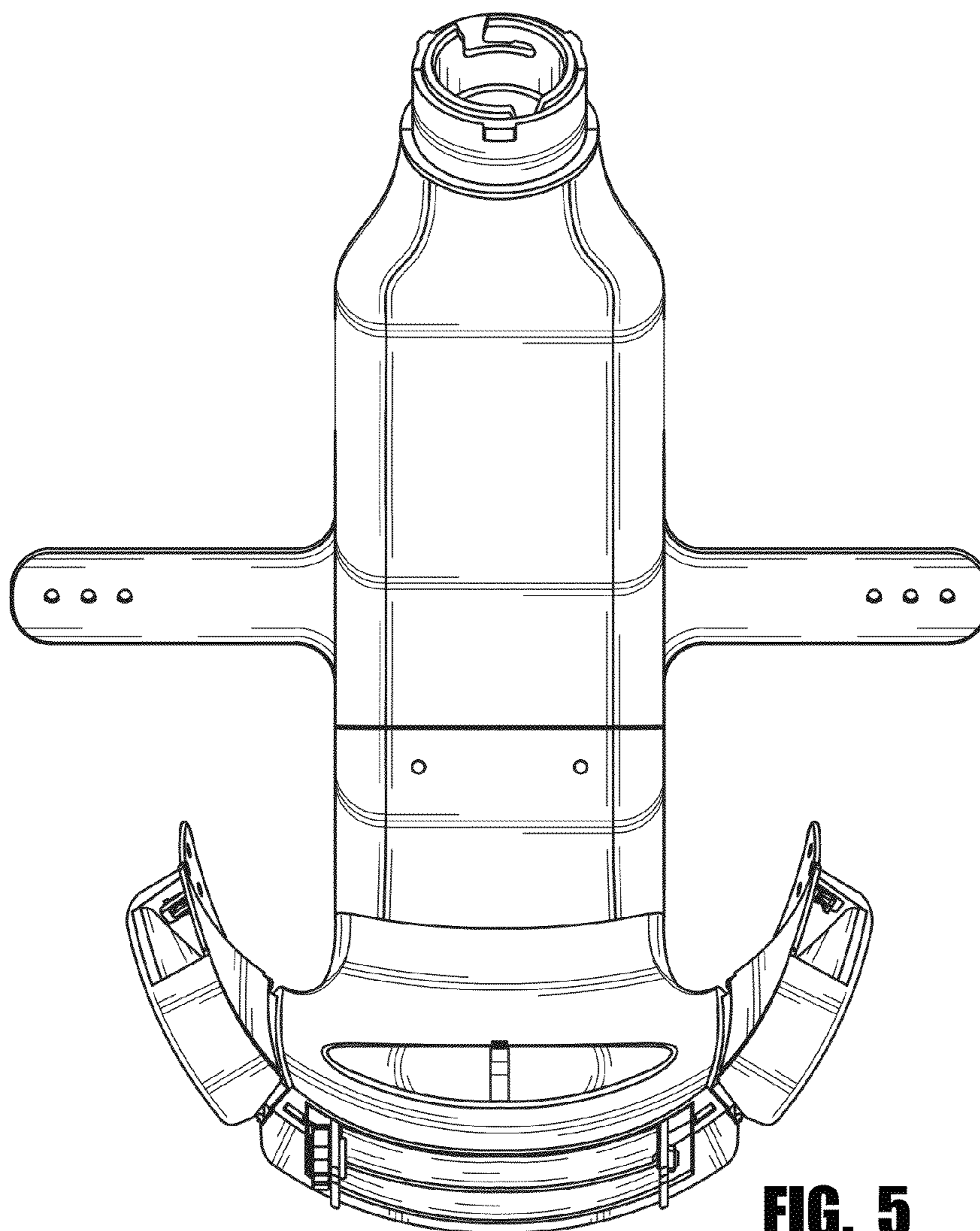


FIG. 5

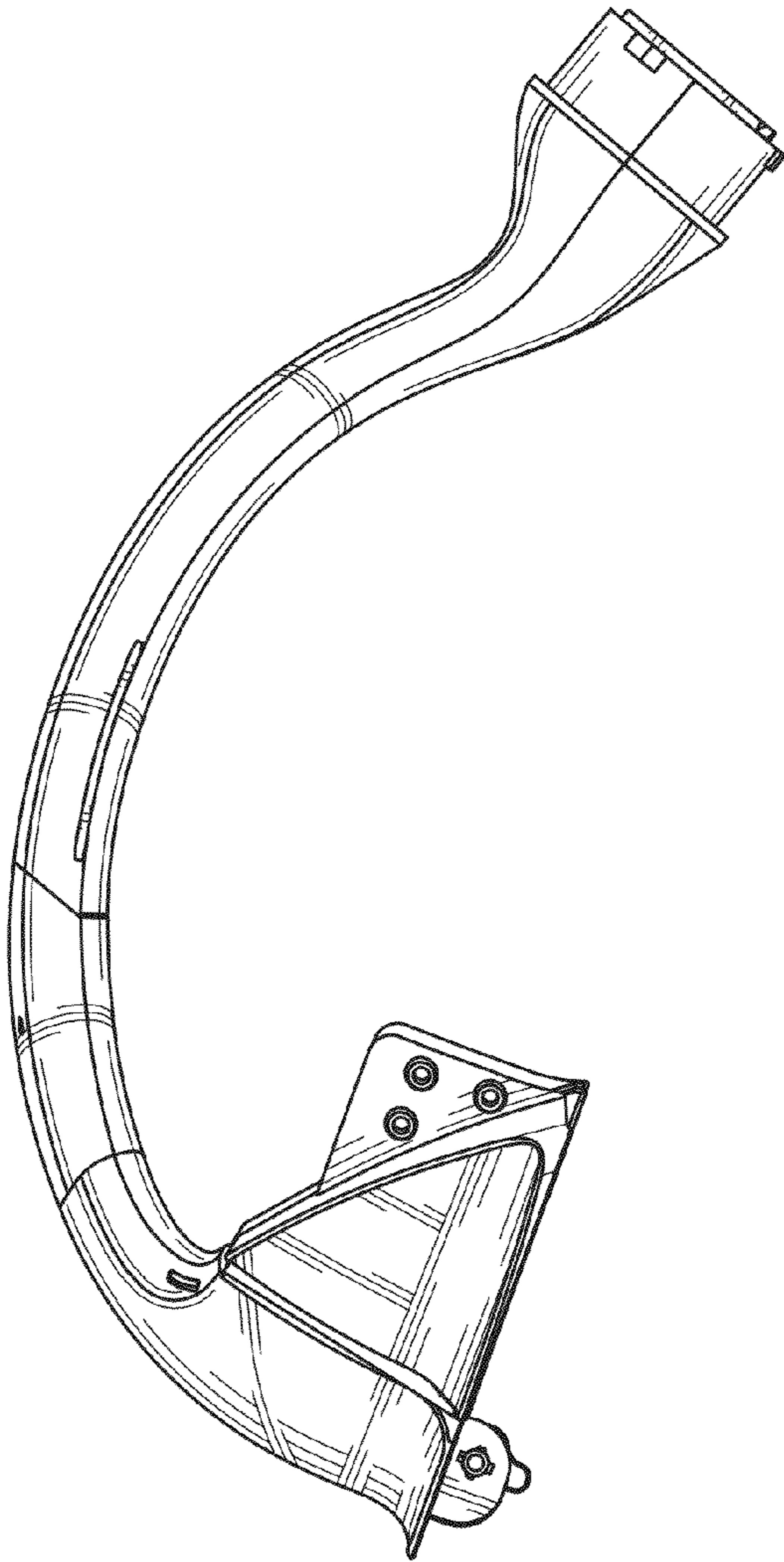


FIG. 6

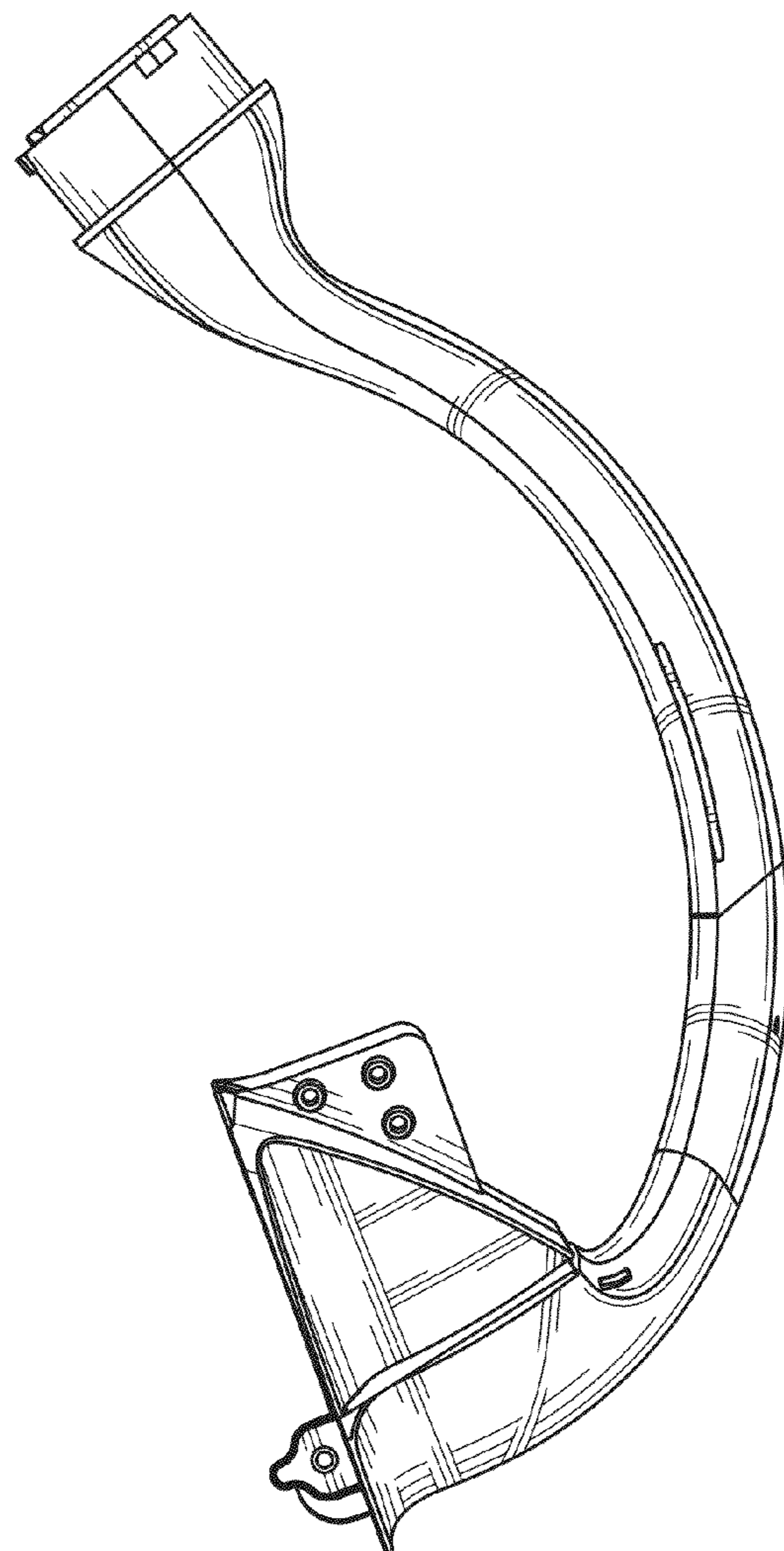


FIG. 7