



US00D728775S

(12) **United States Design Patent**  
**Gajewski**

(10) **Patent No.:** **US D728,775 S**

(45) **Date of Patent:** **\*\* May 5, 2015**

(54) **CEILING FAN HOUSING**

(71) Applicant: **Minka Lighting, Inc.**, Corona, CA (US)

(72) Inventor: **Mark Gajewski**, Avila Beach, CA (US)

(73) Assignee: **Minka Lighting, Inc.**, Corona, CA (US)

(\*\*) Term: **14 Years**

(21) Appl. No.: **29/449,675**

(22) Filed: **Mar. 15, 2013**

(51) **LOC (10) Cl.** ..... **23-04**

(52) **U.S. Cl.**  
USPC ..... **D23/411**

(58) **Field of Classification Search**

USPC ..... D23/411-414, 259-261, 324, 331, 343,  
D23/370-387, 390, 499; D26/59, 72, 51,  
D26/73, 80-83, 84-86, 88, 90; 416/5, 170 R,  
416/214 R, 184, 206, 207, 210 R, 220 R,  
416/244 R, 248; 362/96; 392/361, 364;  
417/423.15

See application file for complete search history.

(56) **References Cited**

**U.S. PATENT DOCUMENTS**

|               |         |                  |       |         |
|---------------|---------|------------------|-------|---------|
| D90,062 S *   | 6/1933  | Dasher           | ..... | D23/378 |
| D90,063 S *   | 6/1933  | Dasher           | ..... | D23/377 |
| D112,847 S *  | 1/1939  | Roffy            | ..... | D23/377 |
| D149,133 S *  | 3/1948  | Kisling          | ..... | D23/377 |
| 2,632,598 A * | 3/1953  | Wales, Jr.       | ..... | 416/4   |
| D180,827 S *  | 8/1957  | Foloky at al.    | ..... | D23/385 |
| D268,521 S *  | 4/1983  | Clemente         | ..... | D23/379 |
| D295,555 S *  | 5/1988  | Greenberg        | ..... | D23/385 |
| D298,454 S *  | 11/1988 | Clyde-Mason      | ..... | D23/385 |
| 5,028,206 A * | 7/1991  | Kendregan et al. | ..... | 416/5   |
| D345,790 S *  | 4/1994  | Caldwell         | ..... | D23/377 |
| D351,020 S *  | 9/1994  | Arnold           | ..... | D23/377 |
| D400,278 S *  | 10/1998 | Binsukor         | ..... | D26/67  |
| D411,295 S *  | 6/1999  | Evans            | ..... | D23/411 |

|              |         |              |       |         |
|--------------|---------|--------------|-------|---------|
| D417,305 S * | 11/1999 | Pahl         | ..... | D26/118 |
| D417,747 S * | 12/1999 | Pahl         | ..... | D26/118 |
| D522,128 S * | 5/2006  | Young        | ..... | D23/411 |
| D541,958 S * | 5/2007  | Holldorff    | ..... | D26/24  |
| D632,384 S * | 2/2011  | Pan          | ..... | D23/411 |
| D676,543 S * | 2/2013  | Hiner et al. | ..... | D23/377 |
| D676,952 S * | 2/2013  | Hiner        | ..... | D23/377 |
| D698,914 S * | 2/2014  | Love et al.  | ..... | D23/377 |
| D700,984 S * | 3/2014  | Yang         | ..... | D26/59  |
| D704,819 S * | 5/2014  | Wang         | ..... | D23/411 |

\* cited by examiner

*Primary Examiner* — Susan Bennett Hattan

*Assistant Examiner* — Marie Fast Horse

(74) *Attorney, Agent, or Firm* — Baker & McKenzie LLP

(57) **CLAIM**

The ornamental design for a ceiling fan housing, as shown and described.

**DESCRIPTION**

FIG. 1 is a perspective view of a ceiling fan housing in accordance with my design;

FIG. 2 is another perspective view of the ceiling fan housing in accordance with my design;

FIG. 3 is a top plan view of the ceiling fan housing in accordance with my design;

FIG. 4 is a bottom plan view of the ceiling fan housing in accordance with my design;

FIG. 5 is a rear elevation view of the ceiling fan housing in accordance with my design;

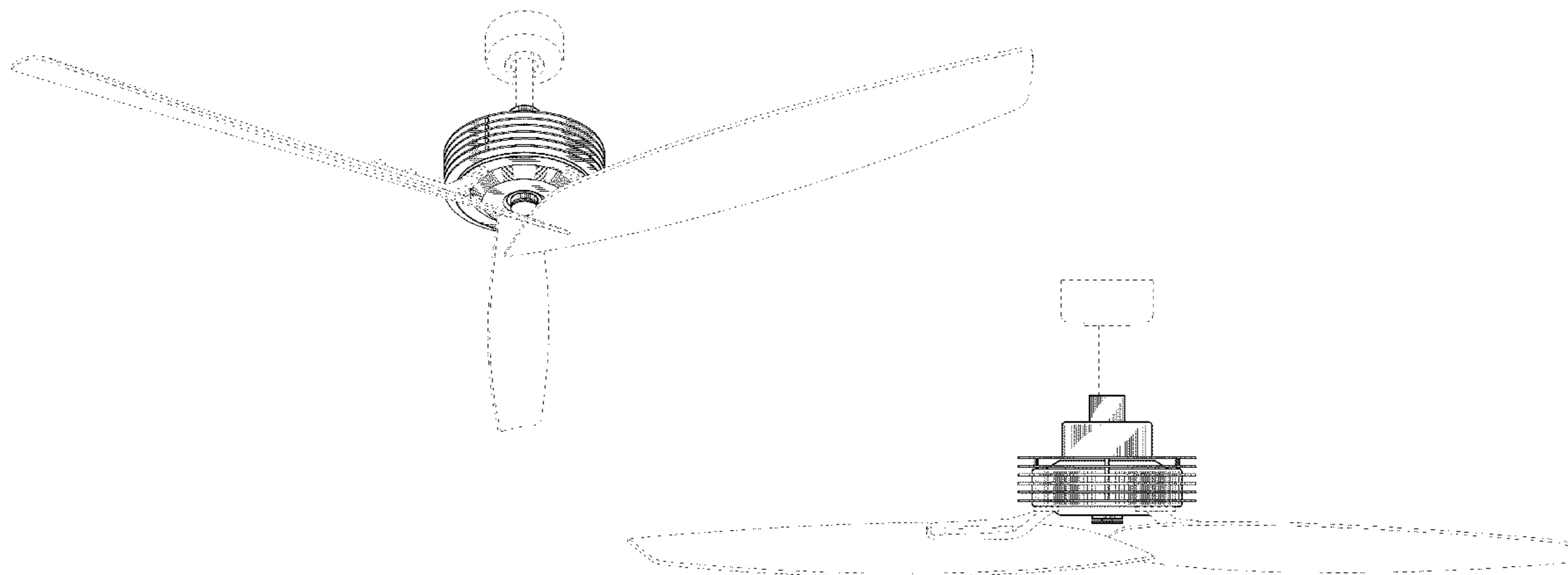
FIG. 6 is a front elevation view of the ceiling fan housing in accordance with my design;

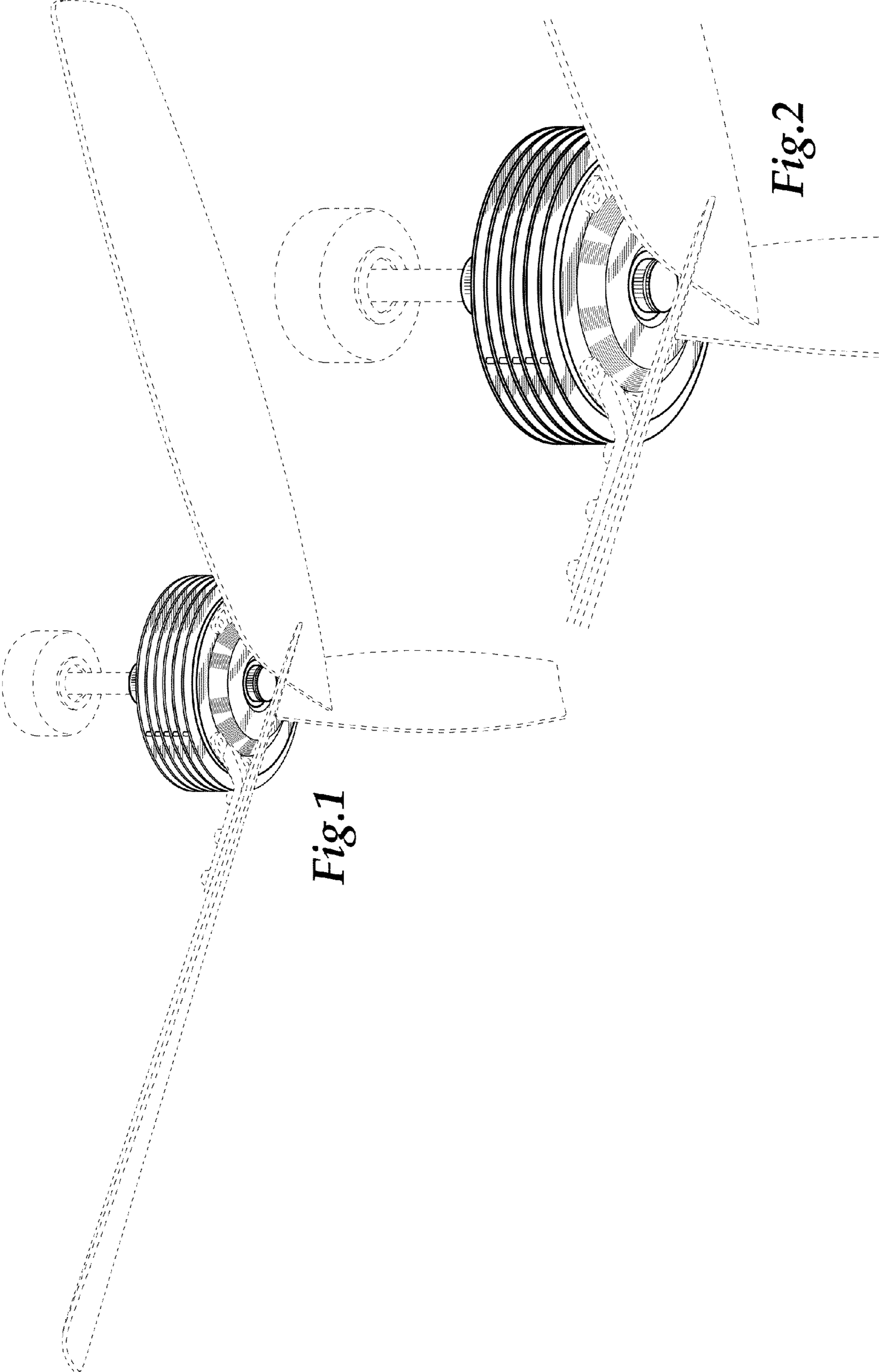
FIG. 7 is a left-side elevation view of the ceiling fan housing in accordance with my design; and,

FIG. 8 is a right-side elevation view of the ceiling fan housing in accordance with my design.

The broken lines showing the environmental structure are for illustrative purposes and form no part of the claimed design.

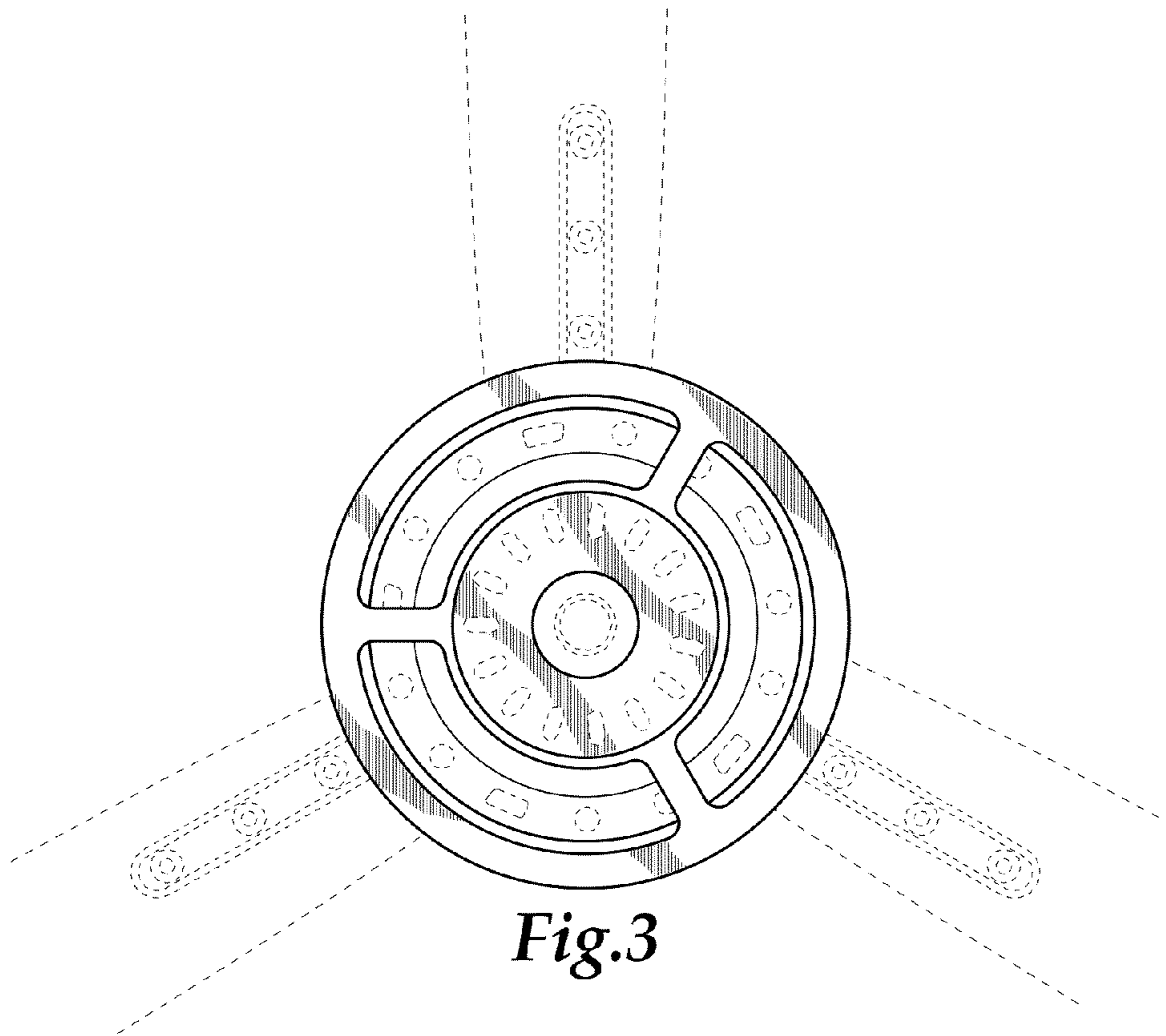
**1 Claim, 4 Drawing Sheets**



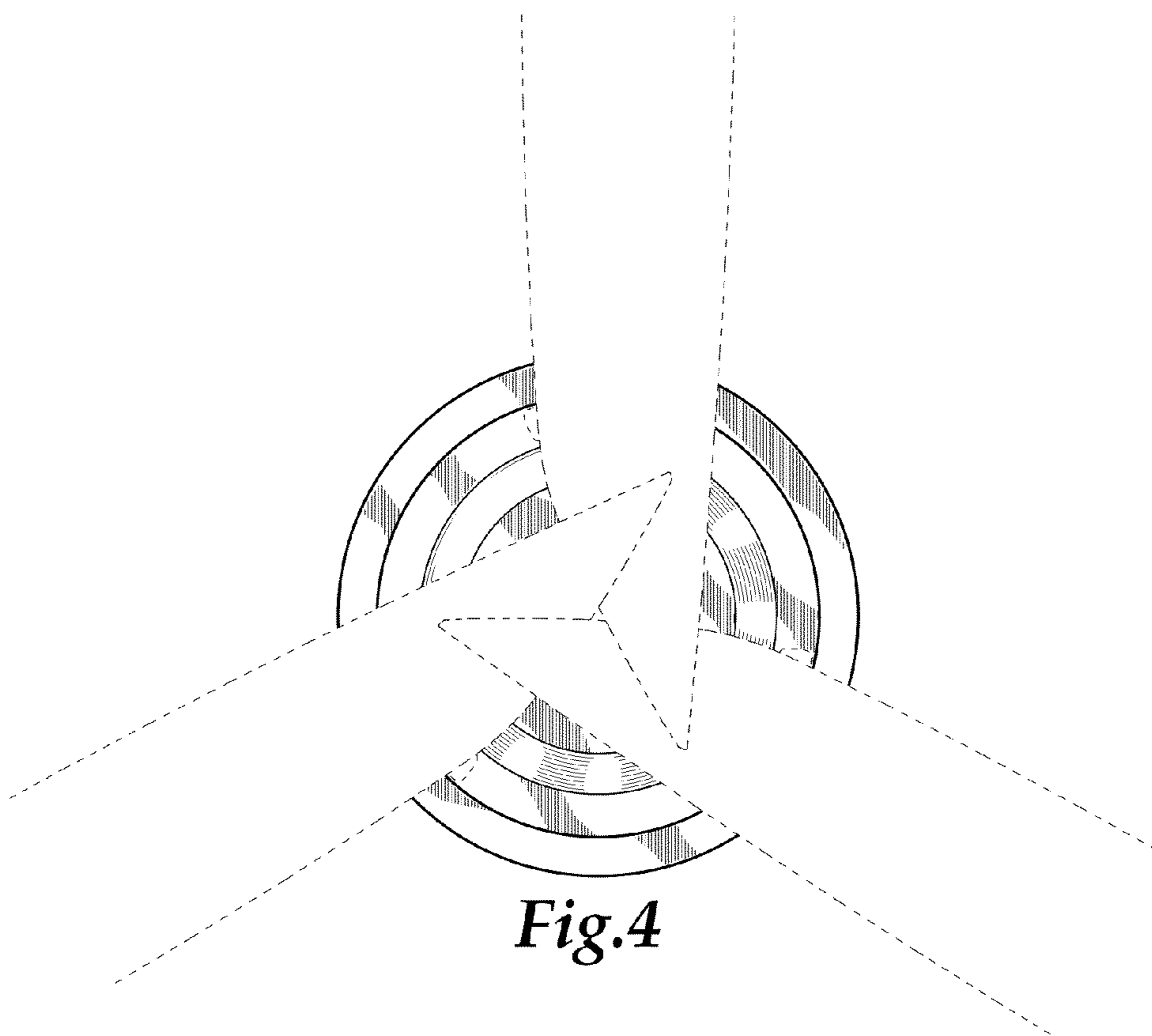


*Fig.1*

*Fig.2*



*Fig.3*



*Fig.4*

