



US00D728774S

(12) **United States Design Patent**
Graham

(10) **Patent No.:** **US D728,774 S**
(45) **Date of Patent:** **** May 5, 2015**

- (54) **CONNECTOR ASSEMBLY**
- (71) Applicant: **Michael Graham**, Elmira, NY (US)
- (72) Inventor: **Michael Graham**, Elmira, NY (US)
- (**) Term: **14 Years**
- (21) Appl. No.: **29/441,370**
- (22) Filed: **Jan. 4, 2013**

Related U.S. Application Data

- (63) Continuation-in-part of application No. 13/088,753, filed on Apr. 18, 2011, now abandoned.
- (51) **LOC (10) Cl.** **23-04**
- (52) **U.S. Cl.**
USPC **D23/393**
- (58) **Field of Classification Search**
USPC D23/233, 245, 259–269, 393;
285/86–93
See application file for complete search history.

(56) **References Cited**

U.S. PATENT DOCUMENTS

1,636,323	A *	7/1927	Rand	220/8
2,880,902	A *	4/1959	Owsen	220/8
4,146,939	A *	4/1979	Izzi	4/286
4,157,833	A *	6/1979	Kozlowski	277/511
5,145,394	A *	9/1992	Hager	439/321
D355,708	S *	2/1995	Caine	D23/260
D360,018	S *	7/1995	Sonden et al.	D23/262
D360,020	S *	7/1995	Sonden et al.	D23/262
D360,021	S *	7/1995	Sonden et al.	D23/262
D383,195	S *	9/1997	Sonden et al.	D23/262
D402,354	S *	12/1998	Strong et al.	D23/259

6,073,973	A *	6/2000	Boscaljon et al.	285/81
D435,090	S *	12/2000	Stout, Jr.	D23/269
D437,034	S *	1/2001	Stout, Jr.	D23/269
D446,298	S *	8/2001	Thurman	D23/393
6,290,238	B1 *	9/2001	Johnson, Jr.	277/613
D451,457	S *	12/2001	Hale, Jr.	D12/208
D466,652	S *	12/2002	Thurman	D23/393
D504,503	S *	4/2005	Thurman	D23/393
7,004,511	B2 *	2/2006	Barron et al.	285/342
D616,966	S *	6/2010	Angell	D23/262
8,556,099	B2 *	10/2013	Perlman	220/8
8,840,149	B1 *	9/2014	Cornelius	285/317
D715,145	S *	10/2014	Yamagishi et al.	D9/447
2005/0247353	A1 *	11/2005	Kao	137/625.41
2012/0260488	A1 *	10/2012	Graham	29/525.01

* cited by examiner

Primary Examiner — Celia Murphy
Assistant Examiner — John Reickel

(74) *Attorney, Agent, or Firm* — Thomas T. Aquilla; Aquilla Patents & Marks PLLC

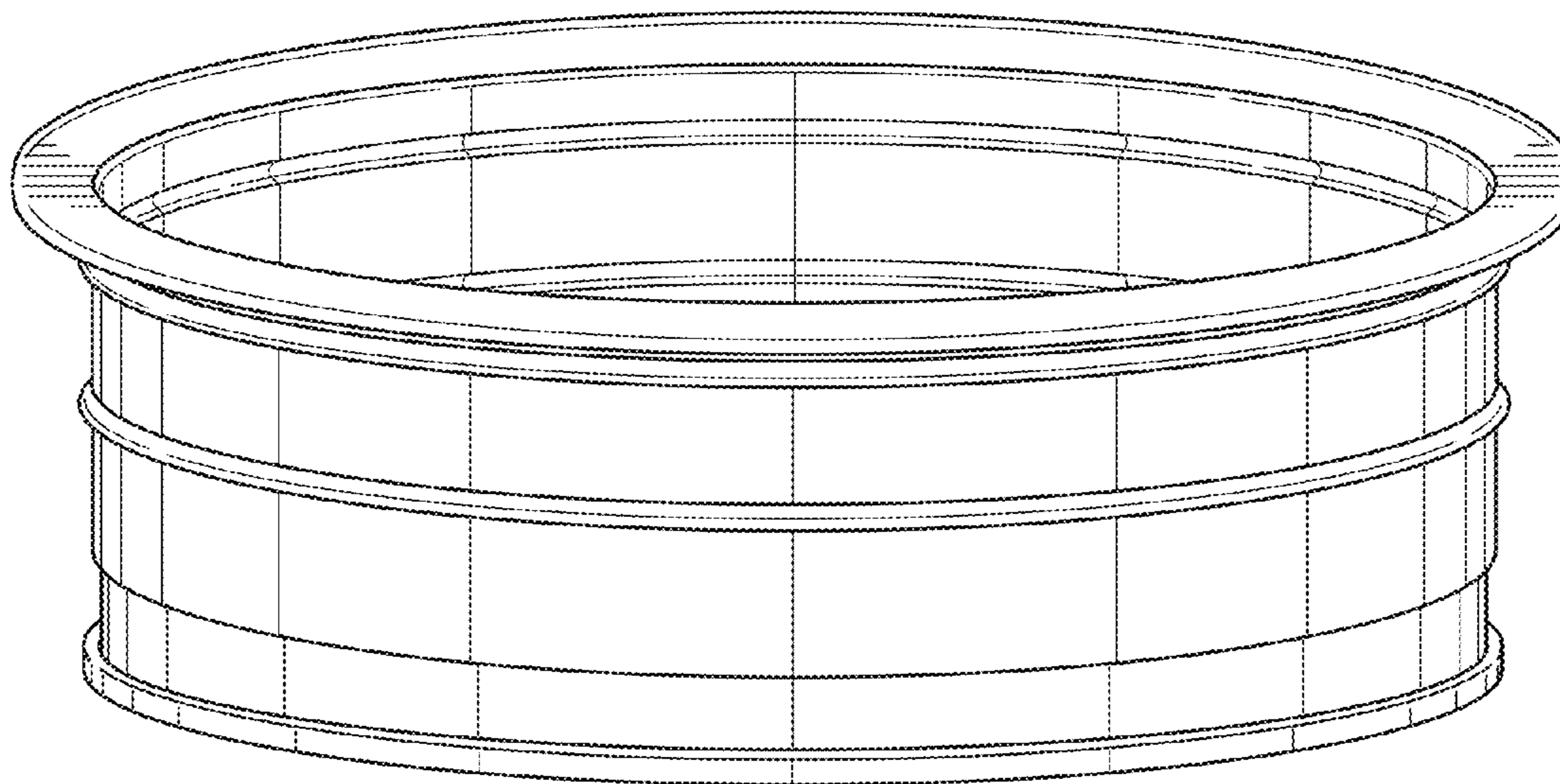
(57) **CLAIM**

I claim the ornamental design for a connector assembly, as shown.

DESCRIPTION

FIG. 1 shows a perspective top and side view of a connector assembly;
 FIG. 2 shows a perspective bottom and side view of a connector assembly;
 FIG. 3 shows a top plan view of a connector assembly;
 FIG. 4 shows a bottom plan view of a connector assembly;
 and,
 FIG. 5 shows a side elevation view of a connector assembly.

1 Claim, 5 Drawing Sheets



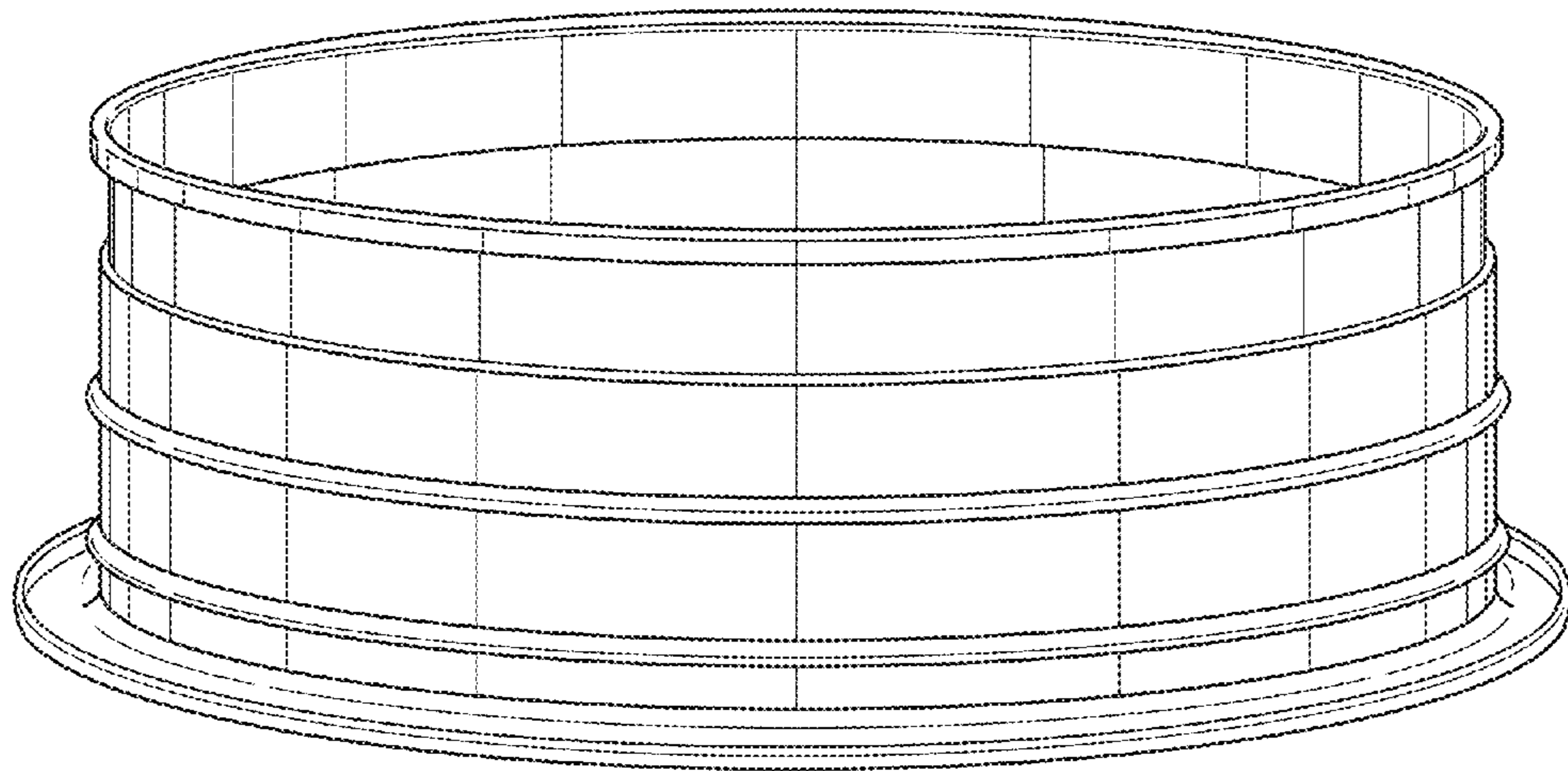


FIG. 1

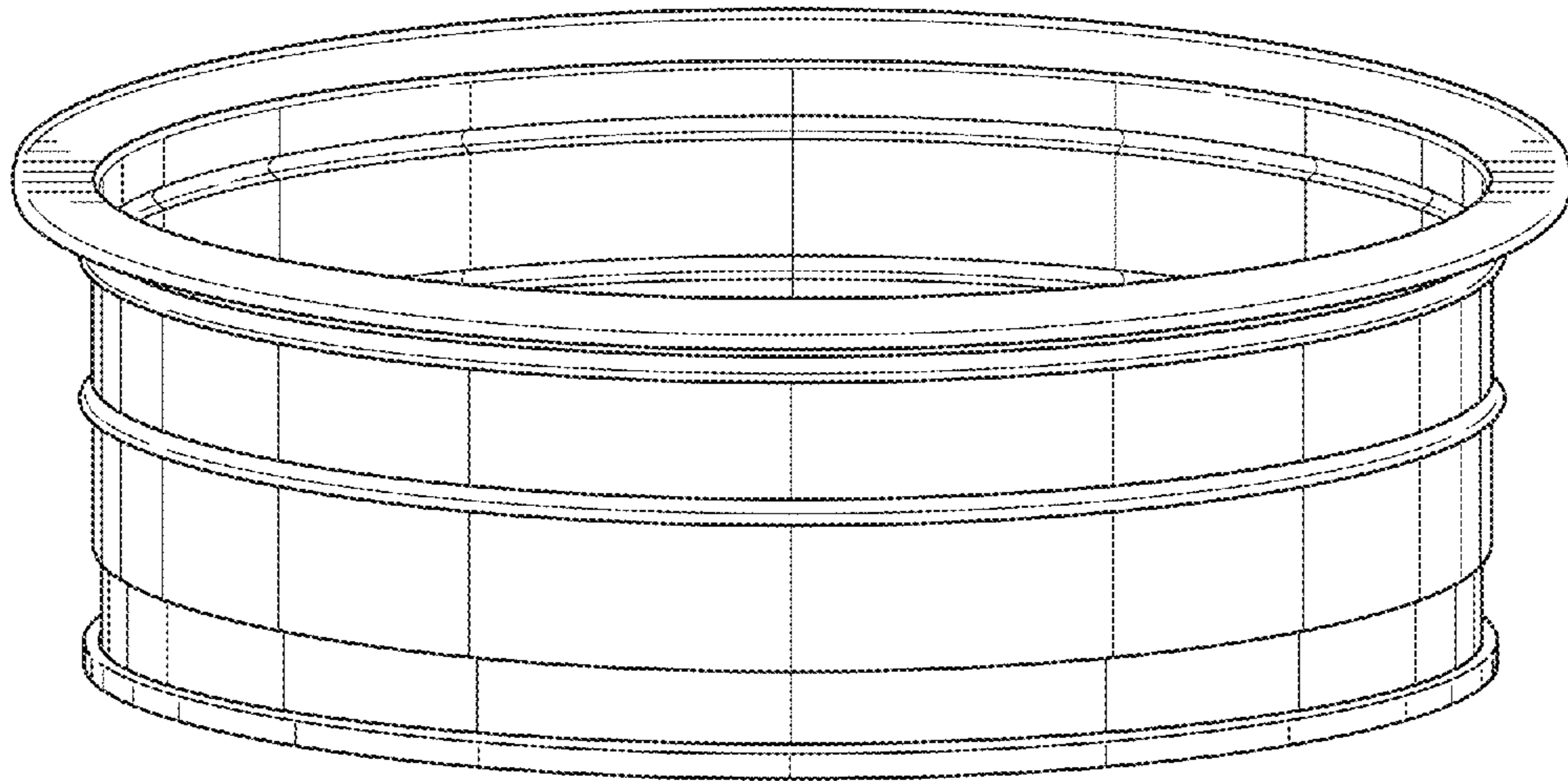


FIG. 2

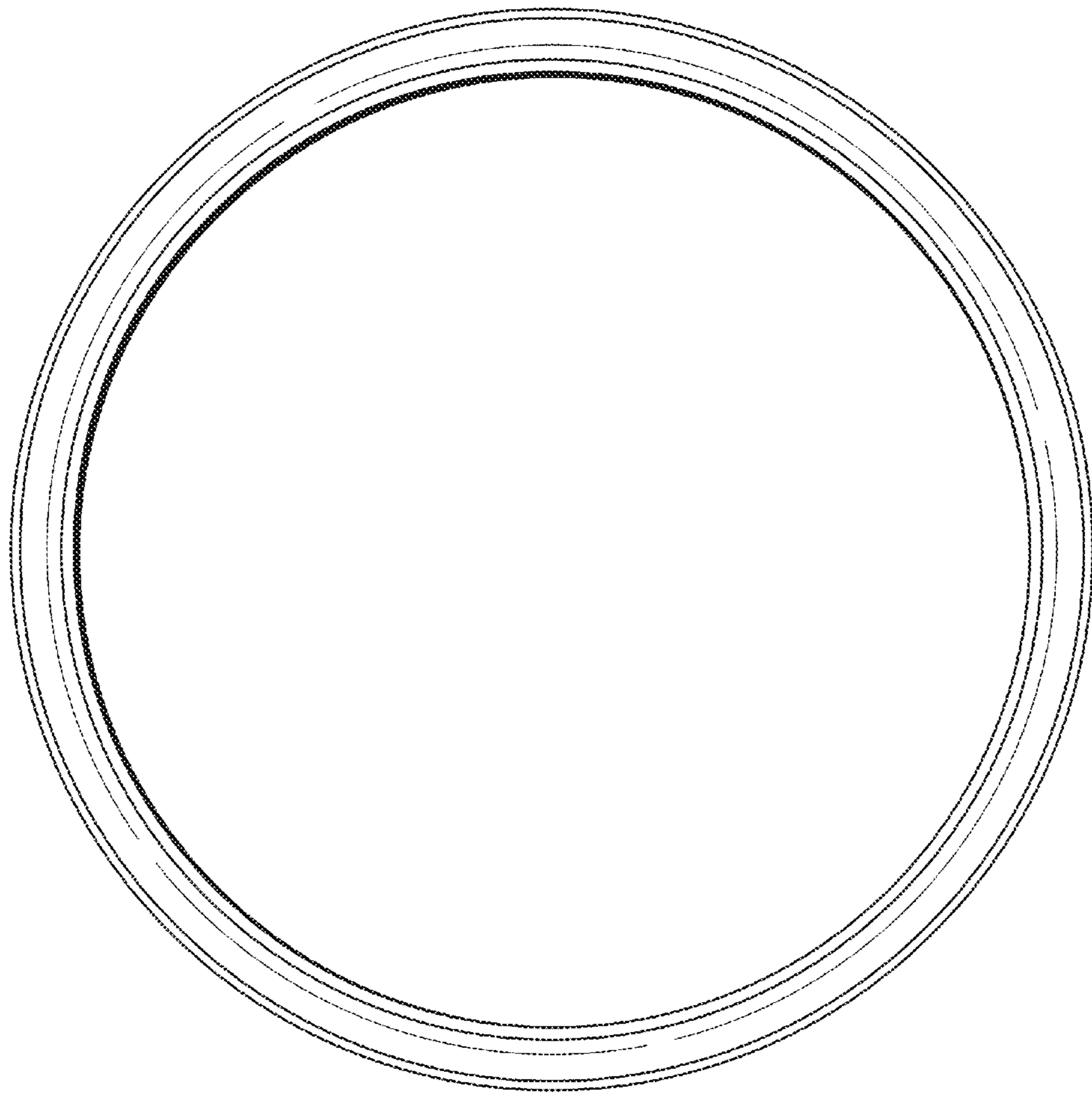


FIG. 3

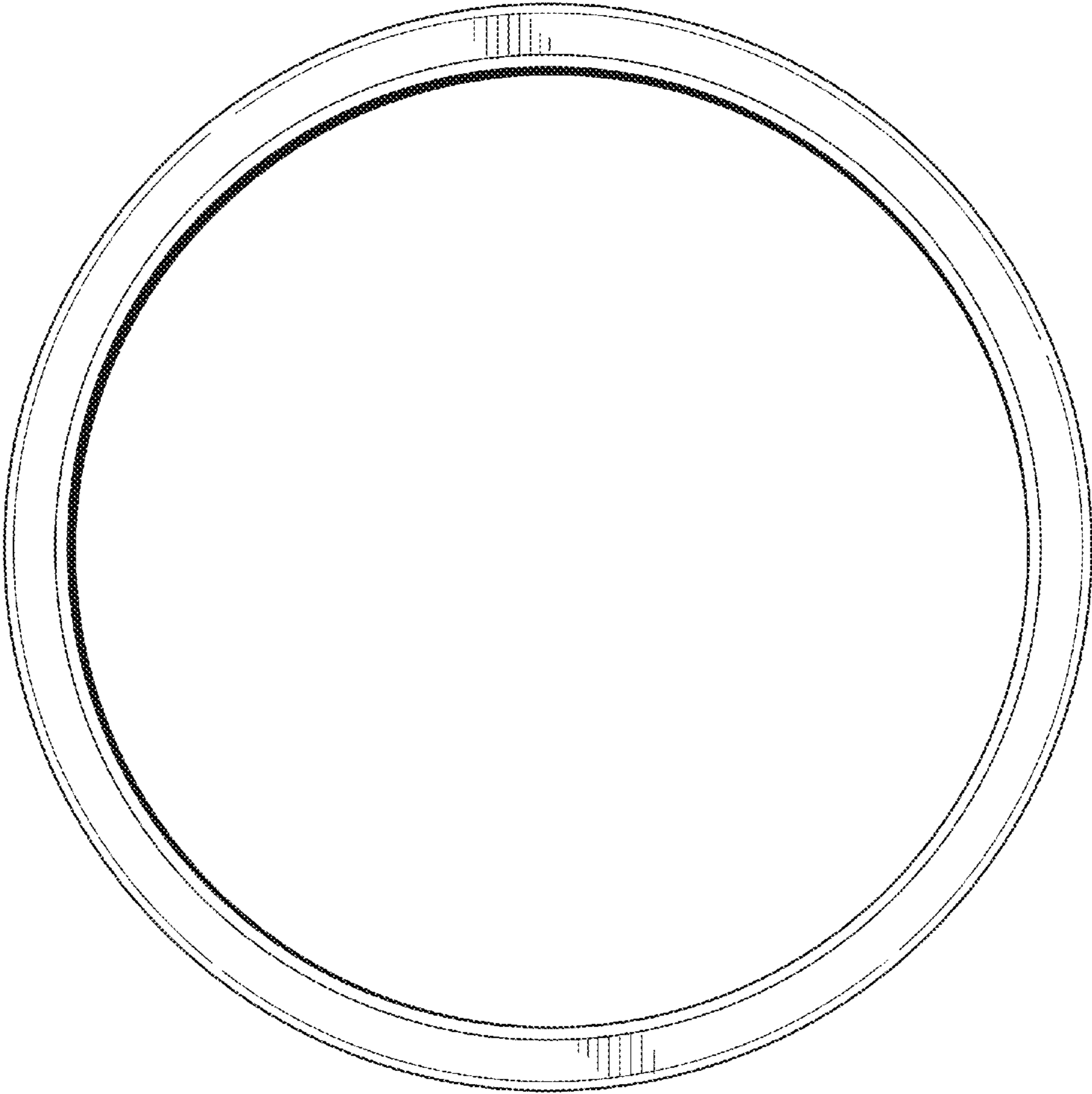


FIG. 4

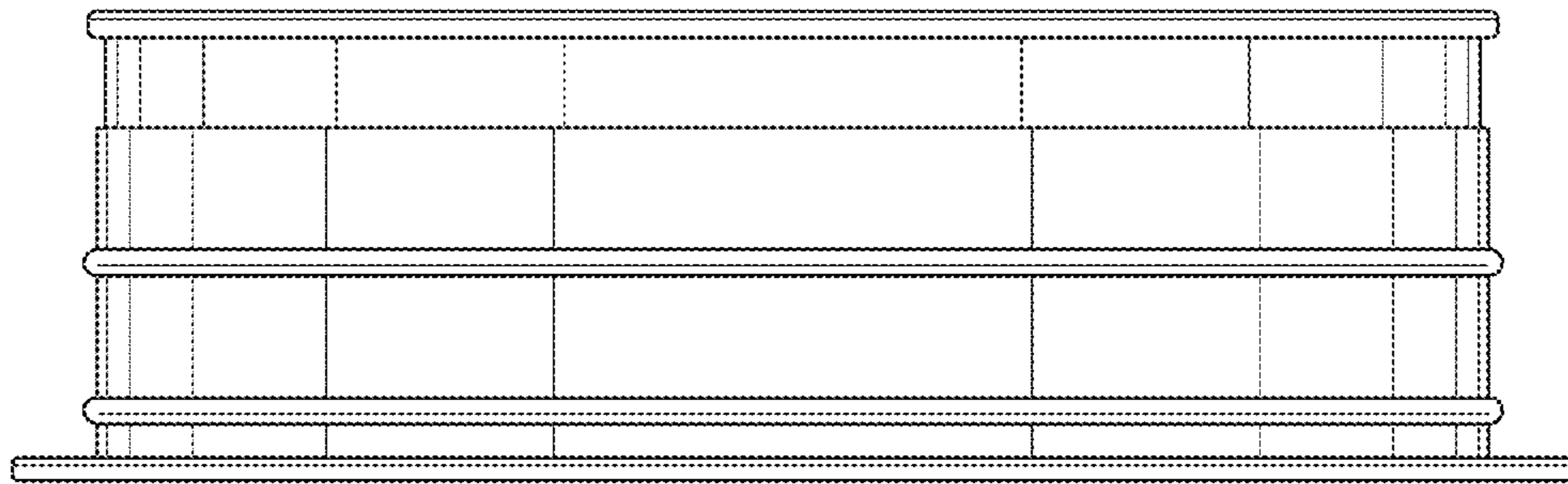


FIG. 5