



US00D728767S

(12) **United States Design Patent**
Blahnik et al.

(10) **Patent No.:** **US D728,767 S**
(45) **Date of Patent:** **** May 5, 2015**

(54) **HEADER AND FILTER ACCESS PANEL**

DESCRIPTION

(75) Inventors: **Mark J. Blahnik**, Sun Prairie, WI (US);
Sean Petersen, Evansville, WI (US)

(73) Assignee: **Sub-Zero, Inc.**, Madison, WI (US)

(**) Term: **14 Years**

(21) Appl. No.: **29/425,625**

(22) Filed: **Jun. 25, 2012**

(51) **LOC (10) Cl.** **23-04**

(52) **U.S. Cl.**
USPC **D23/365**

(58) **Field of Classification Search**

USPC D23/365, 209, 363, 358, 386, 354, 341,
D23/364, 303; 55/385.3, 502, 497, 506,
55/505, 521, 495, 422, 493, DIG. 30;
210/435, 130, 136, 248, 339, 448, 452,
210/497.1; D32/31; D15/5; 4/213

See application file for complete search history.

(56) **References Cited**

U.S. PATENT DOCUMENTS

5,158,346	A *	10/1992	Marks et al.	312/204
D368,307	S *	3/1996	Miller	D23/354
D405,519	S *	2/1999	Osendorf et al.	D23/365
D416,994	S *	11/1999	Kensok et al.	D23/358
6,266,239	B1 *	7/2001	Cook et al.	361/679.58
D455,826	S *	4/2002	Gillingham et al.	D23/365
6,848,226	B1 *	2/2005	Boyd et al.	52/220.8
7,507,271	B2 *	3/2009	Caesar et al.	55/495
7,650,725	B2 *	1/2010	Mead	52/263
D611,170	S *	3/2010	Hiner	D25/138
D614,754	S *	4/2010	DeFelice et al.	D23/365
D629,882	S *	12/2010	Nguyen	D23/386
D663,020	S *	7/2012	Purnell	D23/386

* cited by examiner

Primary Examiner — David Muller

(74) *Attorney, Agent, or Firm* — Bell & Manning, LLC

(57) **CLAIM**

We claim the ornamental design for a header and filter access panel, as shown and described.

FIG. 1 is a perspective view of a first embodiment of a header and filter access panel showing our new design configured for a right side mounting;

FIG. 2 is a front view of the header and filter access panel of FIG. 1;

FIG. 3 is a back view of the header and filter access panel of FIG. 1;

FIG. 4 is a left side view of the header and filter access panel of FIG. 1;

FIG. 5 is a right side view of the header and filter access panel of FIG. 1;

FIG. 6 is a top view of the header and filter access panel of FIG. 1;

FIG. 7 is a bottom view of the header and filter access panel of FIG. 1;

FIG. 8 is a perspective view of a second embodiment of a header and filter access panel showing our new design configured for a left side mounting;

FIG. 9 is a front view of the header and filter access panel of FIG. 8;

FIG. 10 is a back view of the header and filter access panel of FIG. 8;

FIG. 11 is a left side view of the header and filter access panel of FIG. 8;

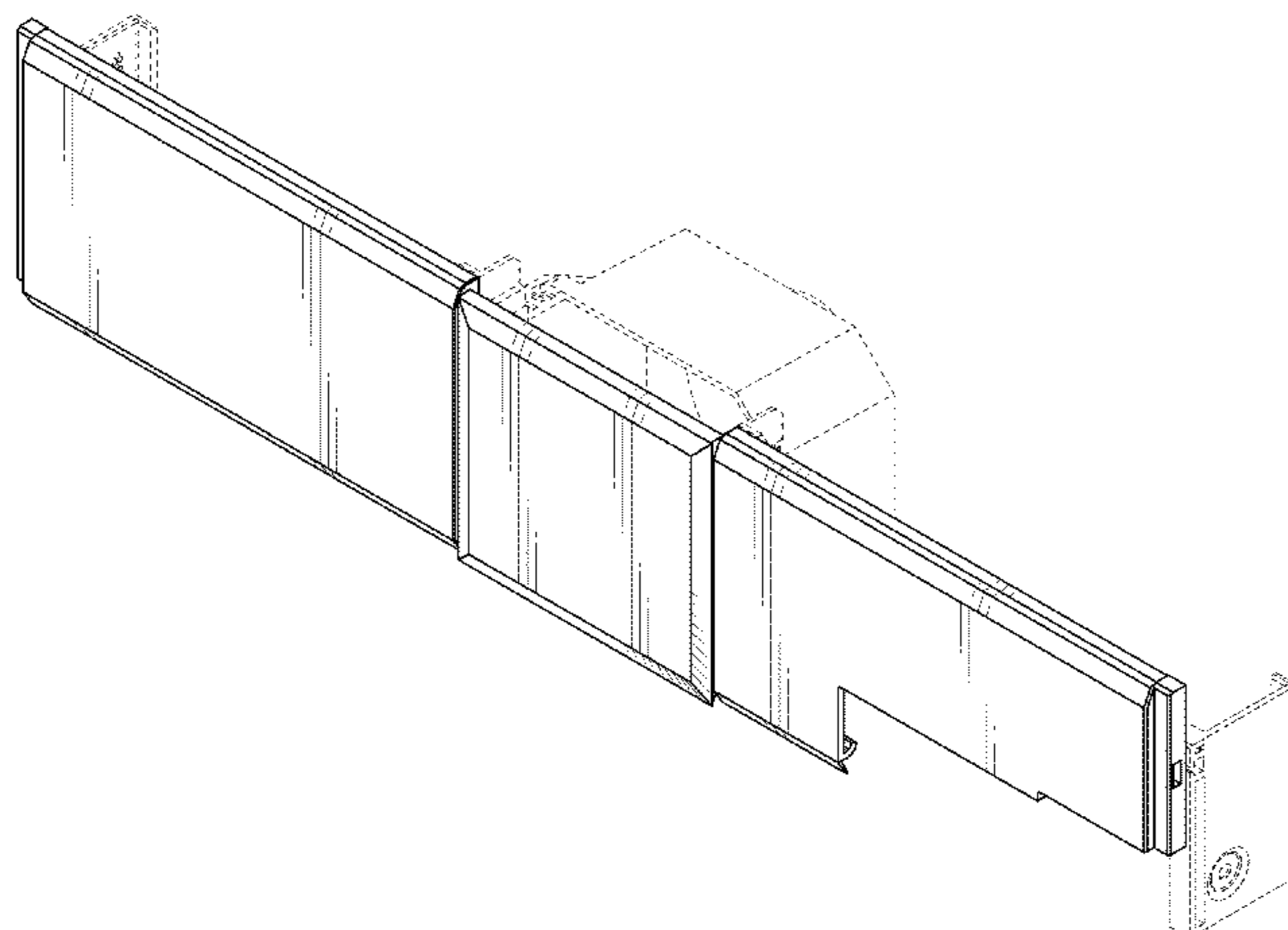
FIG. 12 is a right side view of the header and filter access panel of FIG. 8;

FIG. 13 is a top view of the header and filter access panel of FIG. 8; and,

FIG. 14 is a bottom view of the header and filter access panel of FIG. 8.

The broken lines in FIGS. 1 to 14 are included for the purpose of illustrating portions of the header and filter access panel that form no part of the claimed design. None of the broken lines form a part of the claimed design. The side views of the header and filter access panel shown in FIGS. 4, 5, 11, and 12 are shown twice the size relative to the header and filter access panel shown in FIGS. 1-3, 6-10, and 13-14.

1 Claim, 8 Drawing Sheets



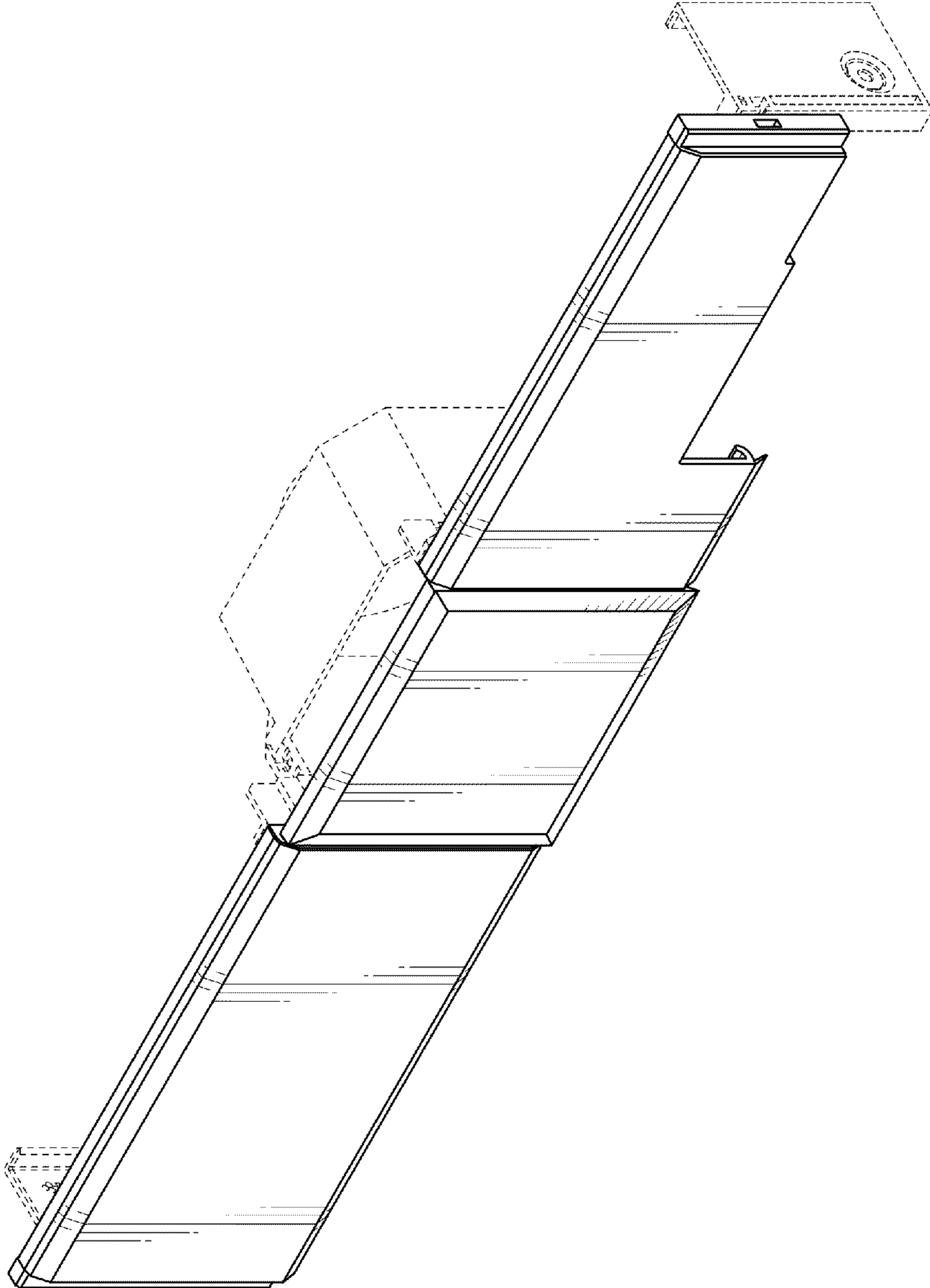


FIG. 1

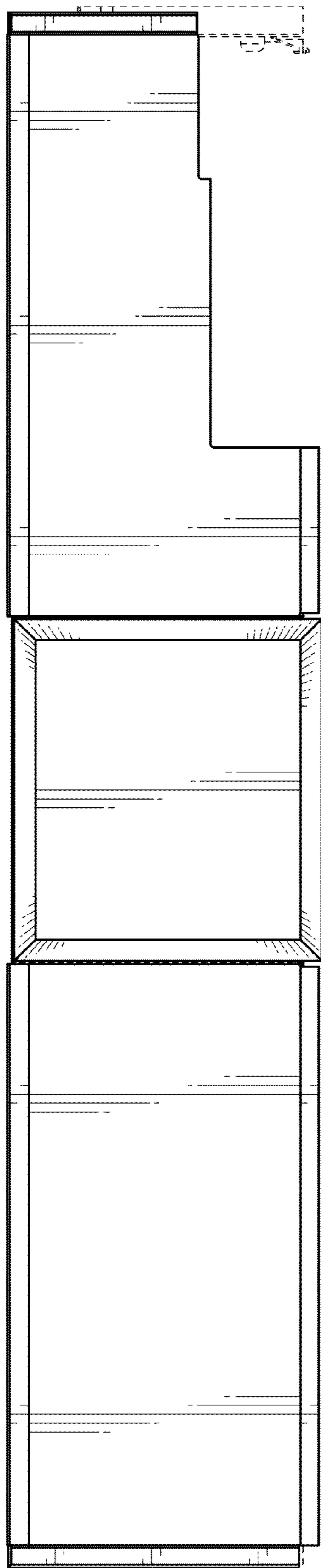


FIG. 2

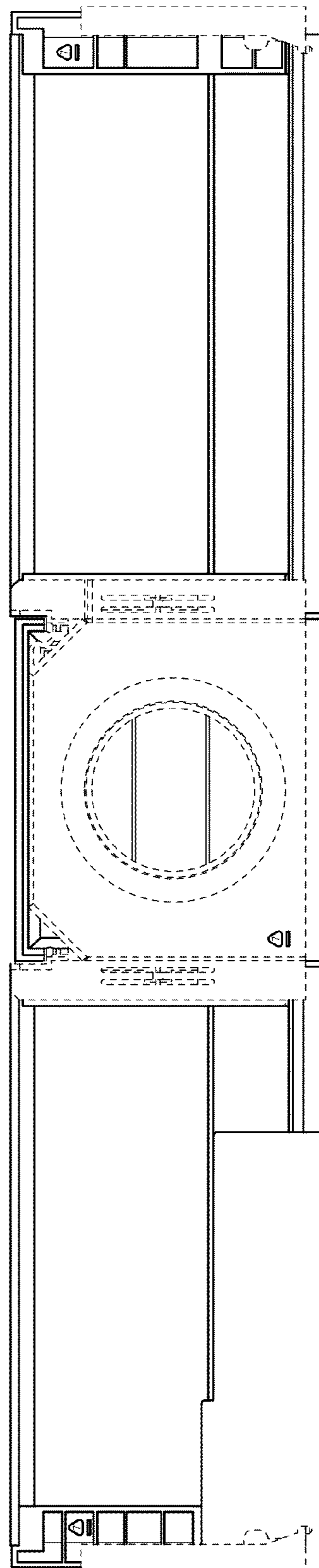


FIG. 3

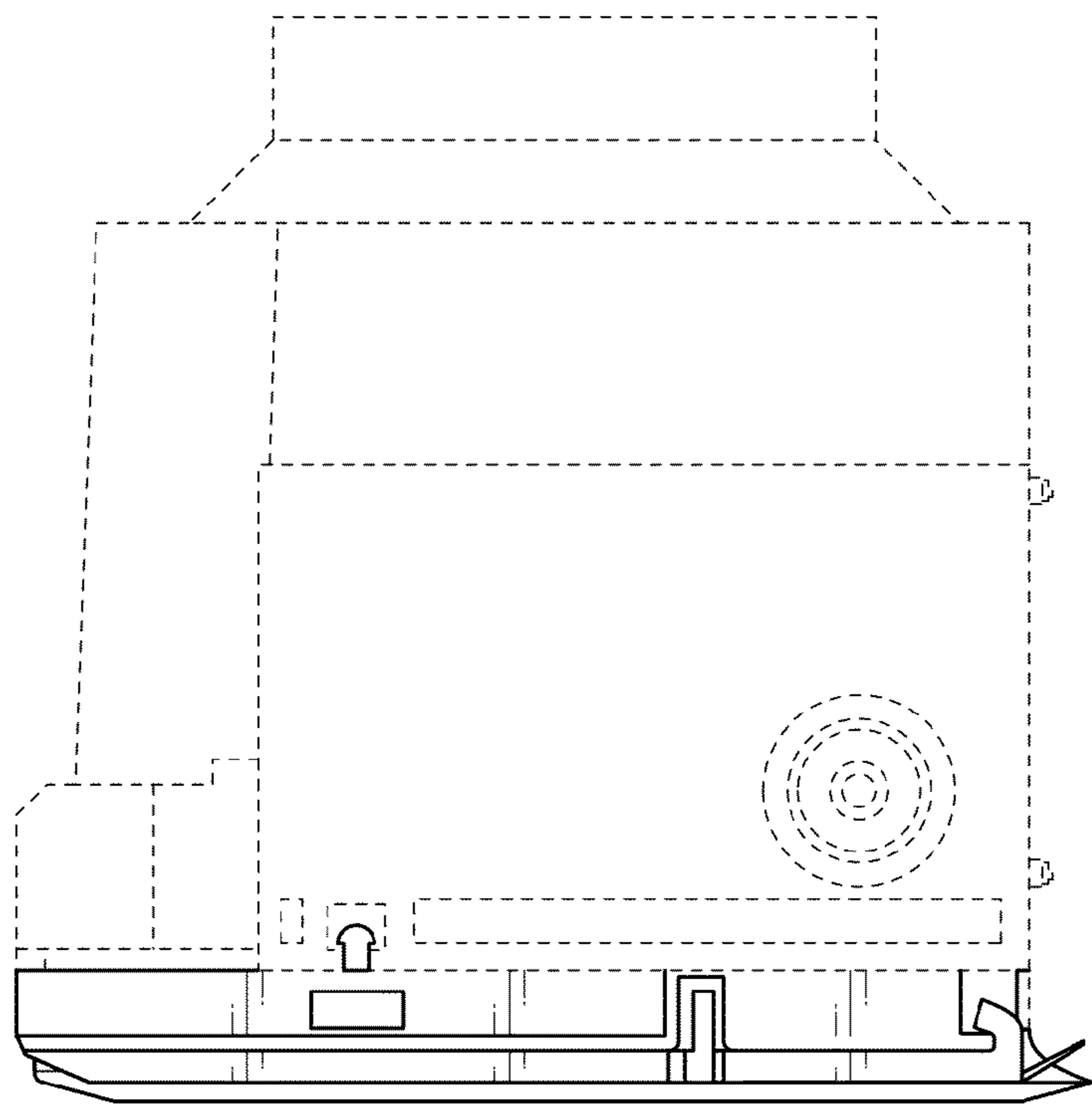


FIG. 5

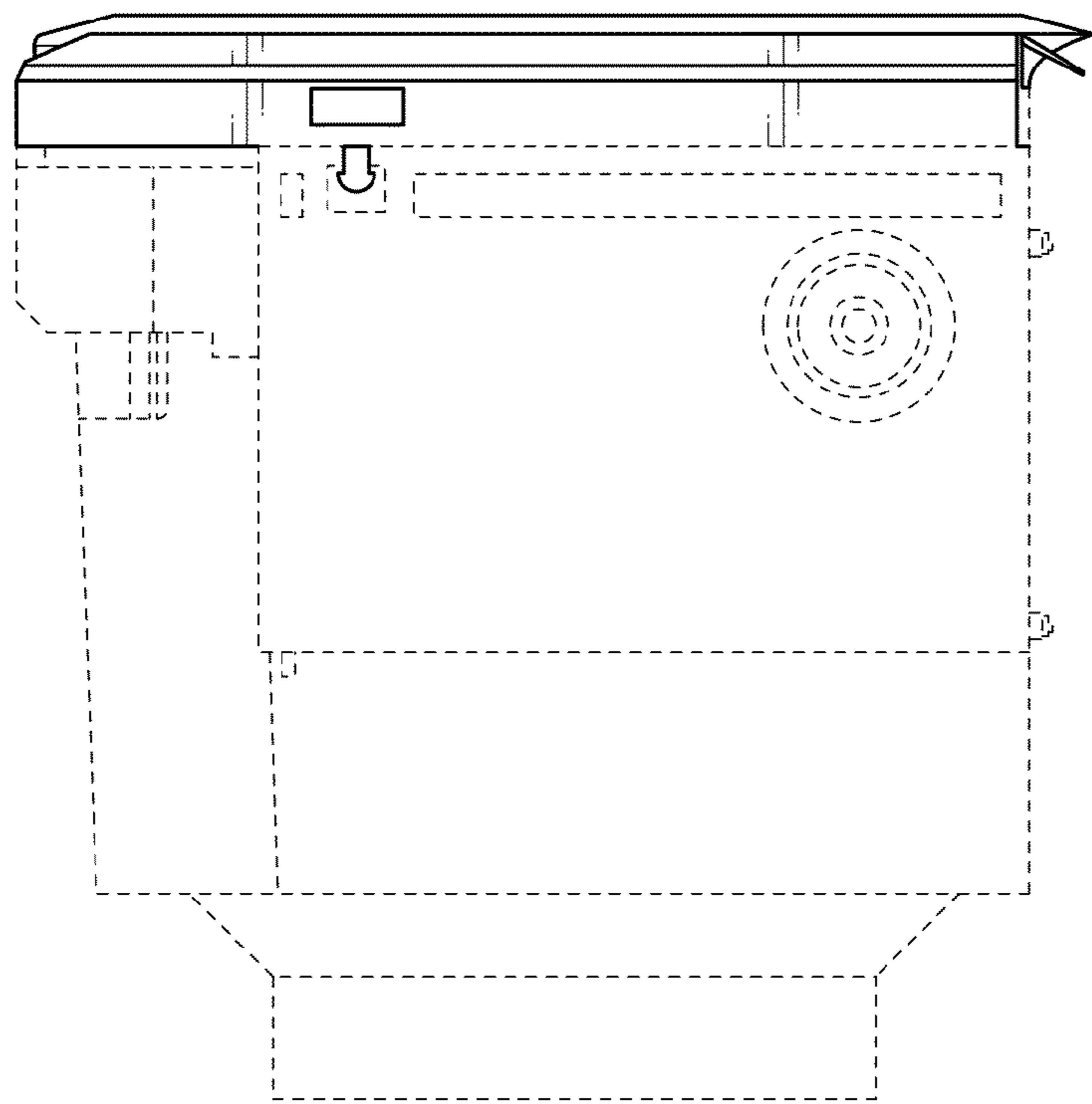


FIG. 4

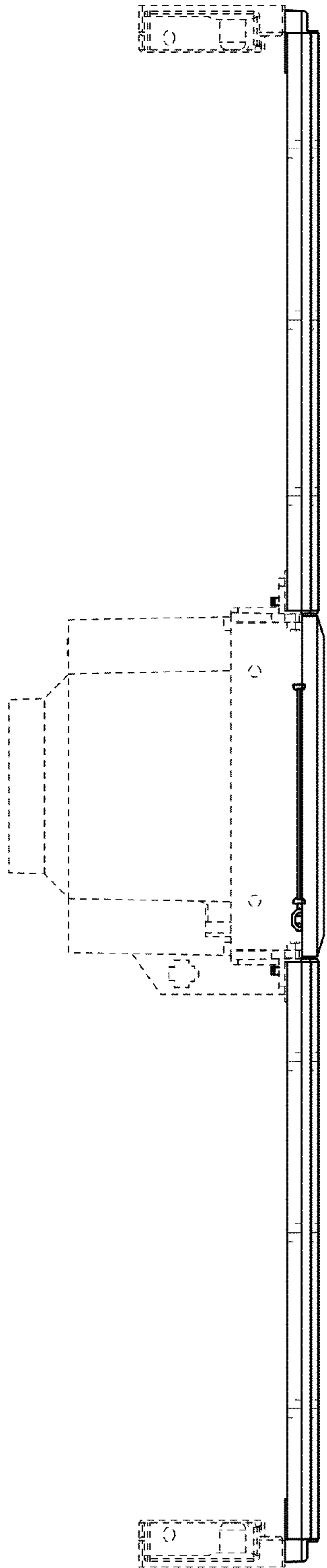


FIG. 6

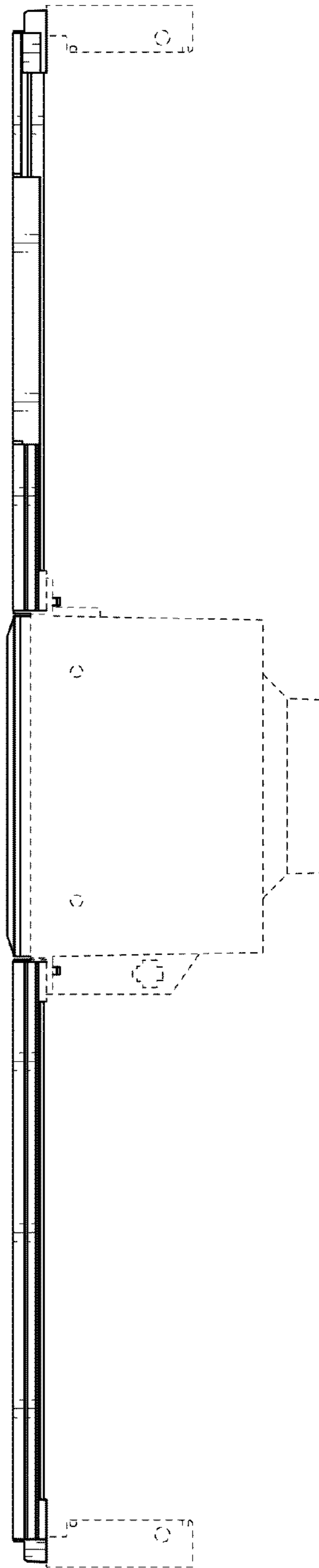


FIG. 7

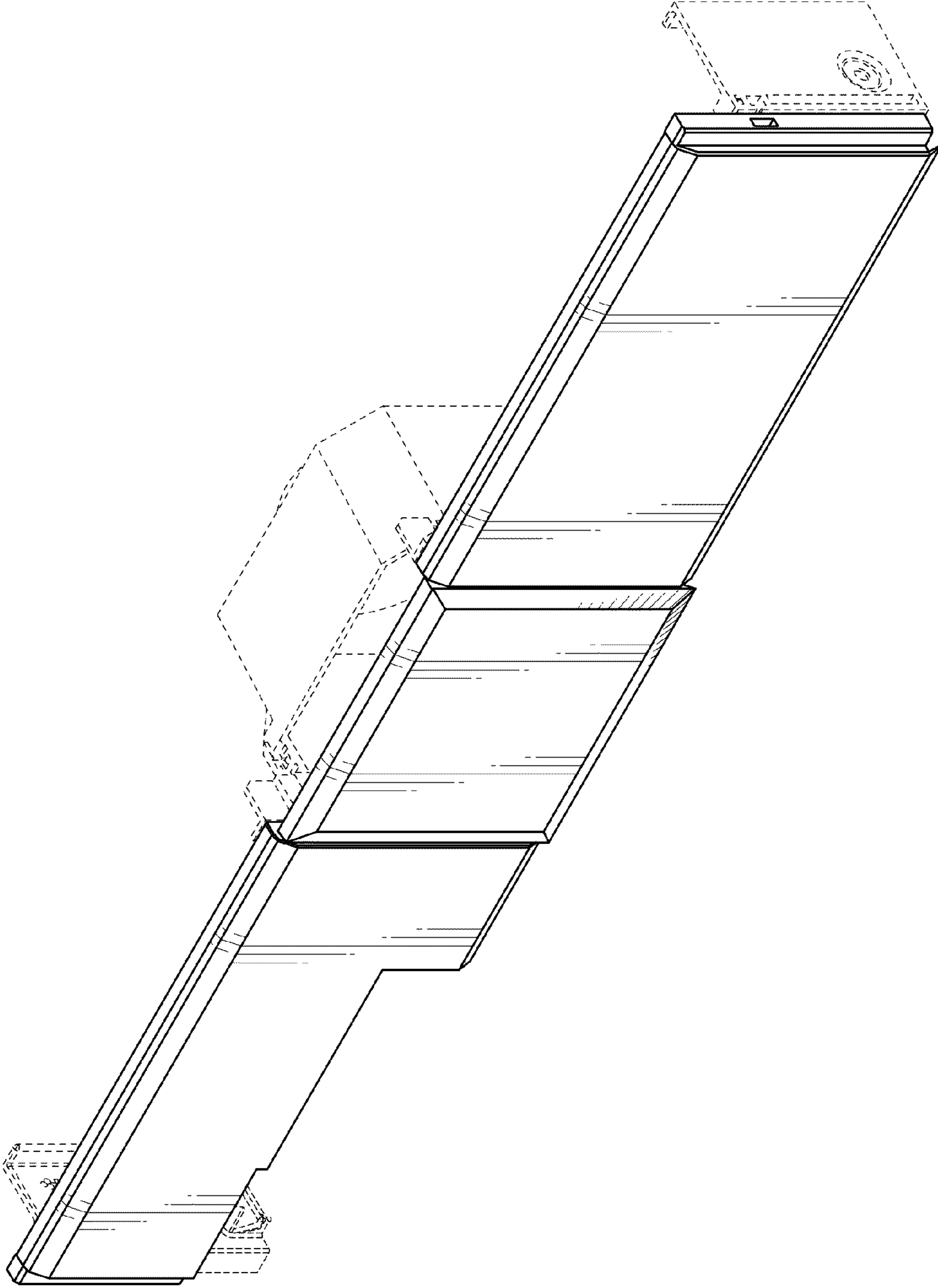


FIG. 8

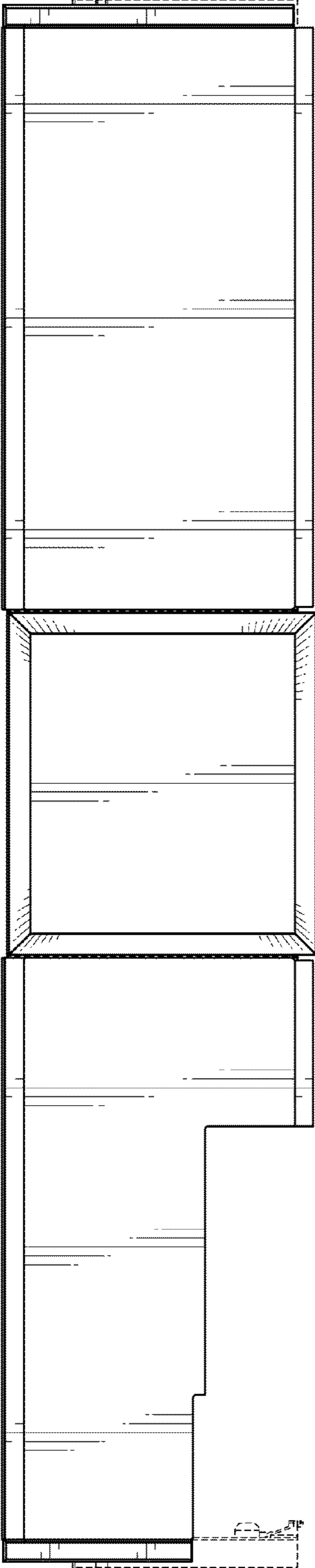


FIG. 9

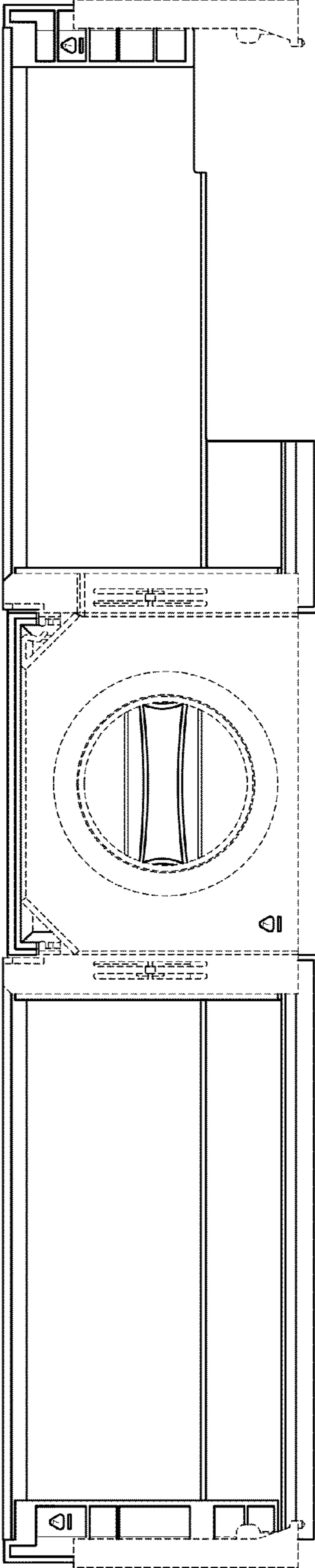


FIG. 10

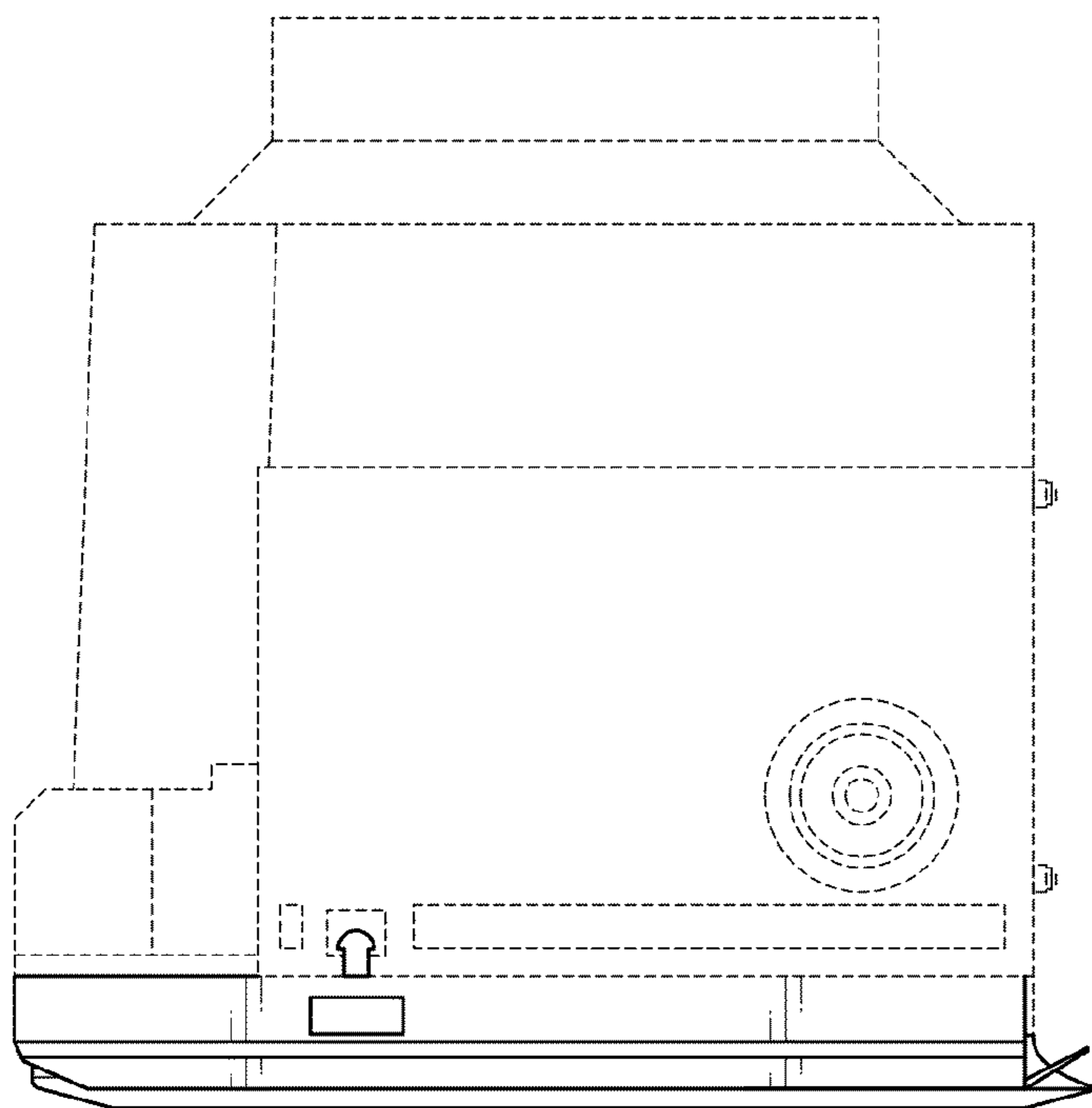


FIG. 12

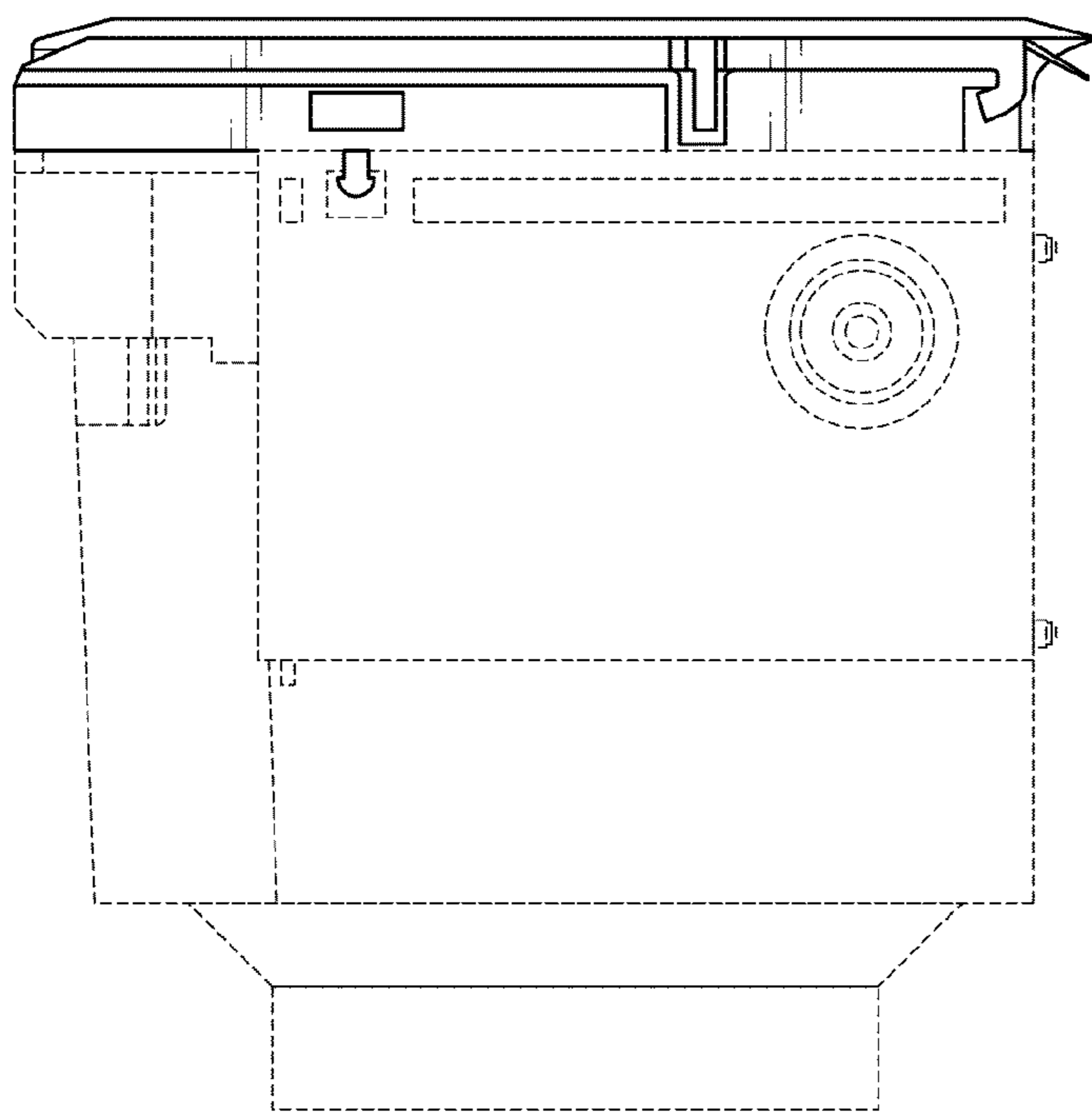


FIG. 11

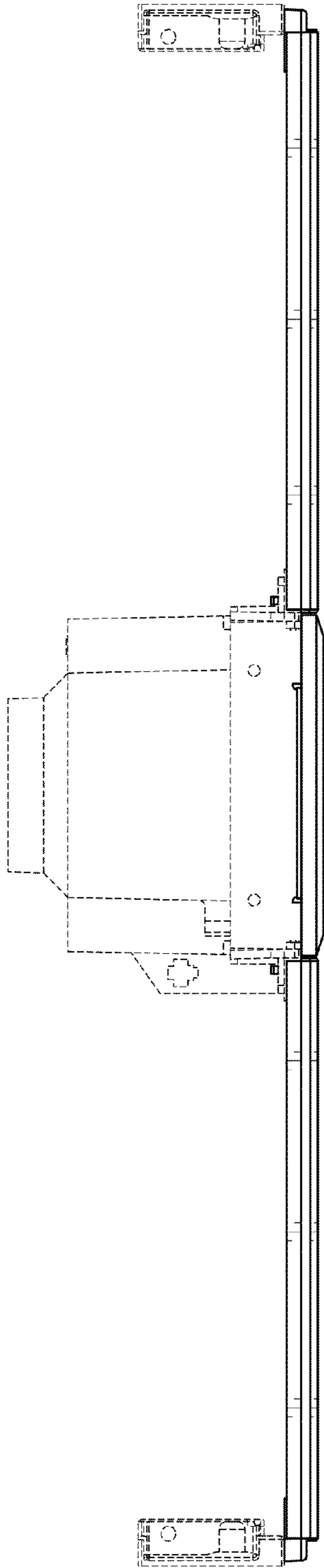


FIG. 13

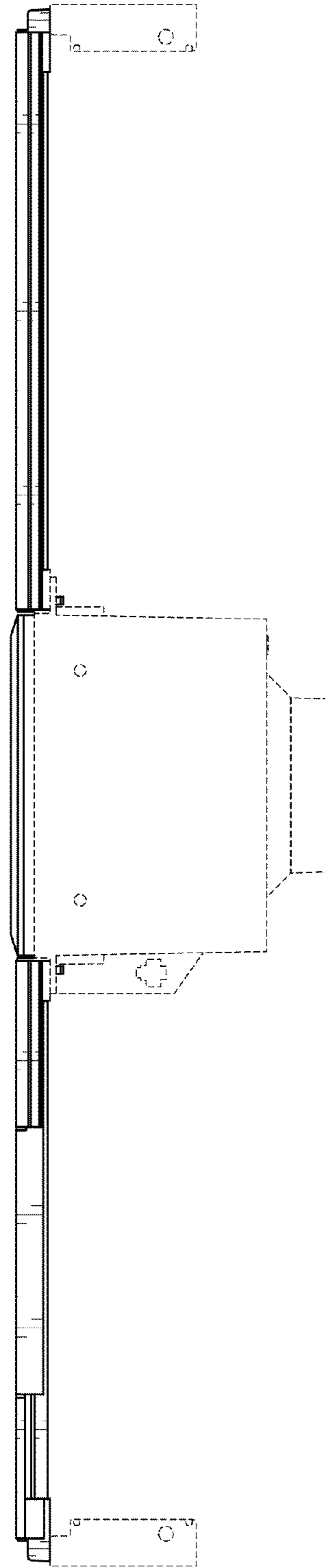


FIG. 14