

US00D728764S

(12) **United States Design Patent**
Rosene et al.

(10) **Patent No.:** **US D728,764 S**
(45) **Date of Patent:** **** May 5, 2015**

(54) **FLOATING HEATING DEVICE FOR POOLS AND SPAS**

(71) Applicant: **Solar Sun Rings, Inc.**, Temecula, CA (US)

(72) Inventors: **Lora Rosene**, Temecula, CA (US);
Richard Rosene, Temecula, CA (US)

(73) Assignee: **Solar Sun Rings, Inc.**, Temecula, CA (US)

(**) Term: **14 Years**

(21) Appl. No.: **29/507,661**

(22) Filed: **Oct. 30, 2014**

(51) **LOC (10) Cl.** **23-03**

(52) **U.S. Cl.**
USPC **D23/316**

(58) **Field of Classification Search**
USPC D23/314, 315, 316; 126/565, 566, 561;
4/493, 498, 499, 580, 588, 503-504,
4/496-497; D13/102, 101; D24/201,
D24/203-205; D25/2
See application file for complete search history.

(56) **References Cited**

U.S. PATENT DOCUMENTS

4,146,015 A * 3/1979 Acker 126/565
4,222,366 A * 9/1980 Acker 126/565
4,256,087 A * 3/1981 Sowers 126/565

4,270,232 A * 6/1981 Ballew 4/498
4,284,060 A * 8/1981 McCluskey 126/565
4,366,806 A * 1/1983 Acker 126/565
D579,570 S * 10/2008 Rosene et al. D24/205
D585,996 S * 2/2009 Rosene et al. D24/205
7,603,727 B2 * 10/2009 Rosene et al. 4/499
D605,110 S * 12/2009 Le Gros D13/102
D708,127 S * 7/2014 Secard D13/102
2003/0188737 A1 * 10/2003 Swanljung 126/565
2006/0005830 A1 * 1/2006 Rosene et al. 126/565
2006/0283443 A1 * 12/2006 Rosene et al. 126/565
2011/0146659 A1 * 6/2011 Rosene et al. 126/565
2012/0160231 A1 * 6/2012 Rosene et al. 126/565

* cited by examiner

Primary Examiner — T. Chase Nelson

Assistant Examiner — Ania Aman

(74) *Attorney, Agent, or Firm* — Martino Patent Law at the Law Offices of Sepehr Daghighian

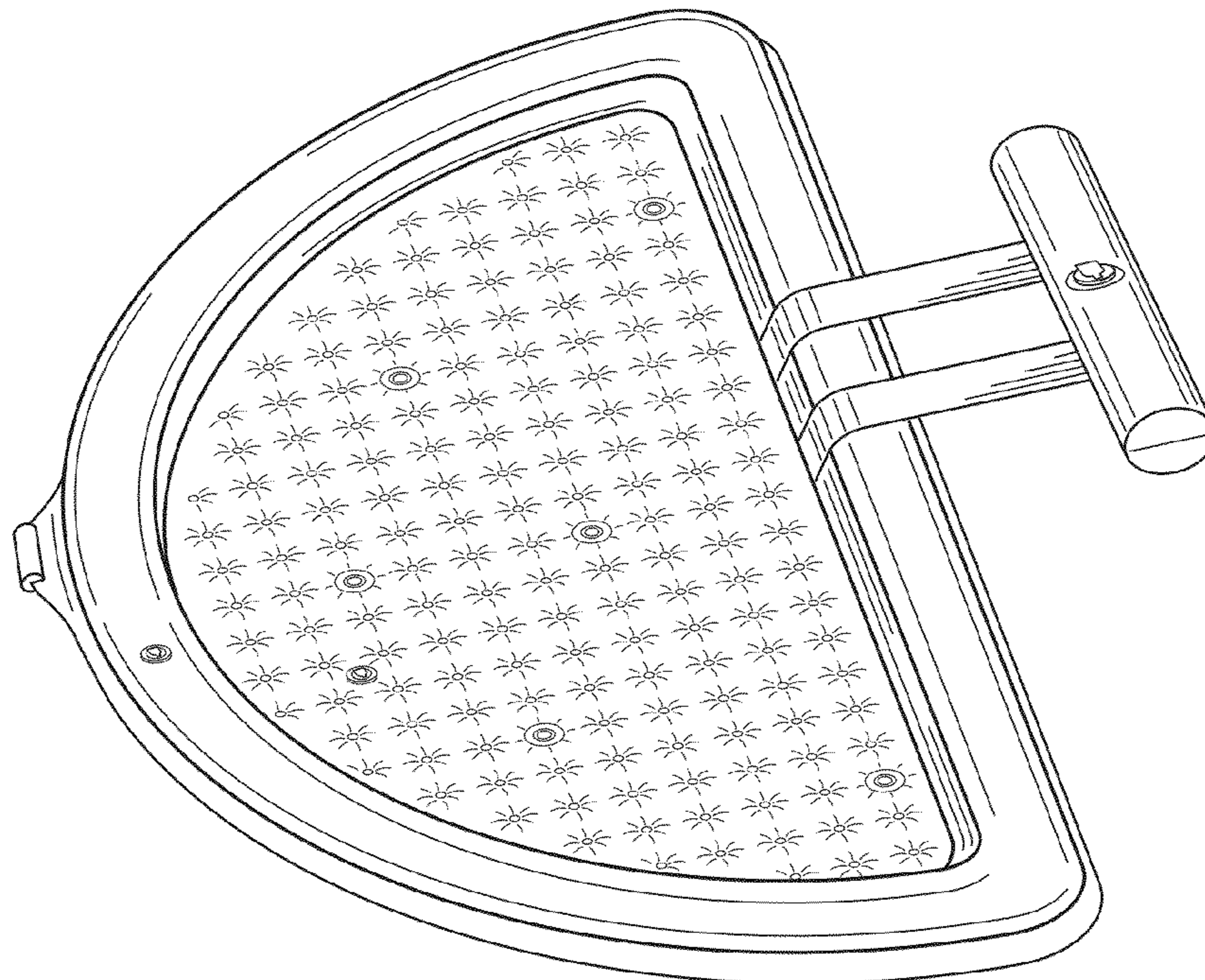
(57) **CLAIM**

The ornamental design for a floating heating device for pools and spas, as shown and described.

DESCRIPTION

FIG. 1 is a perspective view of a floating heating device for pools and spas embodying my new design; FIG. 2 is a front elevation view of FIG. 1; FIG. 3 is a rear elevation view of FIG. 1; FIG. 4 is a right elevation view of FIG. 1; FIG. 5 is a left elevation view of FIG. 1; FIG. 6 is a top plan view of FIG. 1; and, FIG. 7 is a bottom plan view of FIG. 1.

1 Claim, 3 Drawing Sheets



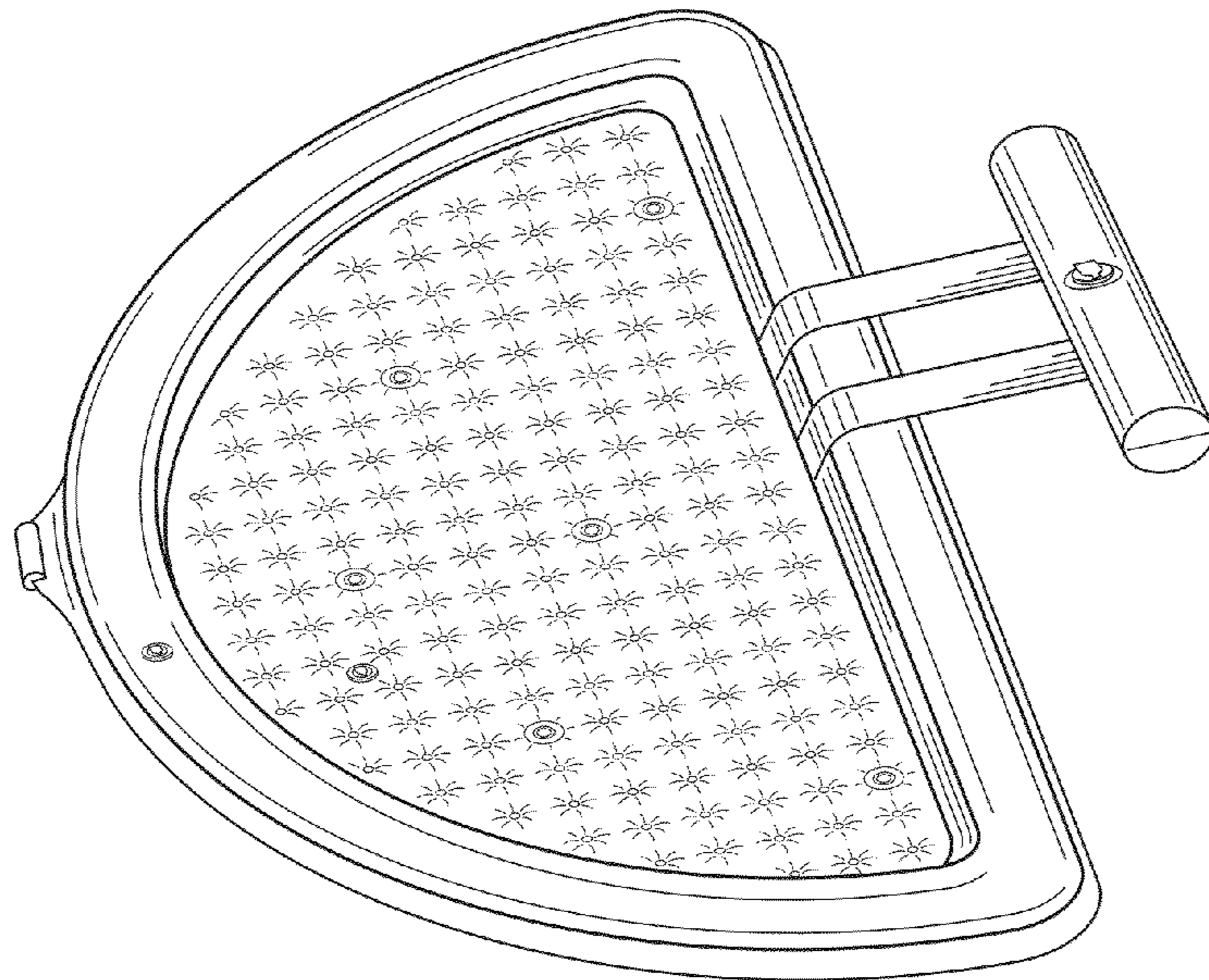


FIG. 1

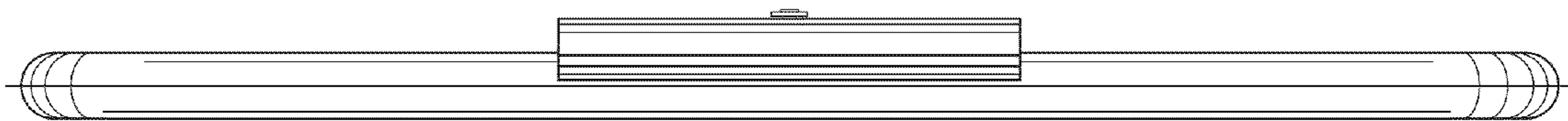


FIG. 2

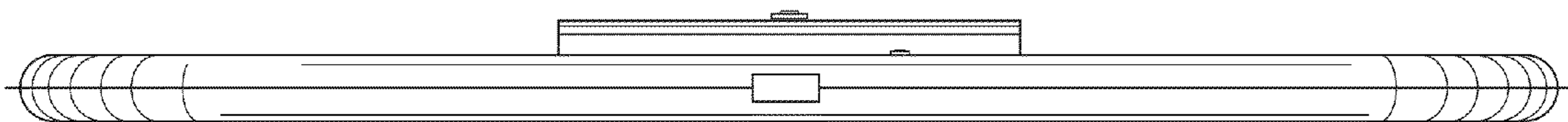


FIG. 3

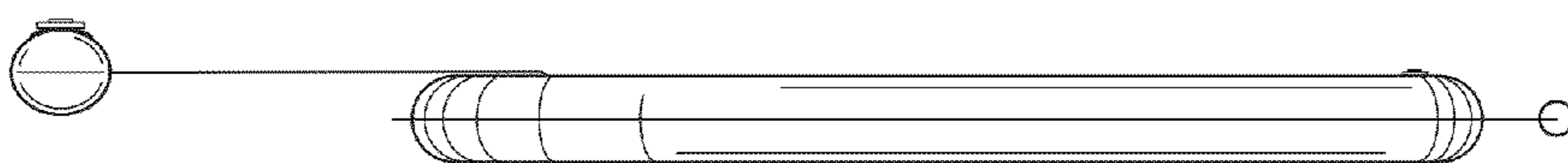


FIG. 4

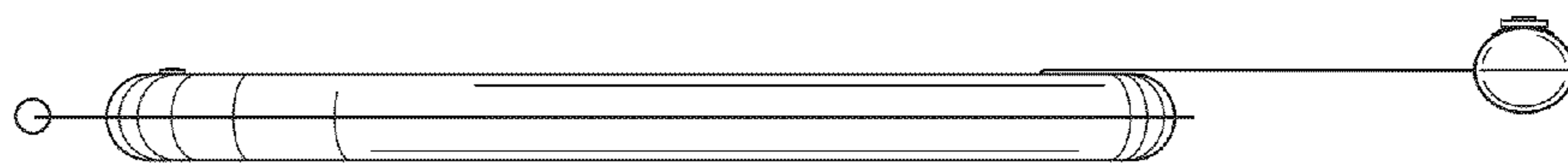


FIG. 5

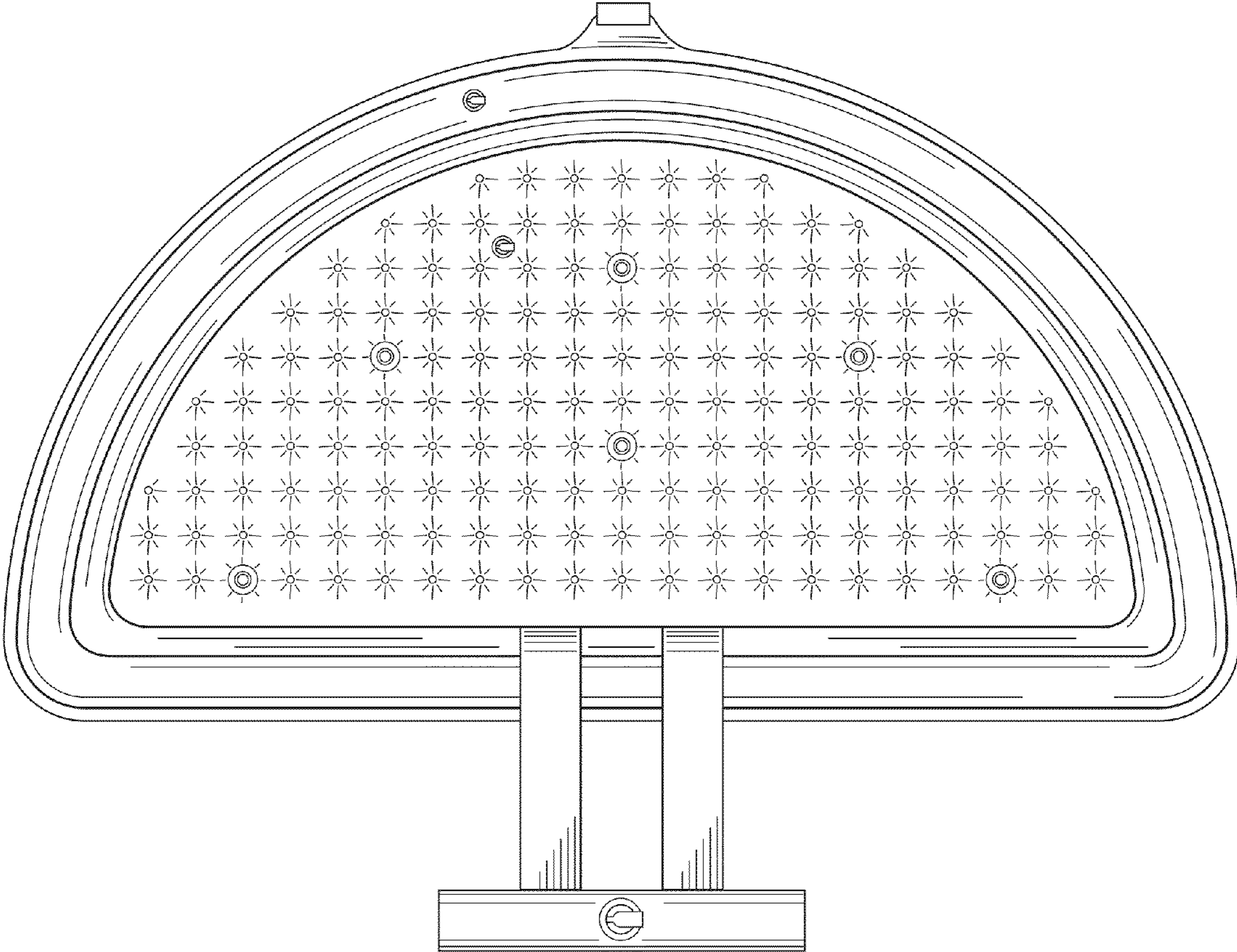


FIG. 6

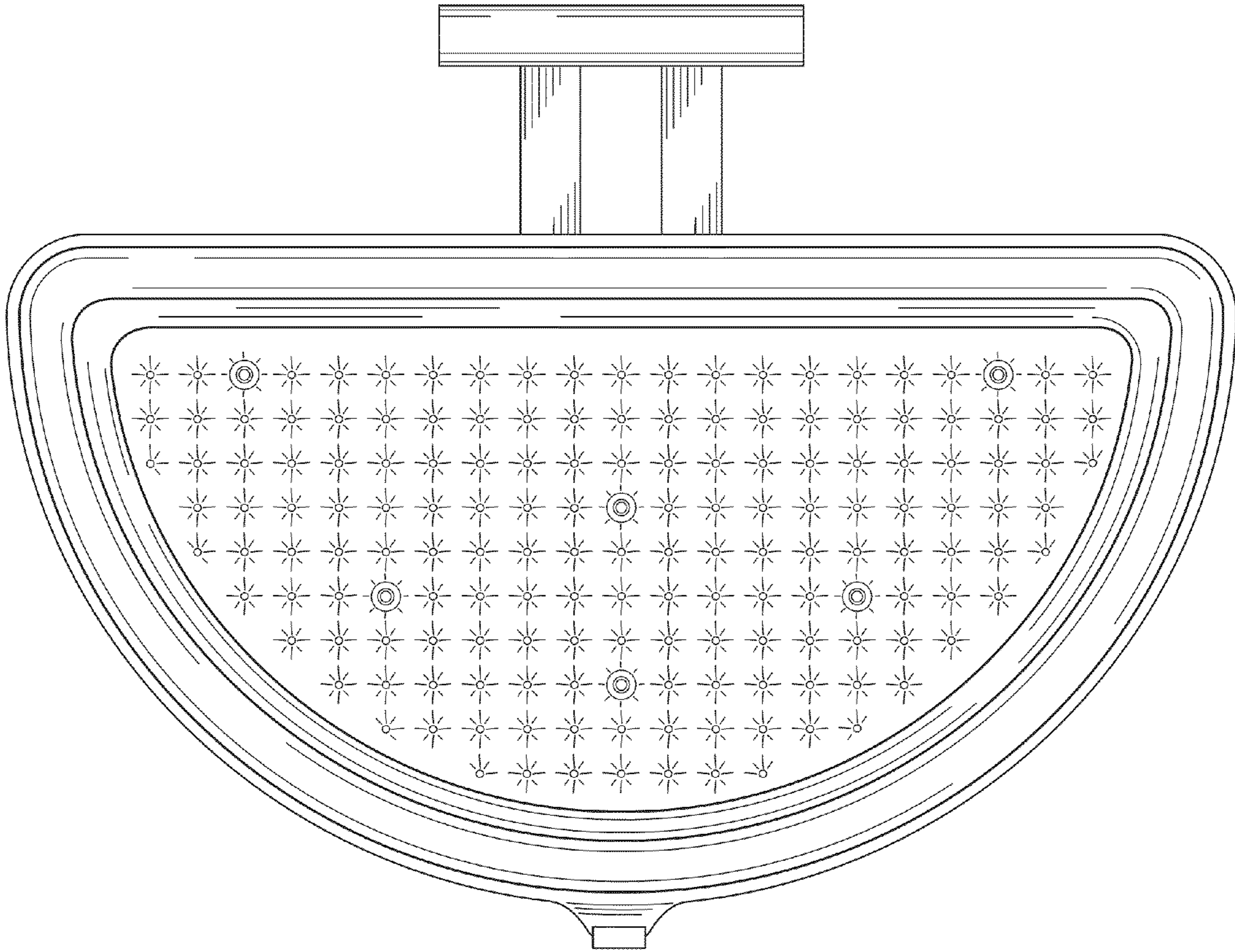


FIG. 7