



US00D728763S

(12) **United States Design Patent**
Nelson et al.

(10) **Patent No.:** **US D728,763 S**
(45) **Date of Patent:** **** May 5, 2015**

(54) **TOILET ASSEMBLY**

(71) Applicant: **LiftSeat Corporation**, Lombard, IL
(US)
(72) Inventors: **Jeffrey Cogan Nelson**, Chicago, IL
(US); **Gregory Charles Kilgore**, Aurora,
IL (US)

(73) Assignee: **LiftSeat Corporation**, Lombard, IL
(US)

(**) Term: **14 Years**

(21) Appl. No.: **29/464,492**

(22) Filed: **Aug. 16, 2013**

(51) **LOC (10) Cl.** **23-02**

(52) **U.S. Cl.**
USPC **D23/299**

(58) **Field of Classification Search**
USPC D23/299, 296, 303, 309, 311;
4/234–241, 902, 312, 466, 449, 471,
4/460, 667, 480, 448; D6/663–664
See application file for complete search history.

(56) **References Cited**

U.S. PATENT DOCUMENTS

6,035,462	A *	3/2000	Bennett et al.	4/667
6,507,961	B1 *	1/2003	Ming-Hwa	4/667
6,598,246	B1 *	7/2003	Shou	4/667
D482,765	S *	11/2003	Ming-Hwa	D23/309
8,556,347	B2 *	10/2013	Lin et al.	297/334

* cited by examiner

Primary Examiner — Robert Delehanty
(74) *Attorney, Agent, or Firm* — Moazzam & Associates,
LLC

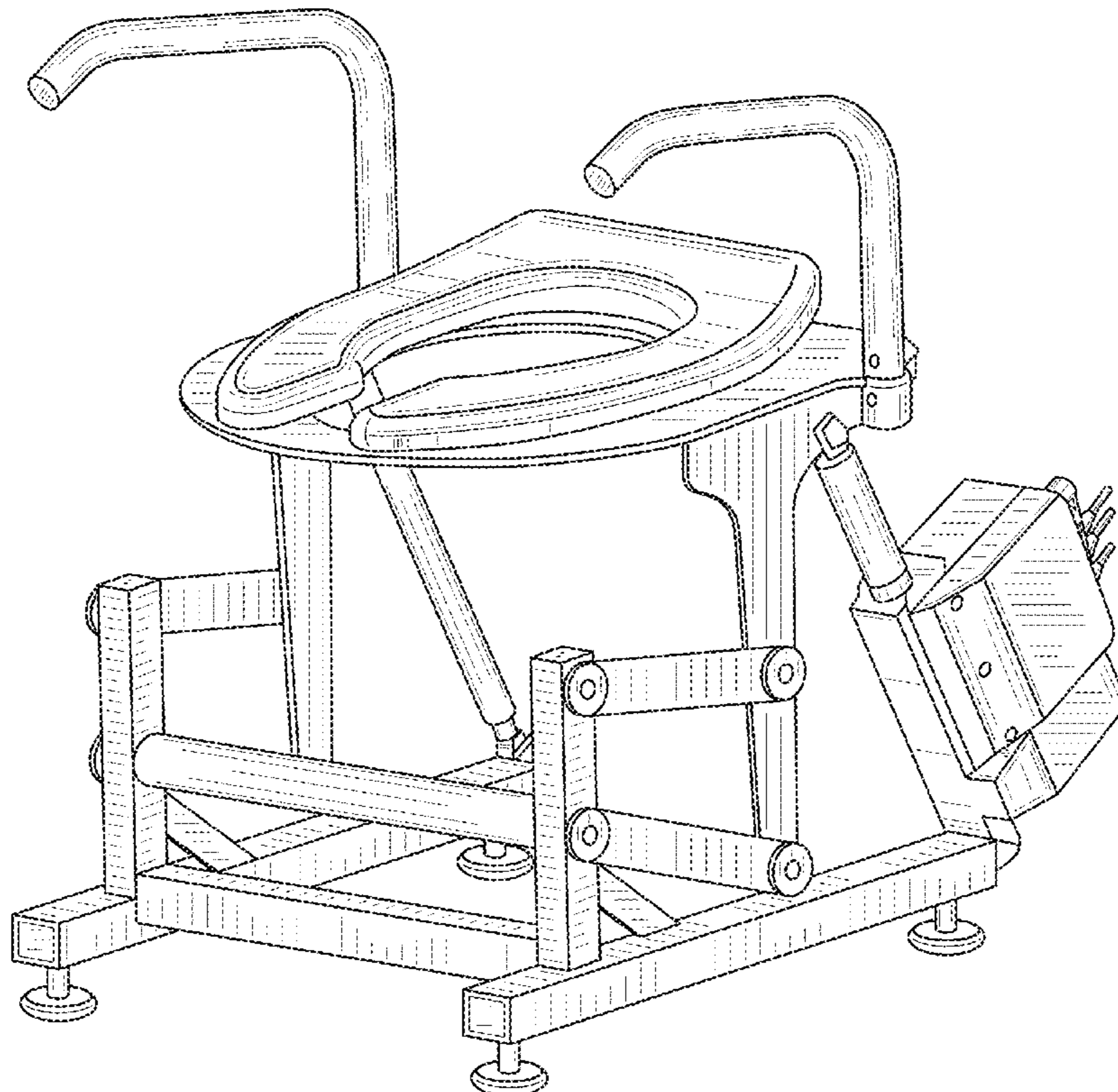
(57) **CLAIM**

The ornamental design for a toilet assembly, as shown and described.

DESCRIPTION

FIG. 1 is a front perspective view of a toilet assembly showing our new design; FIG. 2 is a front elevational view thereof; and FIG. 3 is a back elevational view thereof; and FIG. 4 is a left side elevational view thereof; FIG. 5 is a right side elevational view thereof; and, FIG. 6 is a top plan view thereof.

1 Claim, 6 Drawing Sheets



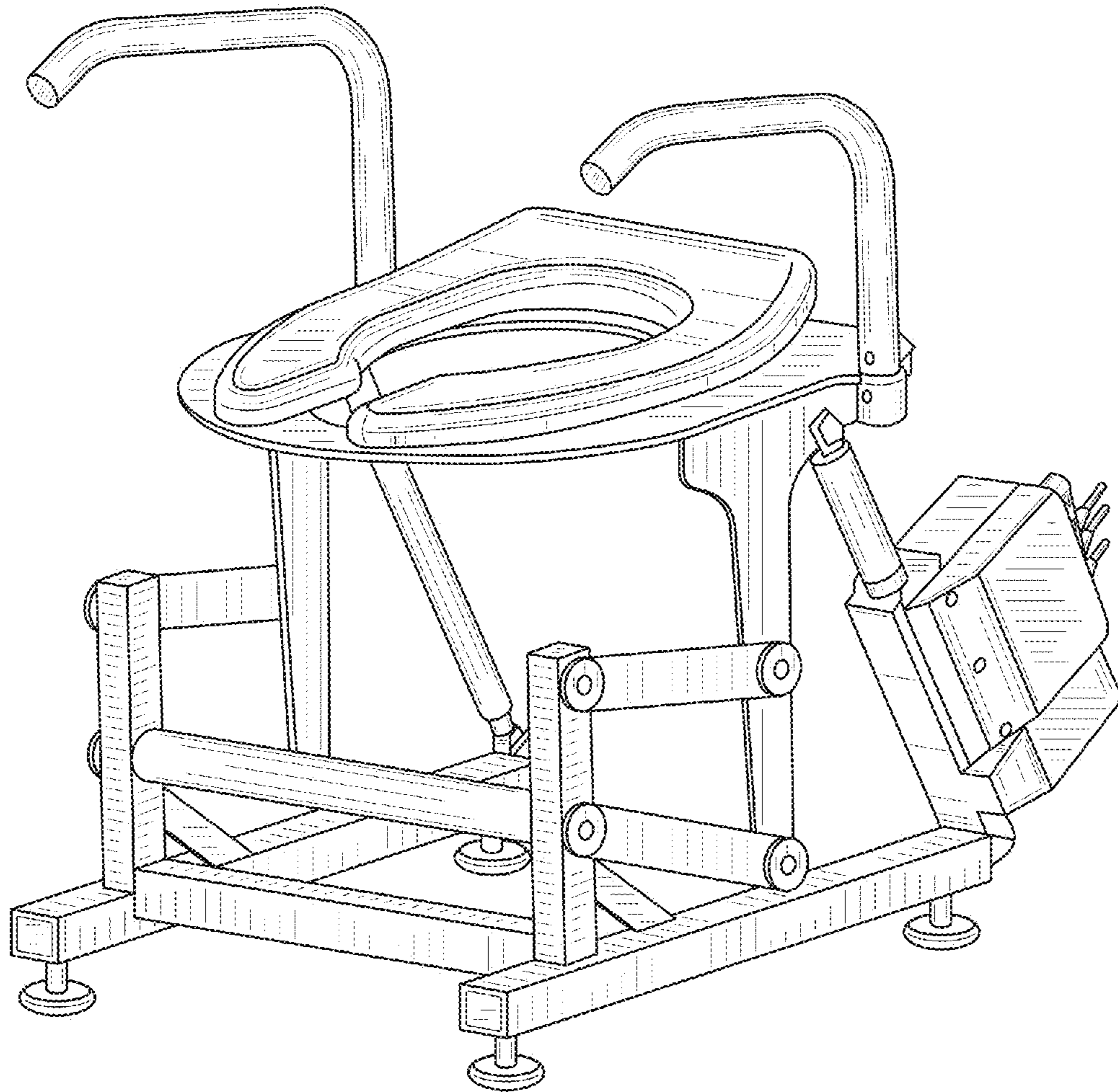


FIG. 1

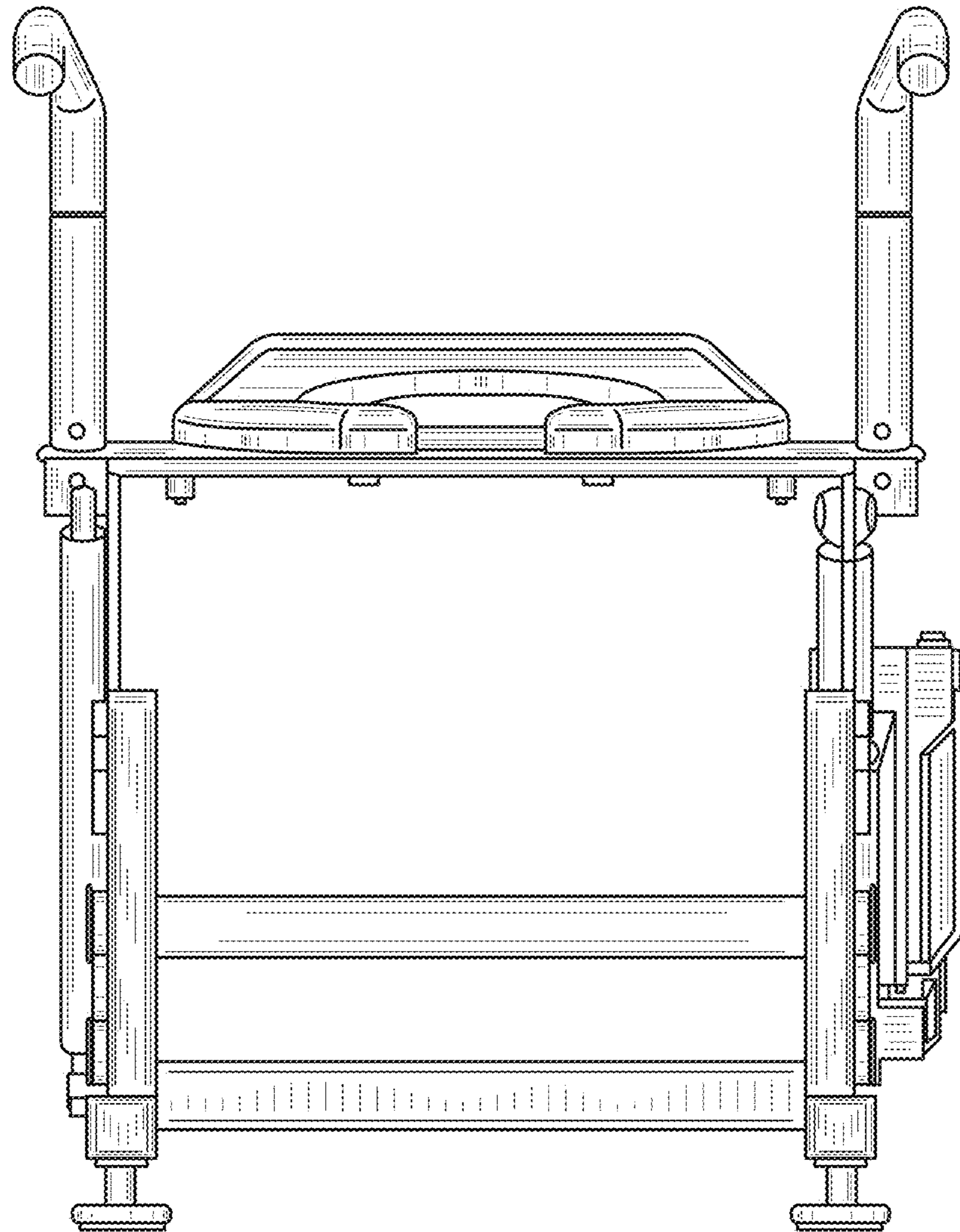


FIG. 2

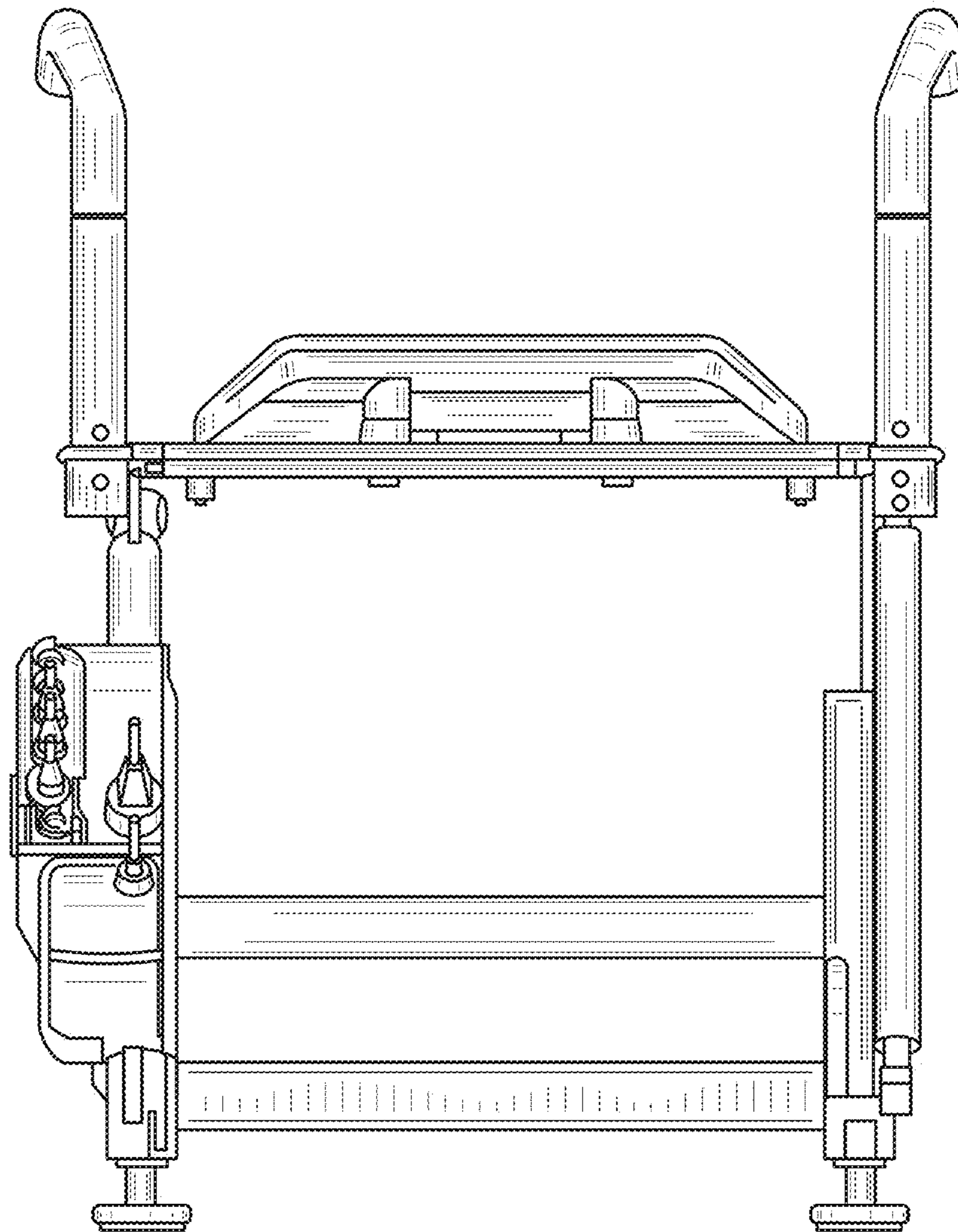


FIG. 3

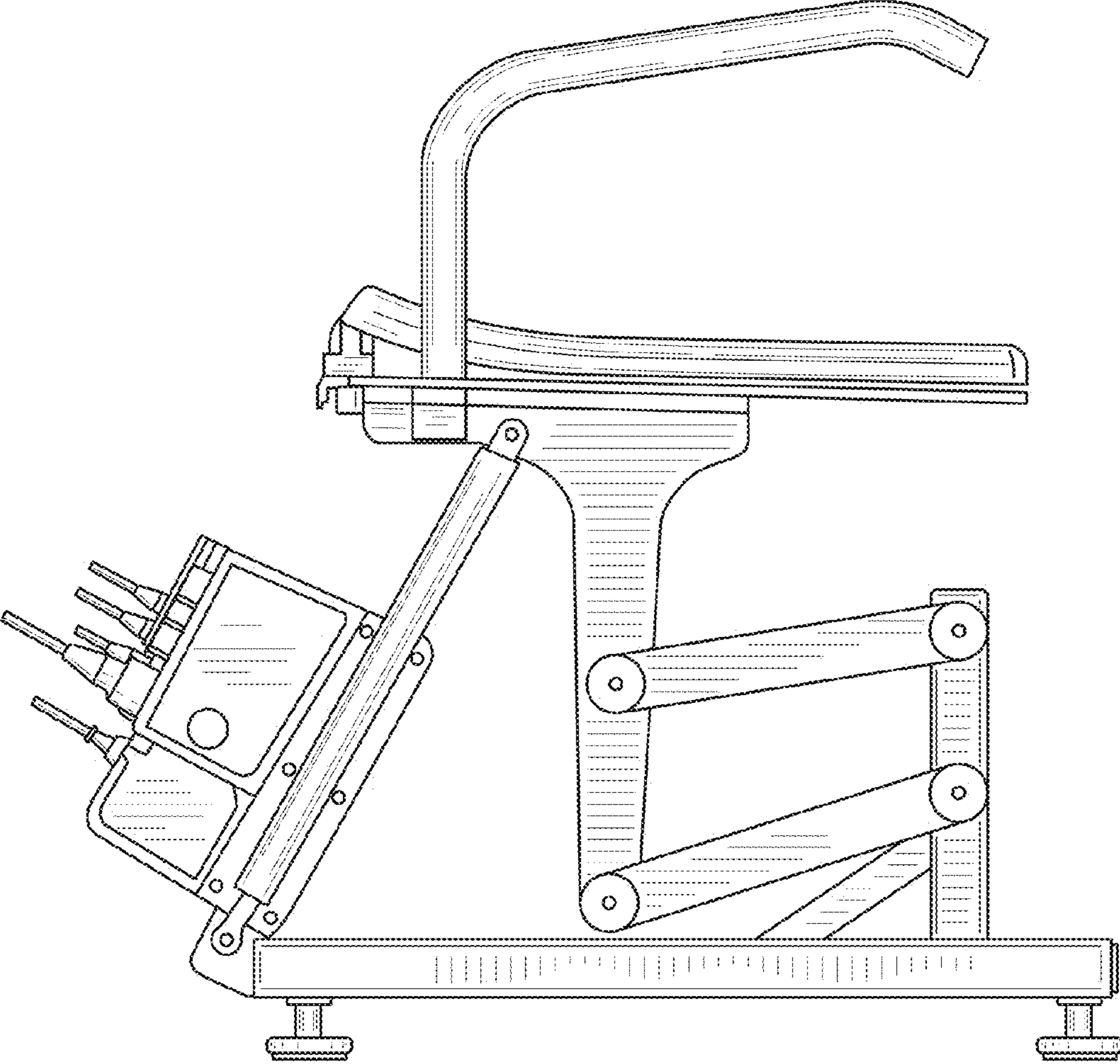


FIG. 4

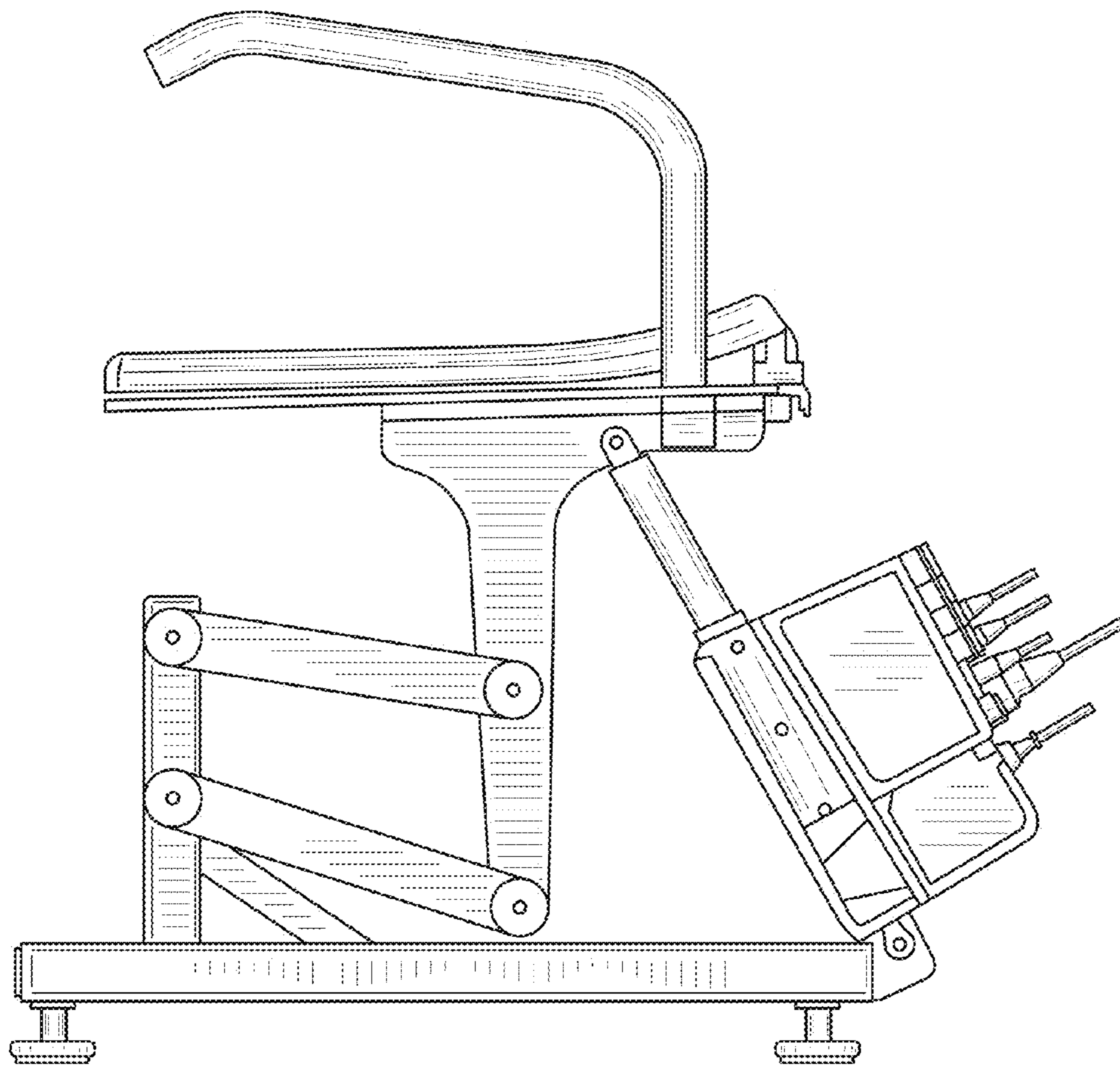


FIG. 5

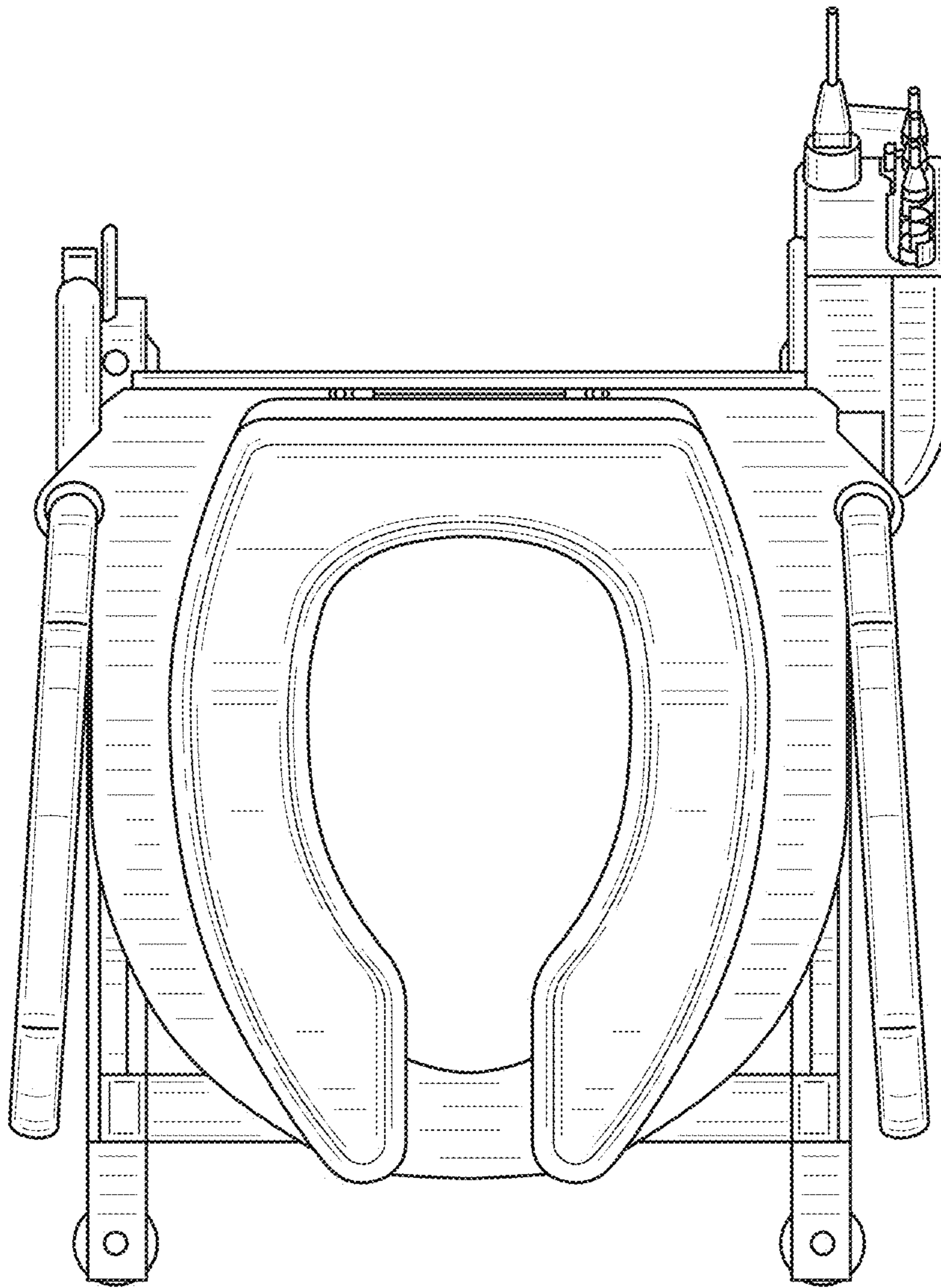


FIG. 6