



US00D728762S

(12) **United States Design Patent**  
**Mayer et al.**

(10) **Patent No.:** **US D728,762 S**

(45) **Date of Patent:** **\*\* May 5, 2015**

(54) **COMBINATION SINK WITH MIRROR**

(71) Applicant: **Deco Lav, Inc.**, Boca Raton, FL (US)

(72) Inventors: **Robert Mayer**, Boca Raton, FL (US);  
**Kristina Gros**, Boca Raton, FL (US);  
**Matt Muenster**, Boca Raton, FL (US)

(73) Assignee: **Deco Lav, Inc.**, Boca Raton, FL (US)

(\*\*) Term: **14 Years**

(21) Appl. No.: **29/481,073**

(22) Filed: **Jan. 31, 2014**

(51) **LOC (10) Cl.** ..... **23-02**

(52) **U.S. Cl.**  
USPC ..... **D23/286; D6/300**

(58) **Field of Classification Search**  
USPC ..... D23/286, 272-274, 303, 308, 284;  
D24/234, 177; 4/630-631, 638, 643;  
D6/300, 641, 655, 655.1, 655.14,  
D6/655.21, 633, 664.1, 671, 671.3, 308,  
D6/444, 642, 657; 312/228, 224, 227

See application file for complete search history.

(56) **References Cited**

U.S. PATENT DOCUMENTS

D553,398 S \* 10/2007 LeTourneau ..... D23/286  
7,721,364 B2 \* 5/2010 Pearson ..... 4/631  
D622,082 S \* 8/2010 Booth ..... D6/449  
D722,451 S \* 2/2015 Chen ..... D6/657

\* cited by examiner

*Primary Examiner* — Robert Delehanty

(74) *Attorney, Agent, or Firm* — Mark Terry

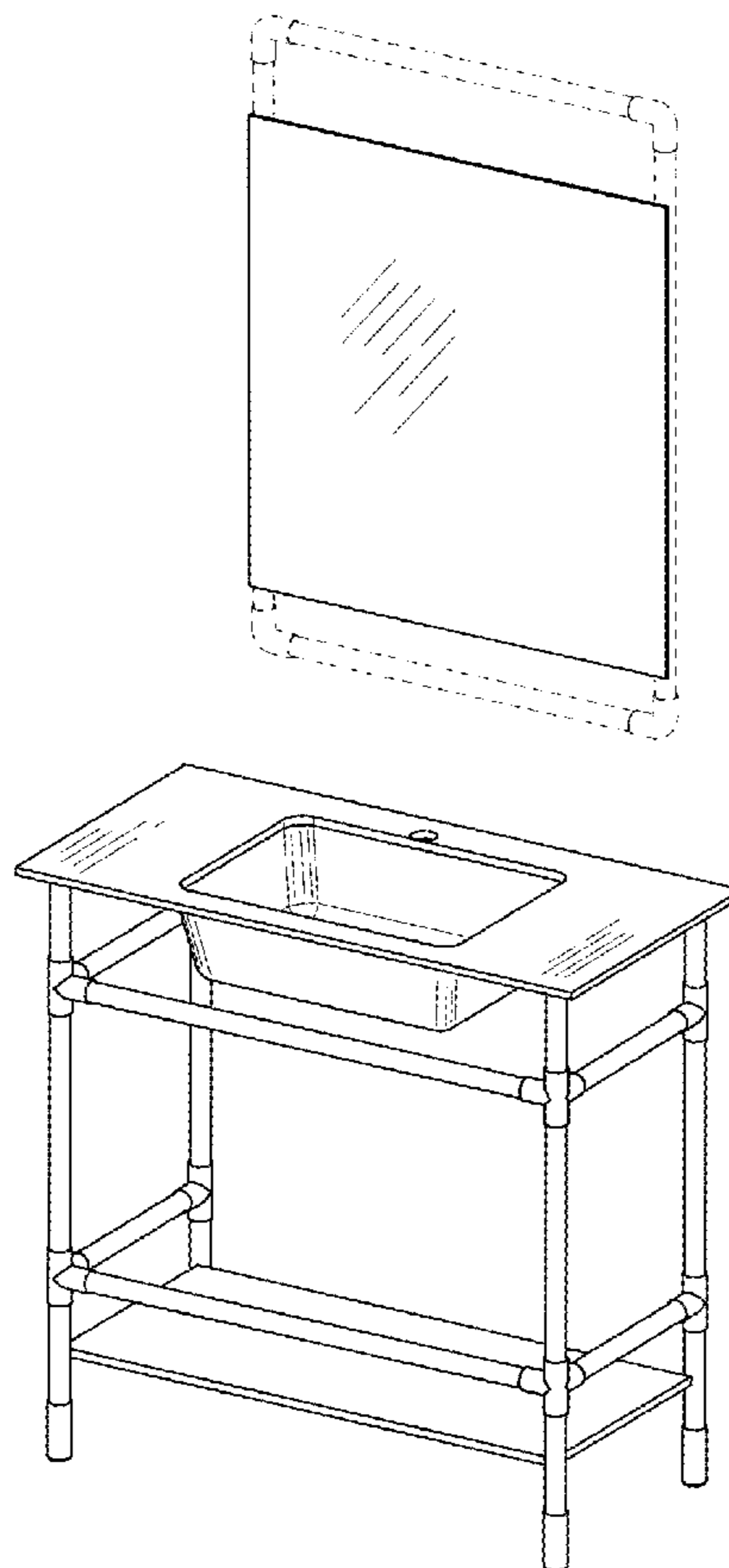
(57) **CLAIM**

The ornamental design for a combination sink with mirror, as shown and described.

**DESCRIPTION**

FIG. 1 is a top perspective view of a combination sink with mirror, showing the new design;  
FIG. 2 is a bottom perspective view thereof;  
FIG. 3 is a top view thereof;  
FIG. 4 is a front view thereof;  
FIG. 5 is a bottom view thereof;  
FIG. 6 is a rear view thereof;  
FIG. 7 is a left side view thereof; and,  
FIG. 8 is a right side view thereof.  
The broken lines shown in the drawings are for illustrative purposes only and form no part of the claimed design.

**1 Claim, 4 Drawing Sheets**



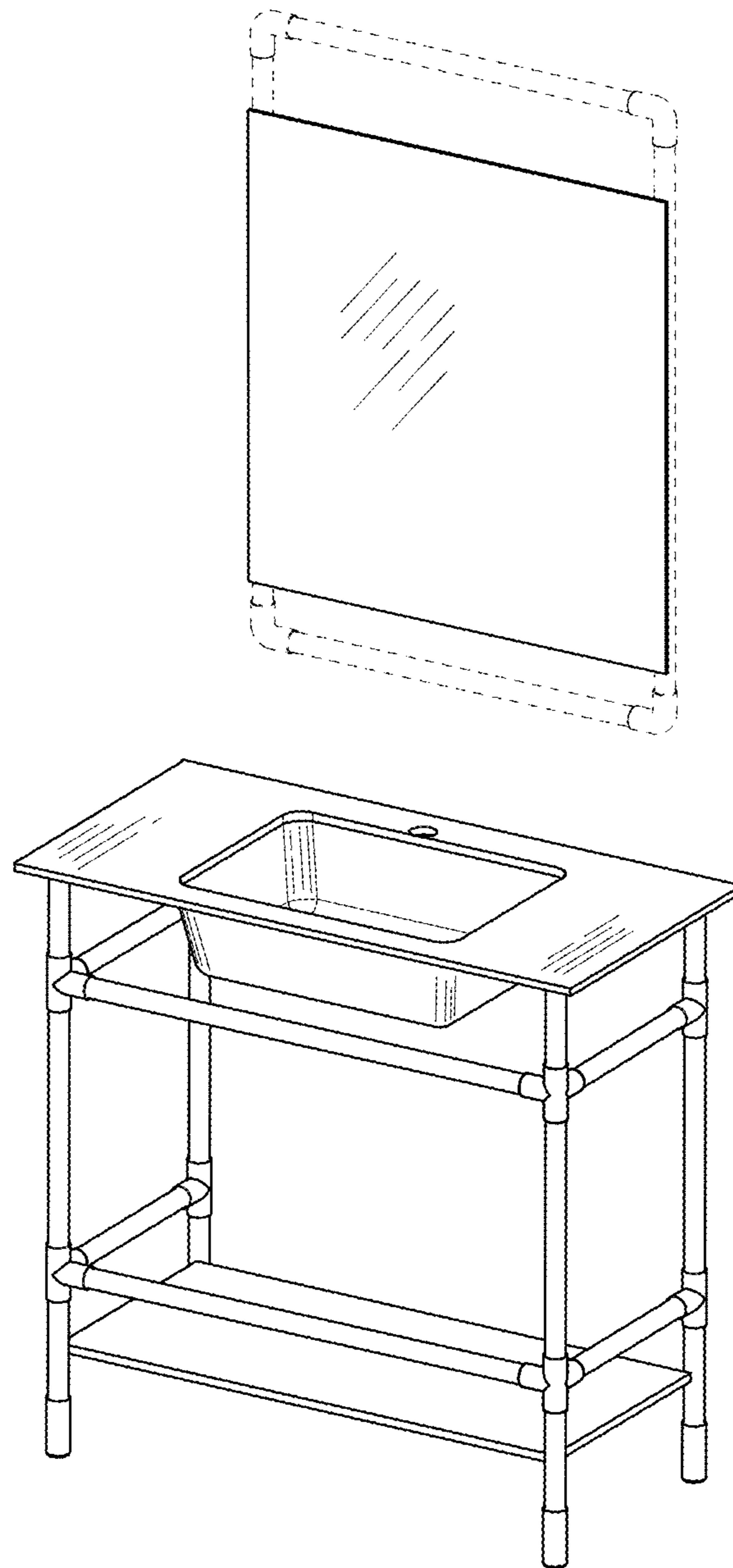


Fig. 1

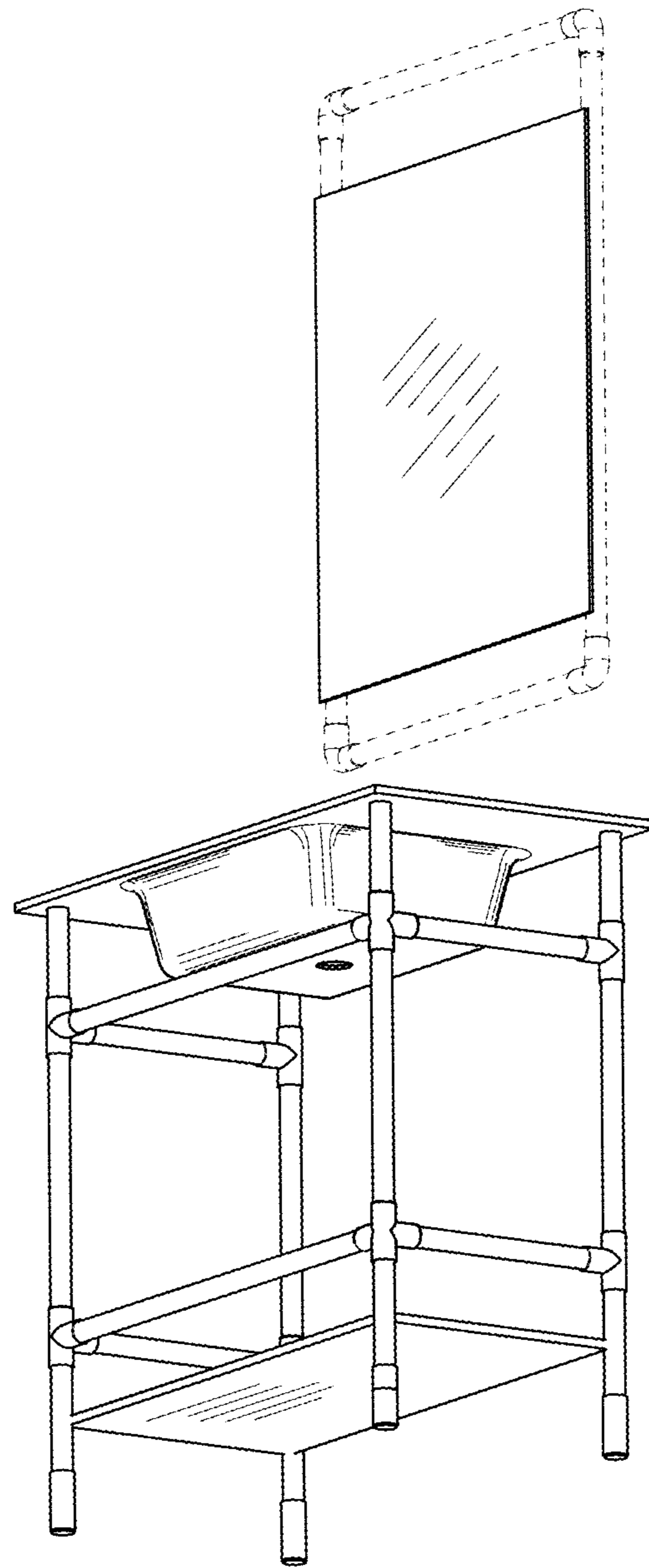


Fig. 2

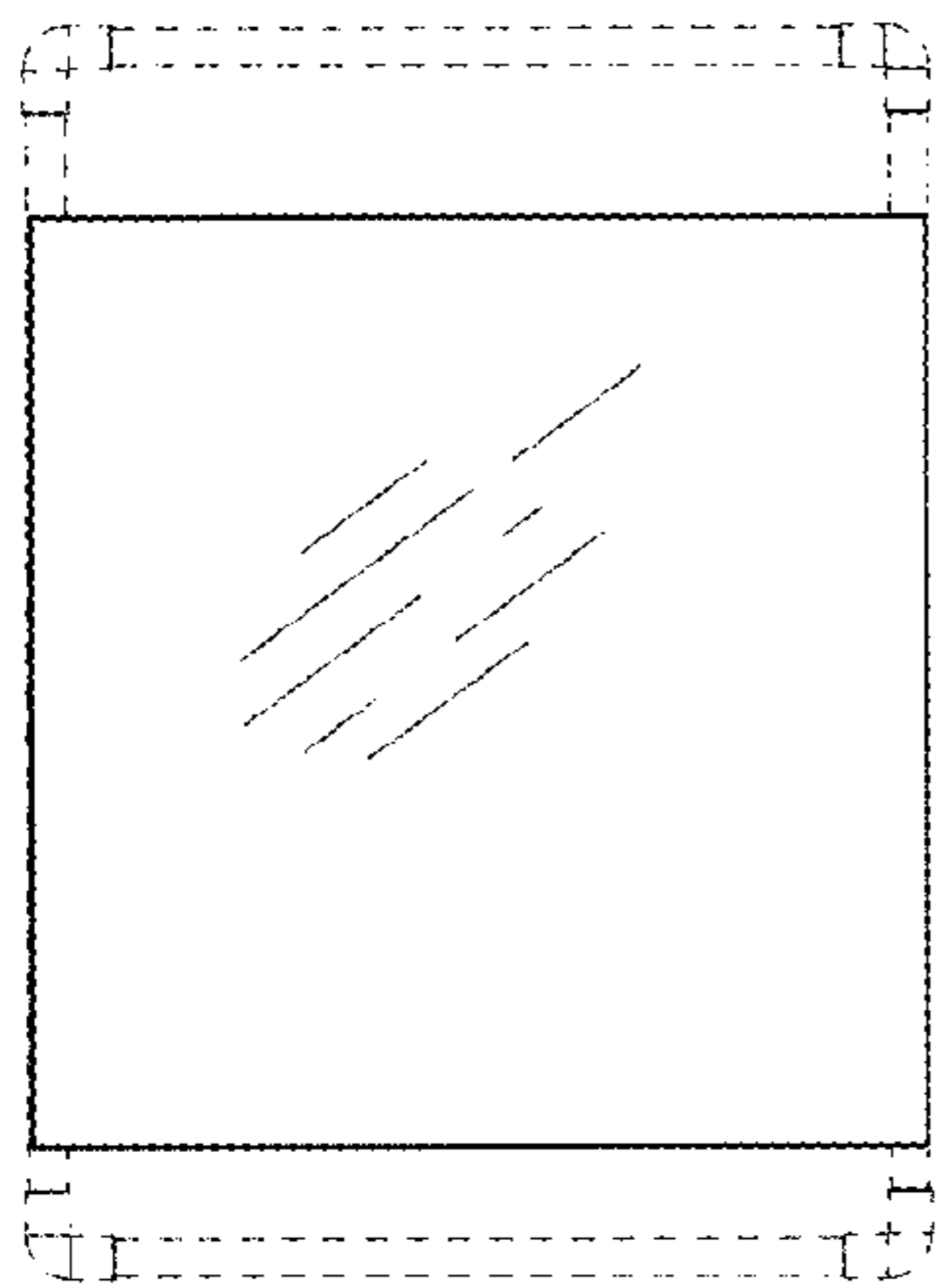


Fig. 3

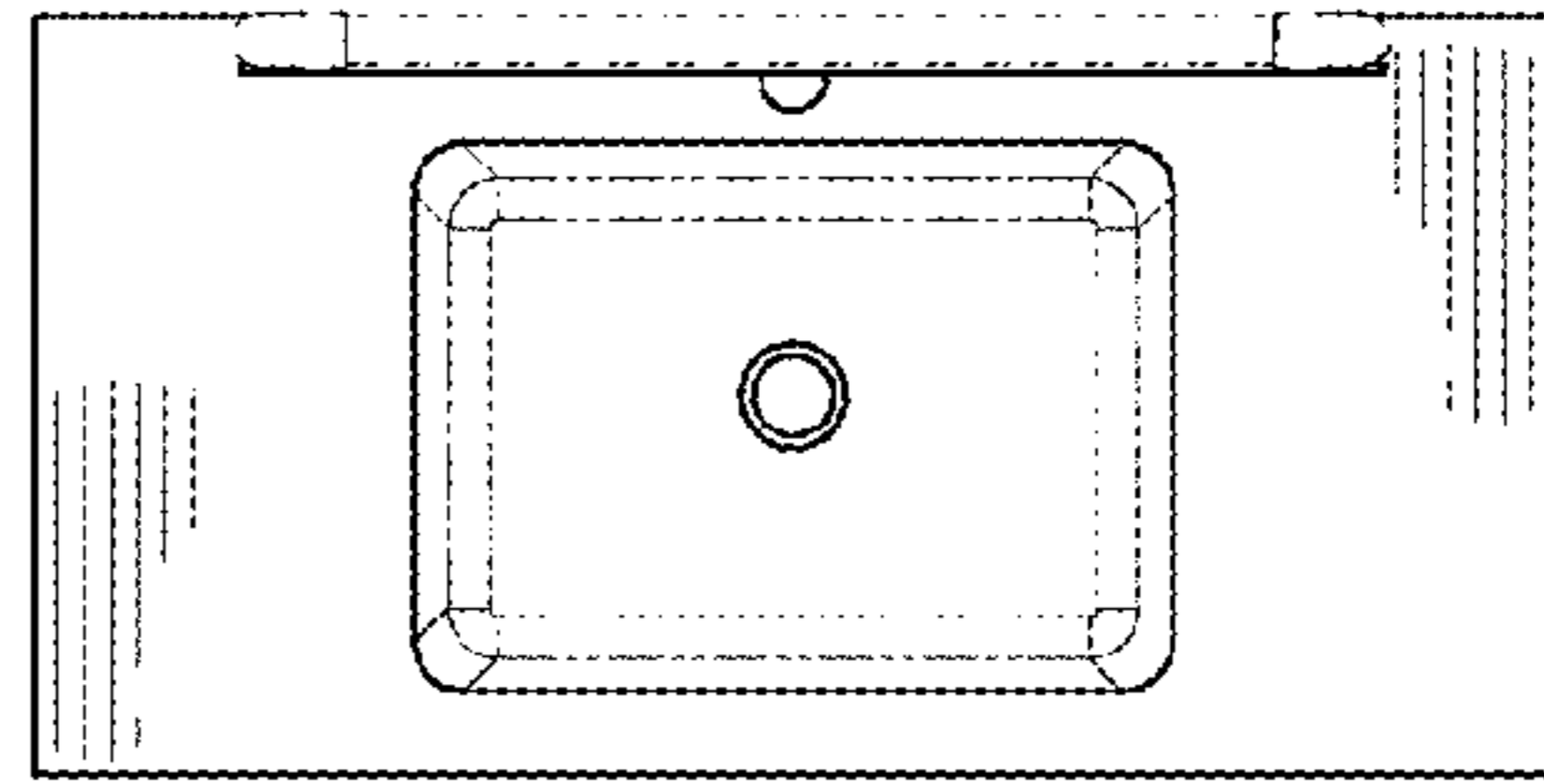


Fig. 4

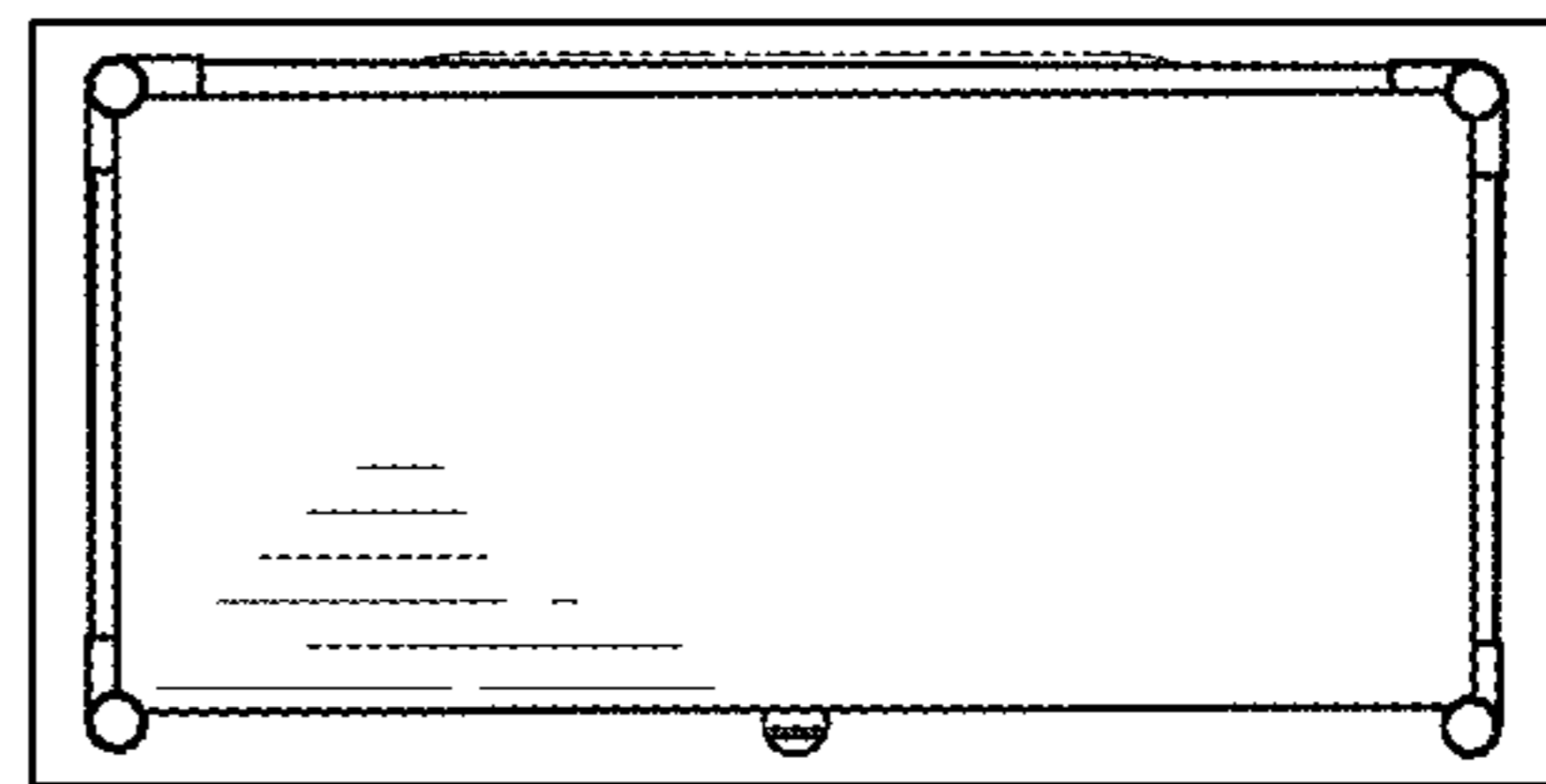


Fig. 5

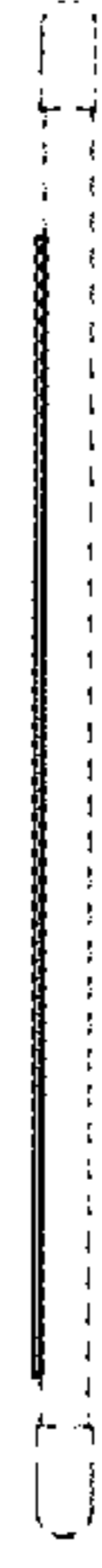
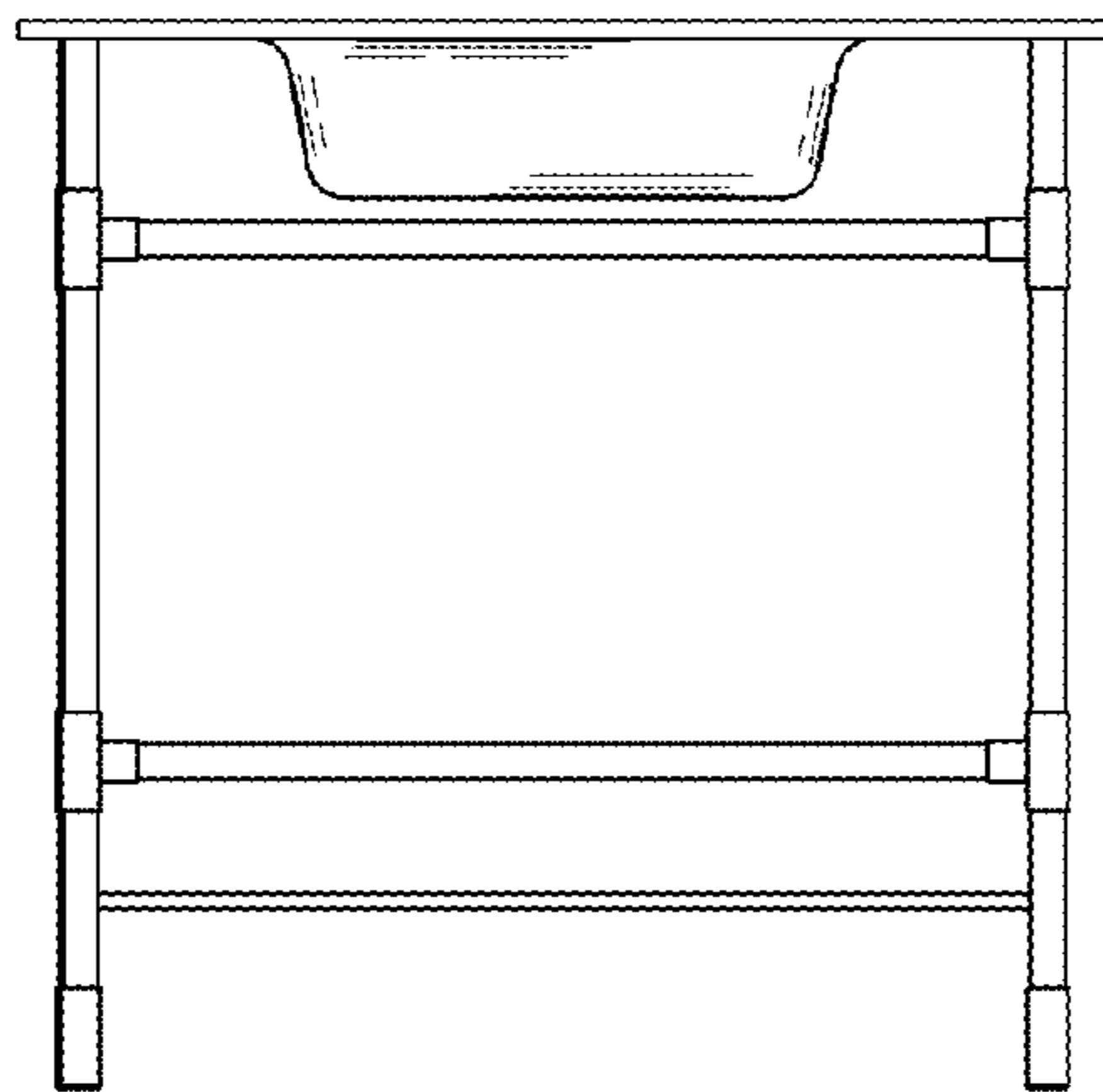
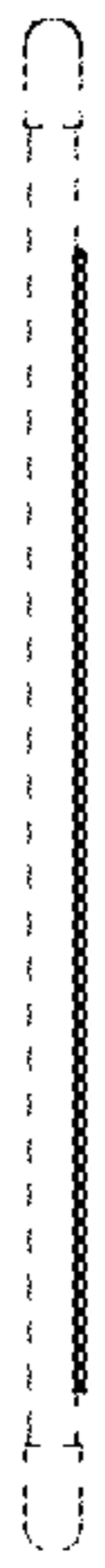
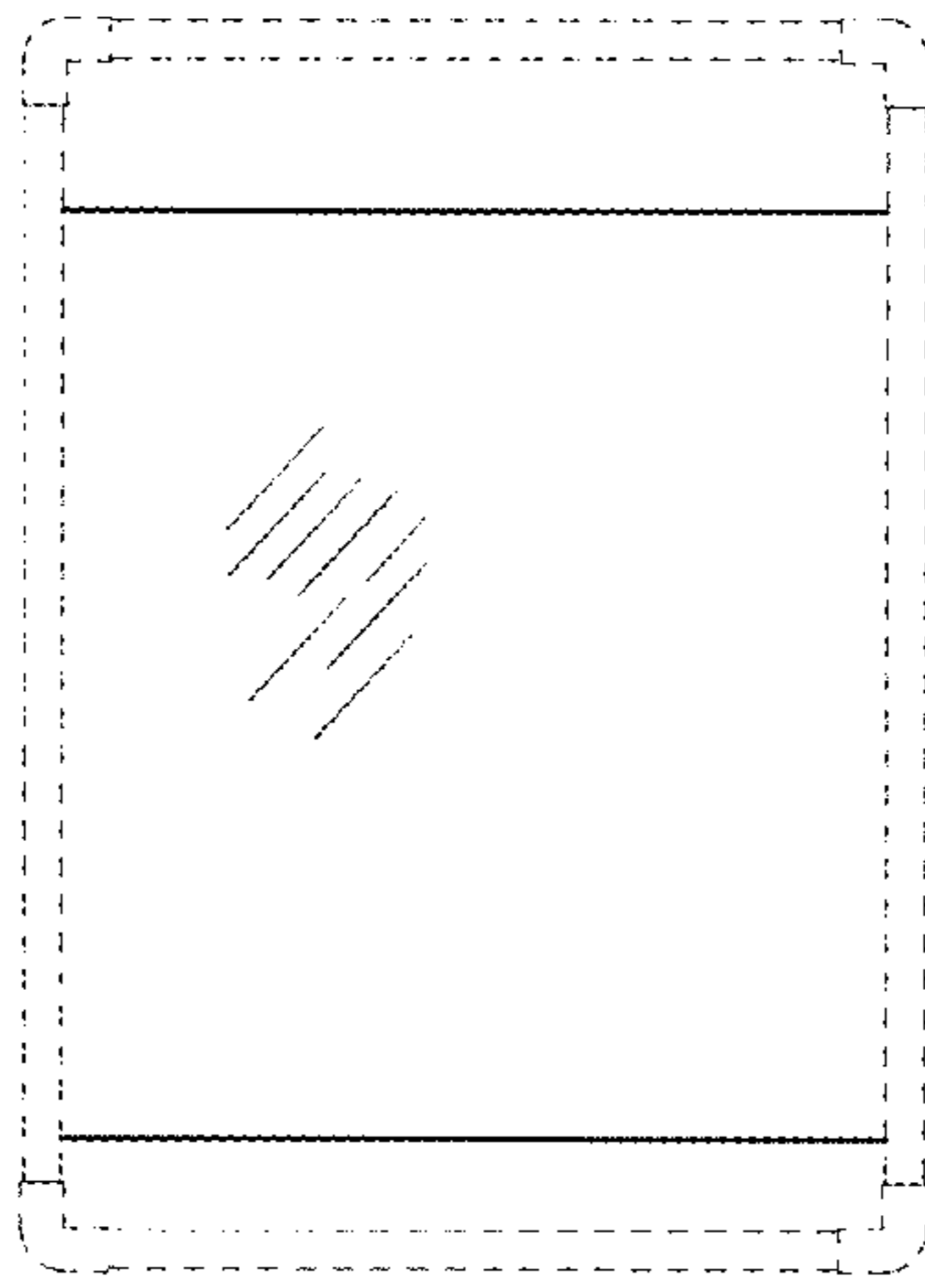


Fig. 6

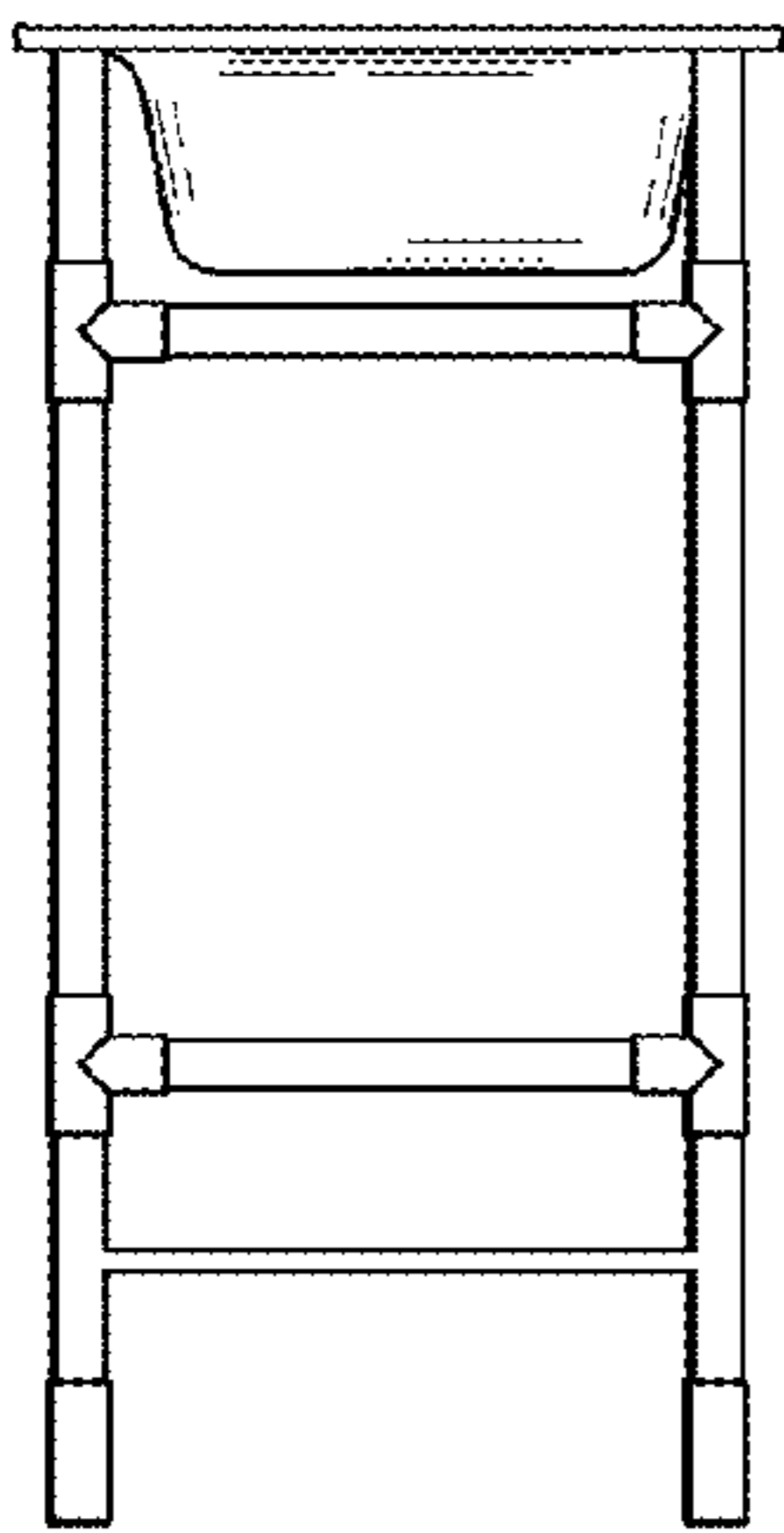


Fig. 7

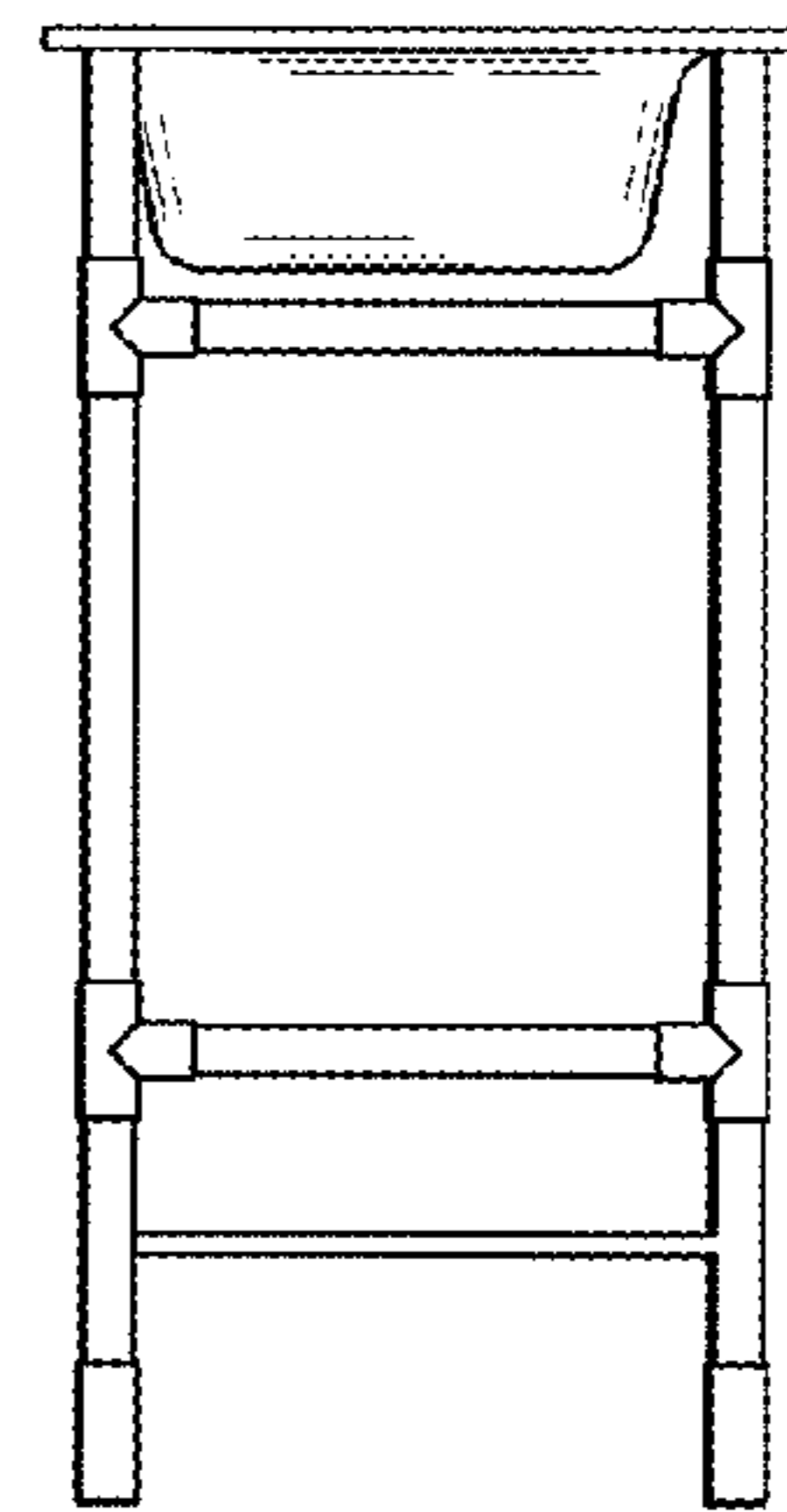


Fig. 8