



US00D728759S

(12) **United States Design Patent**
Gonzalez

(10) **Patent No.:** **US D728,759 S**

(45) **Date of Patent:** **** May 5, 2015**

(54) **UNIVERSAL HEIGHT ABSORBING TOILET SEAL**

(71) Applicant: **Coflex S.A. de C.V.**, Monterrey, Nuevo Leon (MX)

(72) Inventor: **Pedro Gonzalez**, San Pedro Garza Garcia (MX)

(73) Assignee: **Coflex S.A. de C.V.** (MX)

(**) Term: **14 Years**

(21) Appl. No.: **29/495,926**

(22) Filed: **Jul. 7, 2014**

(51) **LOC (10) Cl.** **23-01**

(52) **U.S. Cl.**
USPC **D23/269**

(58) **Field of Classification Search**
USPC D23/249, 259, 260, 262, 266, 269;
285/15, 95, 133.21, 232, 351; 277/351,
277/352, 353, 354, 372, 504, 626
See application file for complete search history.

(56) **References Cited**

U.S. PATENT DOCUMENTS

D35,534 S *	12/1901	Conlin et al.	D23/269
3,579,670 A *	5/1971	Frank et al.	4/252.5
4,827,539 A *	5/1989	Kiziah	4/252.4
D323,213 S *	1/1992	Iacone	D24/129
5,377,361 A *	1/1995	Piskula	4/252.4
D359,451 S *	6/1995	Dees	D9/443
D372,074 S *	7/1996	Wallace et al.	D23/269
D385,956 S *	11/1997	Doughty et al.	D23/259
7,055,184 B2 *	6/2006	Humber	4/252.4
D563,531 S *	3/2008	Katsura	D23/269
7,350,243 B2 *	4/2008	Zahuranec	4/252.4
D574,931 S *	8/2008	Hughes	D23/262
D605,739 S *	12/2009	Henry et al.	D23/269
D614,272 S *	4/2010	Henry et al.	D23/269
8,099,801 B2 *	1/2012	Hughes	4/252.5

(Continued)

Primary Examiner — Karen E Kearney

Assistant Examiner — Daniel J Domino

(74) *Attorney, Agent, or Firm* — Baker & McKenzie LLP

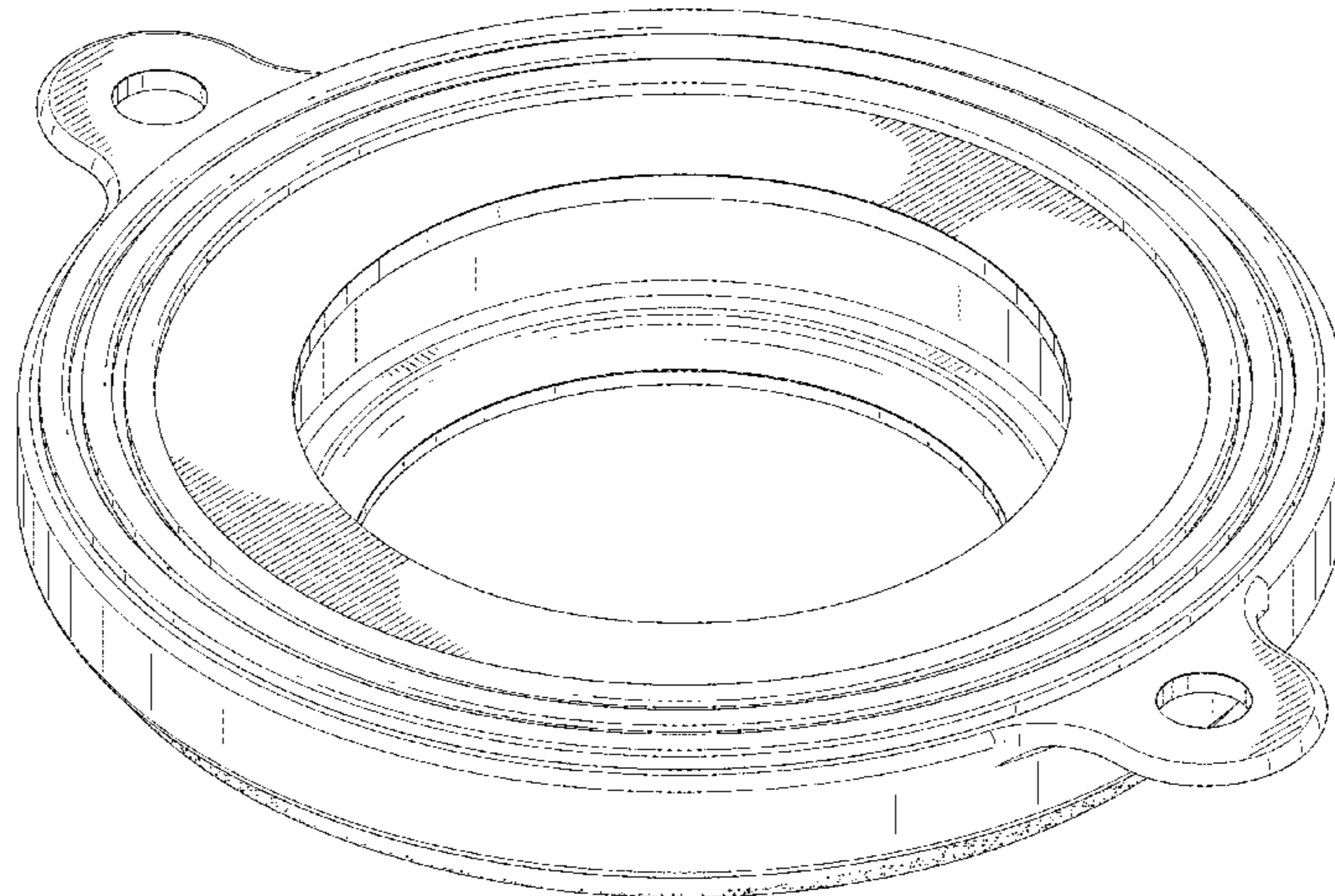
(57) **CLAIM**

The ornamental design for a universal height absorbing toilet seal, as shown and described.

DESCRIPTION

FIG. 1 is a top perspective view of a first embodiment of a universal height absorbing toilet seal;
 FIG. 2 is a front view of the universal height absorbing toilet seal shown in FIG. 1;
 FIG. 3 is a back view of the universal height absorbing toilet seal shown in FIG. 1;
 FIG. 4 is a side view of the universal height absorbing toilet seal shown in FIG. 1;
 FIG. 5 is an opposite side view of the universal height absorbing toilet seal shown in FIG. 1;
 FIG. 6 is a top view of the universal height absorbing toilet seal shown in FIG. 1;
 FIG. 7 is a bottom view of the universal height absorbing toilet seal shown in FIG. 1;
 FIG. 8 is a bottom perspective view of the universal height absorbing toilet seal shown in FIG. 1;
 FIG. 9 is a top perspective view of a second embodiment of a universal height absorbing toilet seal;
 FIG. 10 is a front view of the universal height absorbing toilet seal shown in FIG. 9;
 FIG. 11 is a back view of the universal height absorbing toilet seal shown in FIG. 9;
 FIG. 12 is a side view of the universal height absorbing toilet seal shown in FIG. 9;
 FIG. 13 is an opposite side view of the universal height absorbing toilet seal shown in FIG. 9;
 FIG. 14 is a top view of the universal height absorbing toilet seal shown in FIG. 9;
 FIG. 15 is a bottom view of the universal height absorbing toilet seal shown in FIG. 9; and,
 FIG. 16 is a bottom perspective view of the universal height absorbing toilet seal shown in FIG. 9.

1 Claim, 12 Drawing Sheets



(56)

References Cited

U.S. PATENT DOCUMENTS

D653,734 S * 2/2012 Sisk D23/269
D655,796 S * 3/2012 DeWitt et al. D23/269
D659,808 S * 5/2012 Zeyfang D23/260
D681,176 S * 4/2013 Chacko D23/269
D706,909 S * 6/2014 van de Klippe et al. D23/269
D714,917 S * 10/2014 Miller et al. D23/269

8,910,321 B2 * 12/2014 Coronado et al. 4/252.4
2004/0245726 A1 * 12/2004 Gravier 277/438
2005/0175211 A1 * 8/2005 Suzuki 381/395
2005/0278841 A1 * 12/2005 Coronado et al. 4/252.5
2006/0253971 A1 * 11/2006 Colin et al. 4/541.6
2010/0237569 A1 * 9/2010 Jimenez et al. 277/608
2011/0181040 A1 * 7/2011 Thompson et al. 285/148.23
2013/0152291 A1 * 6/2013 Stonecipher et al. 4/252.1
2014/0014867 A1 * 1/2014 Hung 251/314

* cited by examiner

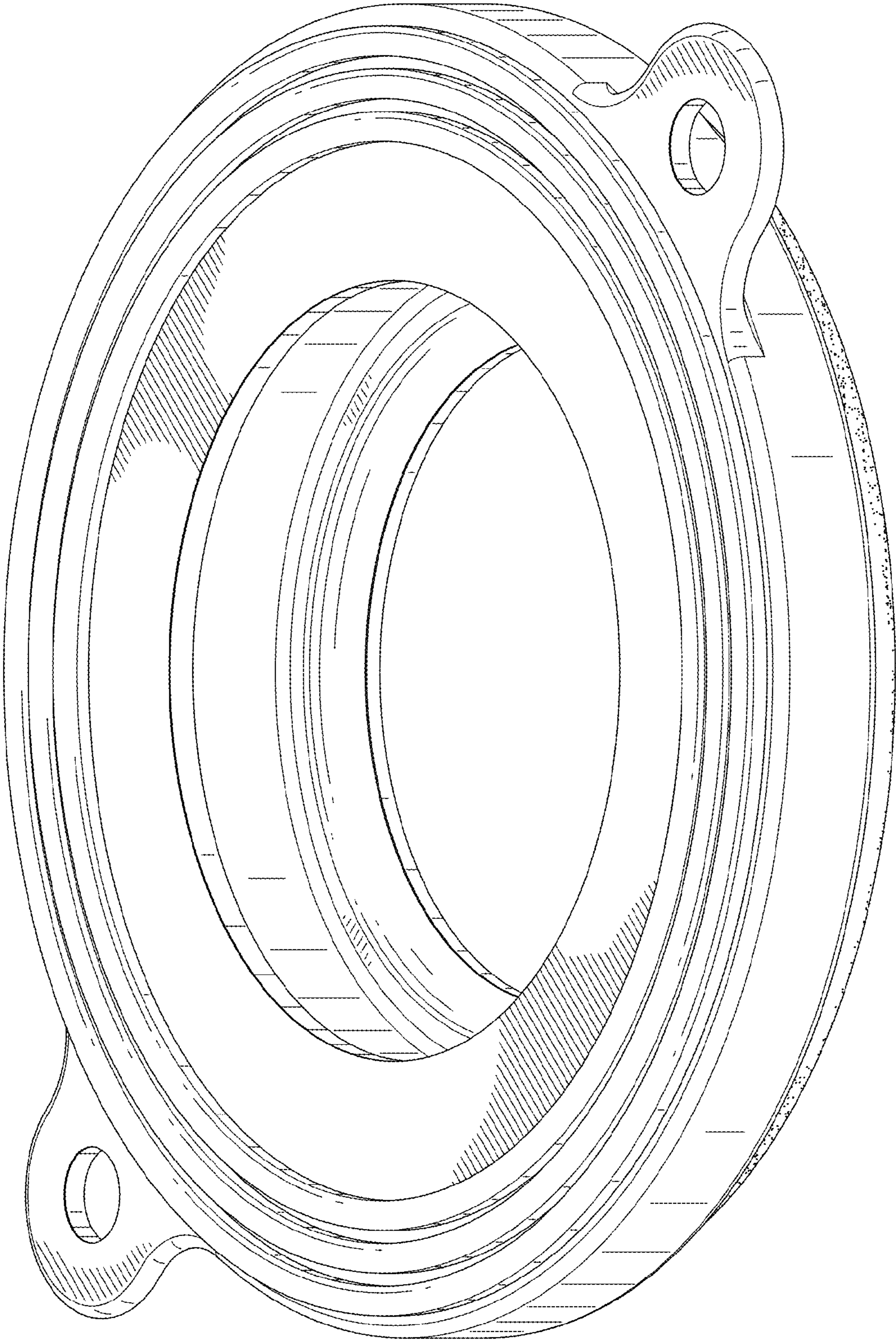


FIG. 1

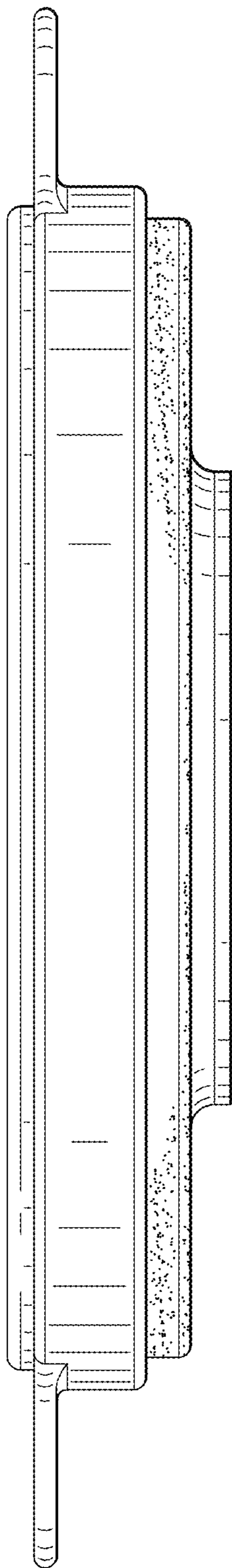


FIG. 2

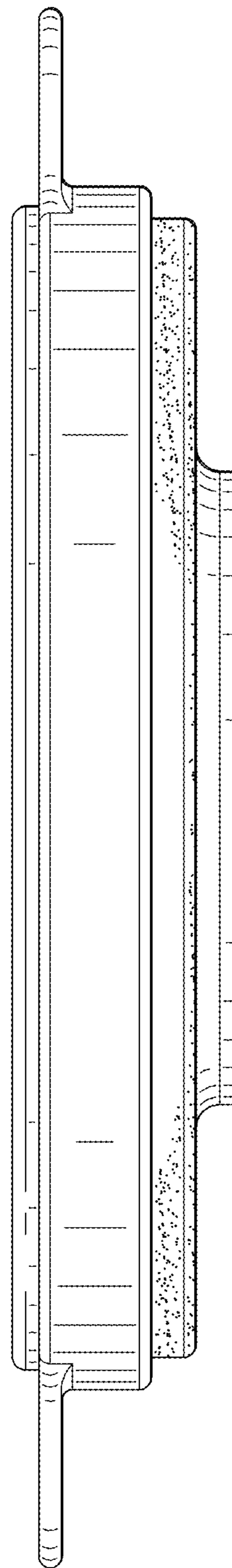


FIG. 3

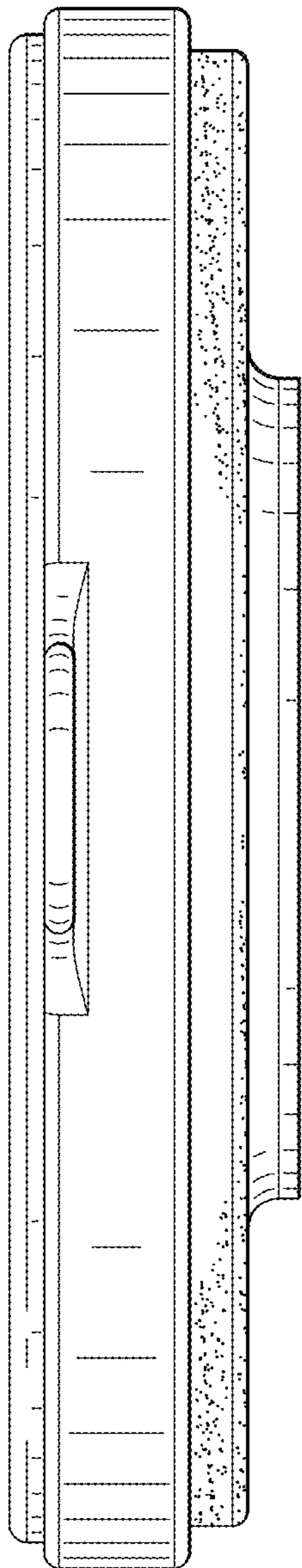


FIG. 4

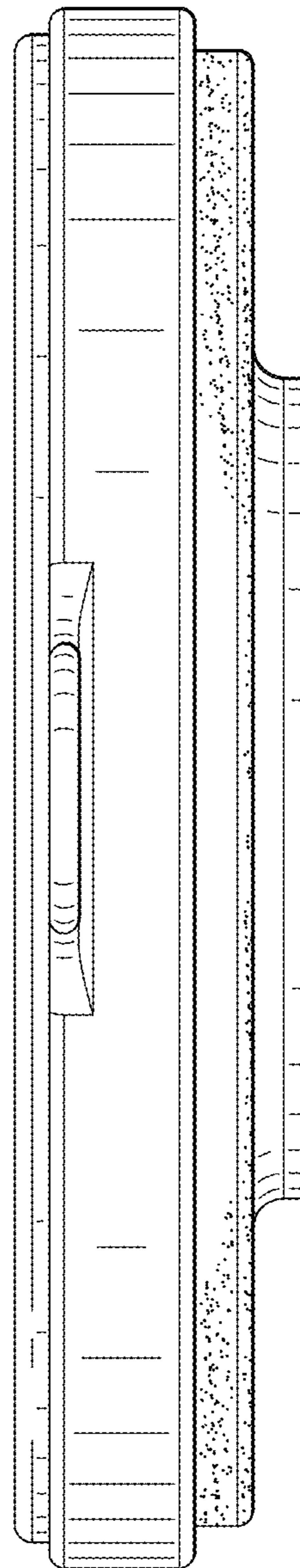


FIG. 5

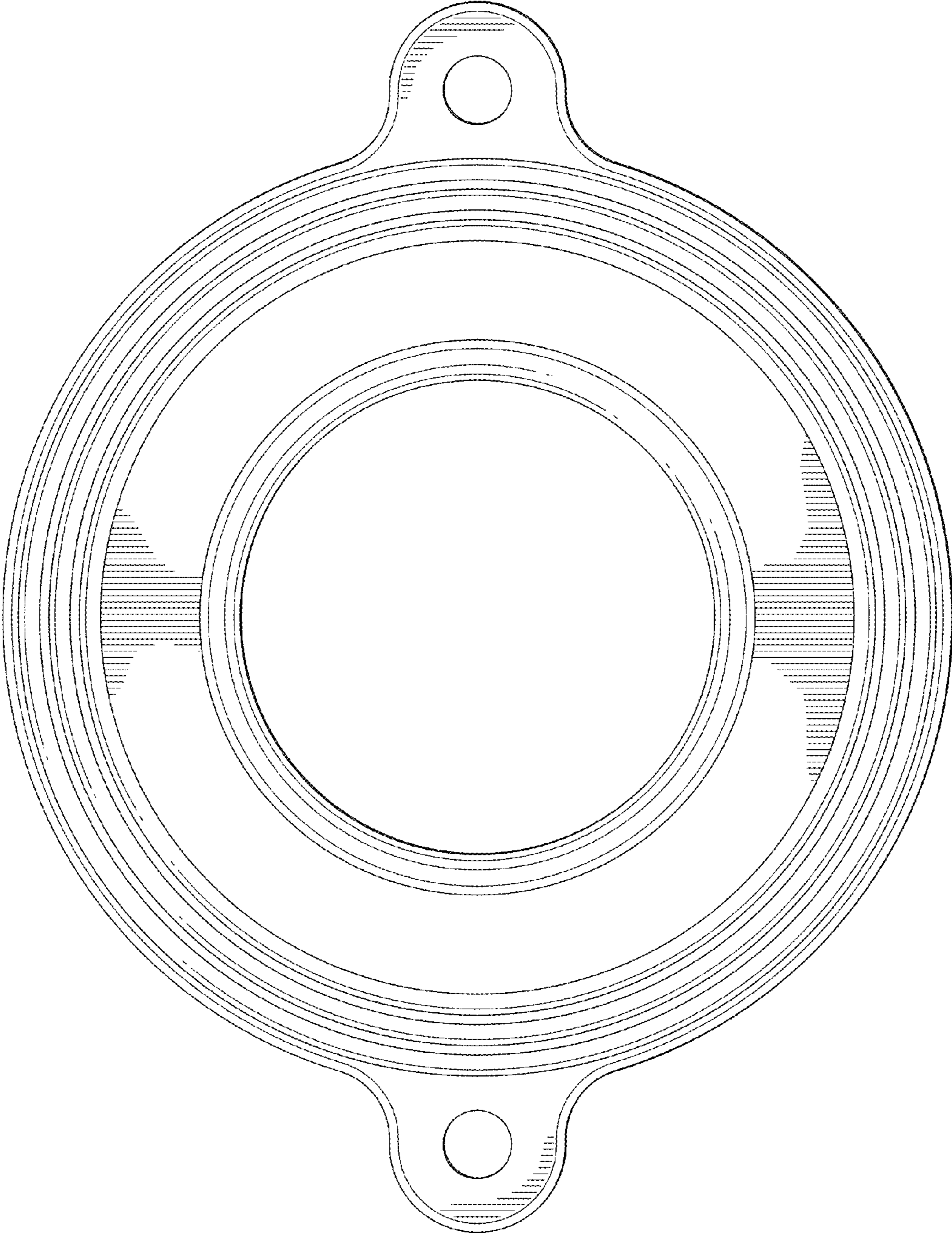


FIG. 6

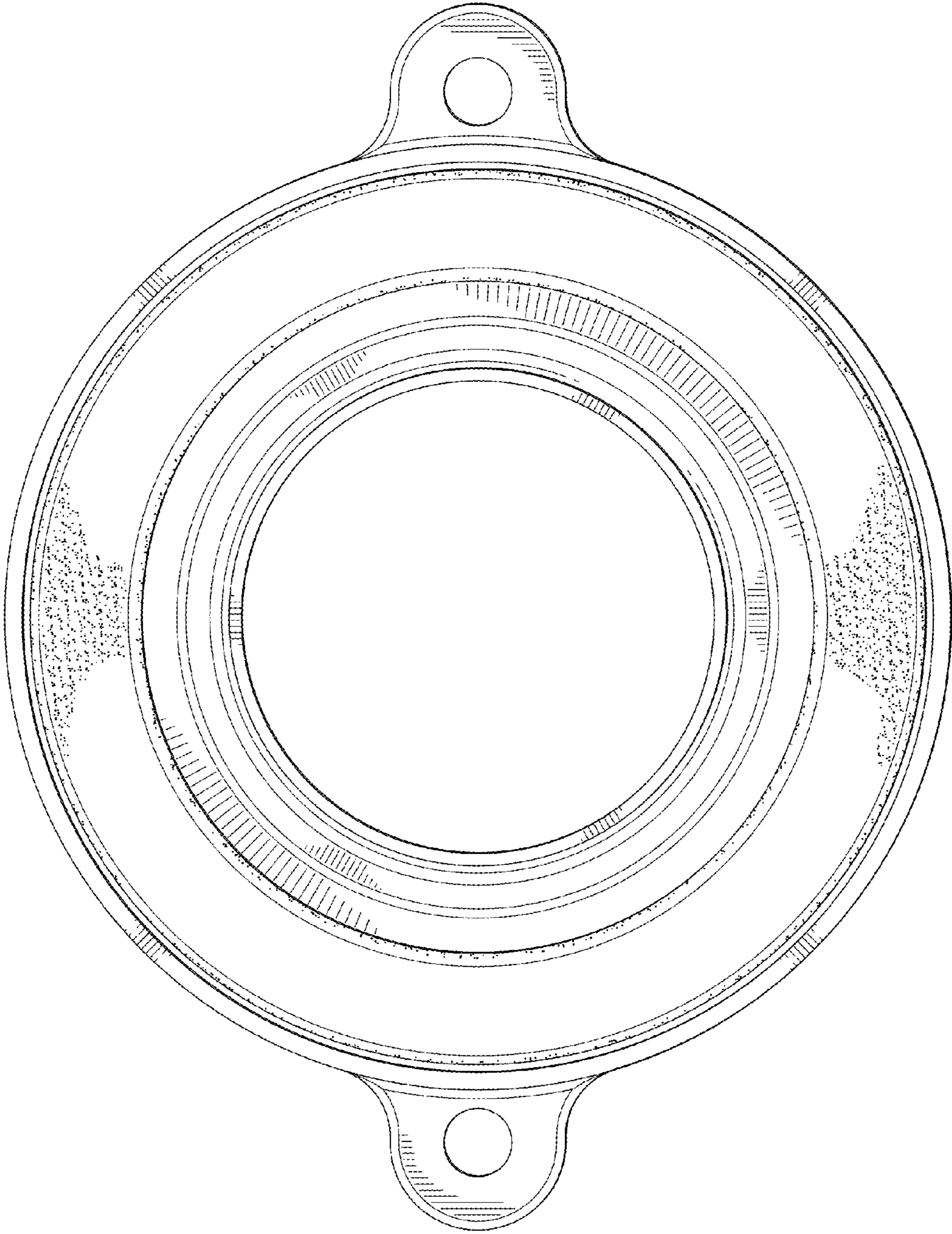


FIG. 7

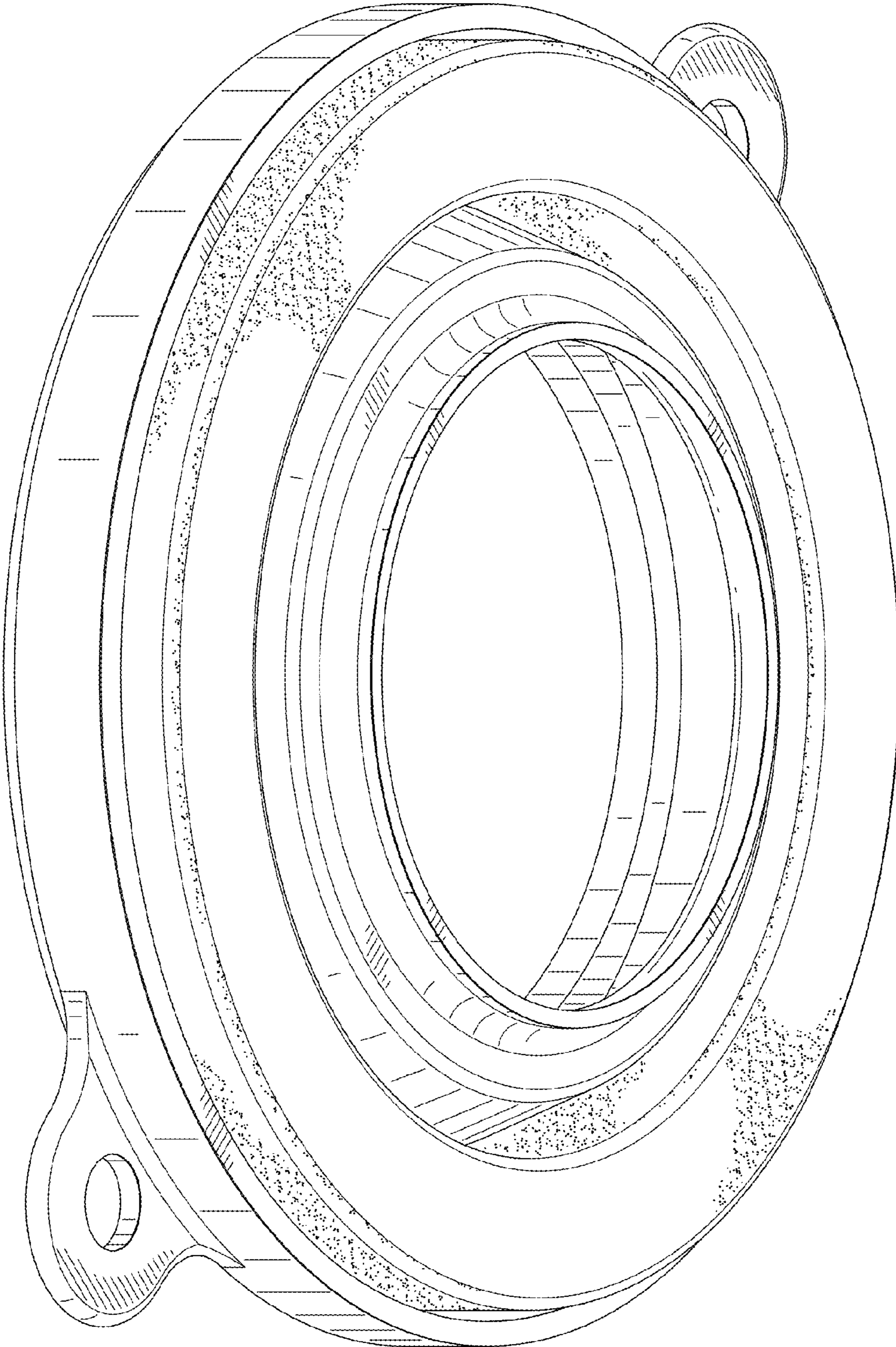


FIG. 8

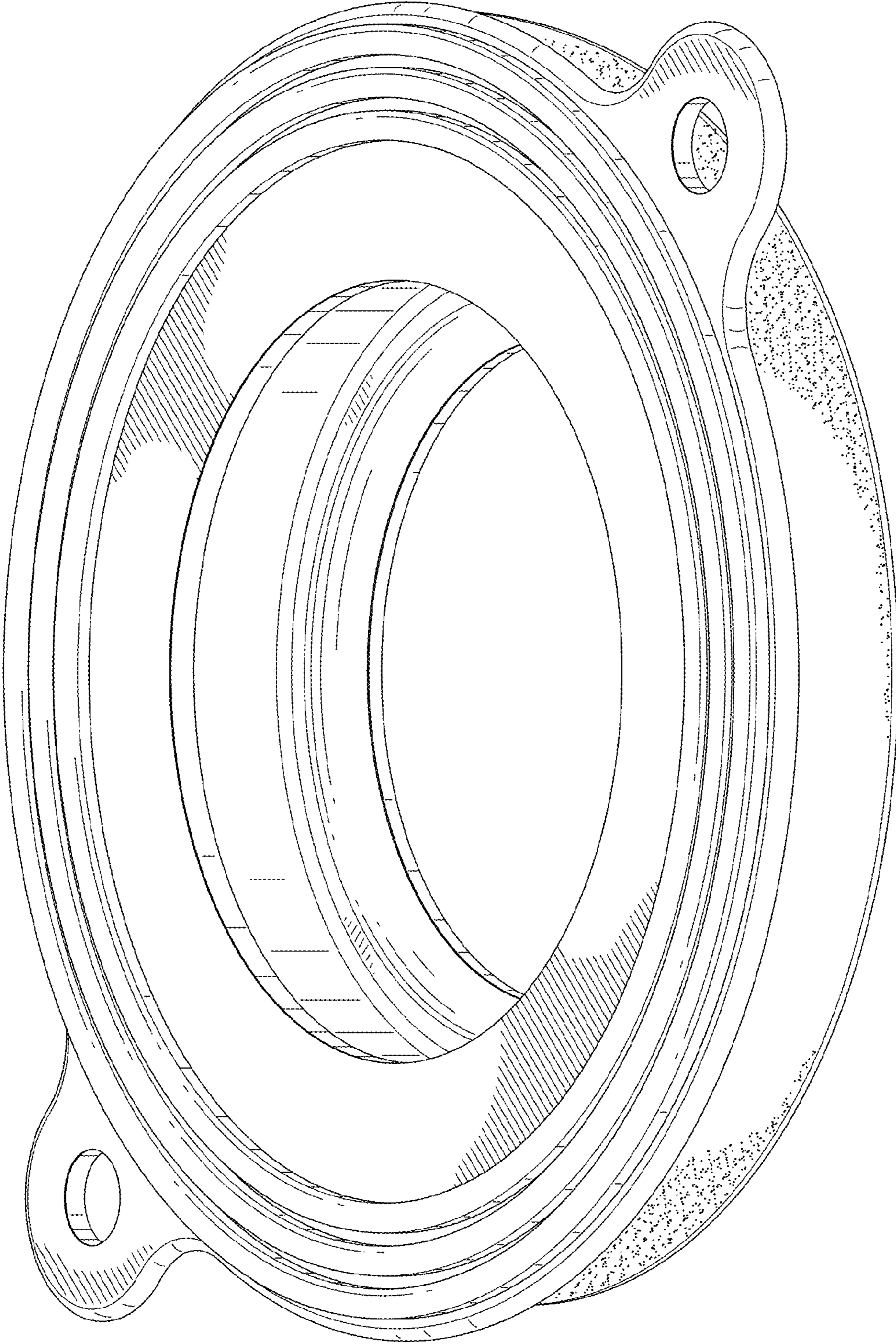


FIG. 9

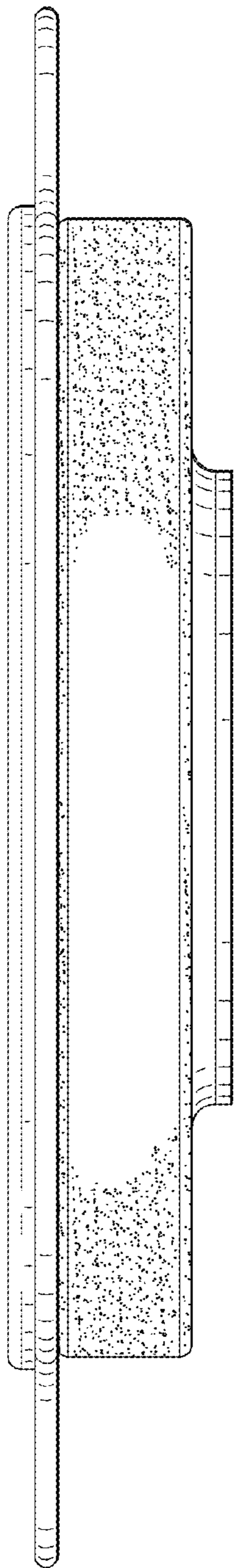


FIG. 10

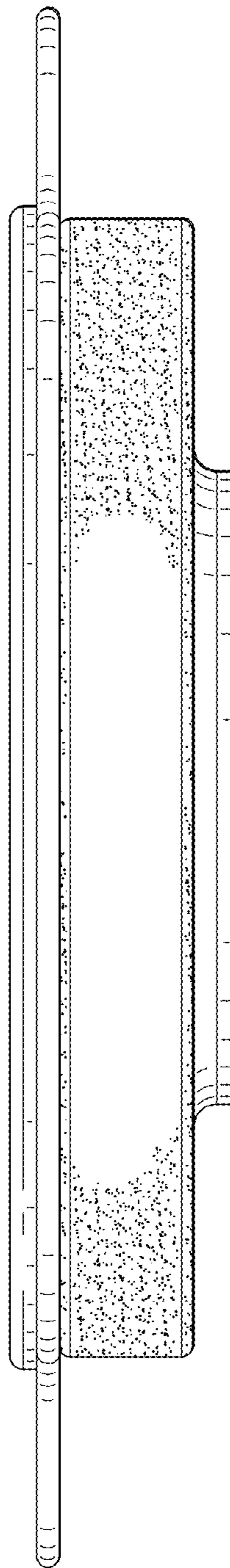


FIG. 11

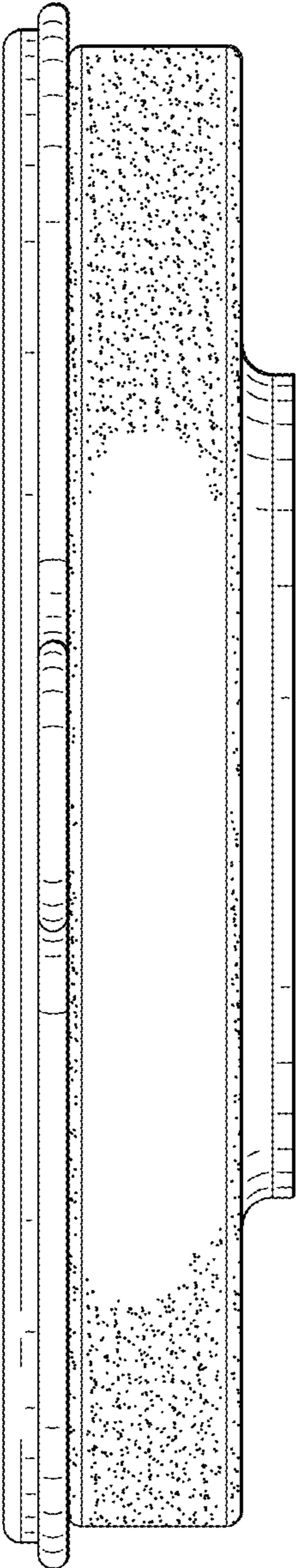


FIG. 12

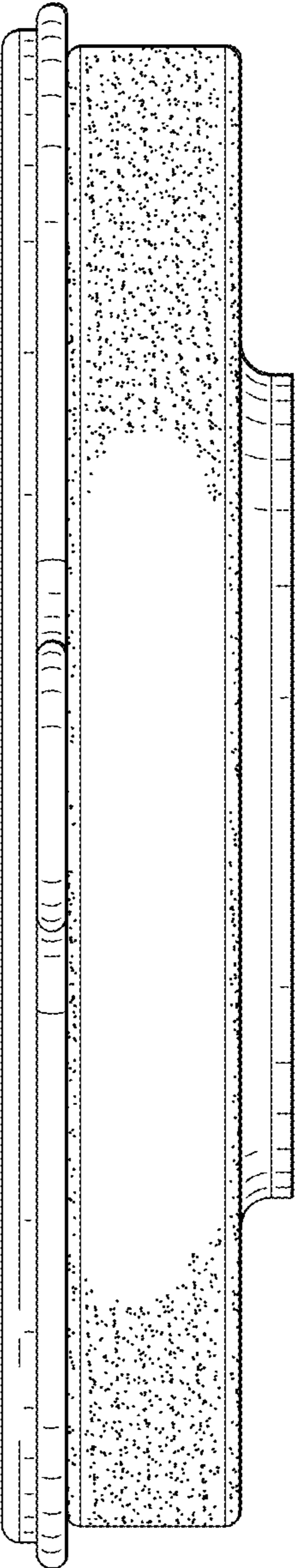


FIG. 13

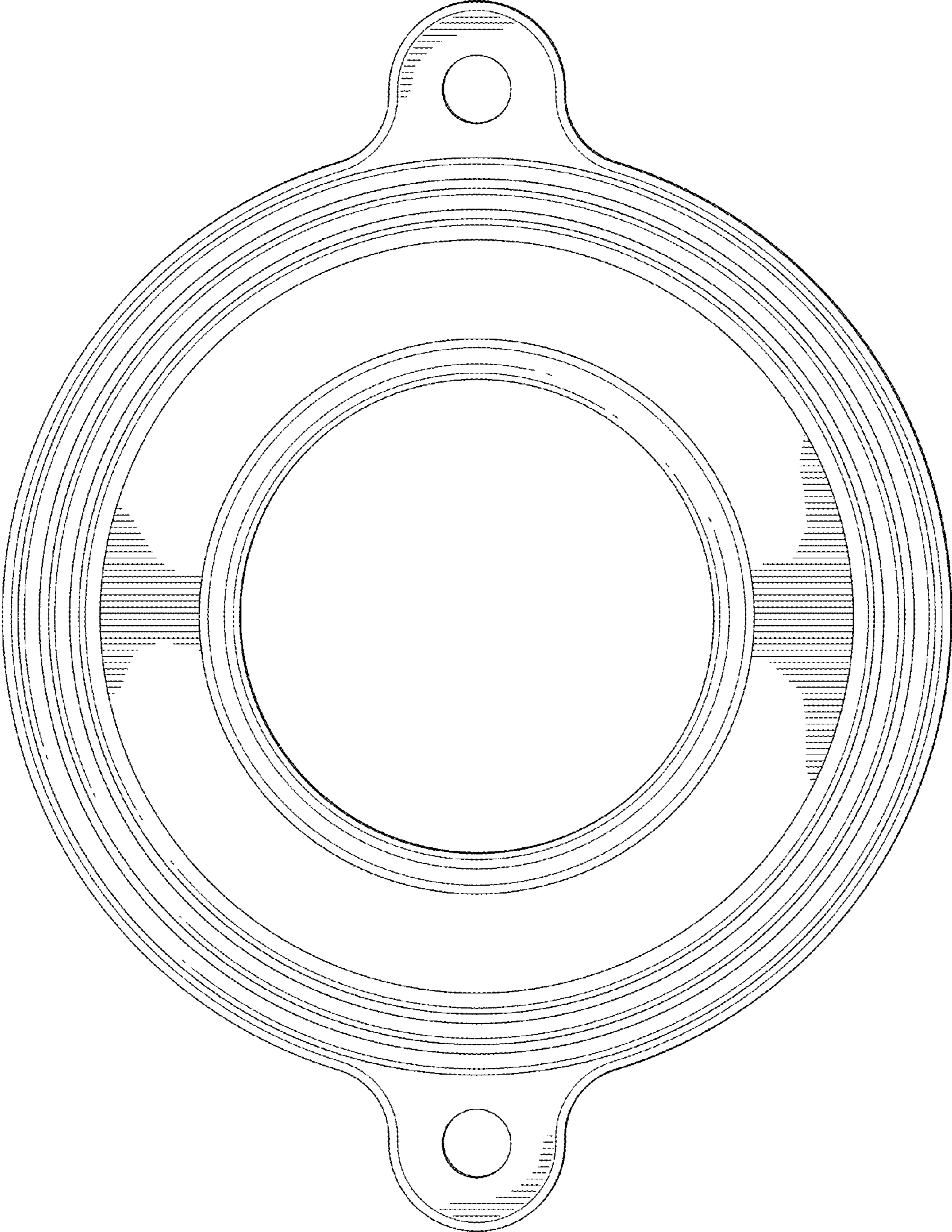


FIG. 14

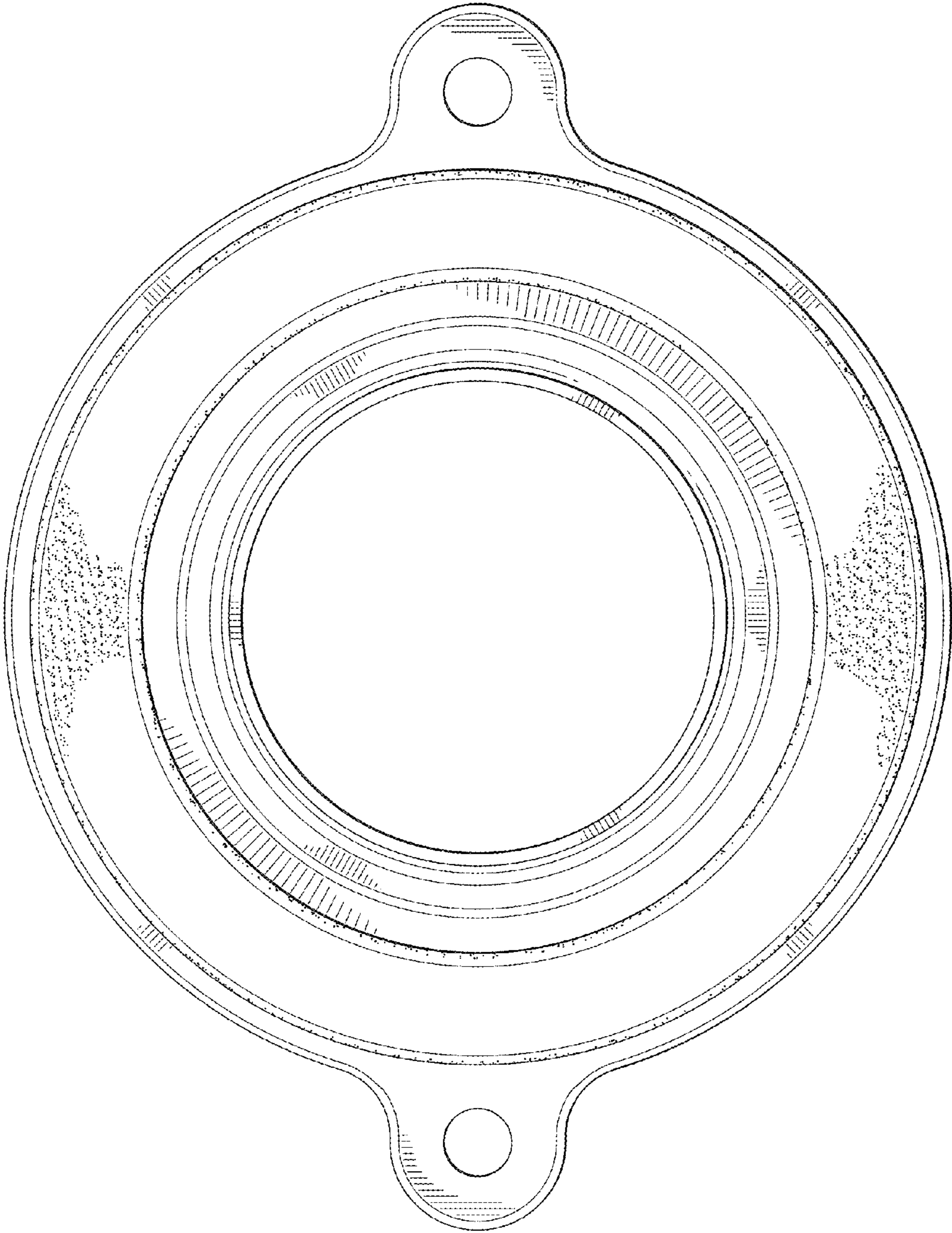


FIG. 15

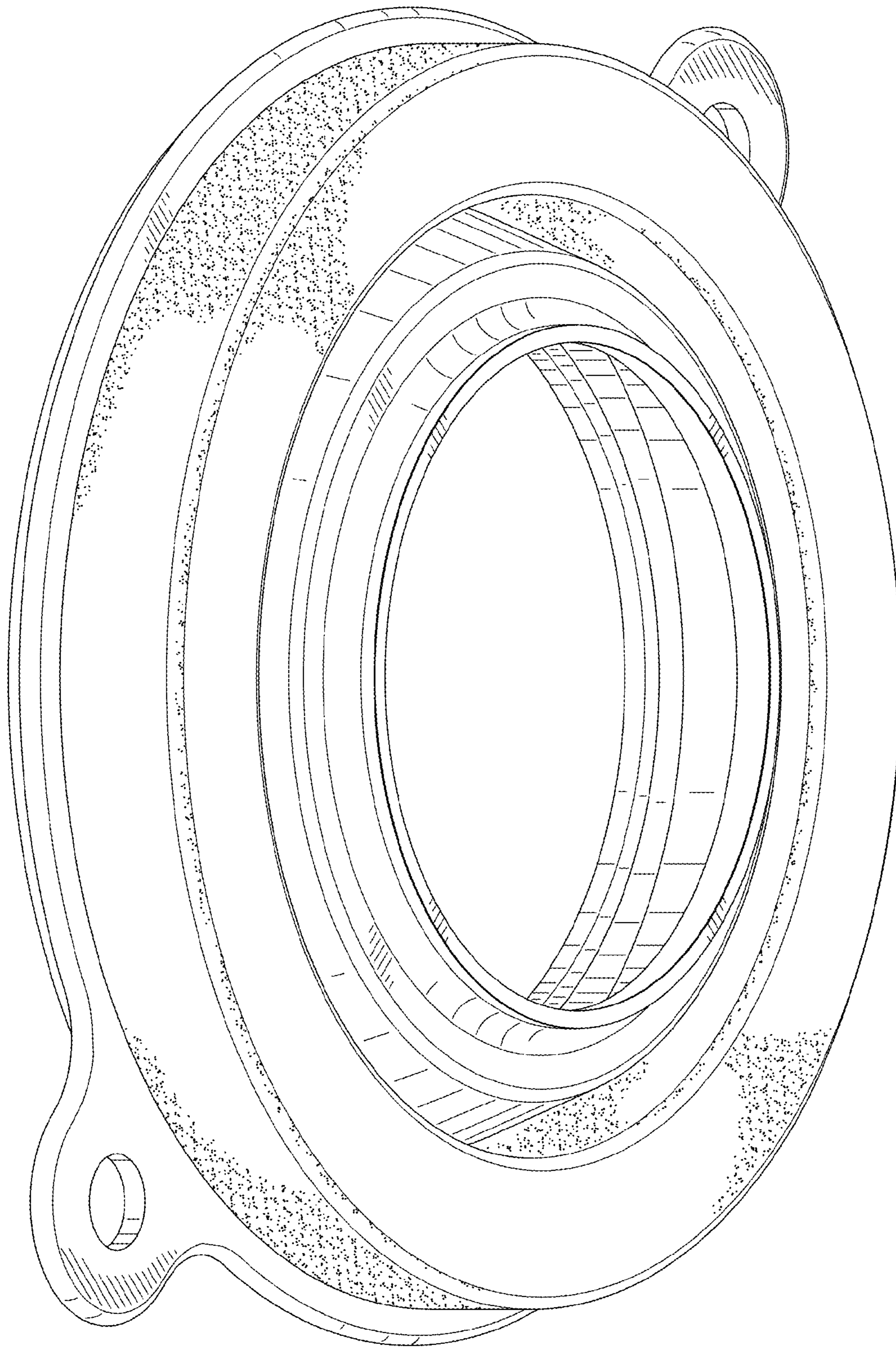


FIG. 16

UNITED STATES PATENT AND TRADEMARK OFFICE
CERTIFICATE OF CORRECTION

PATENT NO. : D728,759 S
APPLICATION NO. : 29/495926
DATED : May 5, 2015
INVENTOR(S) : Gonzalez et al.

Page 1 of 1

It is certified that error appears in the above-identified patent and that said Letters Patent is hereby corrected as shown below:

Title Page, Item (12) delete "Gonzalez" and insert --Gonzalez et al.--.

Title Page, Item (72) Inventor should read

--(72) Inventors: Pedro Gonzalez, San Pedro Garza Garcia (MX); Adam Robert Sampson, Ramona, CA (US); Tuan Van Le, Fountain Valley, CA (US); Krishnaditya Arkalgud, Oceanside, CA (US); Eduardo Coronado, San Pedro Garza Garcia (MX)--.

Signed and Sealed this
Tenth Day of November, 2015



Michelle K. Lee
Director of the United States Patent and Trademark Office

UNITED STATES PATENT AND TRADEMARK OFFICE
CERTIFICATE OF CORRECTION

PATENT NO. : D728,759 S
APPLICATION NO. : 29/495926
DATED : May 5, 2015
INVENTOR(S) : Gonzalez et al.

Page 1 of 1

It is certified that error appears in the above-identified patent and that said Letters Patent is hereby corrected as shown below:

Title Page, Item (12) "Gonzalez" should read -- Gonzalez , et al. --.

Title Page, Item (72) Inventor is corrected to read:
-- Pedro Gonzalez, San Pedro Garza Garcia (MX);
Adam Robert Sampson, Ramona (CA);
Tuan Van Le, Fountain Valley, (CA);
Krishnaditya Arkalgud, Oceanside (CA);
Eduardo Coronado, San Pedro Garza Garcia (MX) --.

Signed and Sealed this
Twenty-ninth Day of December, 2015



Michelle K. Lee
Director of the United States Patent and Trademark Office