



US00D728757S

(12) **United States Design Patent**  
**Graham**

(10) **Patent No.:** **US D728,757 S**

(45) **Date of Patent:** **\*\* May 5, 2015**

(54) **GASKET**

(71) Applicant: **Michael Graham**, Elmira, NY (US)

(72) Inventor: **Michael Graham**, Elmira, NY (US)

(\*\*) Term: **14 Years**

(21) Appl. No.: **29/441,369**

(22) Filed: **Jan. 4, 2013**

**Related U.S. Application Data**

(63) Continuation-in-part of application No. 13/068,753, filed on Apr. 18, 2011, now abandoned.

(51) **LOC (10) Cl.** ..... **23-01**

(52) **U.S. Cl.**  
USPC ..... **D23/269**

(58) **Field of Classification Search**  
USPC ..... D23/259, 260, 262, 269; D13/133, 148, D13/154, 184, 199; 285/95, 104, 105, 232, 285/337, 370; 277/351, 504, 563, 572, 602, 277/608, 625, 626, 910; 137/516.29  
See application file for complete search history.

(56) **References Cited**

**U.S. PATENT DOCUMENTS**

3,967,326	A *	7/1976	Tammen	.....	4/252.5
D326,710	S *	6/1992	Valls	.....	D23/269
D360,021	S *	7/1995	Sonden et al.	.....	D23/262
D386,246	S *	11/1997	Sonden et al.	.....	D23/262
6,042,121	A *	3/2000	Ma et al.	.....	277/608
D447,223	S *	8/2001	Mattsson et al.	.....	D23/269

D456,071	S *	4/2002	Mattsson et al.	.....	D23/393
D498,826	S *	11/2004	Takahiro et al.	.....	D23/269
D504,503	S *	4/2005	Thurman	.....	D23/393
D515,675	S *	2/2006	Tremoulet et al.	.....	D23/269
D534,253	S *	12/2006	Sandman et al.	.....	D23/269
D614,271	S *	4/2010	Weston	.....	D23/269
D631,948	S *	2/2011	Yoshida et al.	.....	D23/269
D638,522	S *	5/2011	Yoshida et al.	.....	D23/269
D638,523	S *	5/2011	Yoshida et al.	.....	D23/269
D655,401	S *	3/2012	Muramatsu	.....	D23/269
D655,797	S *	3/2012	Muramatsu	.....	D23/269
D681,176	S *	4/2013	Chacko	.....	D23/269
D706,908	S *	6/2014	Knapp	.....	D23/269
D706,909	S *	6/2014	Van de Klippe et al.	....	D23/269
D715,412	S *	10/2014	Sgherri	.....	D23/269
2006/0208429	A1 *	9/2006	Happel	.....	277/602

\* cited by examiner

*Primary Examiner* — Eric Goodman

*Assistant Examiner* — Daniel J Domino

(74) *Attorney, Agent, or Firm* — Thomas T. Aquilla; Aquilla Patents & Marks PLLC

(57) **CLAIM**

I claim the ornamental design for a gasket, as shown.

**DESCRIPTION**

FIG. 1 is a top-side perspective view of a gasket.

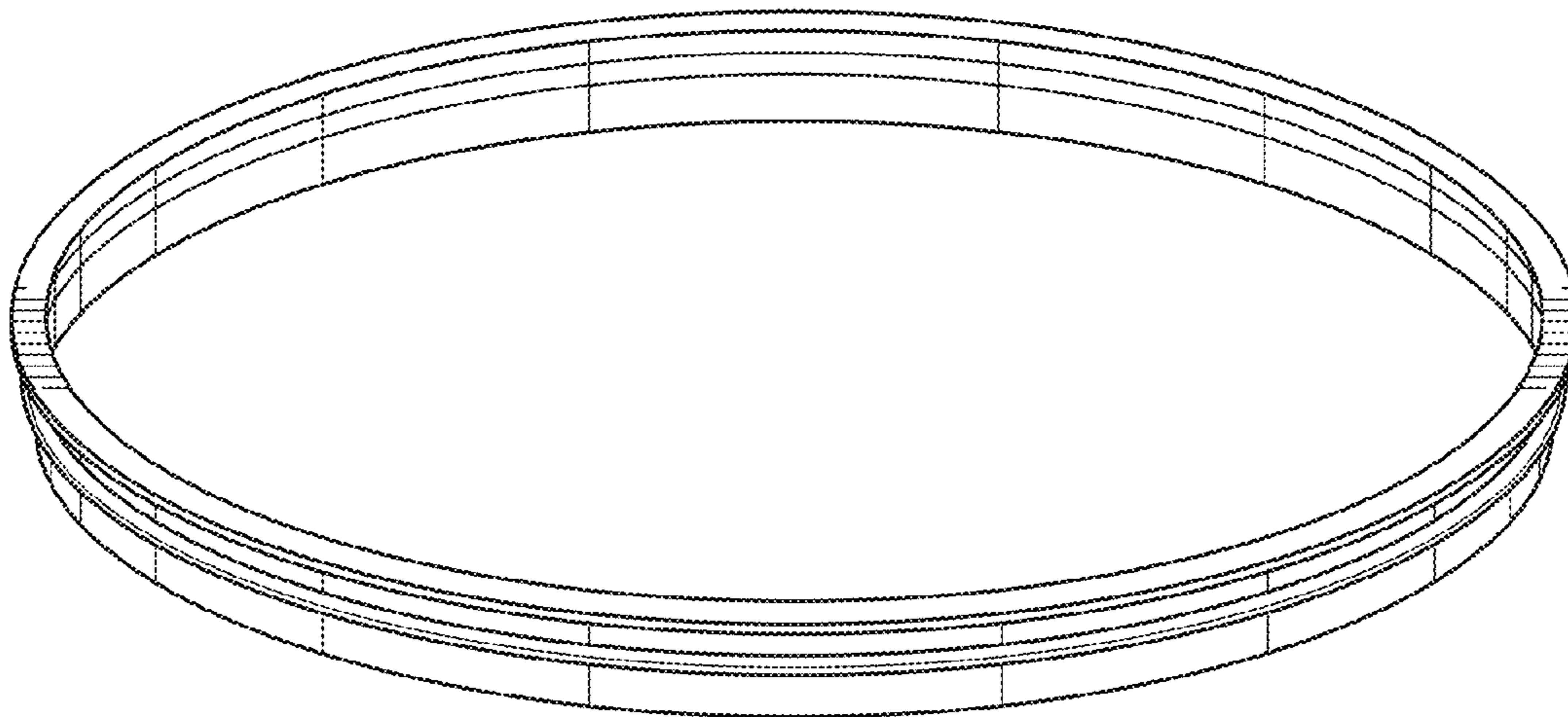
FIG. 2 shows a top plan view of the gasket of the invention.

FIG. 3 shows a bottom plan view of the gasket of the invention.

FIG. 4 shows a single side view of the gasket of the invention; and,

FIG. 5 is a sectional view taken along the line 5-5 of FIG. 2.

**1 Claim, 4 Drawing Sheets**



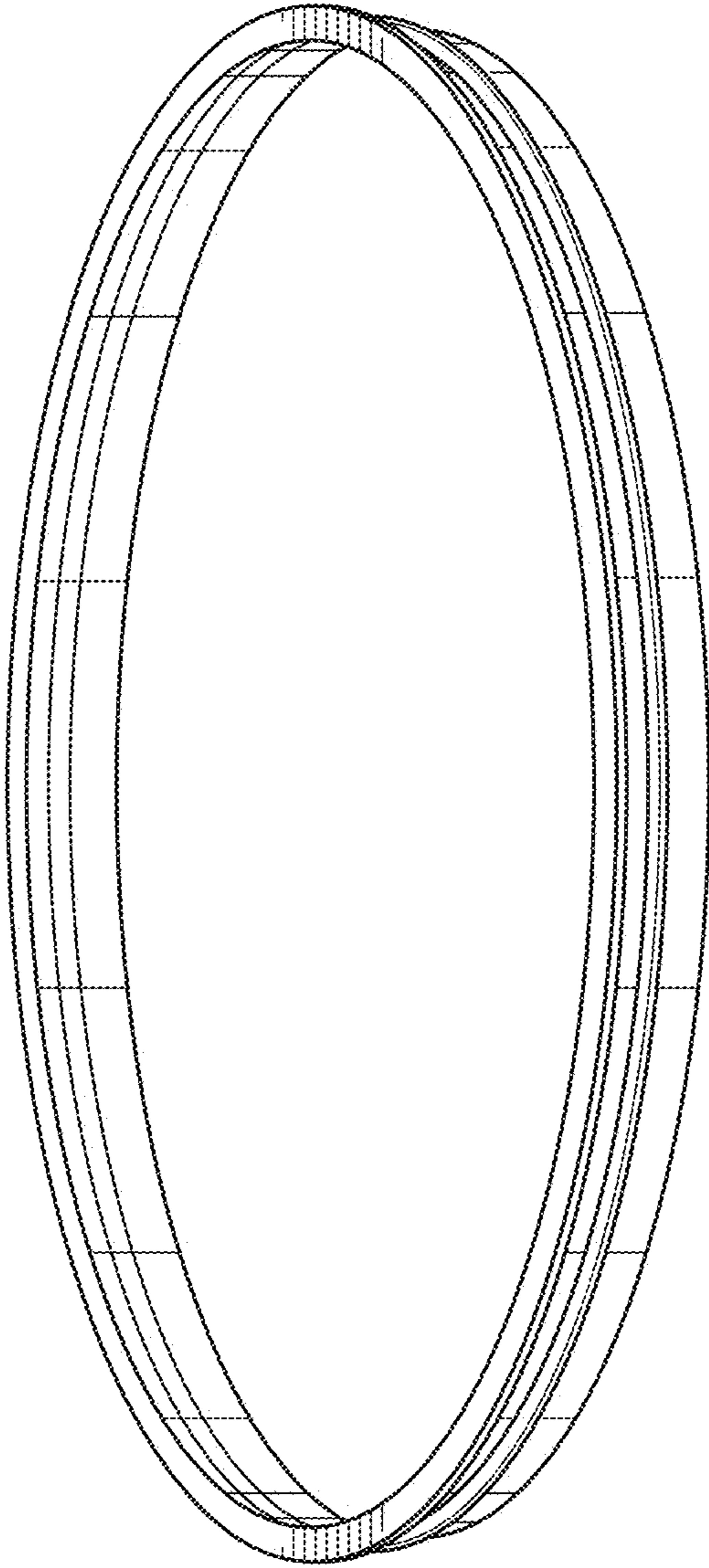


FIG. 1

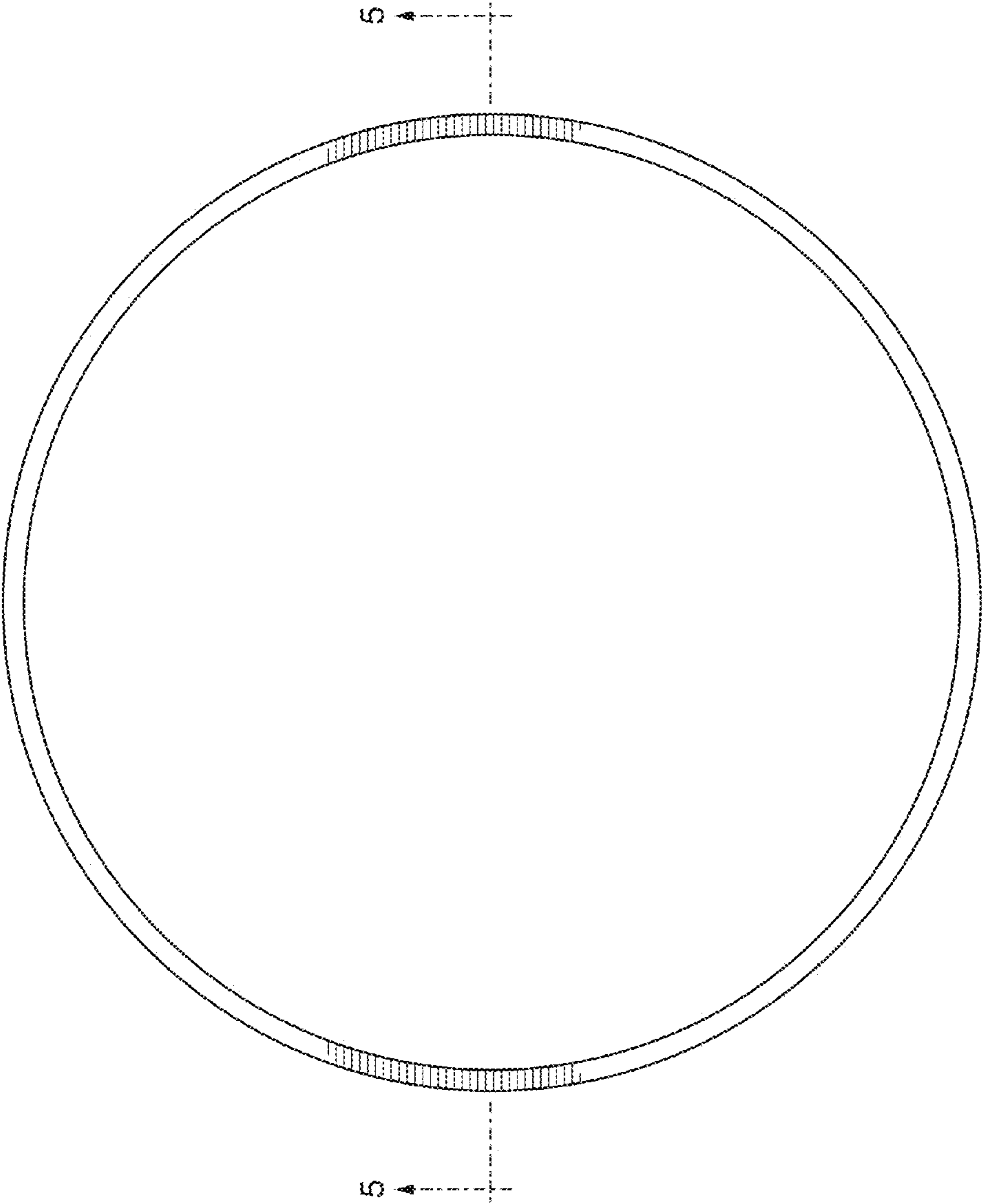


FIG. 2

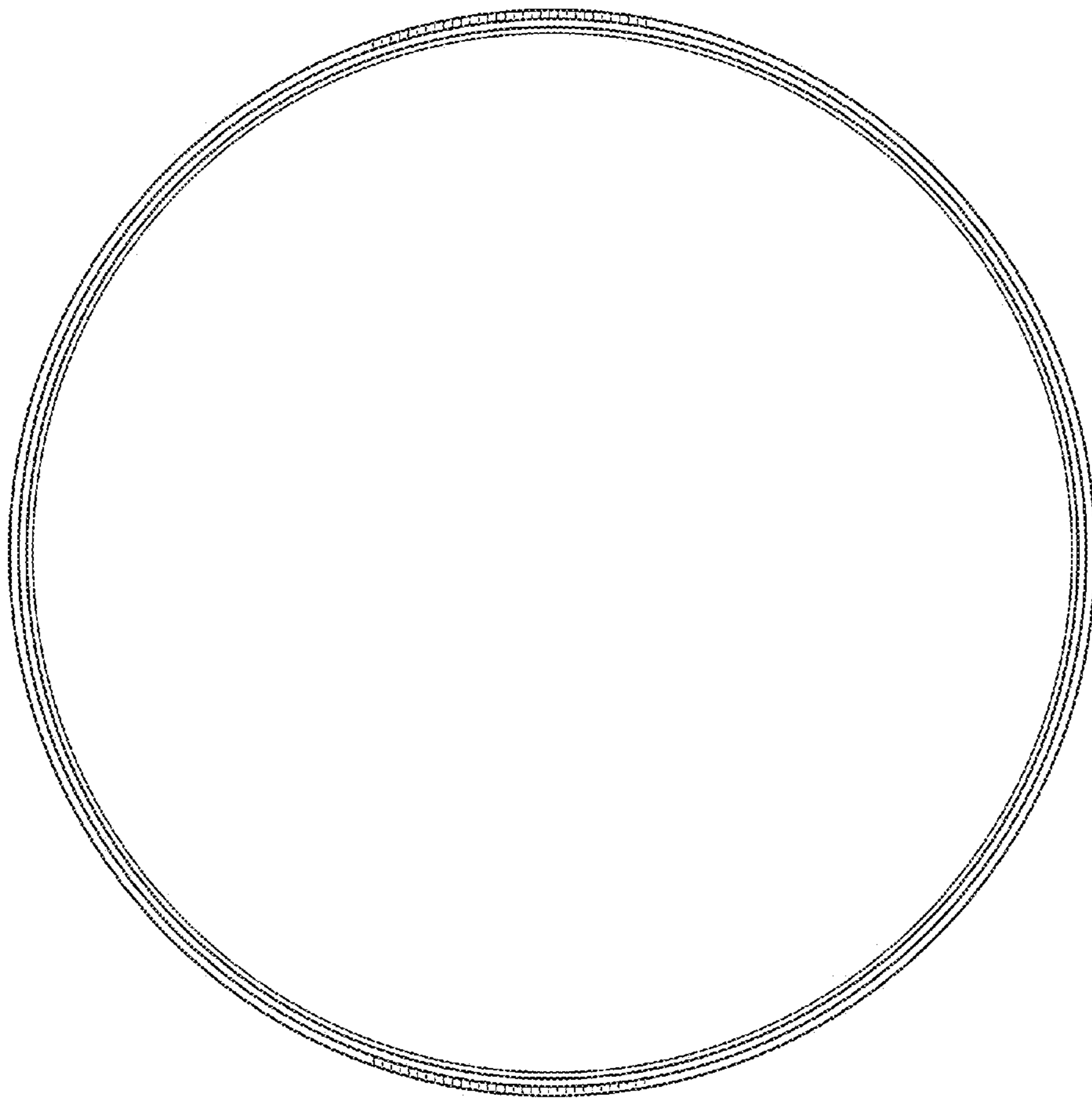


FIG. 3

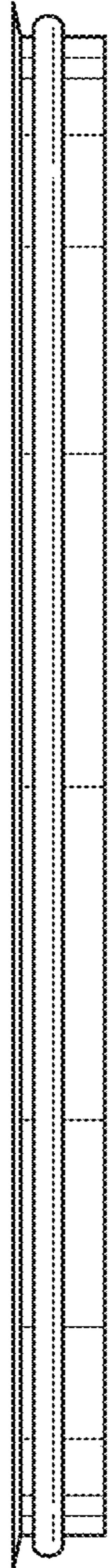


FIG. 4

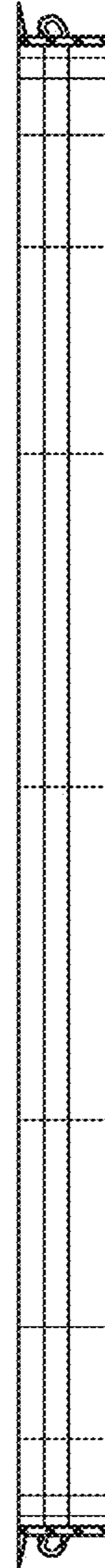


FIG. 5