



US00D728756S

(12) **United States Design Patent**
Savage et al.

(10) **Patent No.:** **US D728,756 S**
(45) **Date of Patent:** **** May 5, 2015**

- (54) **IDENTIFICATION SLEEVE**
- (71) Applicant: **Victaulic Company**, Easton, PA (US)
- (72) Inventors: **Thomas C. Savage**, Doylestown, PA (US); **Lawrence W. Thau, Jr.**, Flemington, NJ (US)
- (73) Assignee: **Victaulic Company**, Easton, PA (US)
- (**) Term: **14 Years**
- (21) Appl. No.: **29/512,810**
- (22) Filed: **Dec. 23, 2014**
Related U.S. Application Data
- (62) Division of application No. 29/445,737, filed on Feb. 15, 2013.
- (51) **LOC (10) Cl.** **23-01**
- (52) **U.S. Cl.**
USPC **D23/266**
- (58) **Field of Classification Search**
USPC D23/213, 223, 224, 2, 229, 230, 259, D23/263, 266; D24/129; D13/155; 138/103, 138/105, 109, 118, 118.1, 121, 122, 126, 138/128, 140, 154, 155, 157, 158, 167, 173, 138/177; 285/58, 83, 124.1, 124.5, 179, 285/179.1
See application file for complete search history.

- (56) **References Cited**
U.S. PATENT DOCUMENTS
2,629,953 A * 2/1953 Safka et al. 40/662
D180,850 S * 8/1957 Stahl et al. D23/266

(Continued)

Primary Examiner — Eric Goodman
Assistant Examiner — Daniel J Domino
(74) *Attorney, Agent, or Firm* — Ballard Spahr LLP

(57) **CLAIM**
We claim the ornamental design for an identification sleeve, as shown and described.

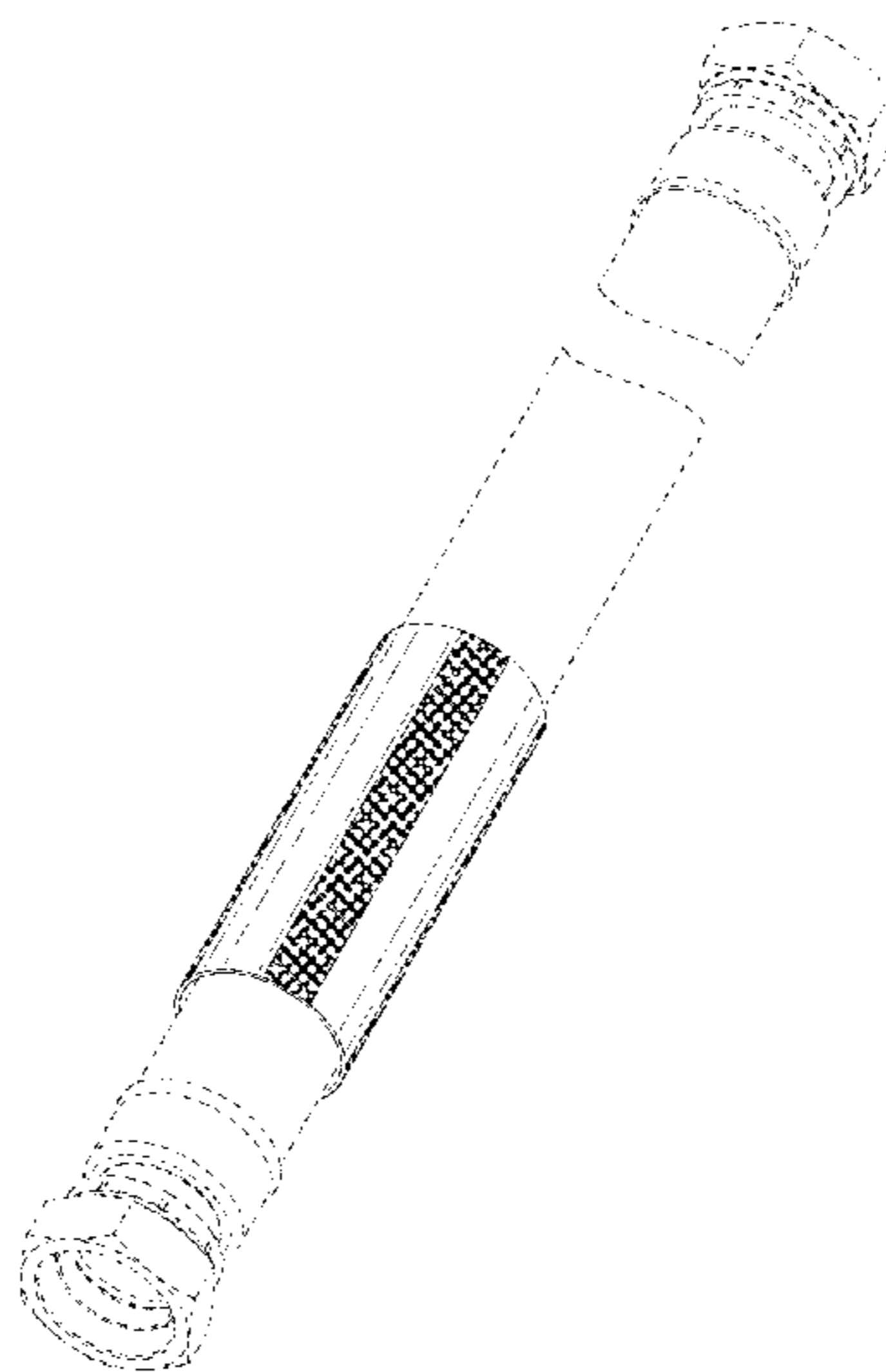
DESCRIPTION

FIG. 1 is an isometric view of a first embodiment of our design for an identification sleeve;

FIG. 2 is a right side view of the design for an identification sleeve shown in FIG. 1, the left side view being identical; FIG. 3 is a top view of the design for an identification sleeve shown in FIG. 1, the bottom view being identical; FIG. 4 is an end view of the design for an identification sleeve shown in FIG. 1, the opposite end view being identical; FIG. 5 is an isometric view of a second embodiment of our design for an identification sleeve; FIG. 6 is a right side view of the design for an identification sleeve shown in FIG. 5, the left side view being identical; FIG. 7 is a top view of the design for an identification sleeve shown in FIG. 5, the bottom view being identical; FIG. 8 is an end view of the design for an identification sleeve shown in FIG. 5, the opposite end view being identical; FIG. 9 is an isometric view of a third embodiment of our design for an identification sleeve; FIG. 10 is a right side view of the design for an identification sleeve shown in FIG. 9, the left side view being identical; FIG. 11 is a top view of the design for an identification sleeve shown in FIG. 9, the bottom view being identical; FIG. 12 is an end view of the design for an identification sleeve shown in FIG. 9, the opposite end view being identical; FIG. 13 is an isometric view of a fourth embodiment of our design for an identification sleeve; FIG. 14 is a right side view of the design for an identification sleeve shown in FIG. 13, the left side view being identical; FIG. 15 is a top view of the design for an identification sleeve shown in FIG. 13, the bottom view being identical; and, FIG. 16 is an end view of the design for an identification sleeve shown in FIG. 13, the opposite end view being identical.

Drawings 1-3 and 9-11 are lined for color, the color being orange.
Drawings 5-7 and 13-15 are lined to show contrasting colors. The broken lines shown in the figures are for the purpose of illustrating environment only and form no part of the claimed design.

1 Claim, 12 Drawing Sheets



(56)

References Cited

U.S. PATENT DOCUMENTS

2,907,351	A *	10/1959	Rohrback et al.	285/55	5,771,941	A *	6/1998	Almeida	138/149
2,932,065	A *	4/1960	Jenkins	264/570	6,302,152	B1 *	10/2001	Mulligan	138/125
3,924,661	A *	12/1975	Bornhoffer	138/110	6,338,366	B1 *	1/2002	Williams	138/149
4,215,384	A *	7/1980	Elson	361/215	6,409,606	B1 *	6/2002	Nakajima et al.	464/181
4,865,890	A *	9/1989	Erlichman	428/35.1	6,550,499	B1 *	4/2003	Pai	138/104
5,122,401	A *	6/1992	Finkelstein	428/36.5	7,021,052	B1 *	4/2006	Hicks	60/313
5,560,397	A *	10/1996	Miller et al.	138/110	D605,737	S *	12/2009	von Glanstaetten et al.	D23/266
5,727,599	A *	3/1998	Fisher et al.	138/156	2007/0209728	A1 *	9/2007	Mazzo	138/125
						2008/0190506	A1 *	8/2008	Cleveland	138/110
						2014/0144538	A1 *	5/2014	Sillasen et al.	138/109
						2014/0231103	A1 *	8/2014	Savage et al.	169/16

* cited by examiner

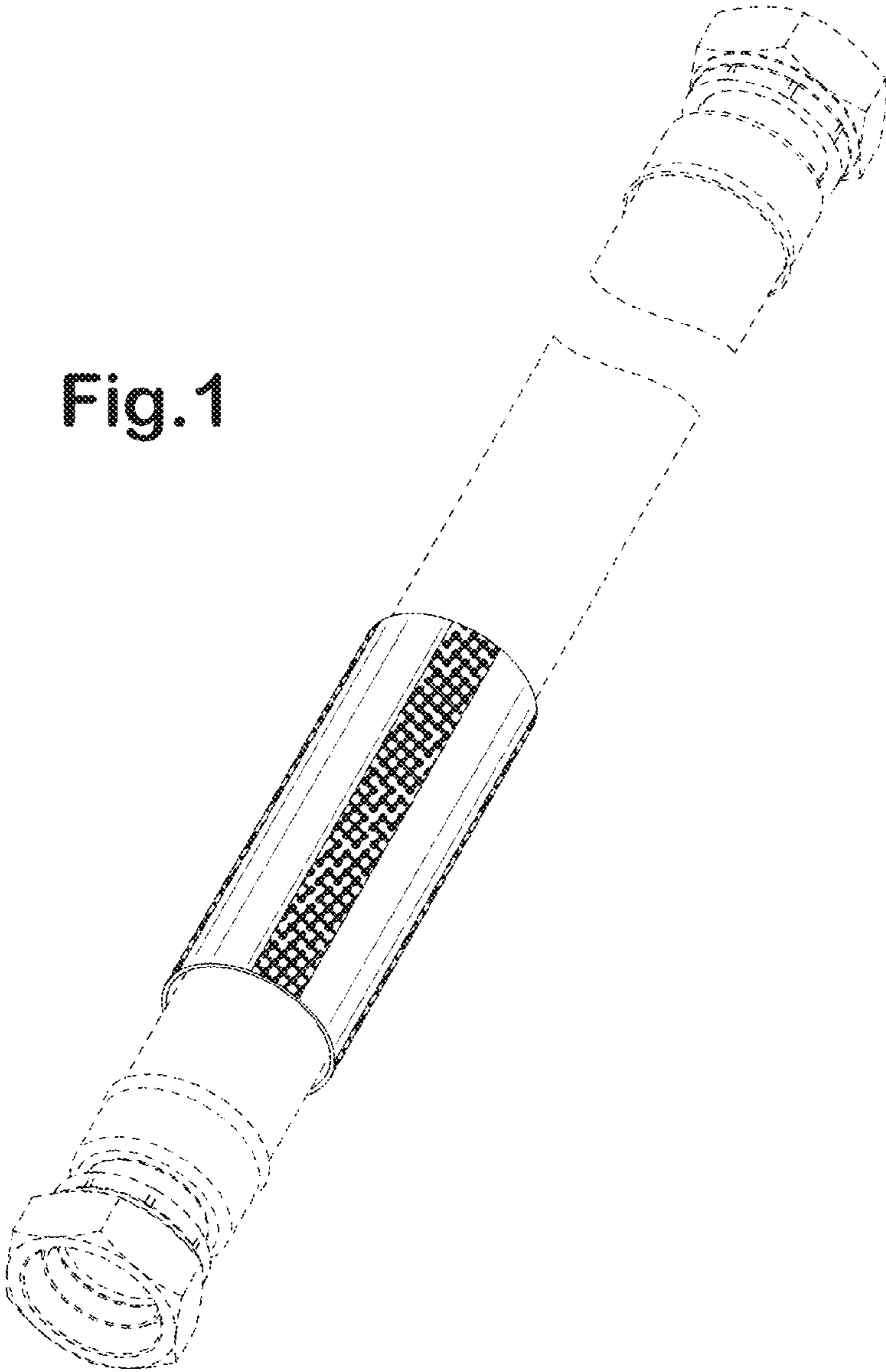


Fig. 1

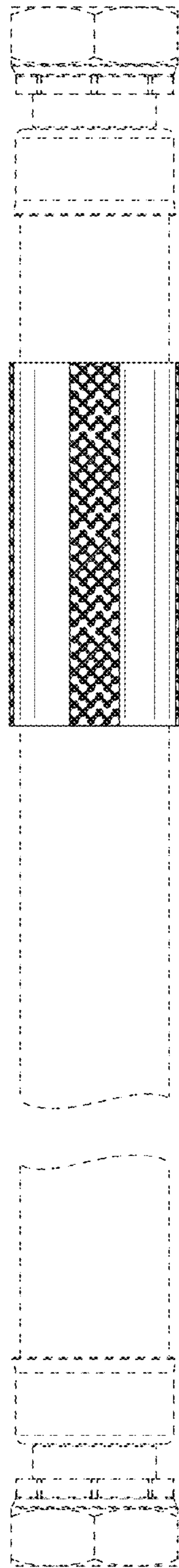


Fig. 2

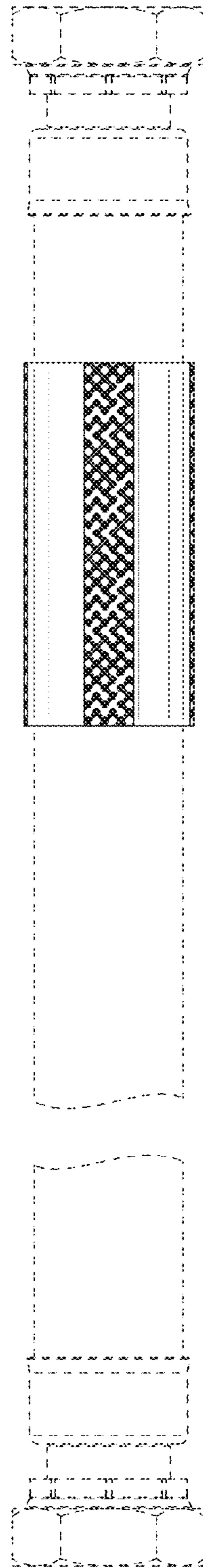


Fig. 3

Fig.4

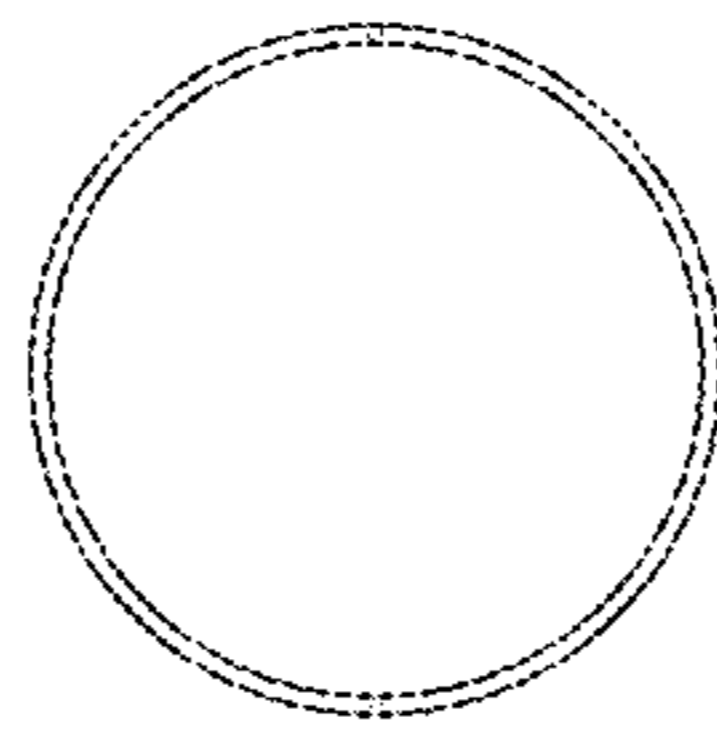
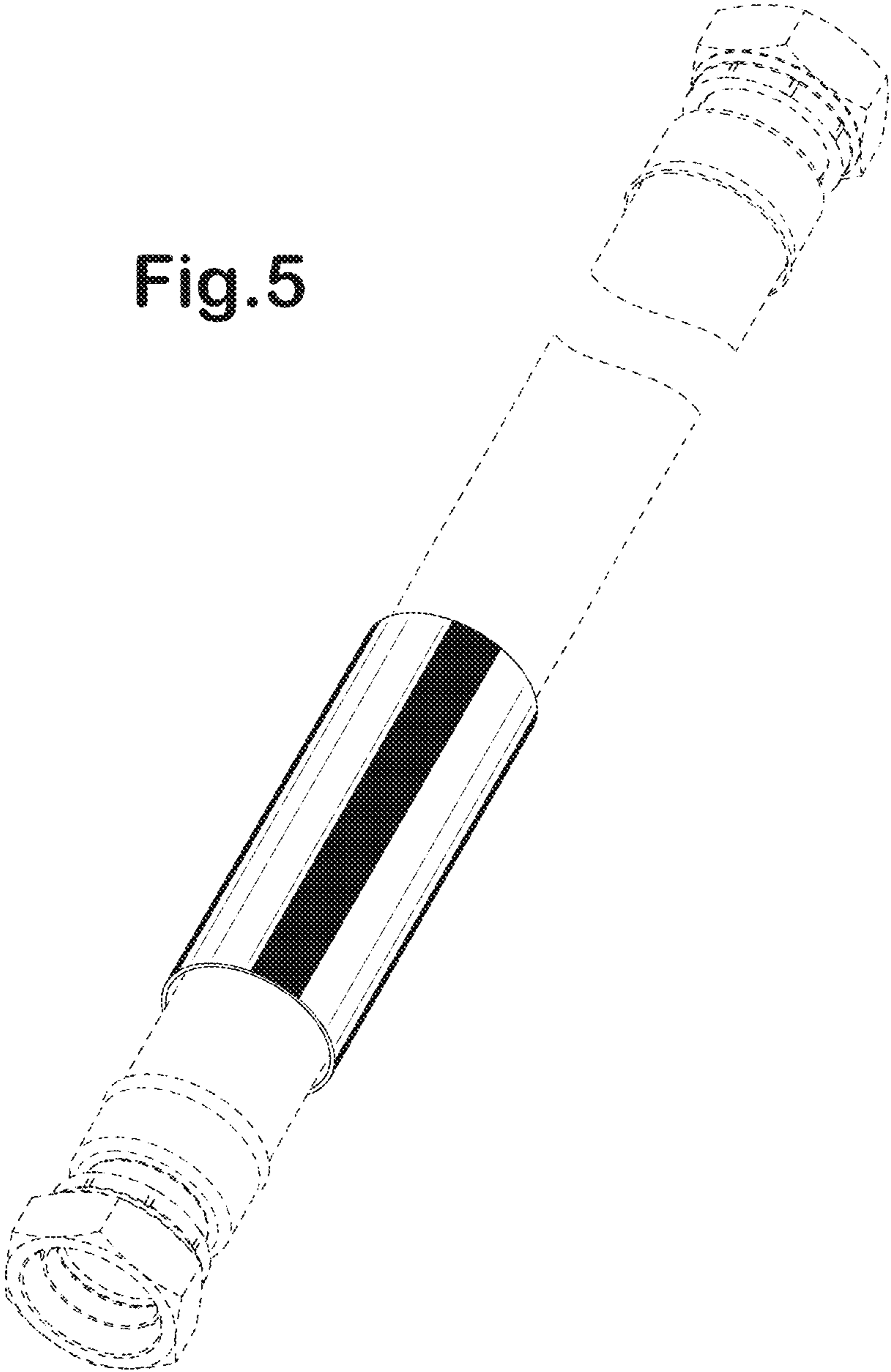


Fig.5



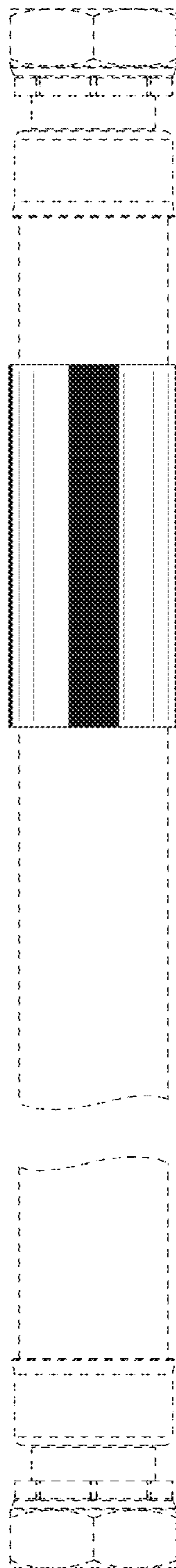


Fig. 6

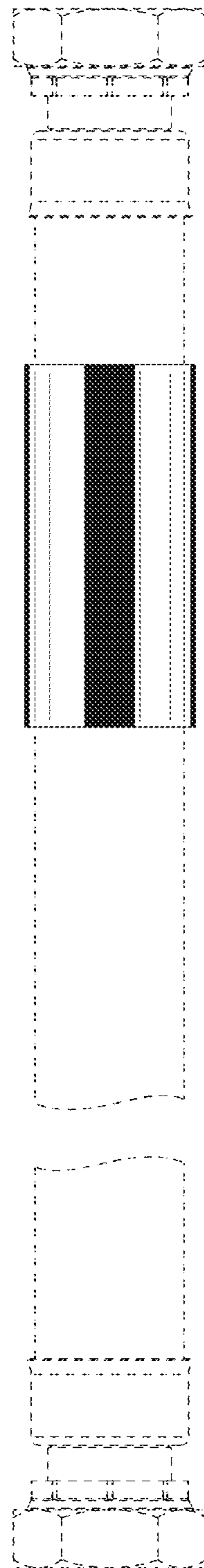


Fig. 7

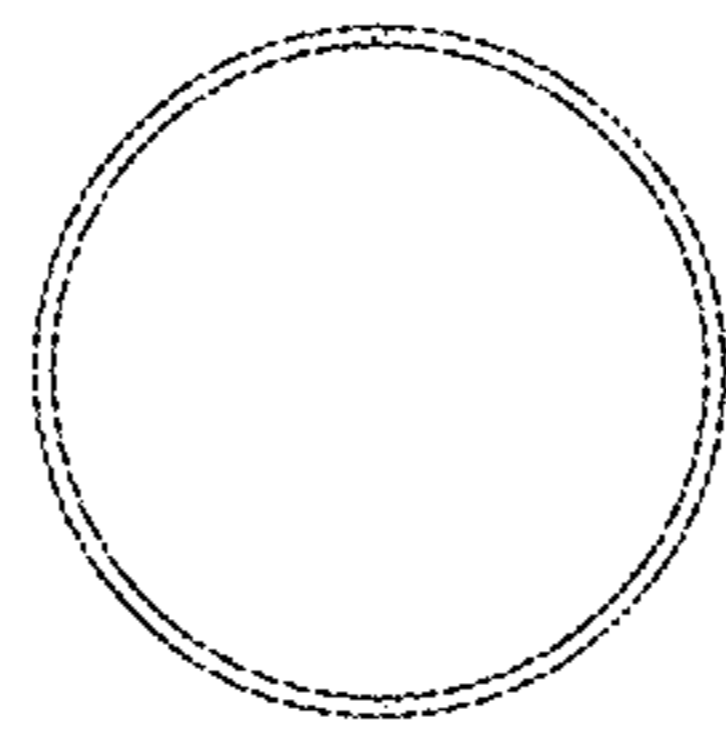
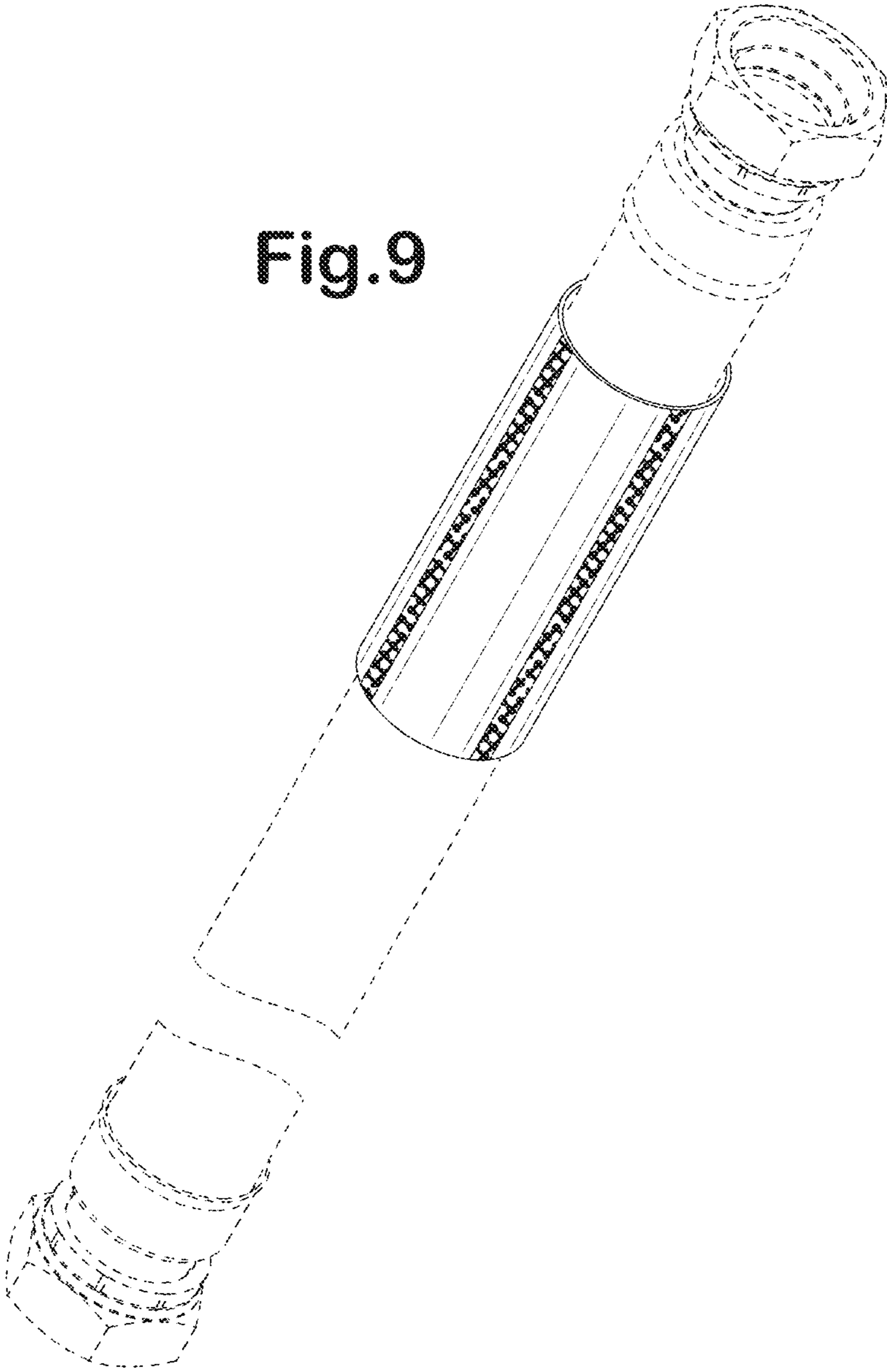


Fig.8

Fig.9



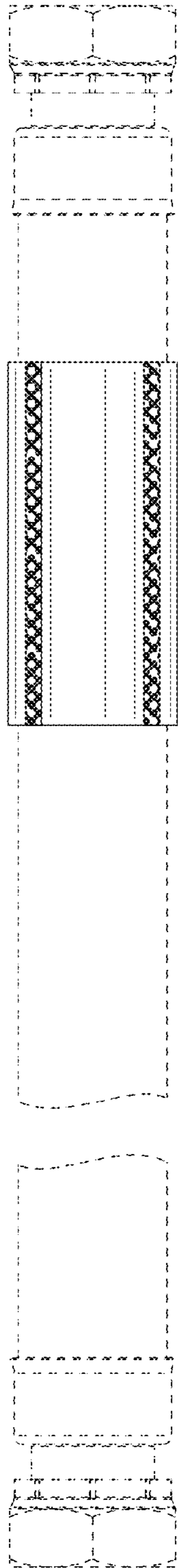


Fig. 10

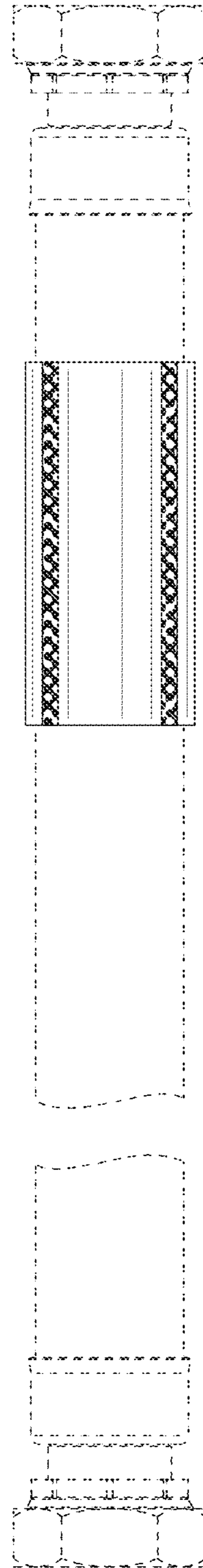


Fig. 11

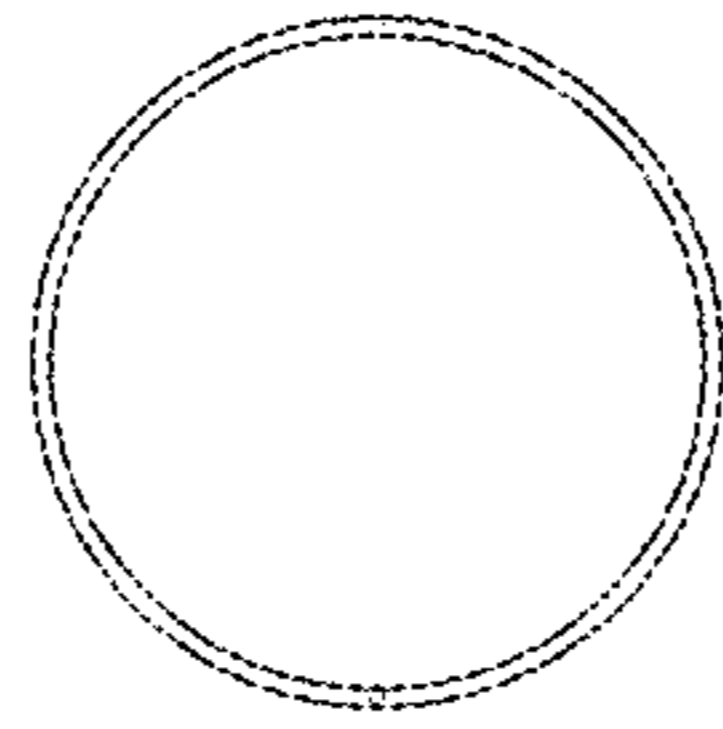
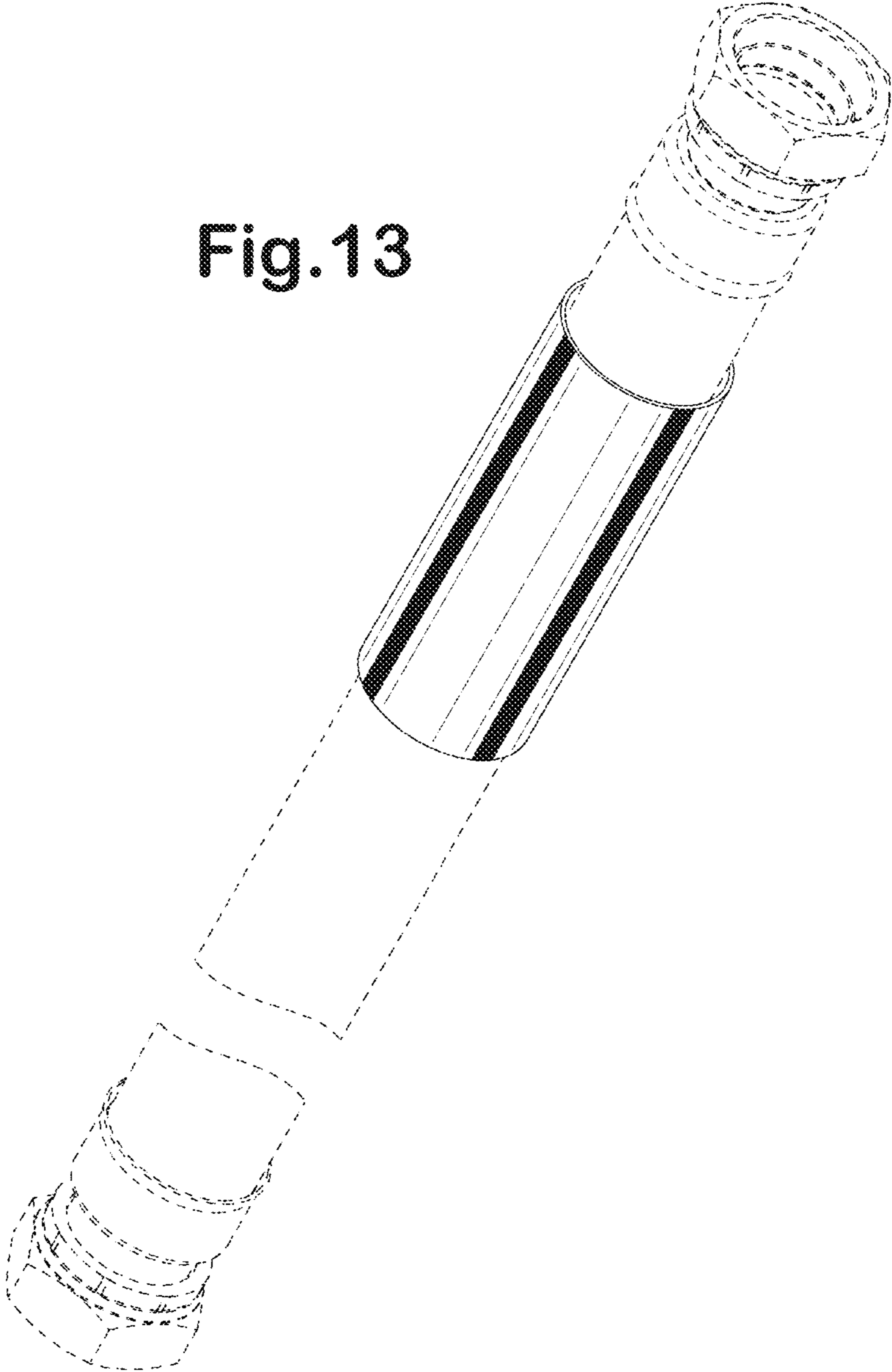


Fig.12

Fig. 13



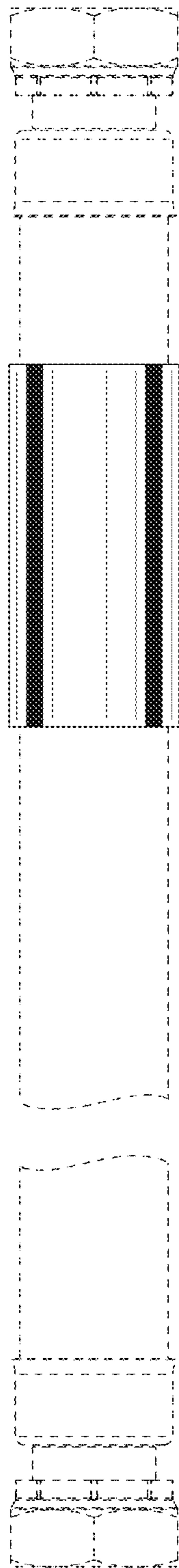


Fig.14

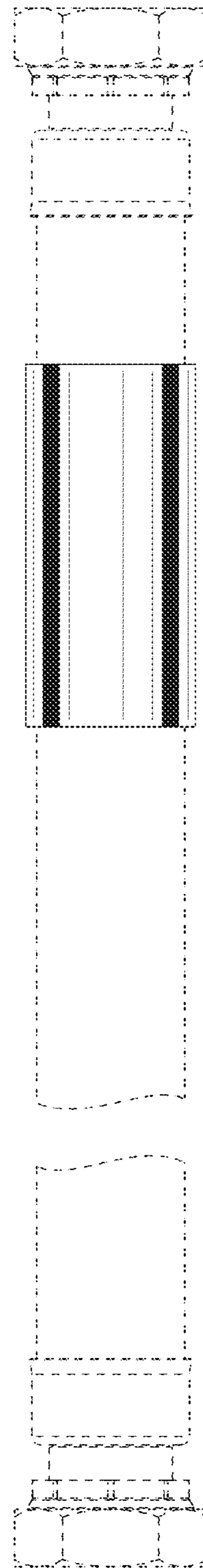


Fig.15

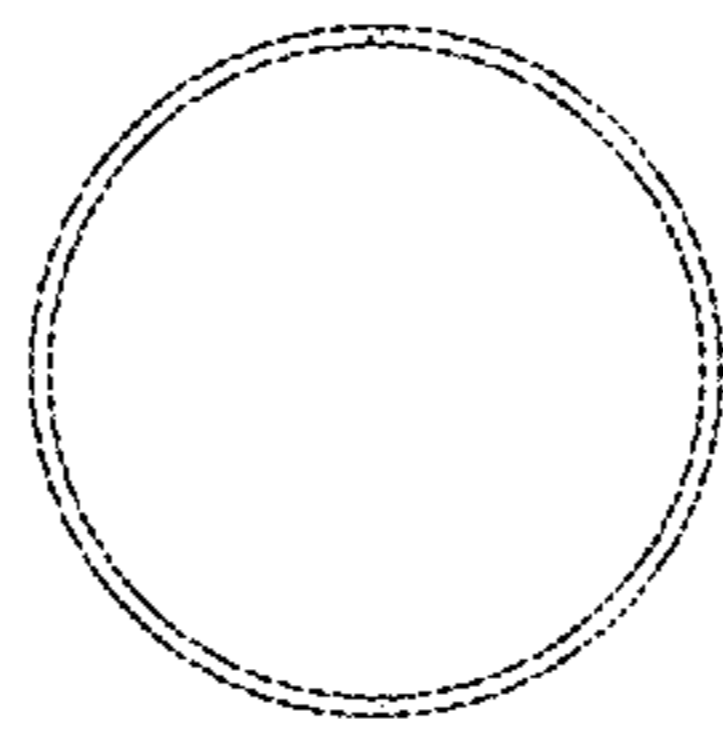


Fig.16