



US00D728752S

(12) **United States Design Patent**  
**Browning**

(10) **Patent No.:** **US D728,752 S**

(45) **Date of Patent:** **\*\* May 5, 2015**

(54) **ELBOW**

(71) Applicant: **James R. Browning**, Berea, OH (US)

(72) Inventor: **James R. Browning**, Berea, OH (US)

(\*\*) Term: **14 Years**

(21) Appl. No.: **29/452,928**

(22) Filed: **Apr. 23, 2013**

(51) **LOC (10) Cl.** ..... **23-01**

(52) **U.S. Cl.**

USPC ..... **D23/263**

(58) **Field of Classification Search**

USPC ..... D23/259, 262, 263, 266; D24/129;  
D13/154, 155; 138/105, 109, 155, 167,  
138/177; 285/58, 179, 179.1, 182

See application file for complete search history.

(56) **References Cited**

**U.S. PATENT DOCUMENTS**

D52,954	S	*	2/1919	Hubbard et al.	.....	D13/155
1,881,979	A	*	10/1932	Taylor	.....	285/22
2,385,202	A	*	9/1945	Haas, Jr. et al.	.....	138/161
2,966,372	A	*	12/1960	Phillips	.....	285/39
D202,406	S	*	9/1965	Bennett et al.	.....	D23/263
D229,410	S	*	11/1973	Luckenbill et al.	.....	D23/263
D234,463	S	*	3/1975	Ahlrot et al.	.....	D23/263
D291,481	S	*	8/1987	Vassallo et al.	.....	D23/263
D468,001	S	*	12/2002	Teskey	.....	D23/259
D556,899	S	*	12/2007	Veliss et al.	.....	D24/110.1
D586,433	S	*	2/2009	Price et al.	.....	D23/259
D599,446	S	*	9/2009	Price et al.	.....	D23/262

D599,894	S	*	9/2009	Price et al.	.....	D23/262
D606,388	S	*	12/2009	Werschmidt	.....	D8/382
D615,630	S	*	5/2010	Price et al.	.....	D23/263
D615,631	S	*	5/2010	Price et al.	.....	D23/263
D651,304	S	*	12/2011	Edwards et al.	.....	D24/110.5
D665,062	S	*	8/2012	Ball	.....	D23/263
D676,941	S	*	2/2013	Kluss et al.	.....	D23/262
D705,402	S	*	5/2014	Yu	.....	D23/262
D712,015	S	*	8/2014	Yu	.....	D23/263
2003/0116963	A1	*	6/2003	Teuscher et al.	.....	285/179
2007/0007763	A1	*	1/2007	Deaton	.....	285/179
2011/0309612	A1	*	12/2011	Vautour	.....	285/179
2013/0099477	A1	*	4/2013	Horiguchi	.....	285/179

\* cited by examiner

*Primary Examiner* — Eric Goodman

*Assistant Examiner* — Daniel J Domino

(74) *Attorney, Agent, or Firm* — Benesch, Friedlander, Coplan & Aronoff, LLP

(57) **CLAIM**

What is claimed is the ornamental design for an elbow, as shown and described.

**DESCRIPTION**

FIG. 1 is a perspective view of an elbow showing a new design;

FIG. 2 is a top view of the elbow of FIG. 1;

FIG. 3 is a left side view of the elbow of FIG. 1;

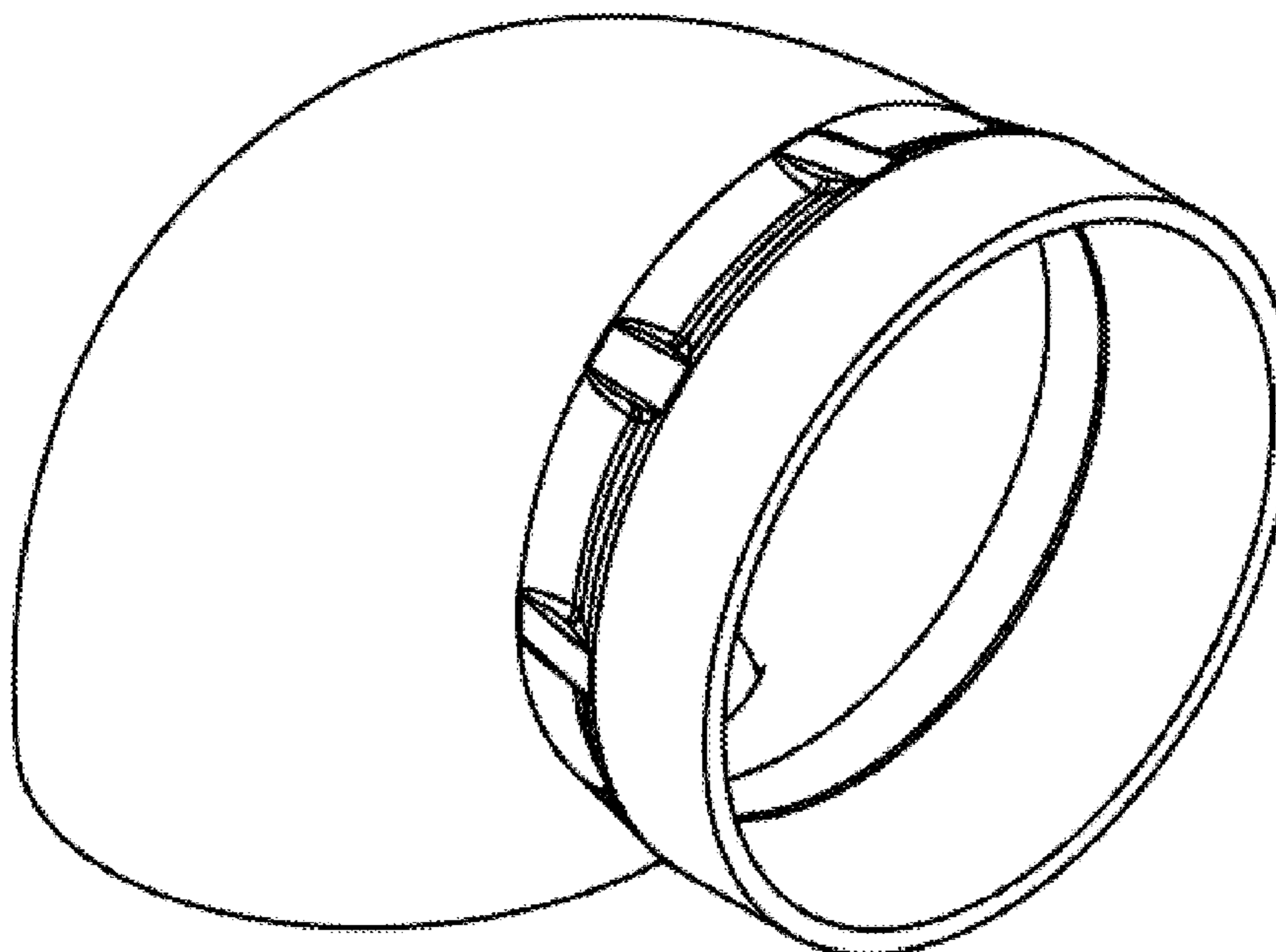
FIG. 4 is a right side view of the elbow of FIG. 1;

FIG. 5 is a front view of the elbow of FIG. 1;

FIG. 6 is a rear view of the elbow of FIG. 1; and,

FIG. 7 is a bottom view of the elbow of FIG. 1.

**1 Claim, 7 Drawing Sheets**



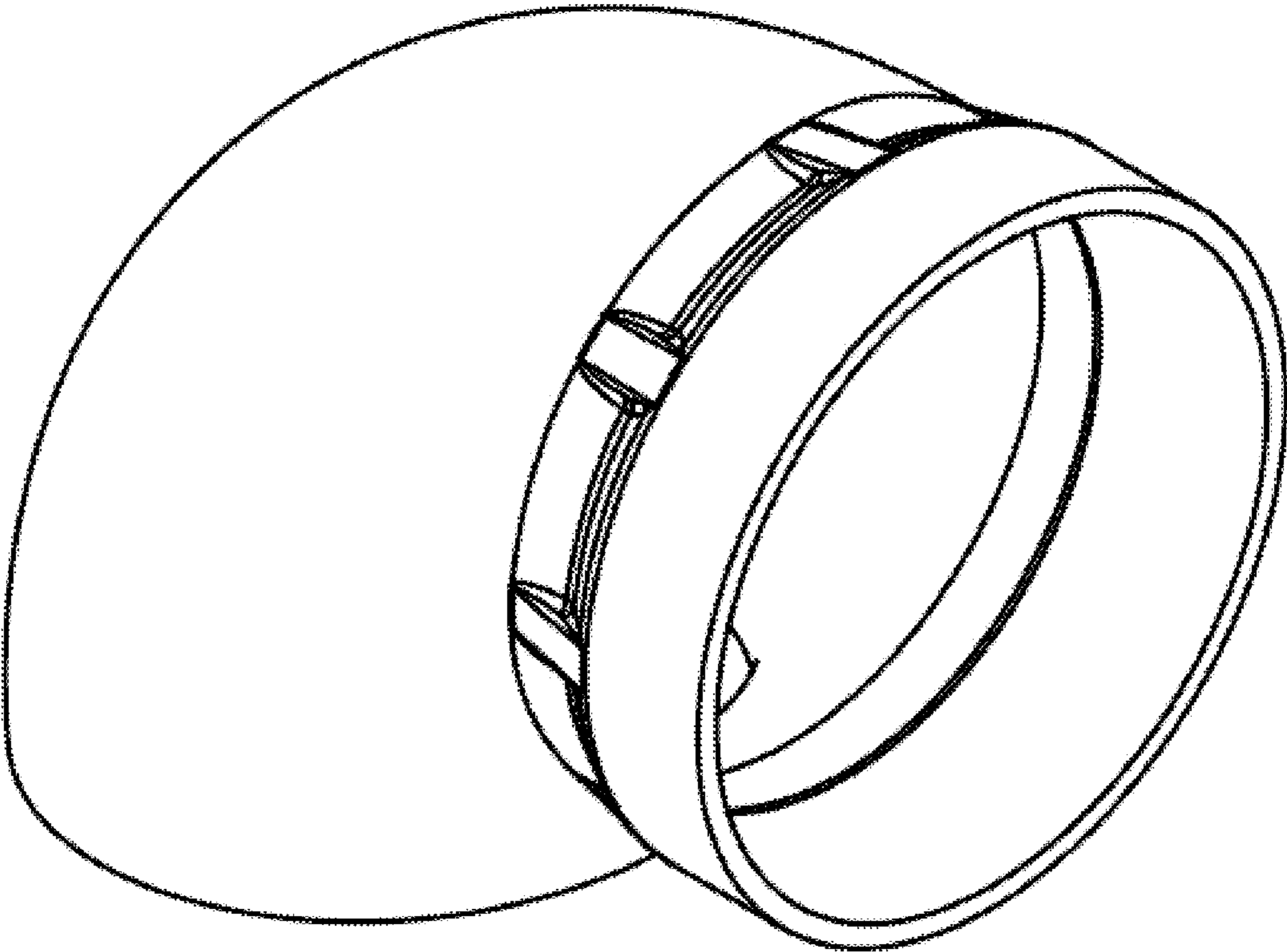


FIG. 1

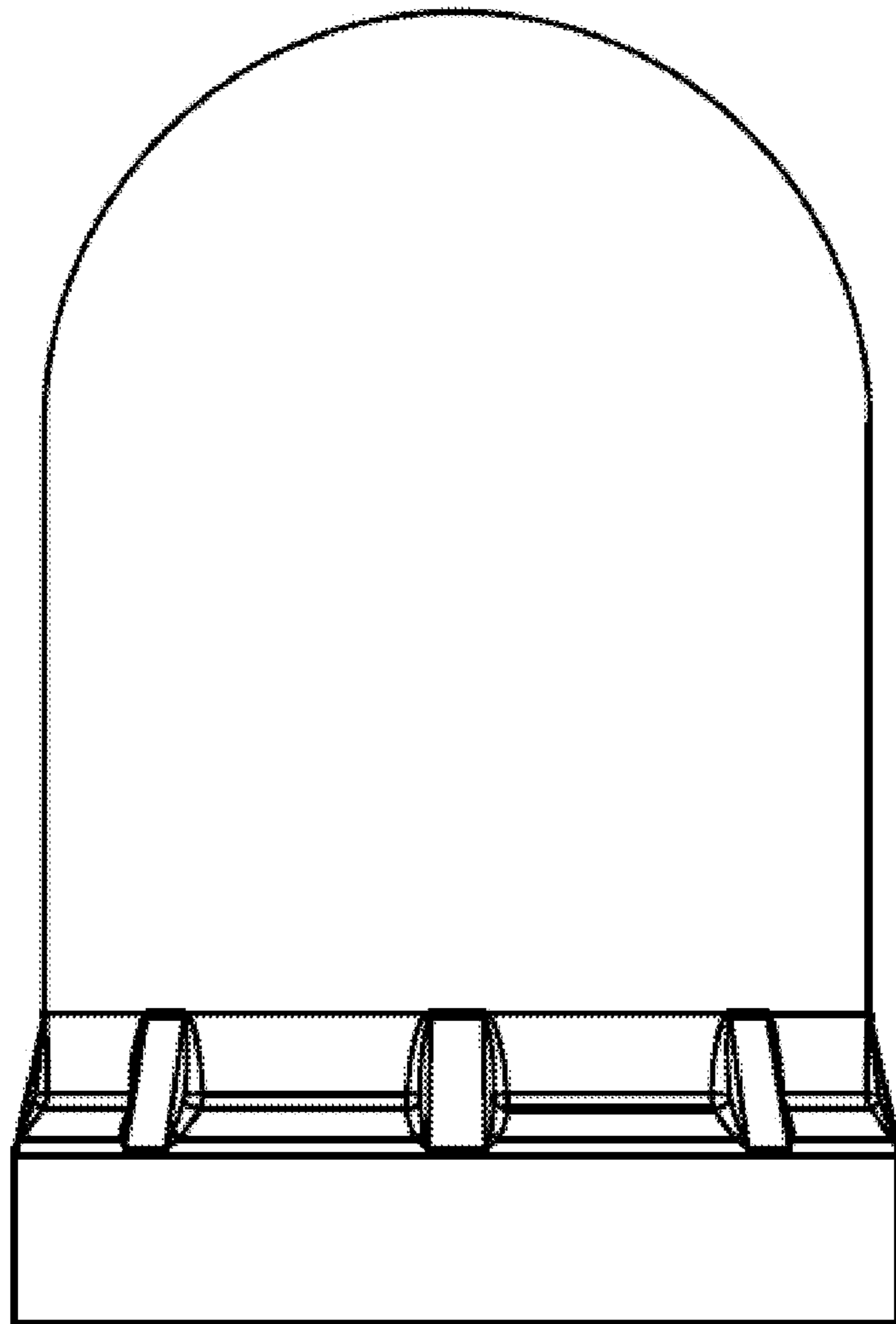


FIG. 2

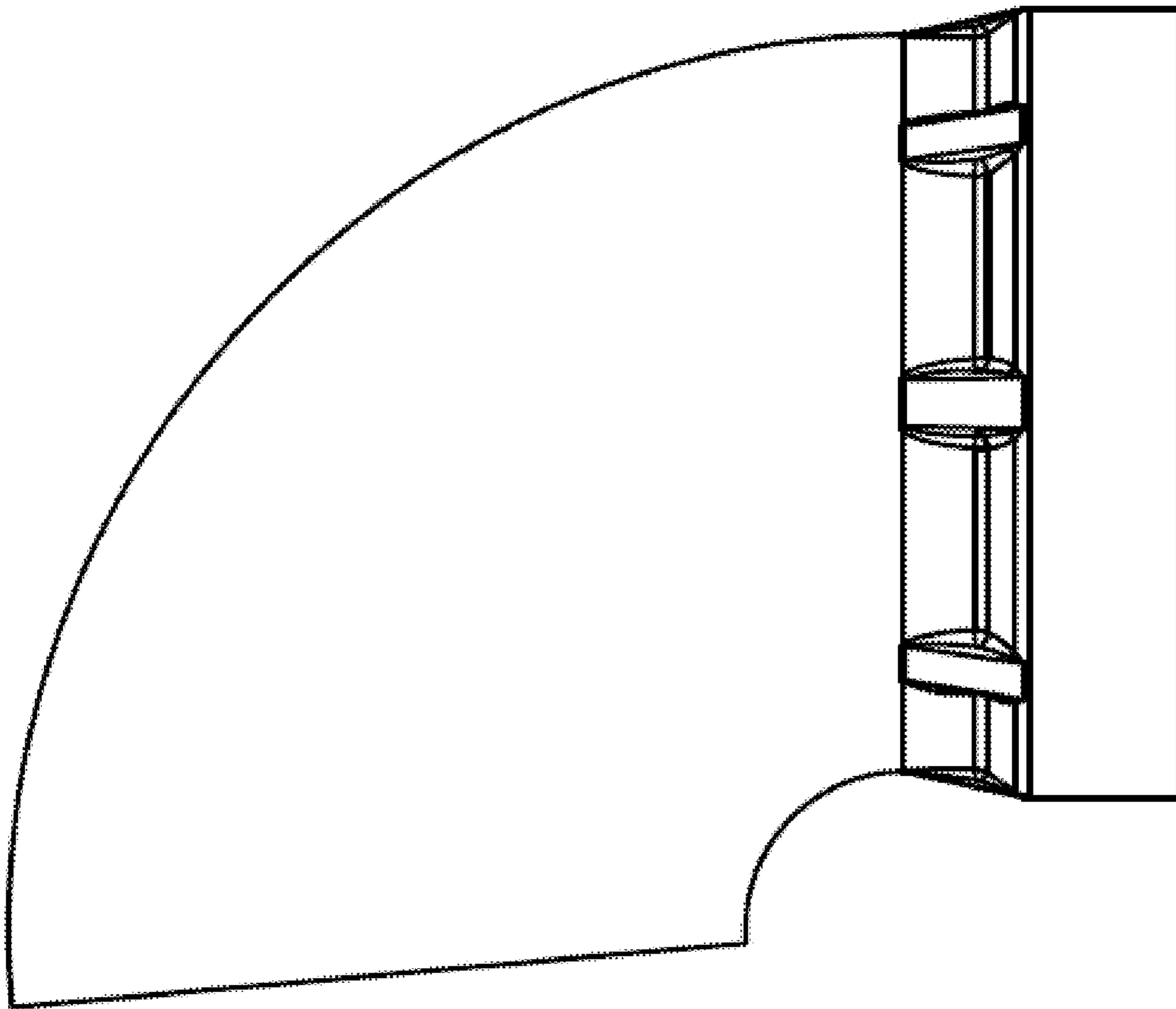


FIG. 3

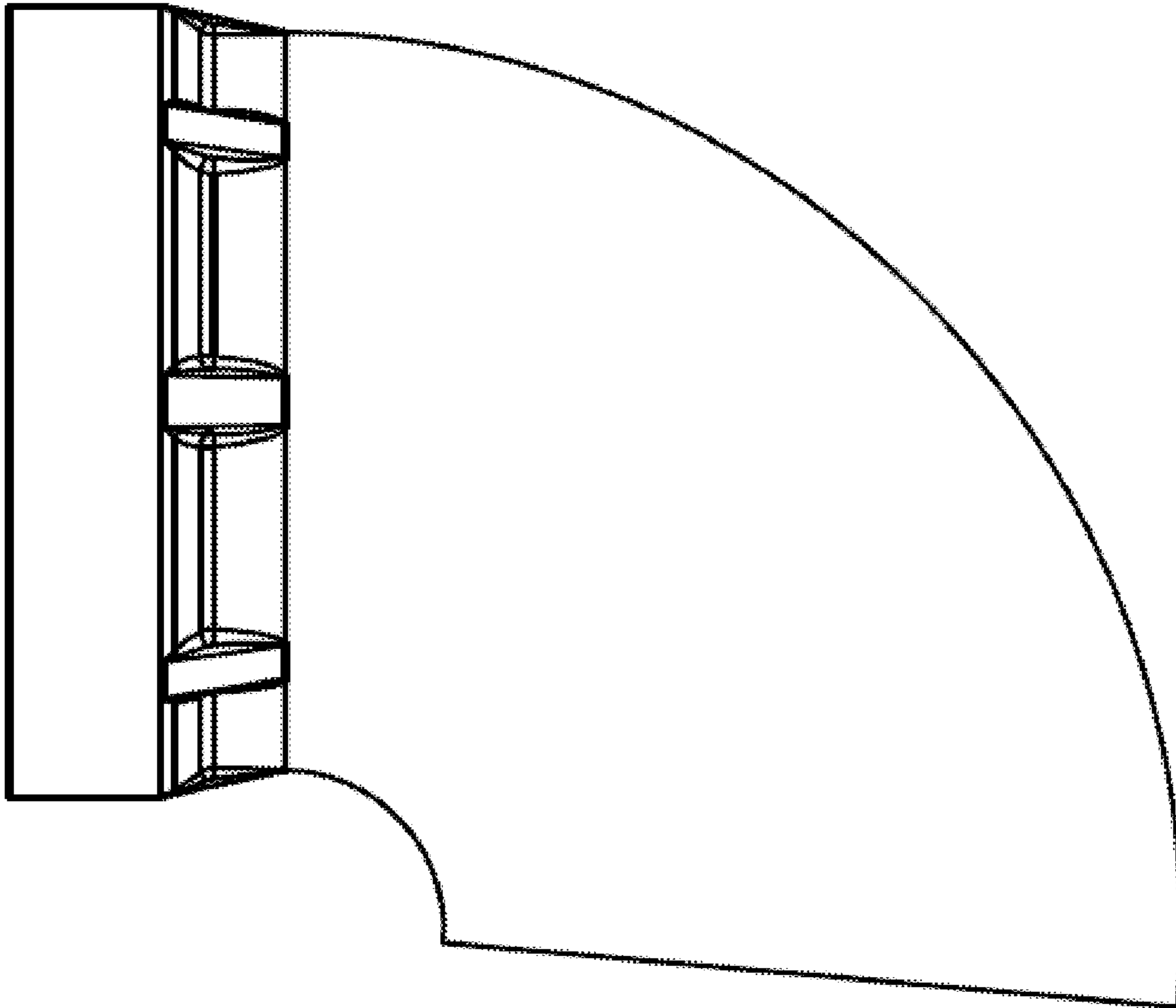


FIG. 4

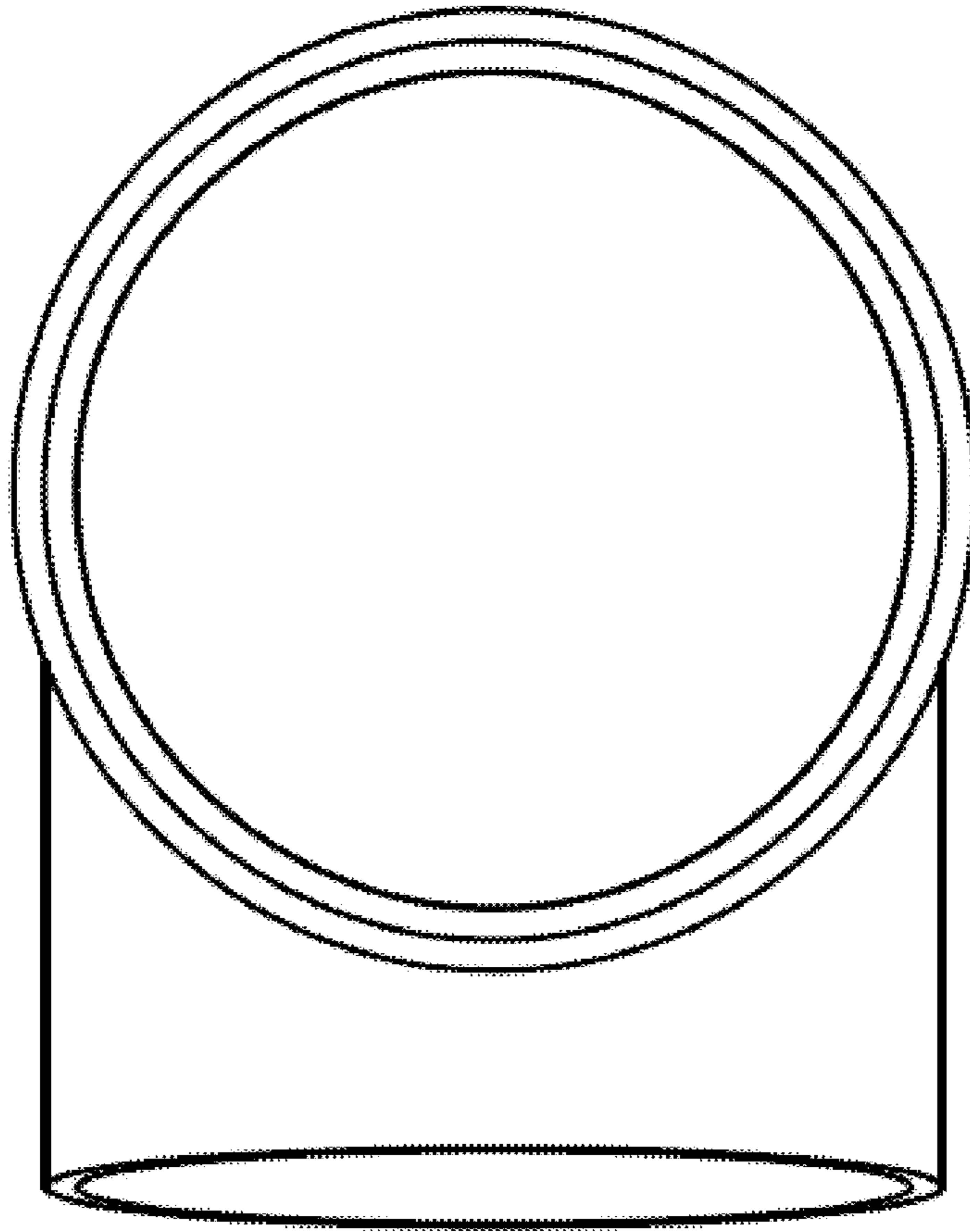


FIG. 5

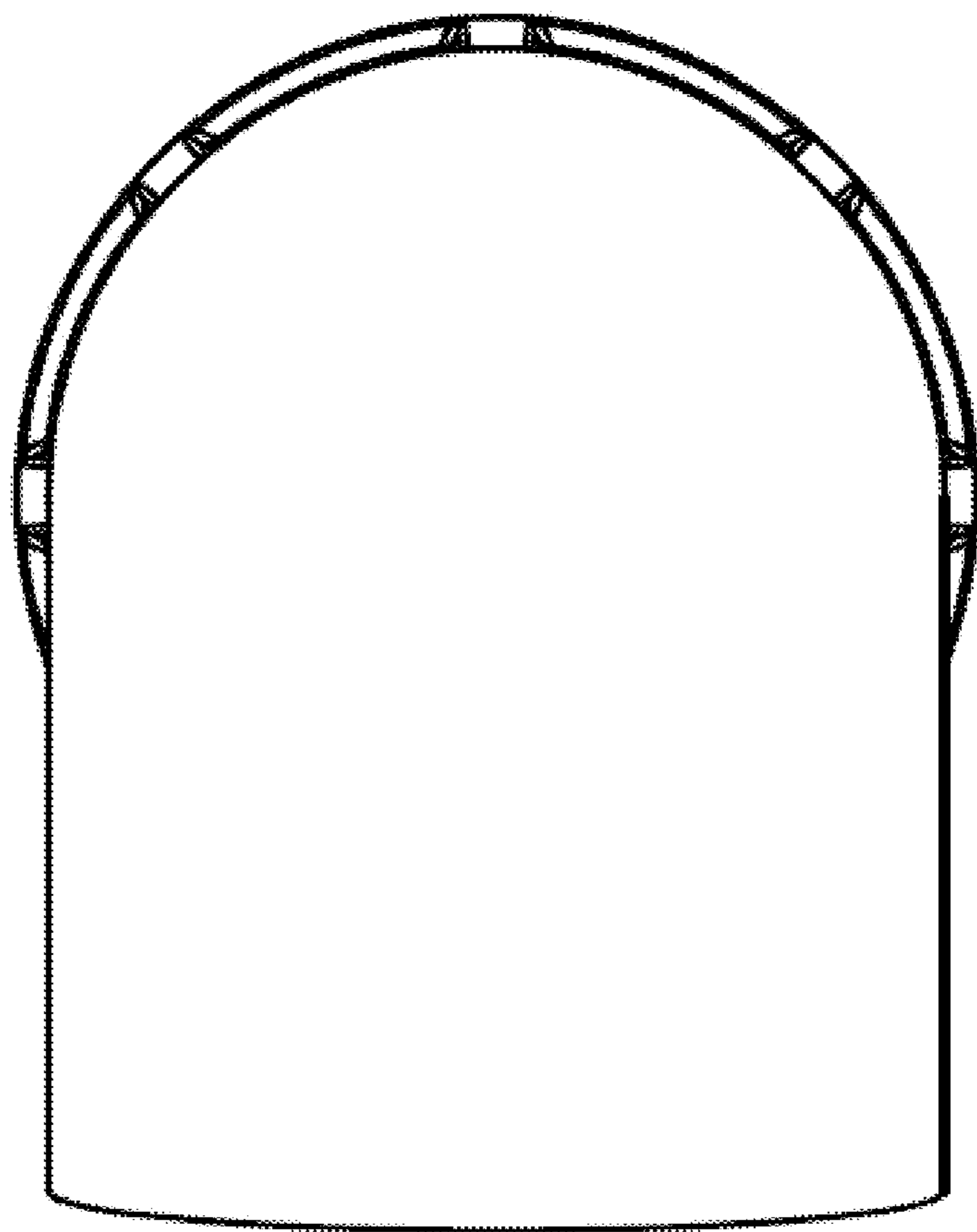


FIG. 6

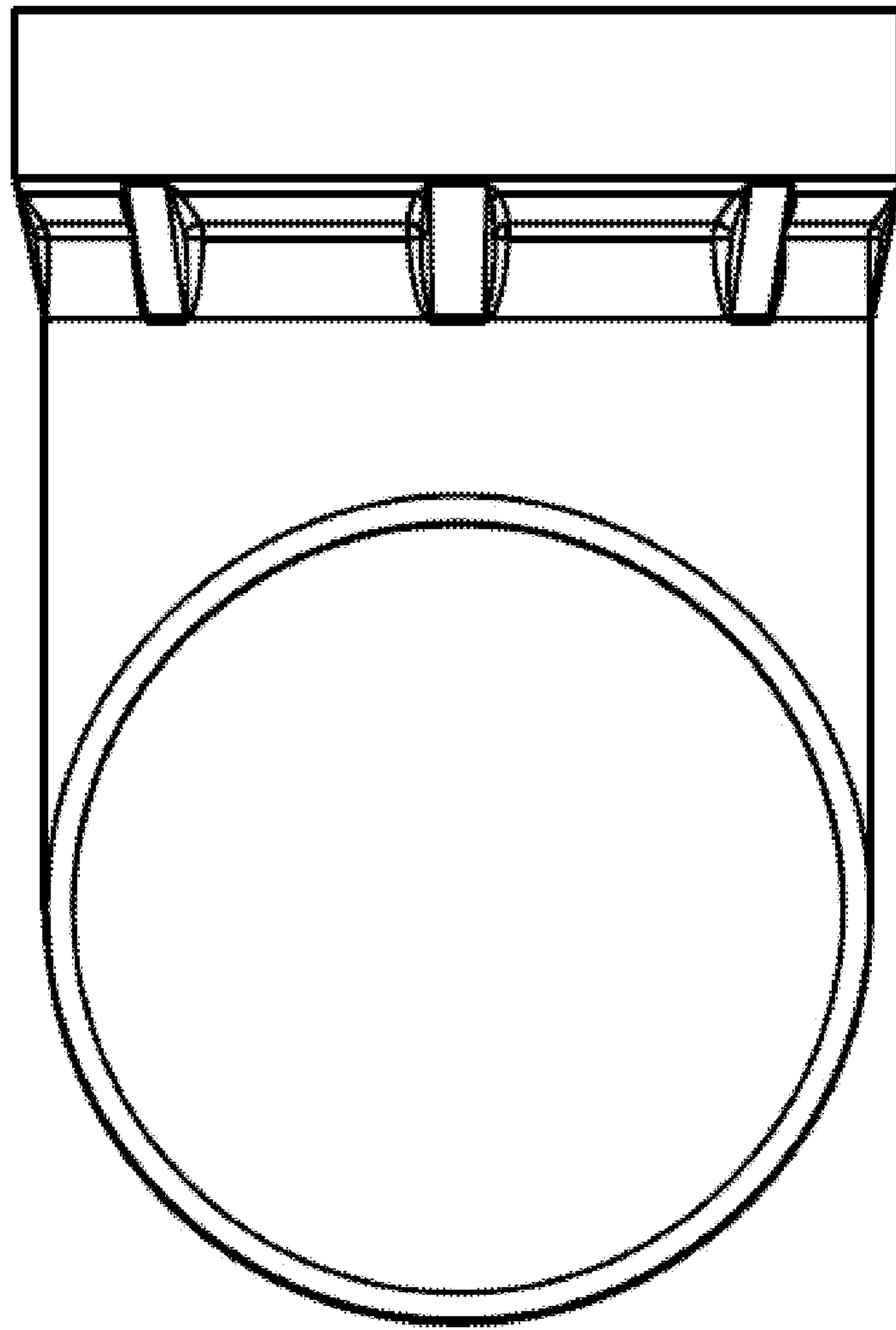


FIG. 7