



US00D728751S

(12) **United States Design Patent**
Roddy et al.

(10) **Patent No.:** **US D728,751 S**
(45) **Date of Patent:** **** May 5, 2015**

(54) **FENCE PIPE PLUMBING LEVEL APPARATUS**

(71) Applicants: **Kenneth J Roddy**, Garland, TX (US);
Jeffrey H Roddy, Richardson, TX (US)

(72) Inventors: **Kenneth J Roddy**, Garland, TX (US);
Jeffrey H Roddy, Richardson, TX (US)

(**) Term: **14 Years**

(21) Appl. No.: **29/484,893**

(22) Filed: **Mar. 13, 2014**

Related U.S. Application Data

(63) Continuation-in-part of application No. 29/484,770,
filed on Mar. 12, 2014.

(51) **LOC (10) Cl.** **23-01**

(52) **U.S. Cl.**
USPC **D23/262**

(58) **Field of Classification Search**
USPC D23/259, 260, 262, 265, 266; 138/99,
138/104, 107; 285/93; 248/49, 52, 58, 62,
248/65, 74.1, 218.4

See application file for complete search history.

(56) **References Cited**

U.S. PATENT DOCUMENTS

1,704,760	A *	3/1929	Parker	138/99
2,408,253	A *	9/1946	Diebold	174/136
2,850,045	A *	9/1958	Soehnen et al.	138/99
D189,229	S *	11/1960	Bowne et al.	D23/265
3,385,545	A *	5/1968	Patton	248/68.1
3,649,055	A *	3/1972	Nilsen	285/197
3,963,140	A *	6/1976	Harding	215/254
4,139,883	A *	2/1979	Ilzig et al.	362/404

(Continued)

Primary Examiner — Eric Goodman

Assistant Examiner — Daniel J Domino

(57) **CLAIM**

The ornamental design for a fence pipe plumbing level apparatus, as shown and described.

DESCRIPTION

FIG. 1 is a perspective view of a fence pipe plumbing level apparatus showing a first embodiment;

FIG. 2 is a perspective view from the opposite side of that shown in FIG. 1;

FIG. 3 is a side elevation view thereof;

FIG. 4 is a top plan view thereof;

FIG. 5 is a cross-section view taken along the line 5-5 of FIG. 4;

FIG. 6 is a bottom plan view thereof;

FIG. 7 is an end view thereof;

FIG. 8 is an end view from the opposite side of that shown in FIG. 7;

FIG. 9 is a perspective view showing the article in use;

FIG. 10 is a perspective view of a second embodiment;

FIG. 11 is a perspective view from the opposite side of that shown in FIG. 10;

FIG. 12 is a bottom plan view thereof;

FIG. 13 is a side elevation view thereof;

FIG. 14 is a cross-section view taken along the line 14-14 of FIG. 12;

FIG. 15 is a top plan view thereof;

FIG. 16 is an end view thereof;

FIG. 17 is an end view from the opposite side of that shown in FIG. 16;

FIG. 18 is a side elevation view of a third embodiment;

FIG. 19 is an end view thereof;

FIG. 20 is an end view from the opposite side of that shown in FIG. 19;

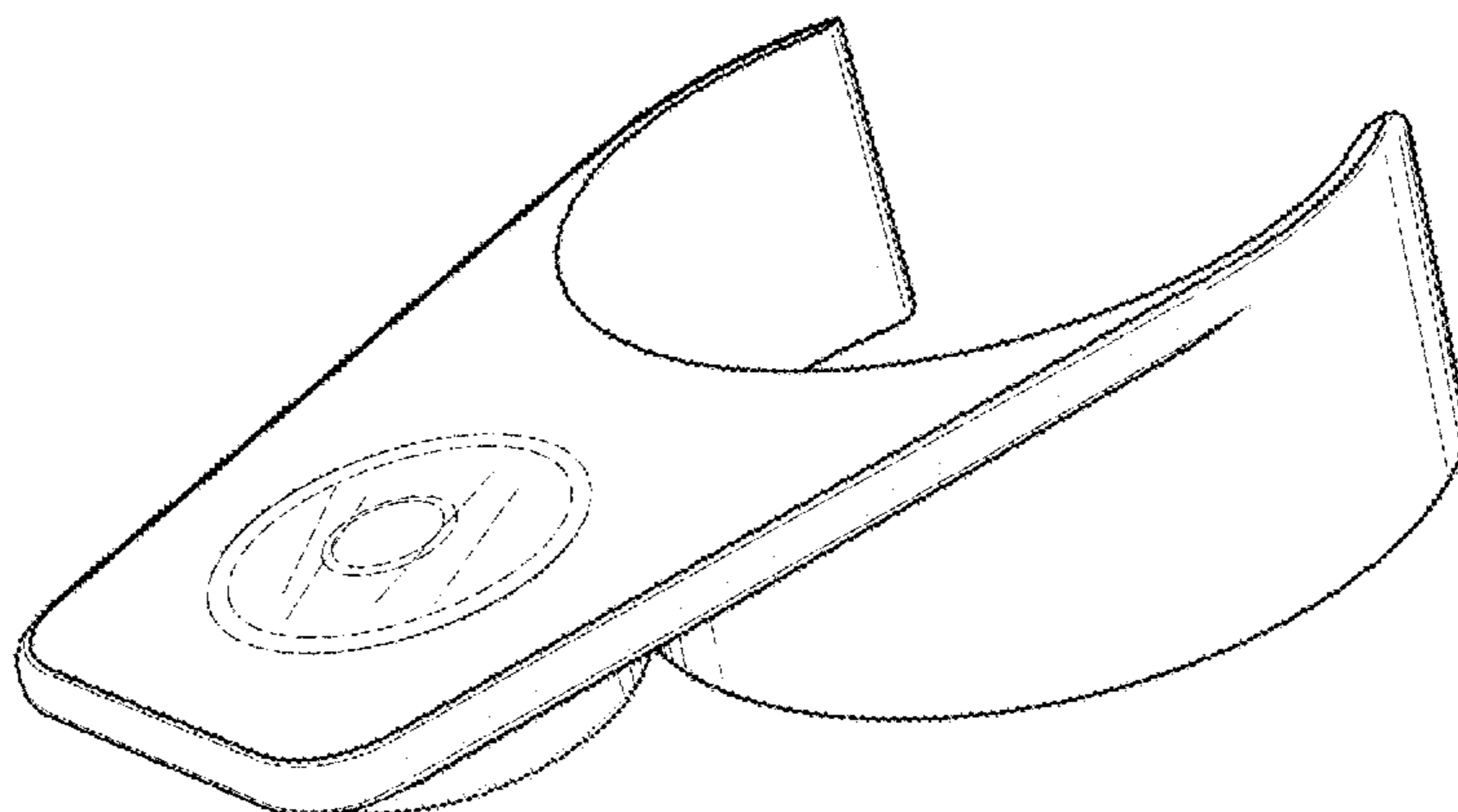
FIG. 21 is a top plan view thereof; and,

FIG. 22 is a bottom plan view thereof.

The broken lines shown in the figures are for the purpose of illustrating portions of the article and environment forming no part of the claimed design.

The third embodiment is shown with a symbolic break in its length. The appearance of any portion of the article between the break lines forms no part of the claimed design.

1 Claim, 9 Drawing Sheets



(56)

References Cited

U.S. PATENT DOCUMENTS

4,244,542	A *	1/1981	Mathews	248/49	D409,293	S *	5/1999	Senninger	D23/265
D270,140	S *	8/1983	Berglund	D9/438	D468,002	S *	12/2002	Steffan	D23/260
4,407,472	A *	10/1983	Beck	248/89	D714,917	S *	10/2014	Miller et al.	D23/269
5,020,572	A *	6/1991	Hunt	138/99	2006/0048418	A1 *	3/2006	Boire et al.	40/316
D372,074	S *	7/1996	Wallace et al.	D23/269	2007/0034758	A1 *	2/2007	Bates	248/218.4
5,660,417	A *	8/1997	Reeves	285/93	2012/0111280	A1 *	5/2012	Shin et al.	119/78
						2013/0032130	A1 *	2/2013	Jacques et al.	126/30
						2013/0152291	A1 *	6/2013	Stonecipher et al.	4/252.1
						2014/0007438	A1 *	1/2014	Silberberg	33/371

* cited by examiner

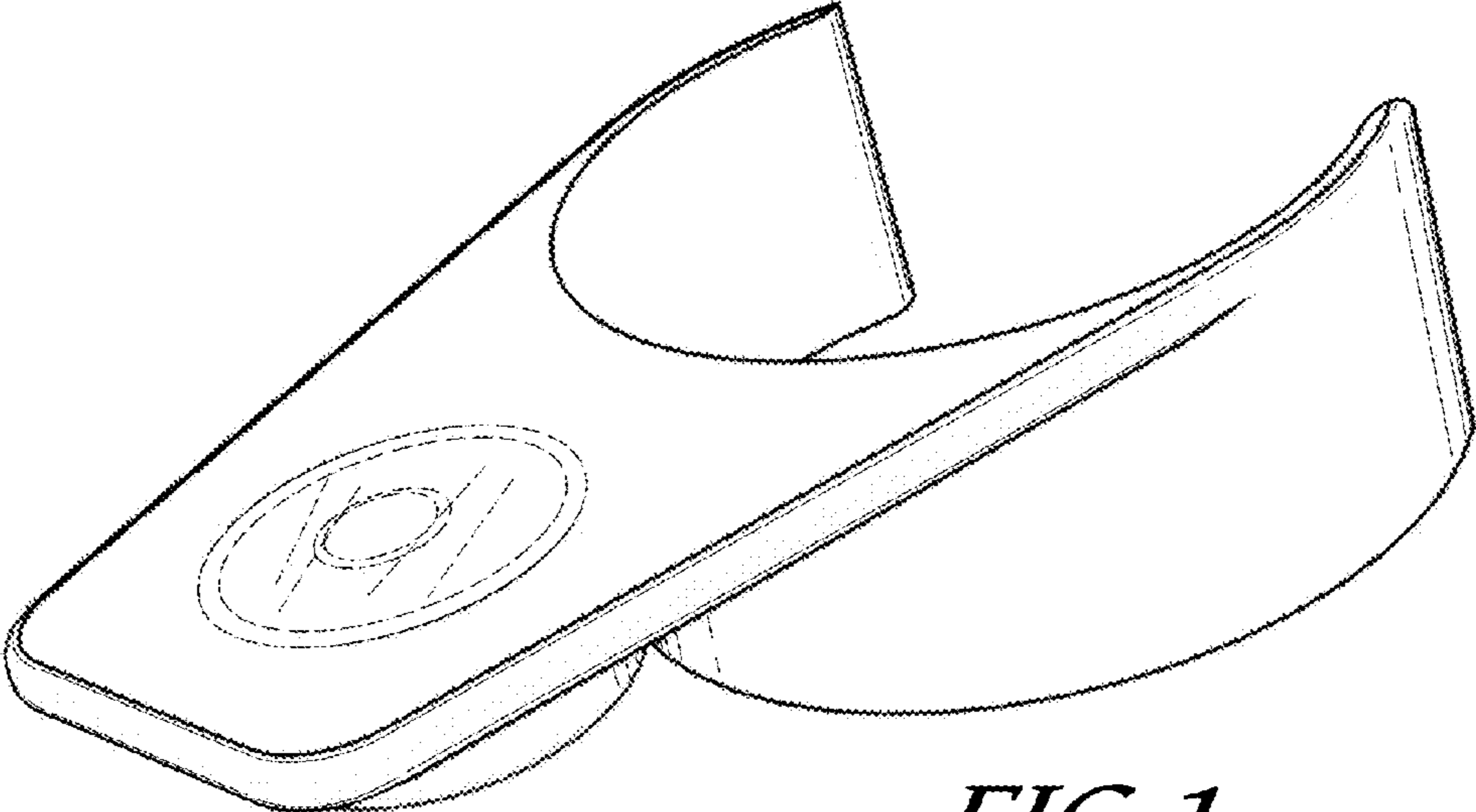


FIG. 1

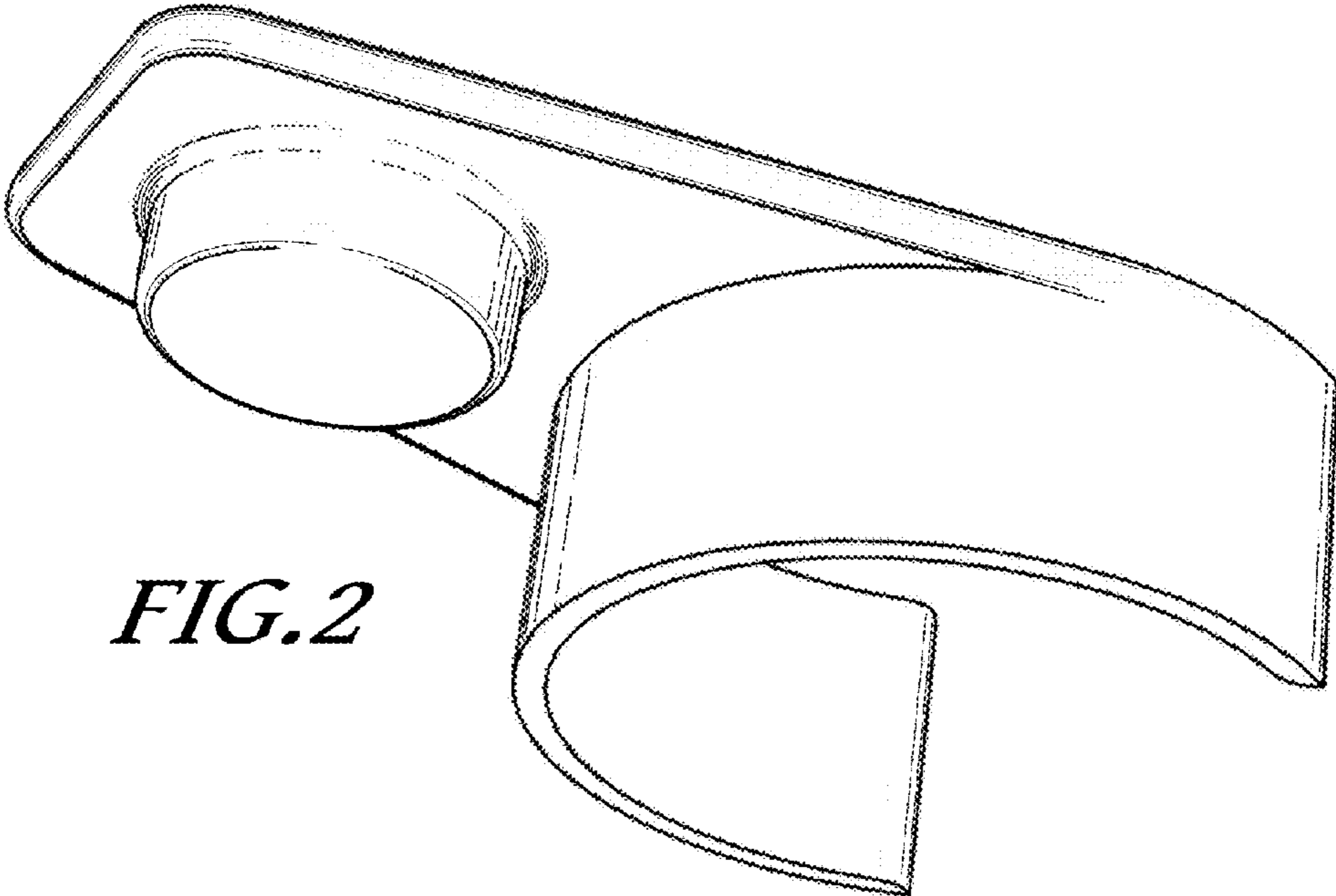


FIG. 2

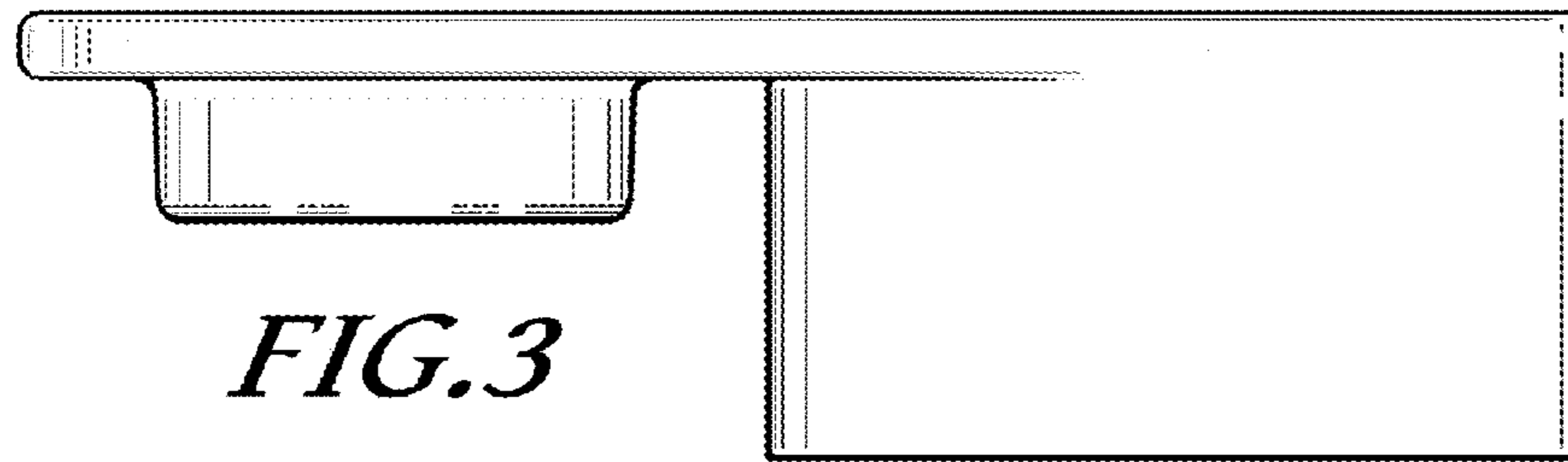


FIG. 3

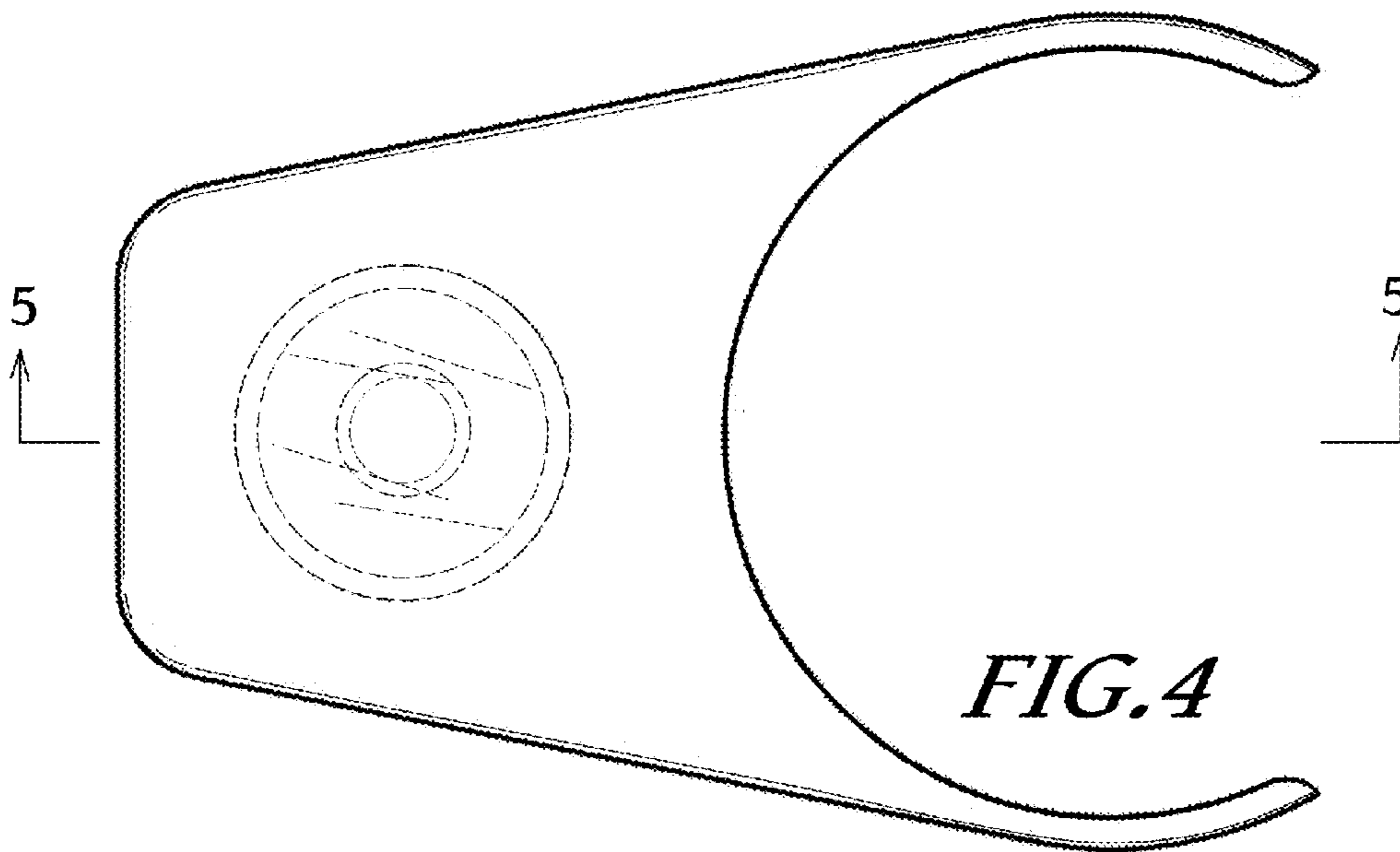


FIG. 4

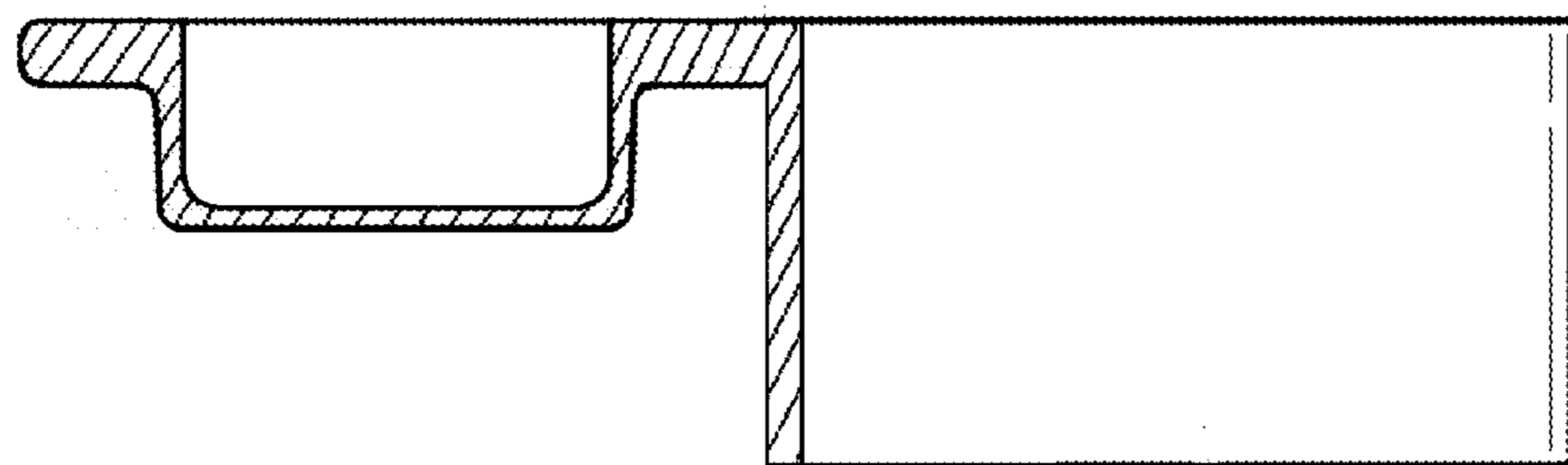


FIG. 5

FIG. 6

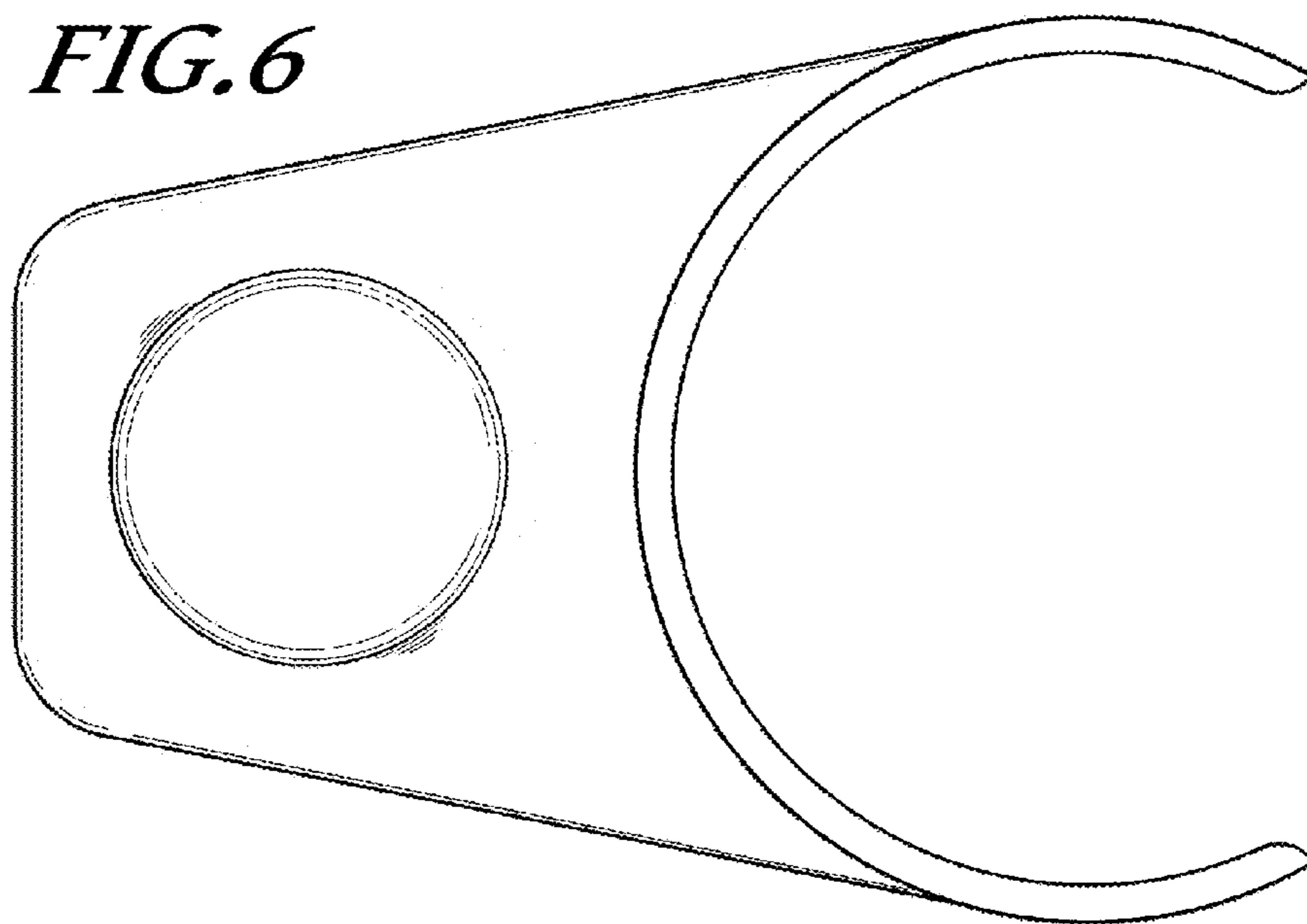


FIG. 7

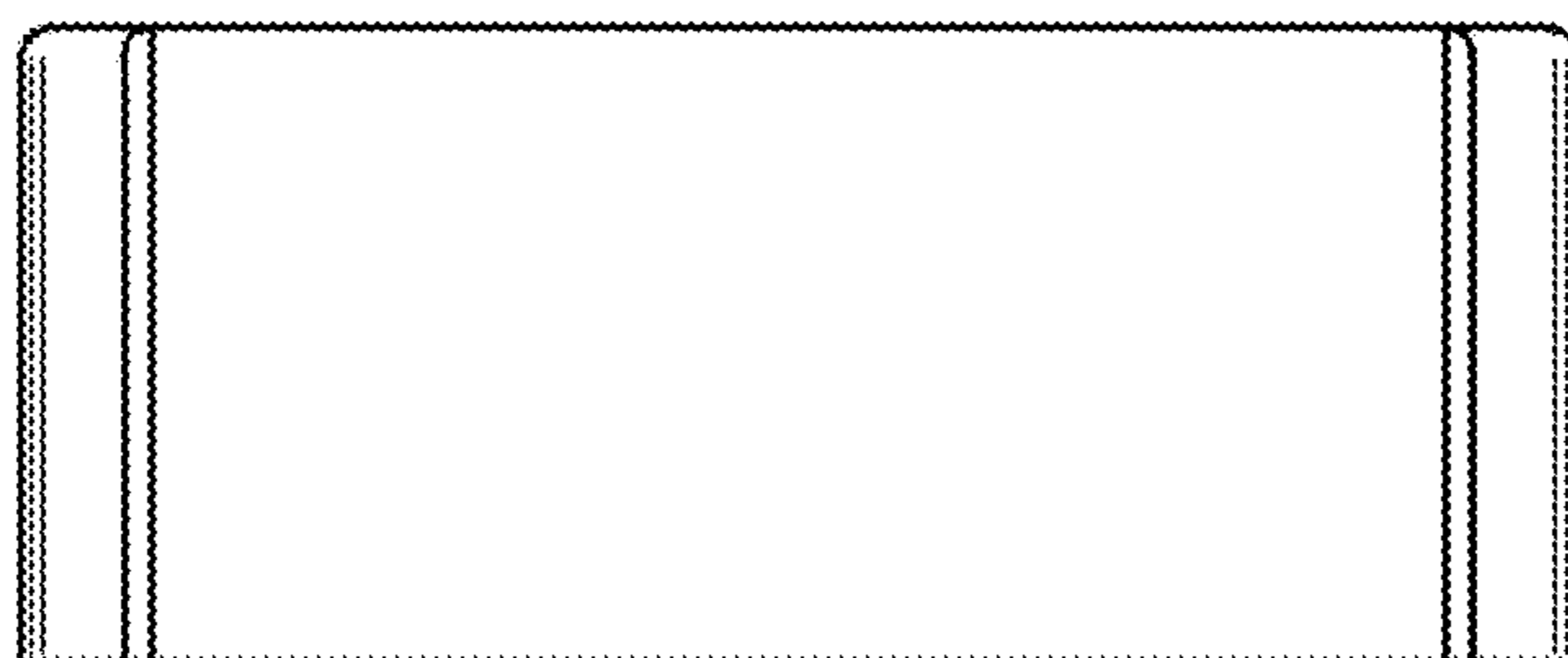
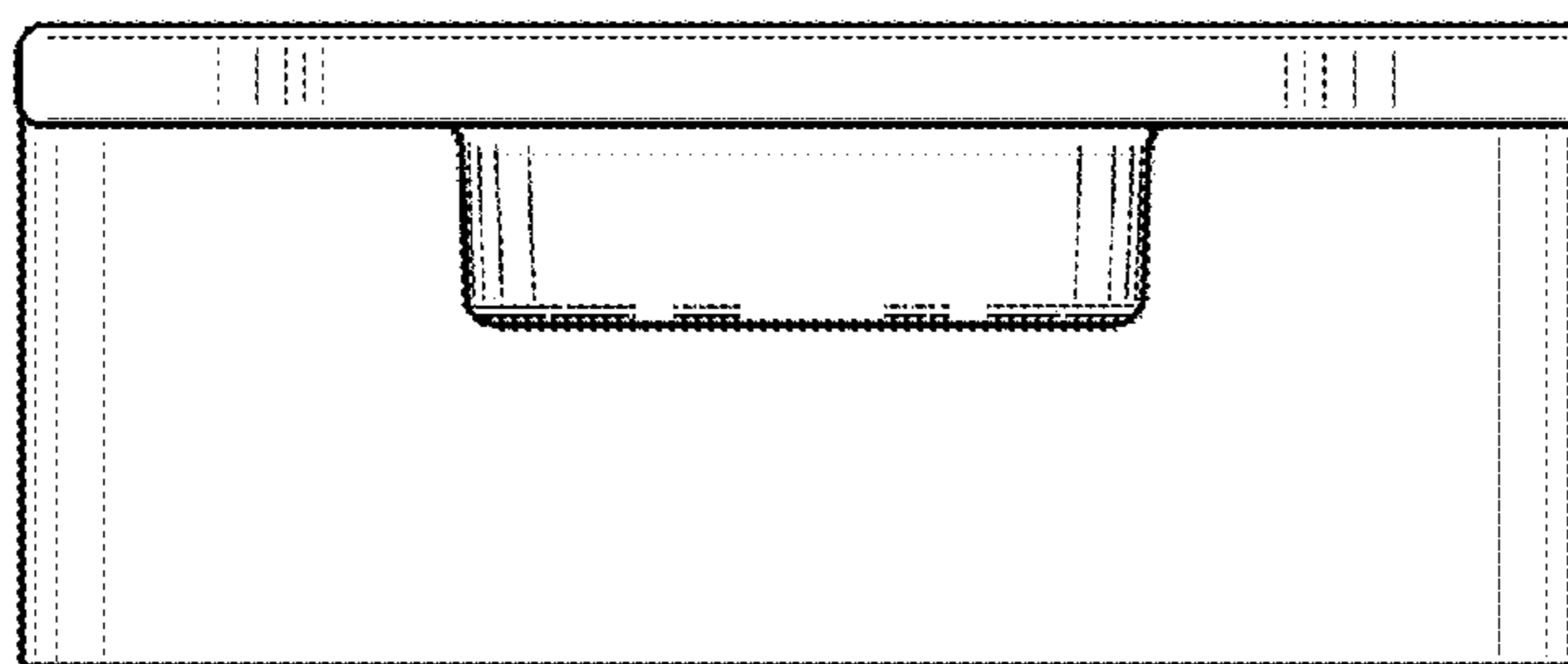
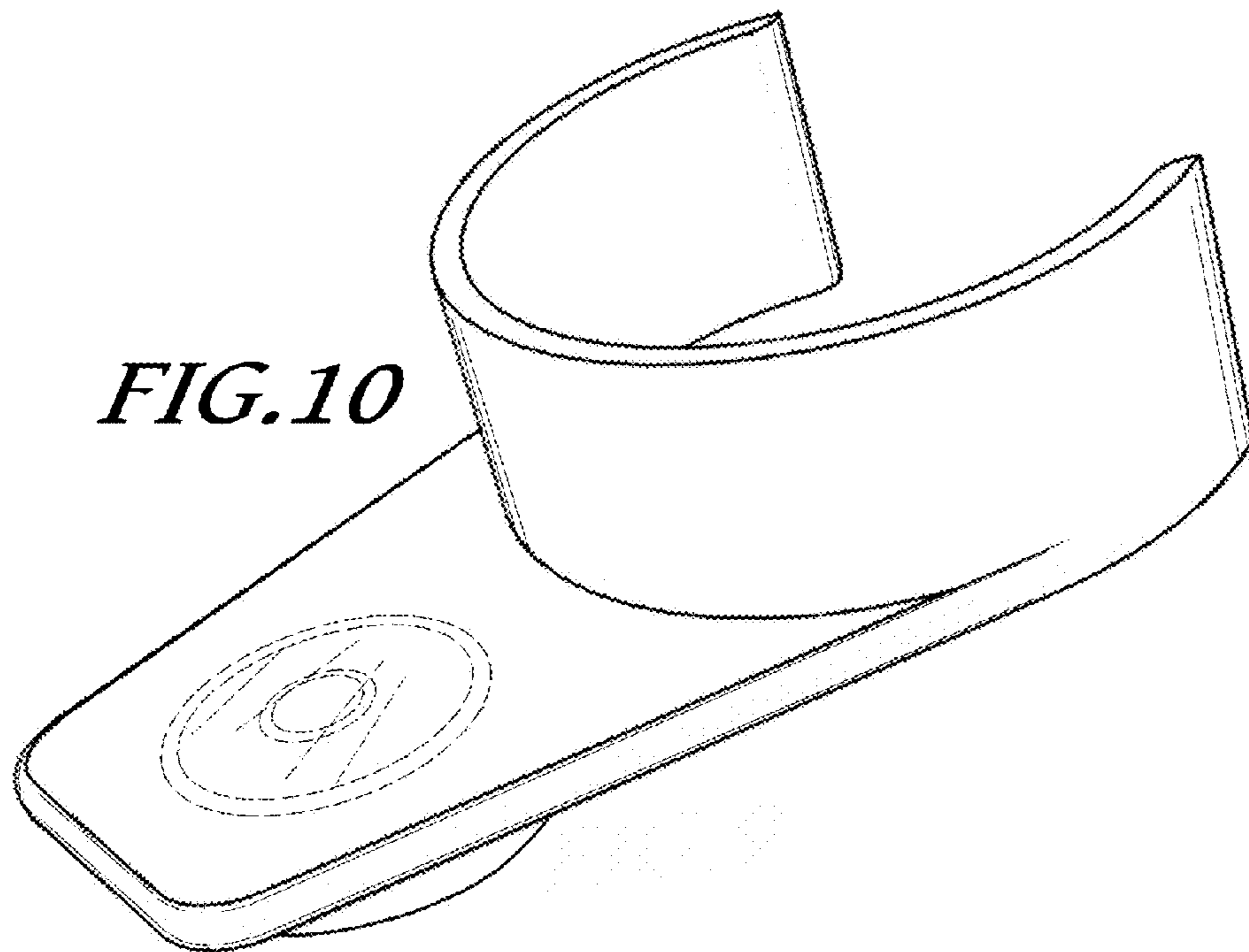
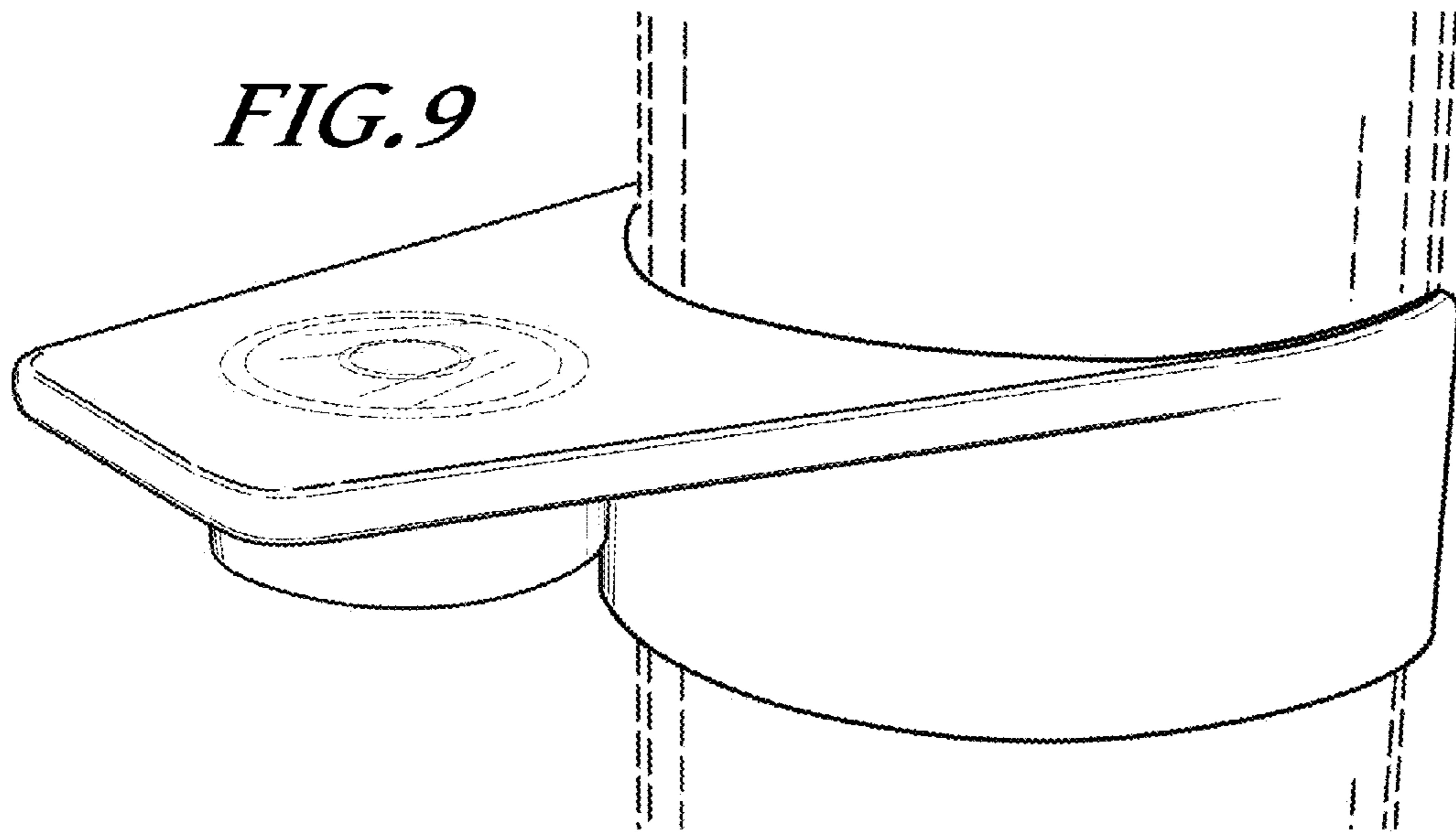
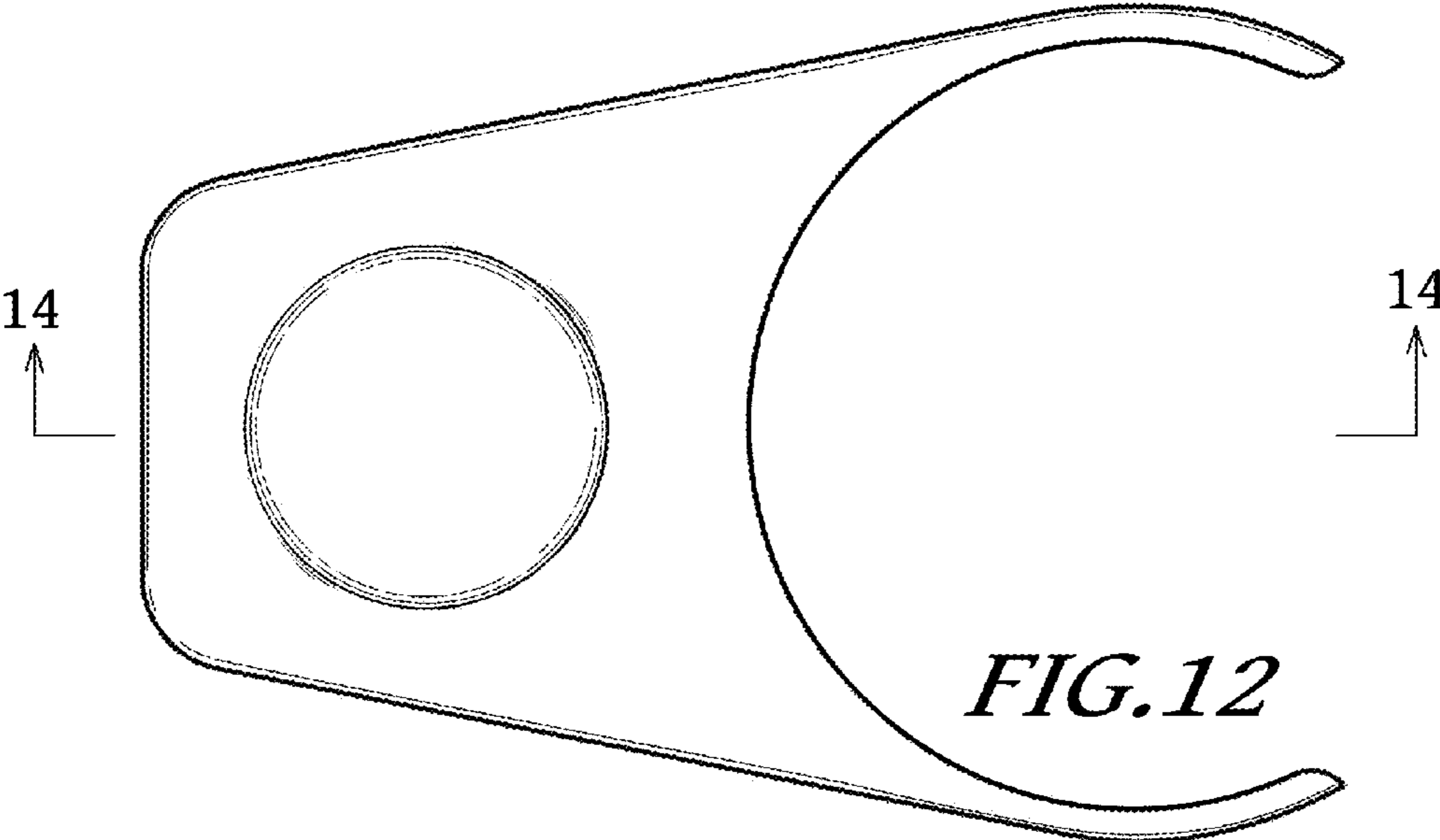
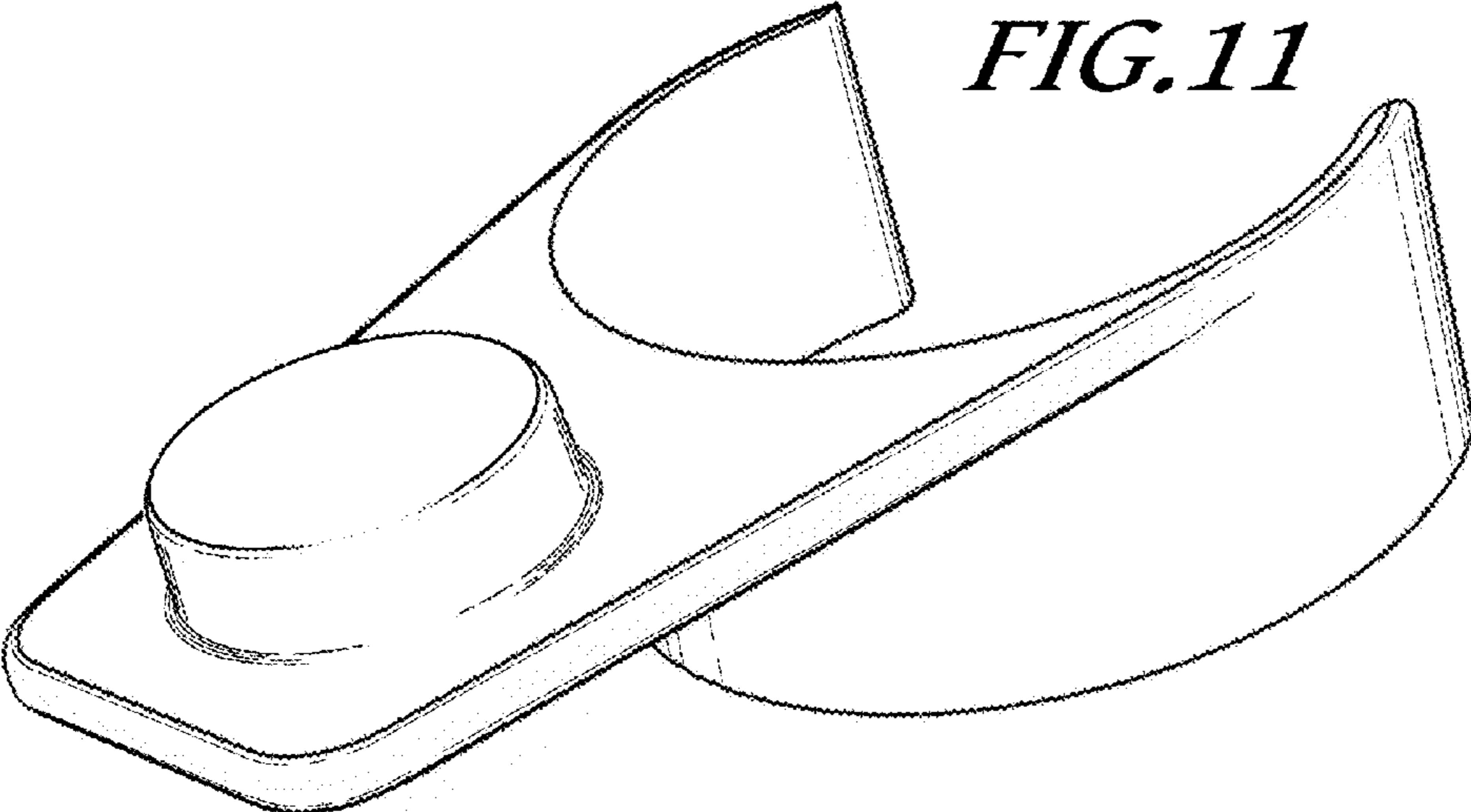
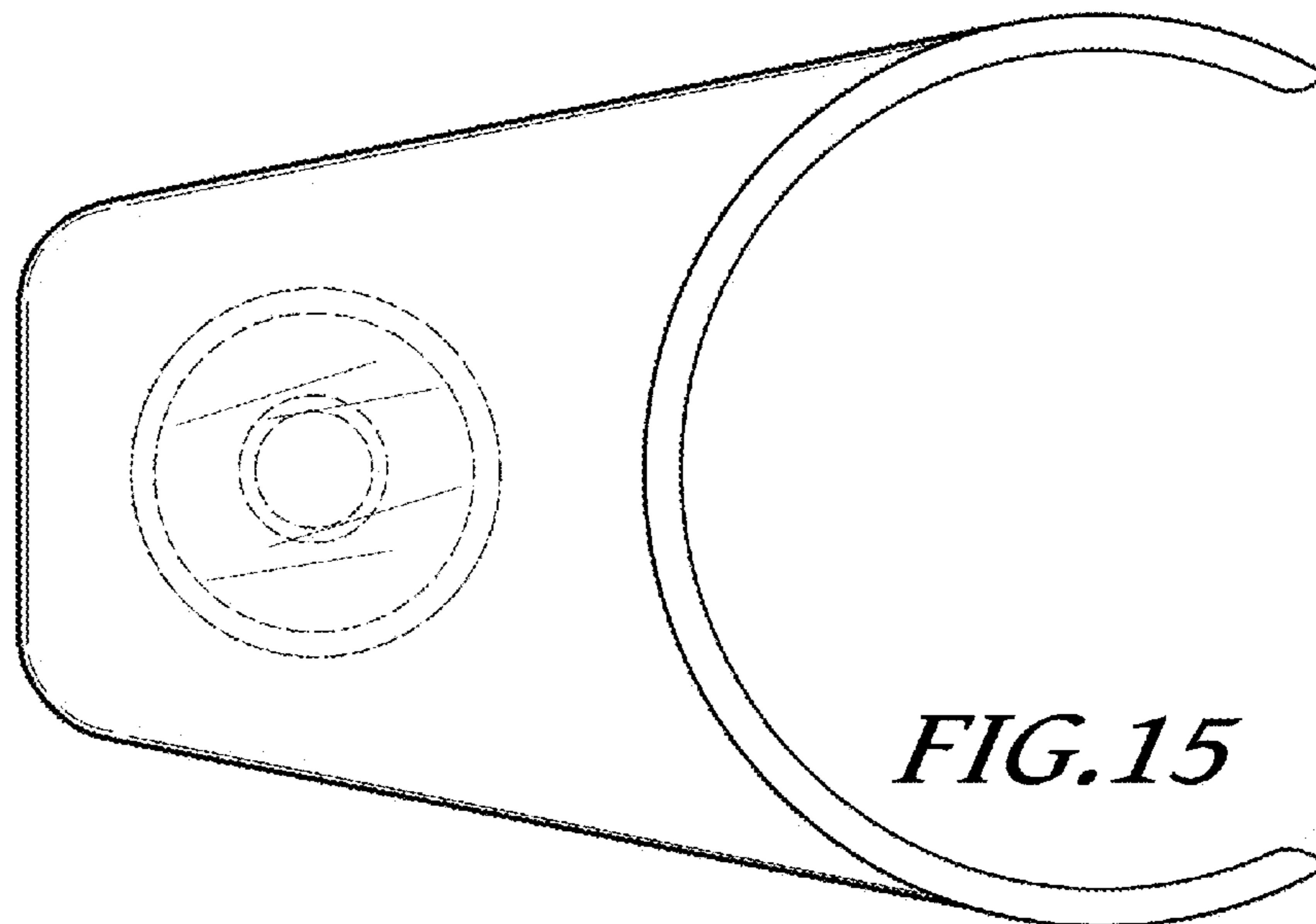
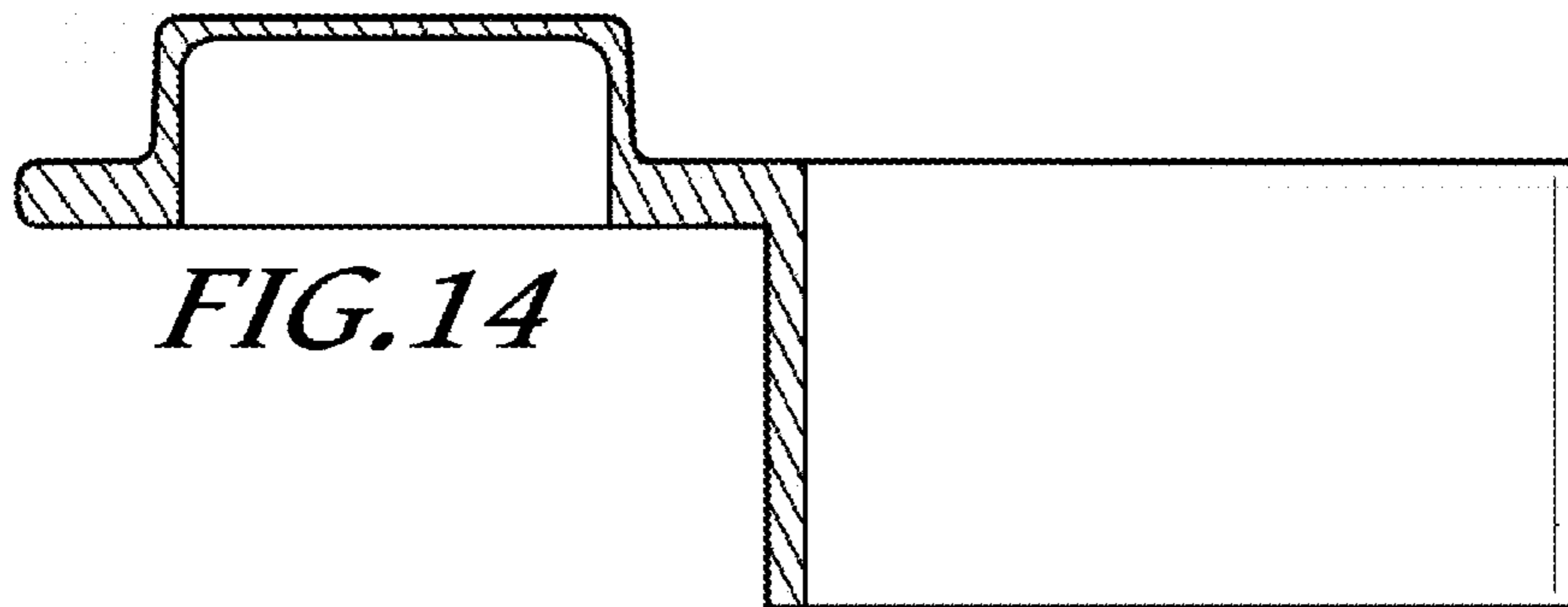
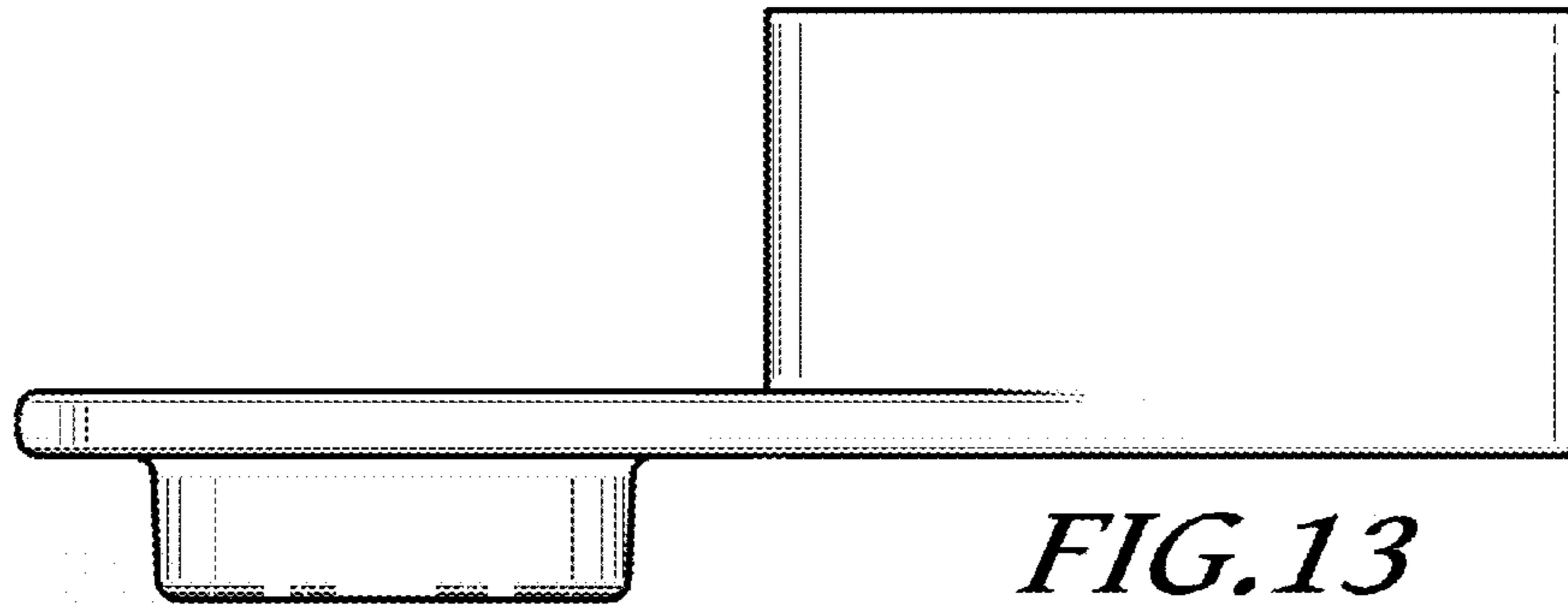


FIG. 8









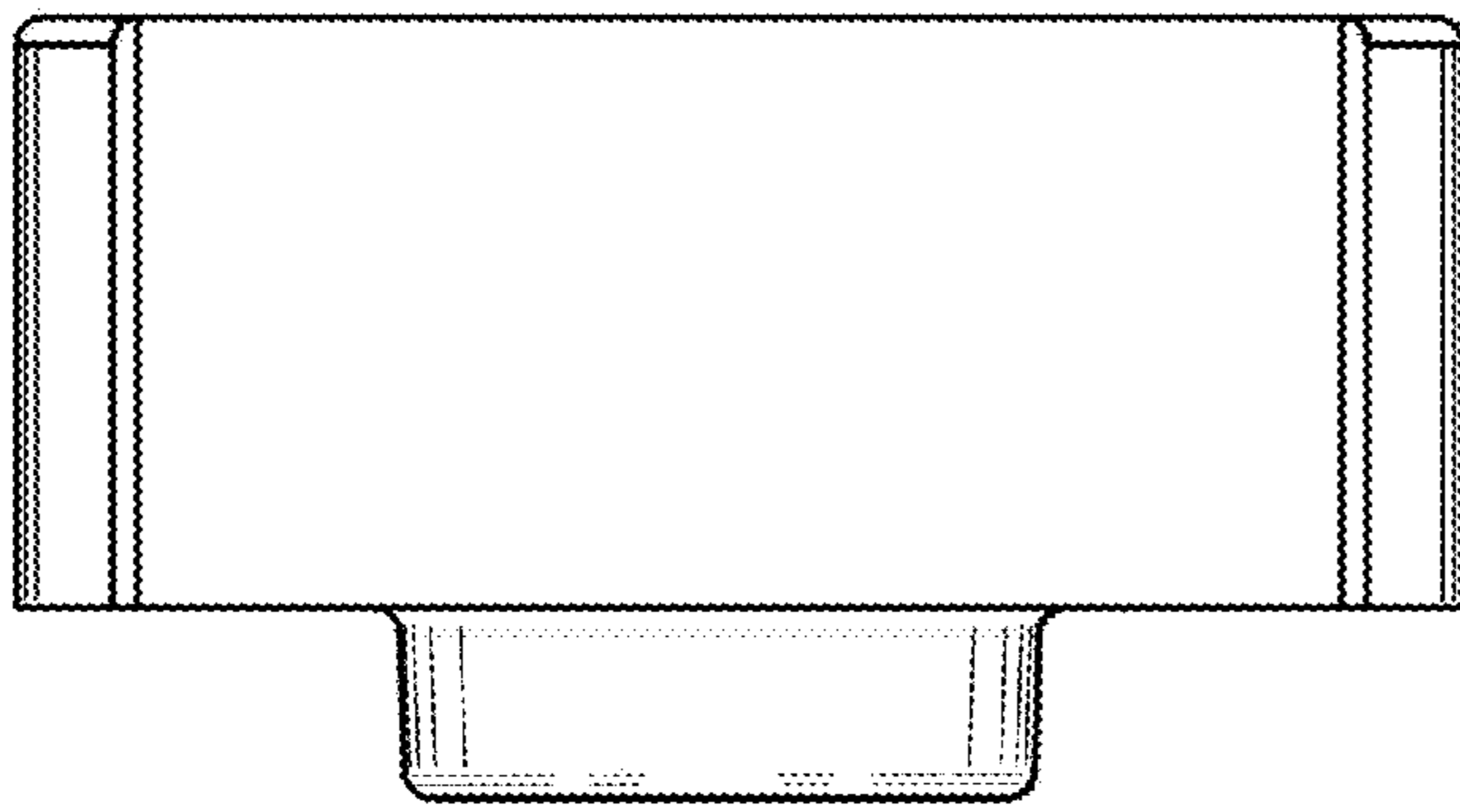


FIG. 16

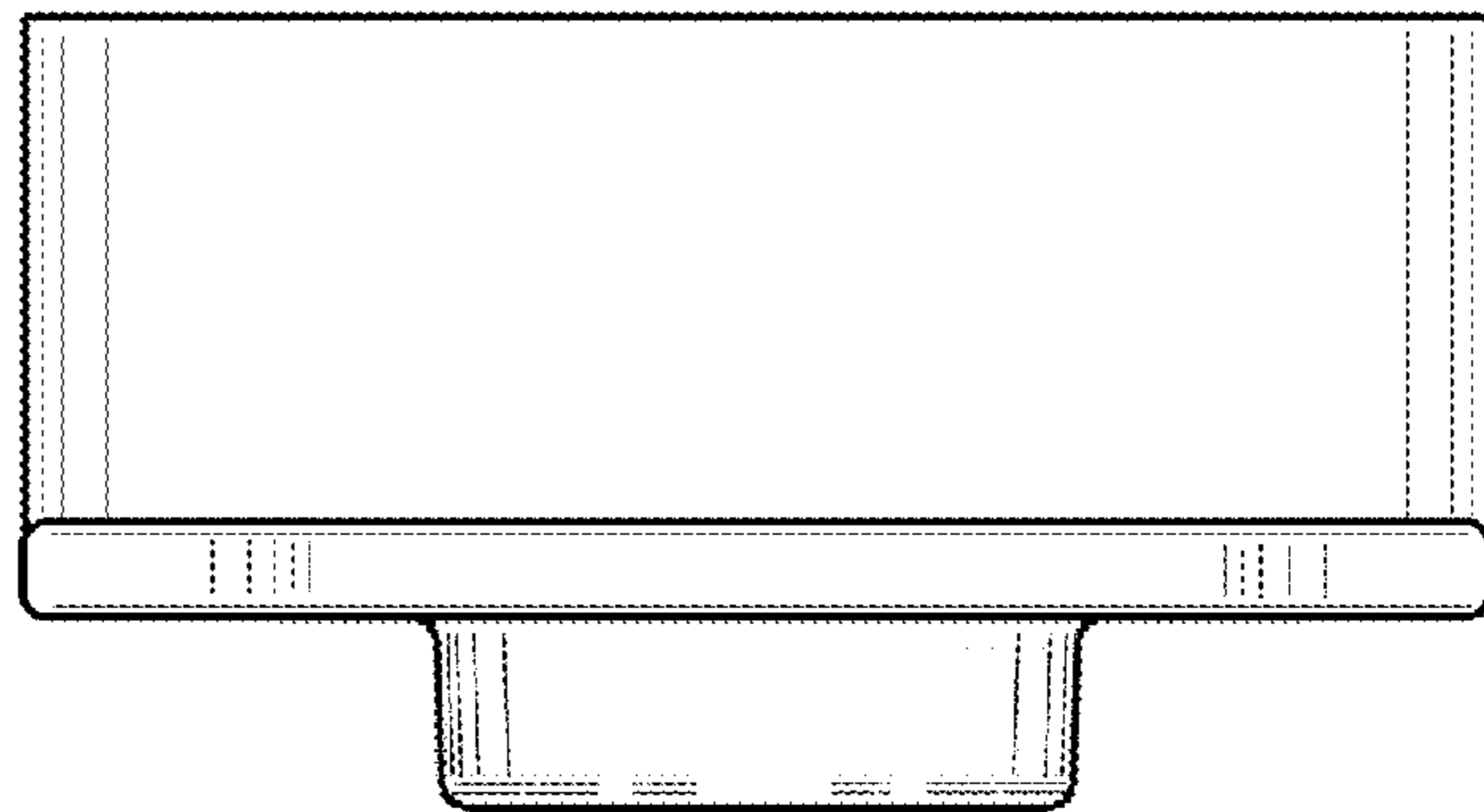


FIG. 17

