



US00D728749S

(12) **United States Design Patent**
Santeler et al.

(10) **Patent No.:** **US D728,749 S**

(45) **Date of Patent:** **** May 5, 2015**

(54) **OVERFLOW SHIELD**

(71) Applicant: **Quark Limited, LDC**, Belize (BZ)

(72) Inventors: **Donald A. Santeler**, Genoa, IL (US);
Robert W. Hallock, Chicago, IL (US)

(**) Term: **14 Years**

(21) Appl. No.: **29/444,228**

(22) Filed: **Jan. 28, 2013**

(51) **LOC (10) Cl.** **23-01**

(52) **U.S. Cl.**
USPC **D23/261**

(58) **Field of Classification Search**
USPC D23/259, 260, 261, 262, 263; D25/152,
D25/153, 154, 155, 156; 210/163, 164;
404/4, 5; 4/290, 291, 292, 293, 294,
4/295; 340/618; D8/1; 56/1, 202, 329;
137/377; 239/14.2; 62/384

See application file for complete search history.

(56) **References Cited**

U.S. PATENT DOCUMENTS

D408,233 S *	4/1999	Price	D8/1
D591,013 S *	4/2009	Mose	D30/199
D598,075 S *	8/2009	Uhl	D23/261
D673,656 S *	1/2013	Feliciano	D23/261
D682,995 S *	5/2013	Feliciano	D23/261

D683,436 S *	5/2013	Feliciano	D23/261
2002/0066483 A1 *	6/2002	Sweeney et al.	137/377
2007/0150033 A1 *	6/2007	Johnson et al.	607/114
2009/0198311 A1 *	8/2009	Johnson et al.	607/109
2014/0124591 A1 *	5/2014	Evans et al.	239/14.2

* cited by examiner

Primary Examiner — Eric Goodman

Assistant Examiner — Steven Czyz

(57) **CLAIM**

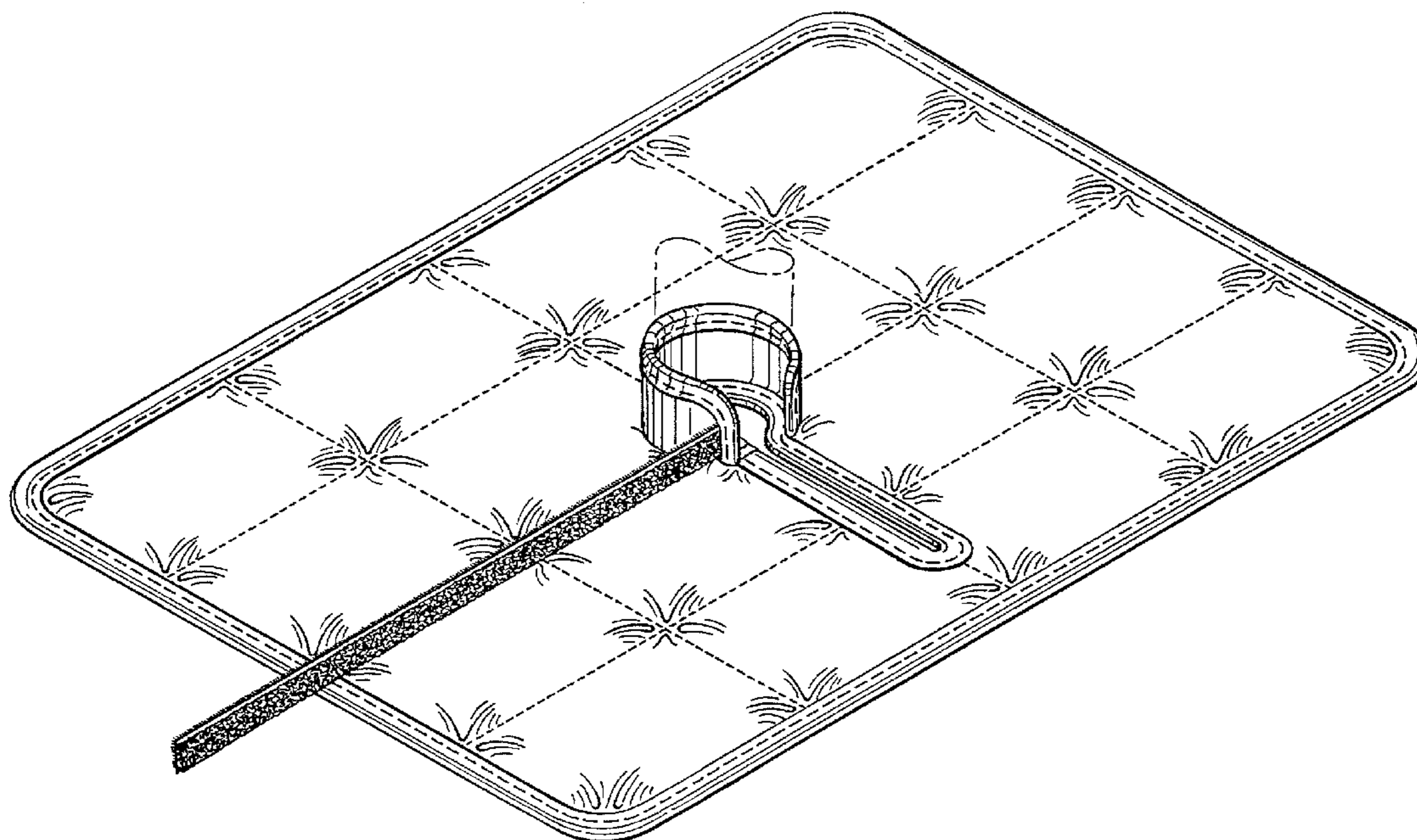
The ornamental design for overflow shield, as shown and described.

DESCRIPTION

FIG. 1 is a perspective view of the overflow shield showing a new ornamental design thereof;
FIG. 2 is a front view of the overflow shield shown in FIG. 1;
FIG. 3 is a back view of the overflow shield shown in FIG. 1;
FIG. 4 is a bottom view of the overflow shield shown in FIG. 1;
FIG. 5 is a top view of the overflow shield shown in FIG. 1;
FIG. 6 is a left side view of the overflow shield shown in FIG. 1; and,
FIG. 7 is a right side view of the overflow shield shown in FIG. 1.

The broken line illustrates portions of the article and forms no part of the claimed design.

1 Claim, 4 Drawing Sheets



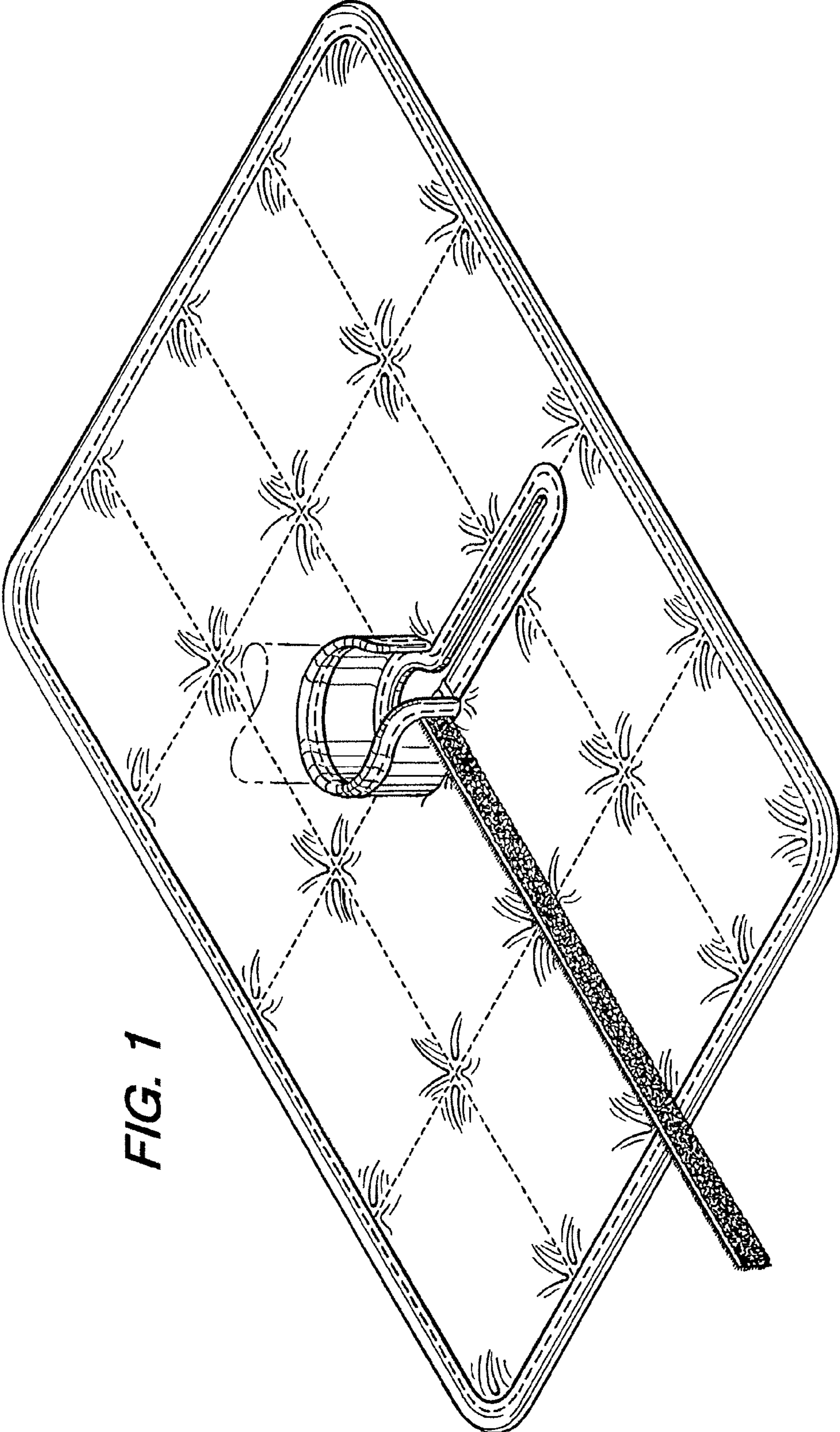
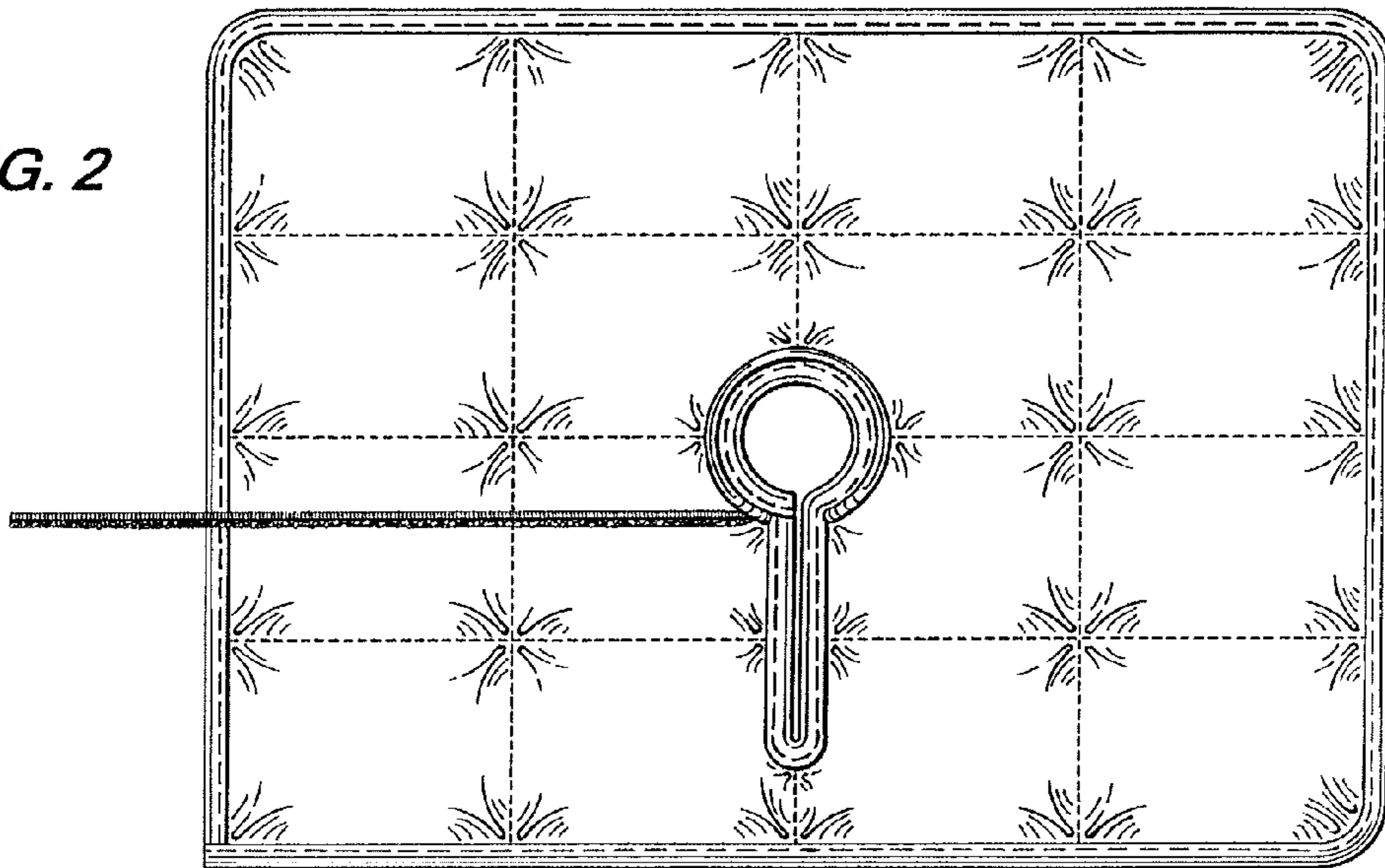


FIG. 1

FIG. 2



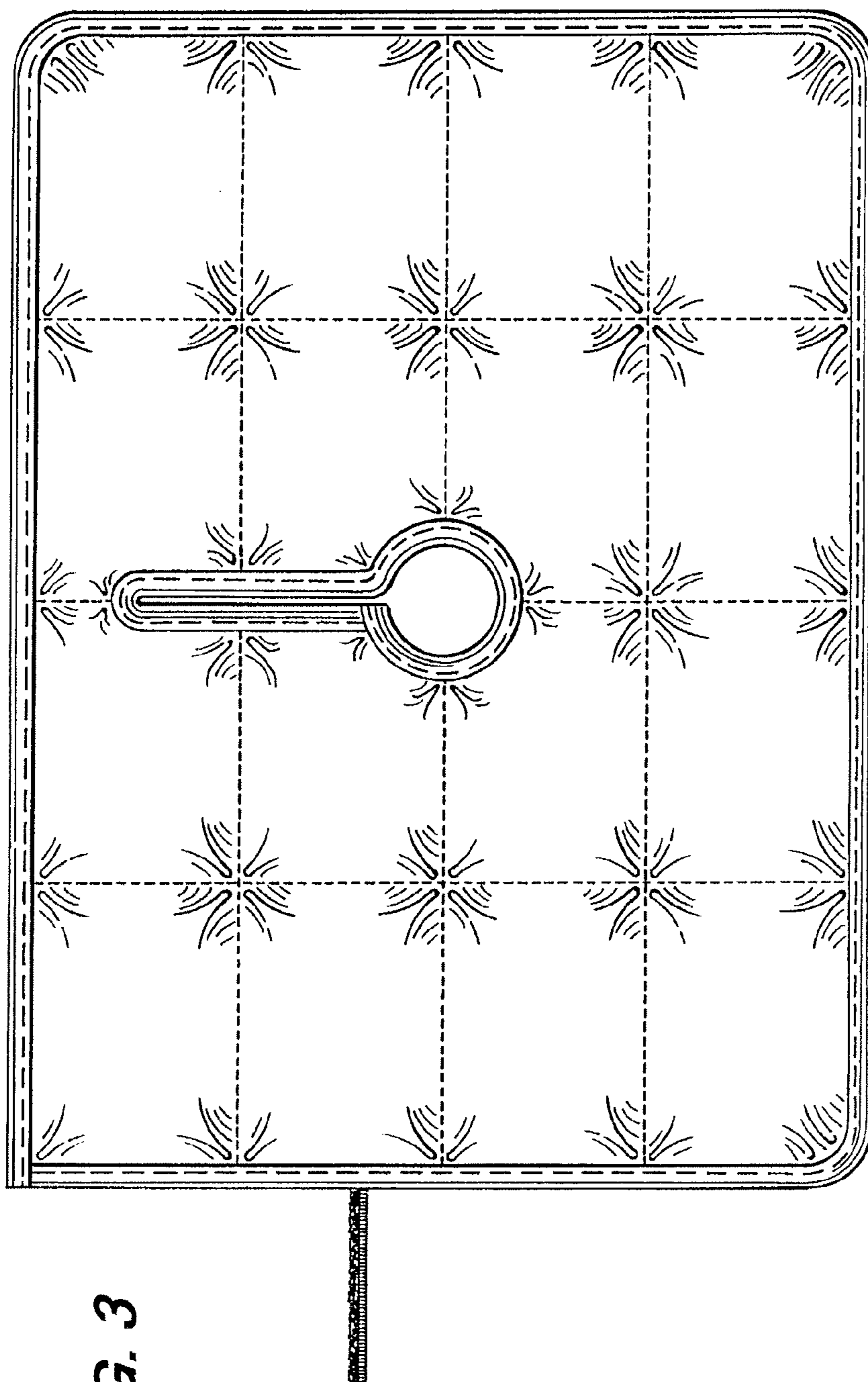


FIG. 3

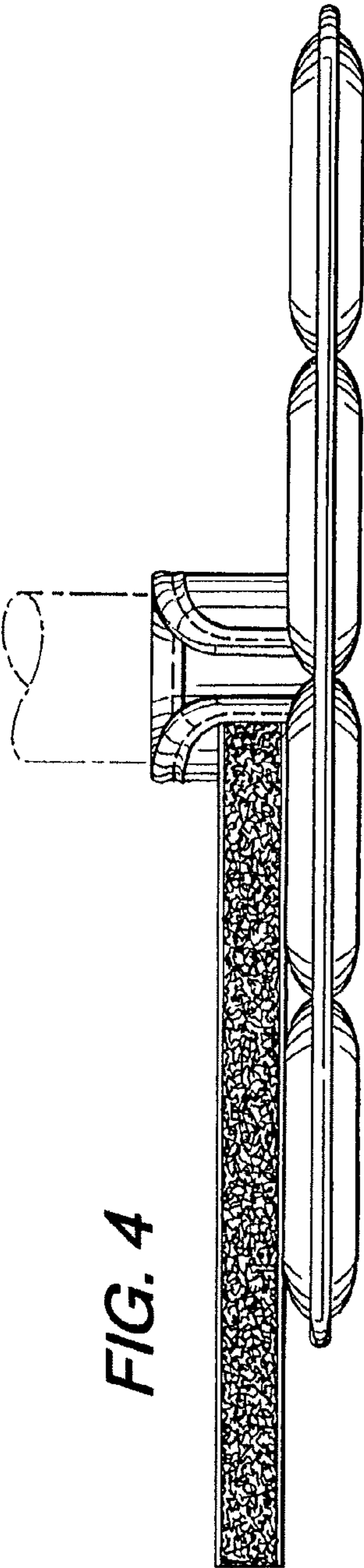


FIG. 4

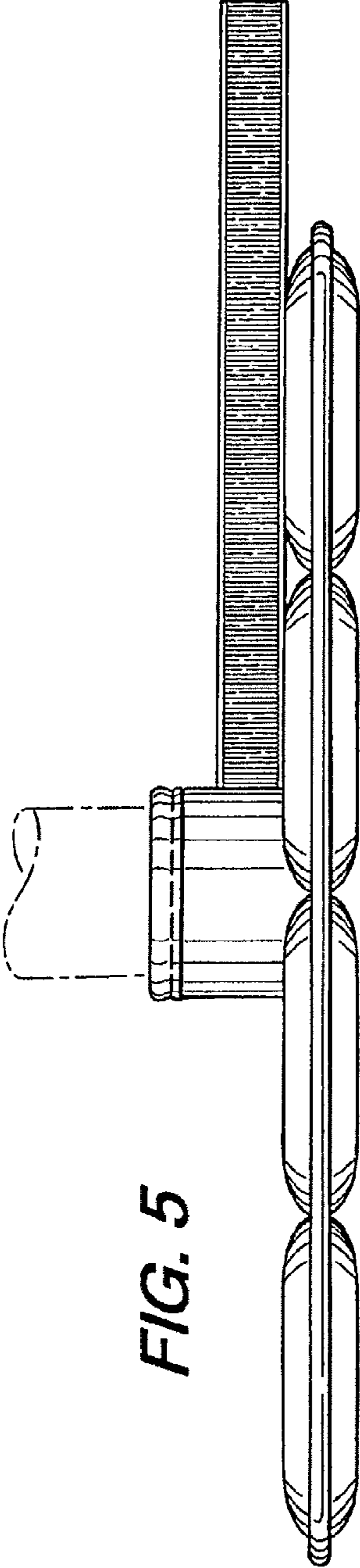


FIG. 5

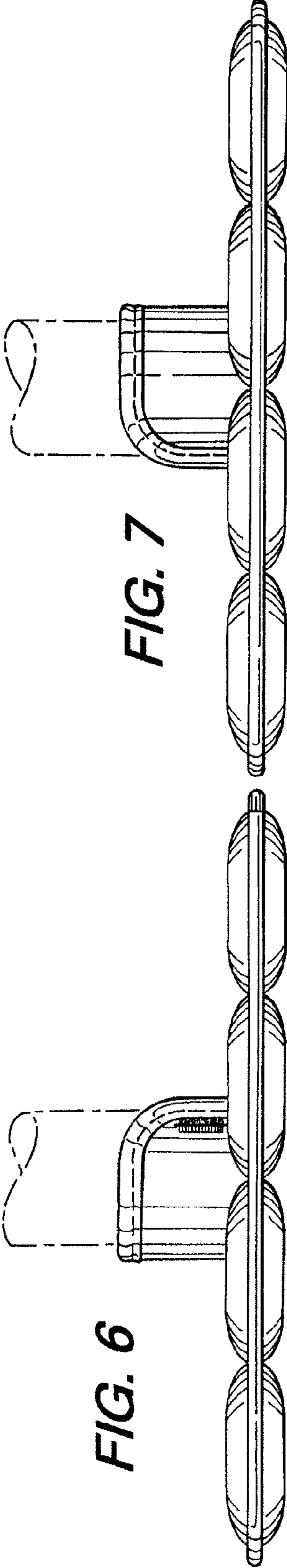


FIG. 6

FIG. 7