



US00D728748S

(12) **United States Design Patent**
Gehrling

(10) **Patent No.:** **US D728,748 S**

(45) **Date of Patent:** **** May 5, 2015**

(54) **HYDRAULIC VALVE**

(71) Applicant: **Robert Bosch GmbH**, Stuttgart (DE)

(72) Inventor: **Andreas Gehrling**, Lohr/Wombach (DE)

(73) Assignee: **Robert Bosch GmbH**, Stuttgart (DE)

(**) Term: **14 Years**

(21) Appl. No.: **29/492,317**

(22) Filed: **May 30, 2014**

Related U.S. Application Data

(62) Division of application No. 29/411,110, filed on Jan. 17, 2012, now Pat. No. Des. 708,303.

(51) **LOC (10) Cl.** **23-01**

(52) **U.S. Cl.**
USPC **D23/233**

(58) **Field of Classification Search**
USPC D23/233–237, 244–249; D34/32, 33;
137/625.64, 884; 251/15, 17, 129.15,
251/148, 152, 205, 208, 215, 236, 243,
251/309–312, 315.14, 904
See application file for complete search history.

(56) **References Cited**

U.S. PATENT DOCUMENTS

D473,992 S * 4/2003 Hodge D34/33
D489,157 S * 4/2004 Lawson D34/33
D527,073 S * 8/2006 Yajima et al. D23/233
D550,924 S * 9/2007 Huang D34/33
D599,524 S * 9/2009 Averill et al. D34/33

D607,540 S * 1/2010 Matsumoto D23/233
D622,350 S * 8/2010 Gramegna et al. D23/233
D633,180 S * 2/2011 Duong et al. D23/233
D681,782 S * 5/2013 Bohm et al. D23/233
D708,303 S * 7/2014 Gehrling D23/233

* cited by examiner

Primary Examiner — Cynthia Ramirez

(74) *Attorney, Agent, or Firm* — Maginot, Moore & Beck LLP

(57) **CLAIM**

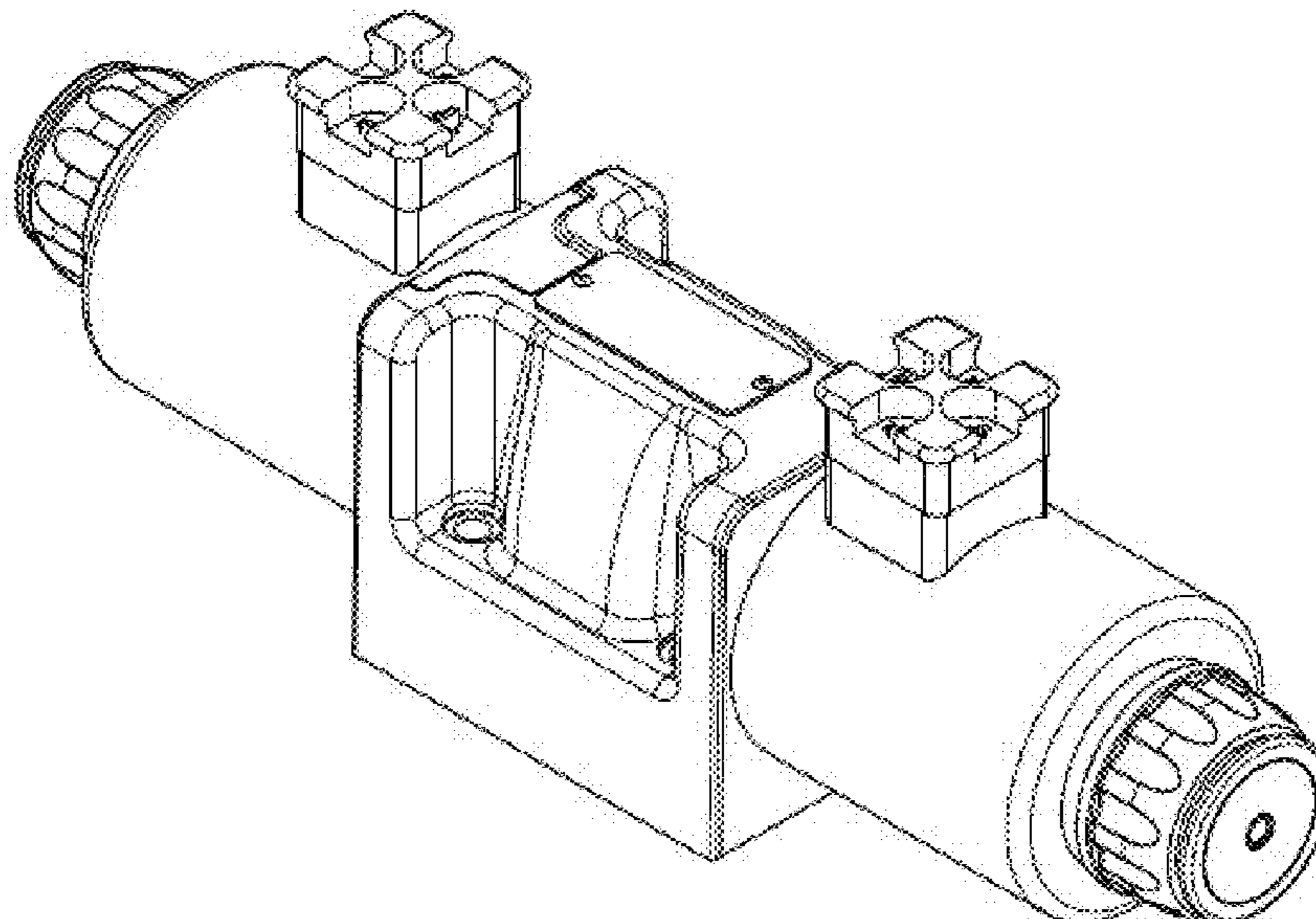
The ornamental design for a hydraulic valve, as shown and described.

DESCRIPTION

FIG. 1 is a perspective view of a hydraulic valve showing my new design;
FIG. 2 is a front elevational view showing the design for the hydraulic valve of FIG. 1;
FIG. 3 is a left side elevational view showing the design for the hydraulic valve of FIG. 1;
FIG. 4 is a top plan view showing the design for the hydraulic valve of FIG. 1;
FIG. 5 is a bottom plan view showing the design for the hydraulic valve of FIG. 1;
FIG. 6 is a right side elevational view showing the design for the hydraulic valve of FIG. 1; and,
FIG. 7 is a rear elevational view showing the design for the hydraulic valve of FIG. 1.

The broken lines shown in the drawings depict environmental subject matter only and form no part of the claimed design.

1 Claim, 7 Drawing Sheets



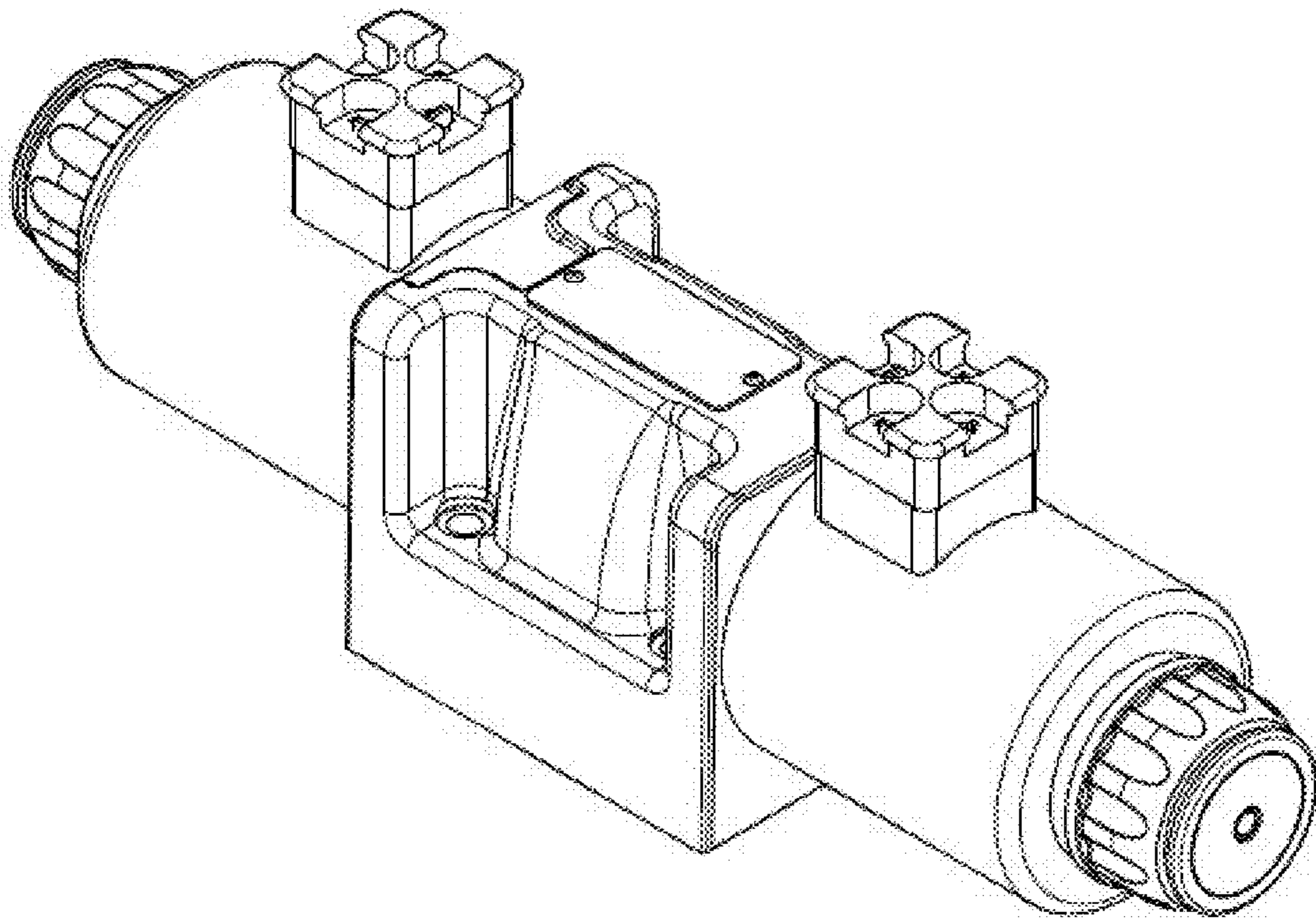


Fig. 1

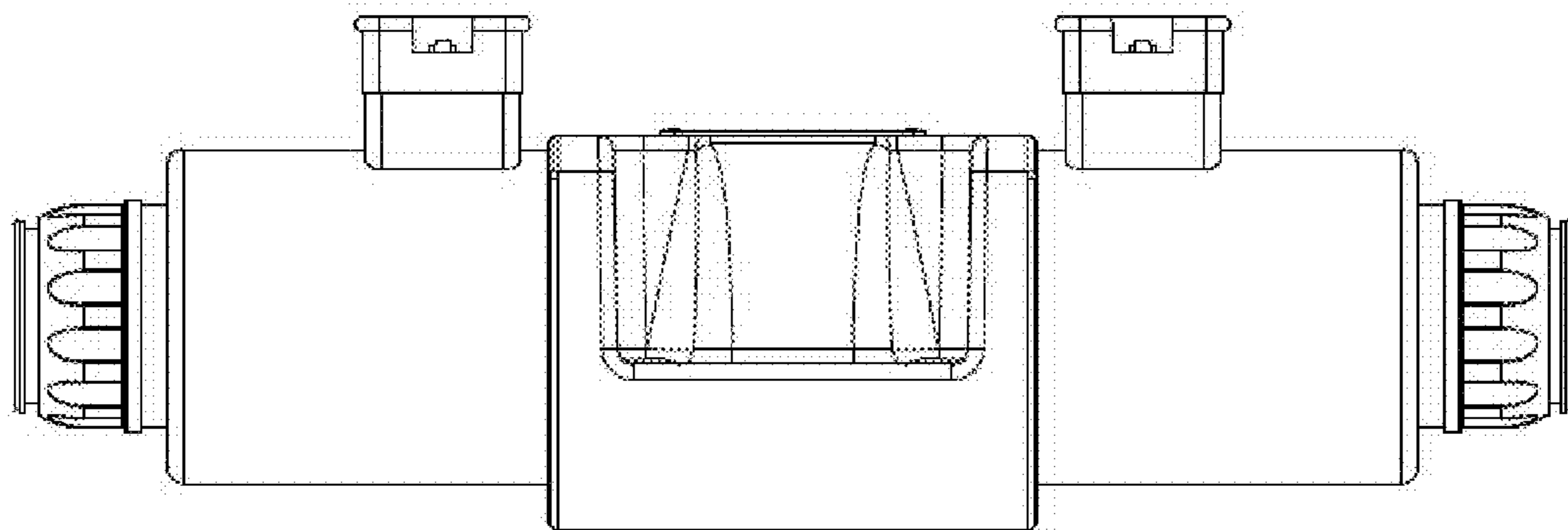


Fig. 2

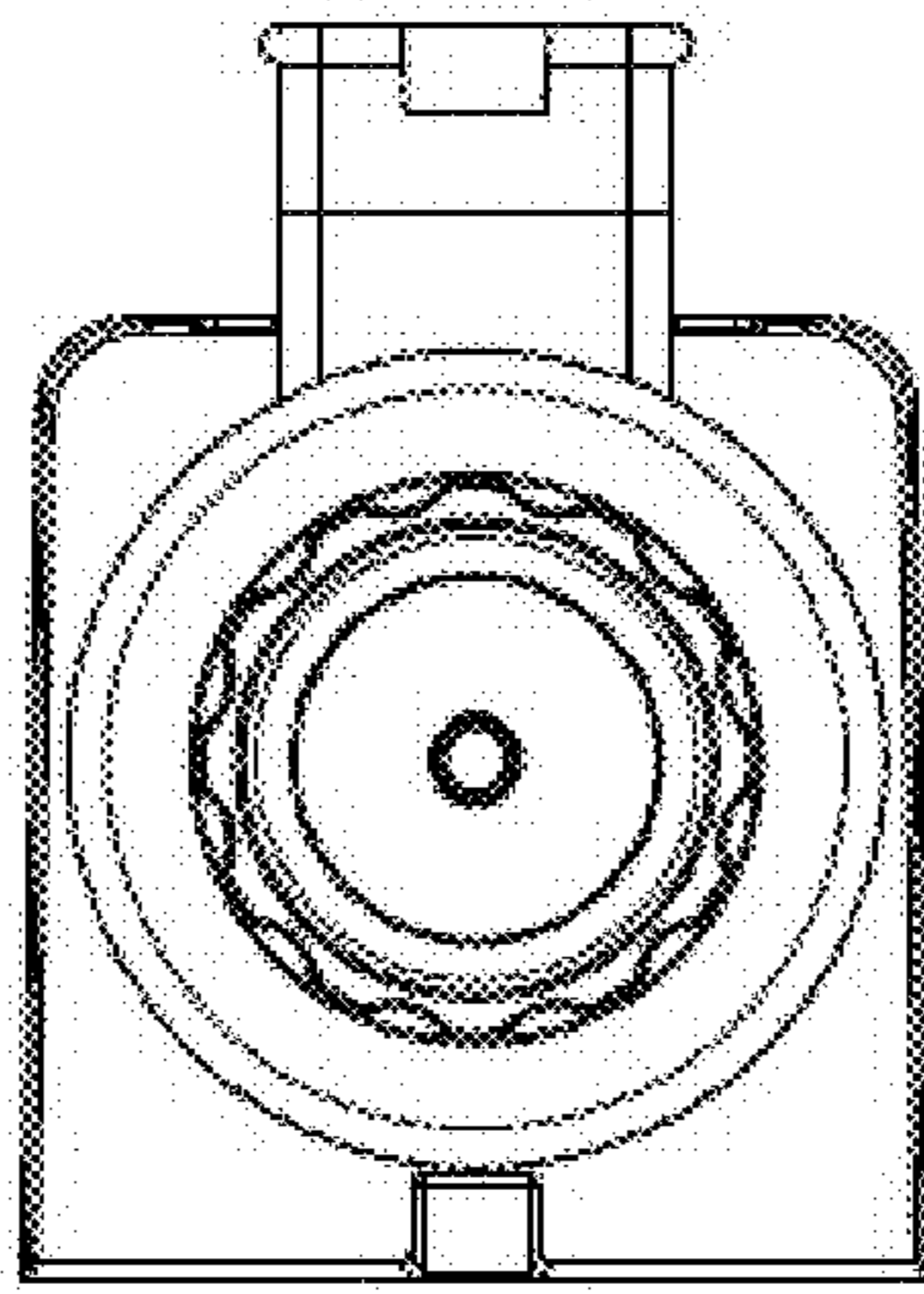


Fig. 3

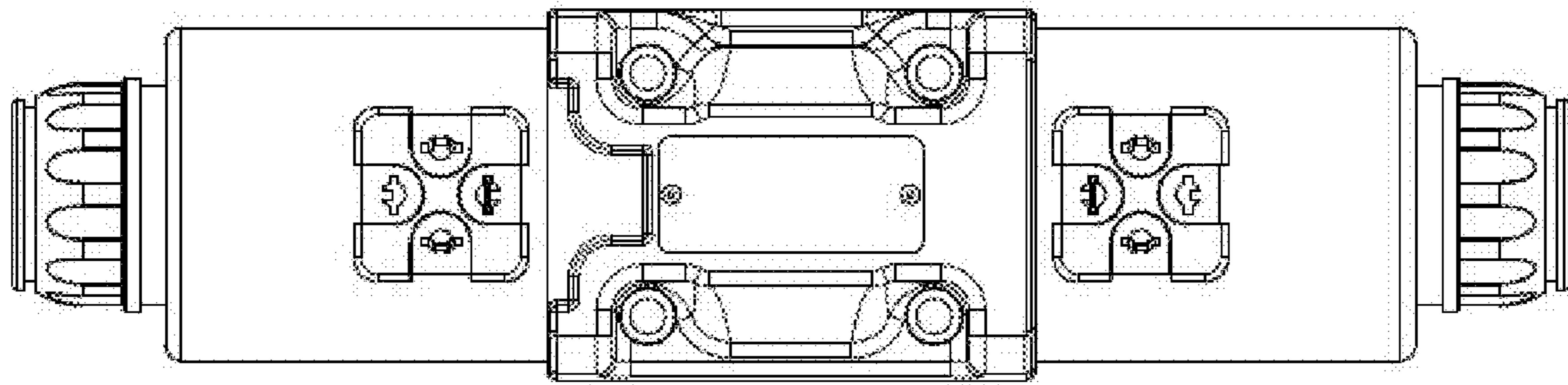


Fig. 4

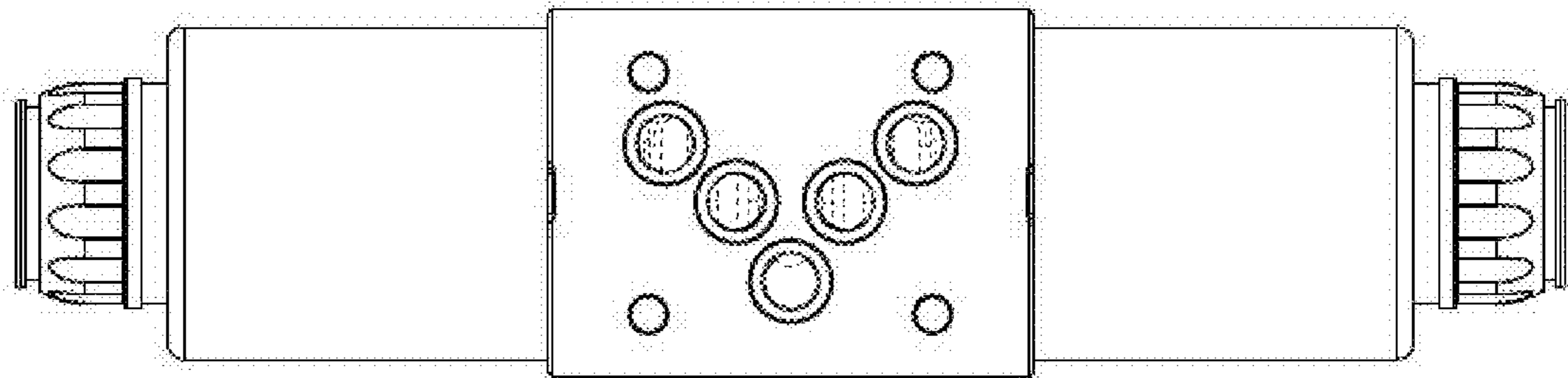


Fig. 5

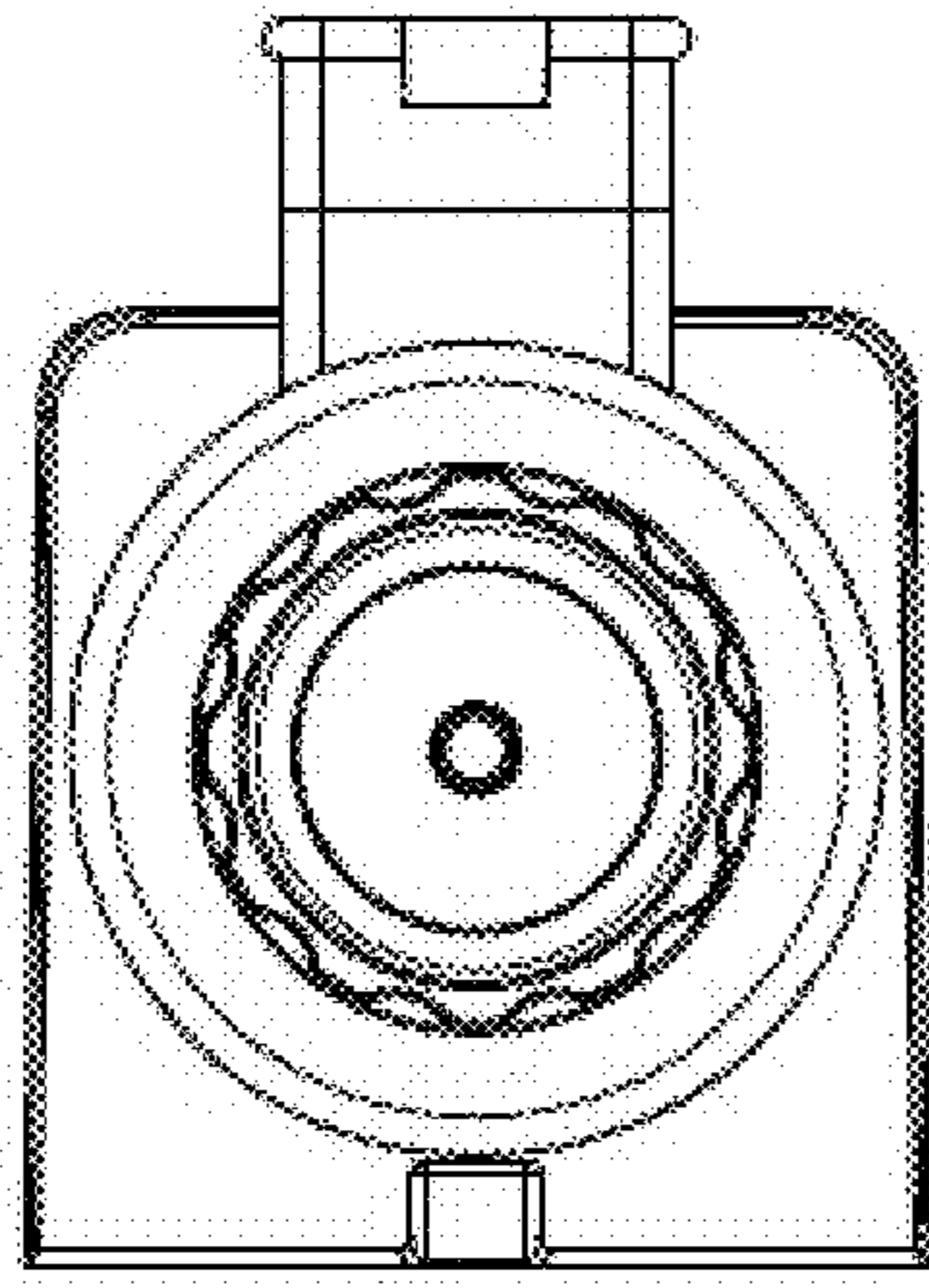


Fig. 6

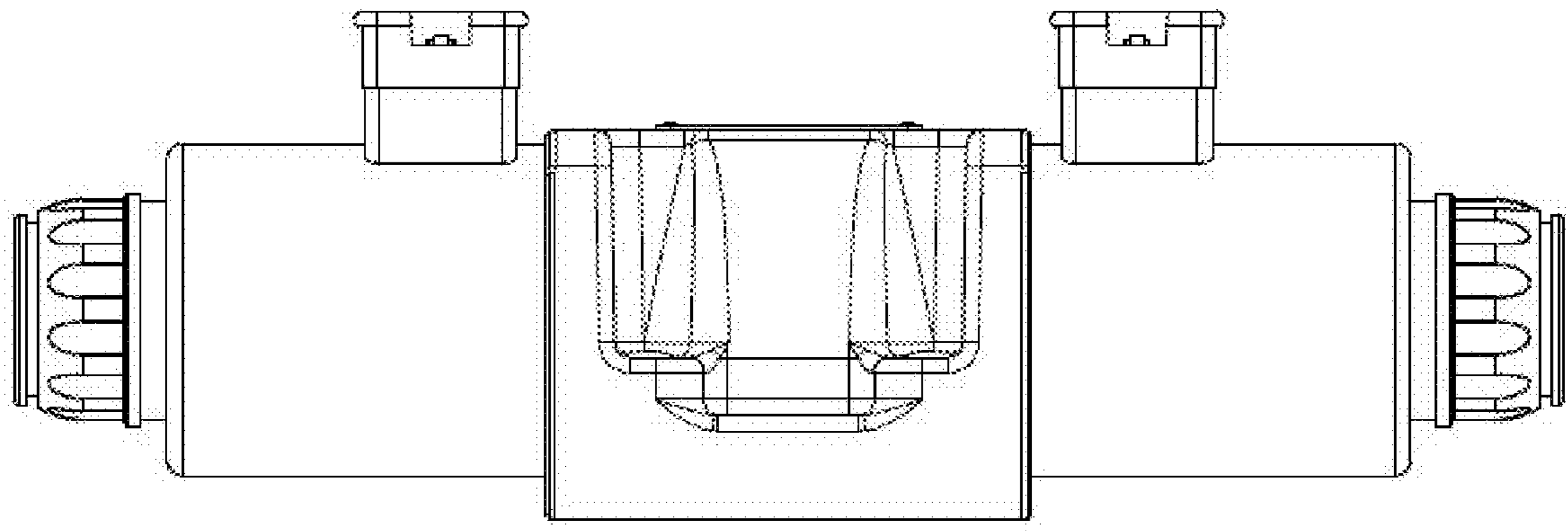


Fig. 7