



US00D728745S

(12) **United States Design Patent**  
**Duncan**

(10) **Patent No.:** **US D728,745 S**  
(45) **Date of Patent:** **\*\* May 5, 2015**

- (54) **STOPCOCK STATUS INDICATOR**
- (71) Applicant: **David R. Duncan**, Penryn, CA (US)
- (72) Inventor: **David R. Duncan**, Penryn, CA (US)
- (\*\*) Term: **14 Years**
- (21) Appl. No.: **29/481,534**
- (22) Filed: **Feb. 6, 2014**
- (51) **LOC (10) Cl.** ..... **23-01**
- (52) **U.S. Cl.**  
USPC ..... **D23/233**
- (58) **Field of Classification Search**  
CPC ..... F16K 27/06; F16K 5/00; F16K 5/12;  
F16K 11/105; F16K 31/524; F16K 41/046;  
B67D 1/1444; E03C 1/08; E03C 2001/026;  
F04B 43/043; F16L 55/11  
USPC ..... D23/233-250; 137/625.46, 239,  
137/625.17, 625, 625.47, 625.19, 599.08;  
251/122, 309, 149.1; 604/167.05, 248  
See application file for complete search history.

(56) **References Cited**

U.S. PATENT DOCUMENTS

- D224,106 S \* 7/1972 Baranowski, Jr. .... D23/235
- 4,635,674 A \* 1/1987 Bajka ..... 137/246.22

(Continued)

*Primary Examiner* — Cynthia Ramirez

*Assistant Examiner* — Gino Colan

(74) *Attorney, Agent, or Firm* — Heisler & Associates

(57) **CLAIM**

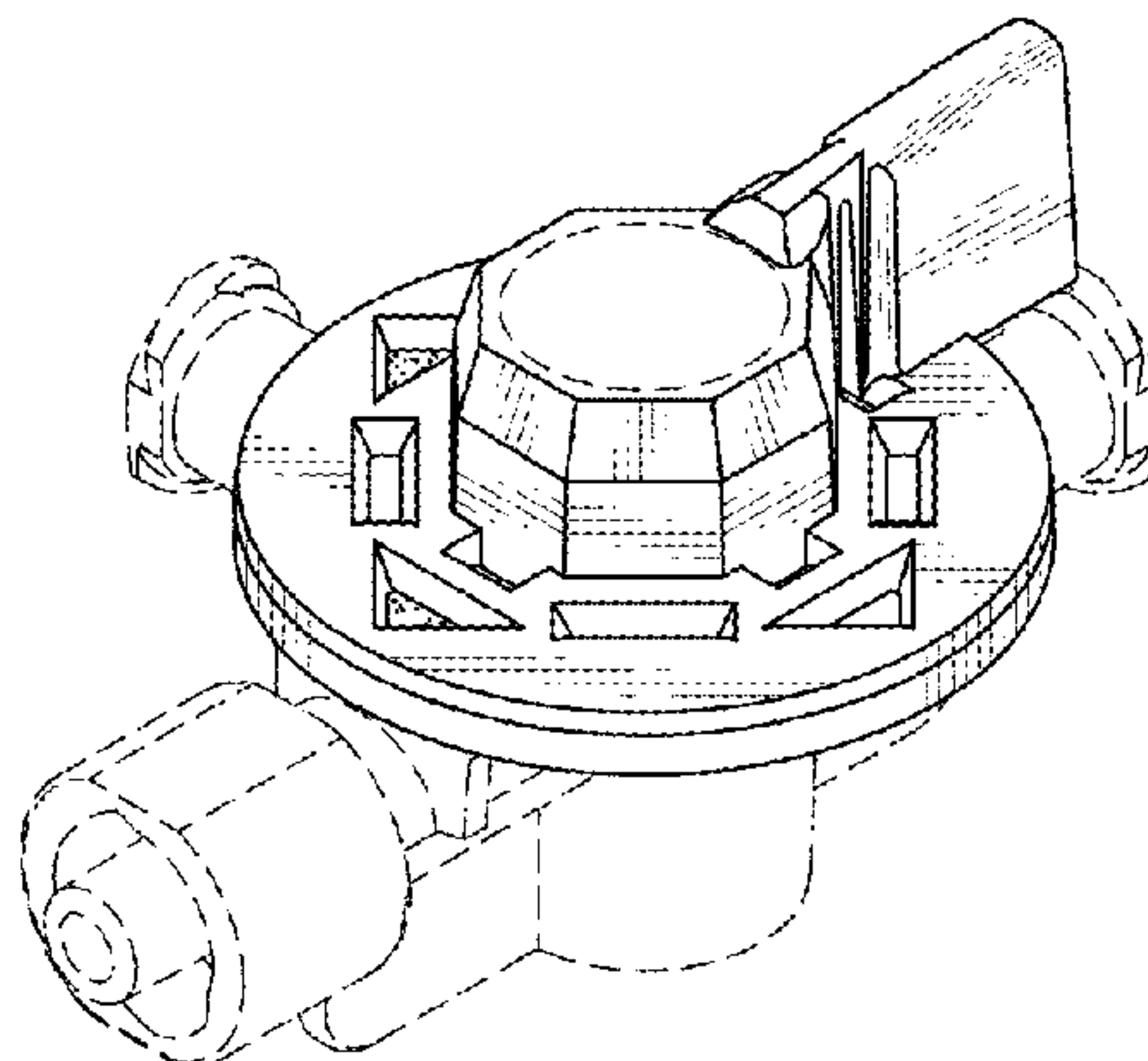
The ornamental design for a stopcock status indicator, as shown and described.

**DESCRIPTION**

- FIG. 1 is a perspective view of the stopcock status indicator.
- FIG. 2 is a left side view of the invention.
- FIG. 3 is a front elevation view of the invention.
- FIG. 4 is a right side view of the invention.
- FIG. 5 is a rear elevation view of the invention.

- FIG. 6 is a top plan view of the invention with an indicator portion in a first position.
  - FIG. 7 is a top plan view of the invention with an indicator portion in a second position.
  - FIG. 8 is a top plan view of the invention with an indicator portion in a third position.
  - FIG. 9 is a top plan view of the invention with an indicator portion in a fourth position.
  - FIG. 10 is a top plan view of the invention with an indicator portion in a fifth position.
  - FIG. 11 is a top plan view of the invention with an indicator portion in a sixth position.
  - FIG. 12 is a top plan view of the invention with an indicator portion in a seventh position.
  - FIG. 13 is a top plan view of the invention with an indicator portion in an eighth position.
  - FIG. 14 is a perspective view of a second embodiment of the stopcock status indicator.
  - FIG. 15 is a left side view of the invention.
  - FIG. 16 is a front elevation view of the invention.
  - FIG. 17 is a right side view of the invention.
  - FIG. 18 is a rear elevation view of the invention.
  - FIG. 19 is a top plan view of the invention with an indicator portion in a first position.
  - FIG. 20 is a top plan view of the invention with an indicator portion in a second position.
  - FIG. 21 is a top plan view of the invention with an indicator portion in a third position.
  - FIG. 22 is a top plan view of the invention with an indicator portion in a fourth position.
  - FIG. 23 is a top plan view of the invention with an indicator portion in a fifth position.
  - FIG. 24 is a top plan view of the invention with an indicator portion in a sixth position.
  - FIG. 25 is a top plan view of the invention with an indicator portion in a seventh position.
  - FIG. 26 is a top plan view of the invention with an indicator portion in an eighth position; and,
  - FIG. 27 is another top plan view of the second embodiment.
- The broken lines in the drawings are included for the purpose of illustrating elements of the stopcock status indicator and form no part of the claimed design.

**1 Claim, 5 Drawing Sheets**



(56)

**References Cited**

U.S. PATENT DOCUMENTS

4,807,666	A *	2/1989	Morse	137/625.47	7,695,445	B2 *	4/2010	Yuki	604/4.01
D316,292	S *	4/1991	Baker	D23/249	D616,067	S *	5/2010	Cavagna	D23/233
5,104,387	A *	4/1992	Pokorney et al.	604/248	7,849,877	B2 *	12/2010	Tan et al.	137/625.46
D345,006	S *	3/1994	Gallagher et al.	D23/245	D634,813	S *	3/2011	Hernandez, IV	D23/233
D347,880	S *	6/1994	Benson	D23/233	7,984,730	B2 *	7/2011	Ziv et al.	137/625.46
D357,735	S *	4/1995	McPhee	D24/129	8,534,321	B2 *	9/2013	Ziv et al.	137/625.46
5,839,470	A *	11/1998	Hiejima et al.	137/599.08	8,739,831	B2 *	6/2014	Zhou et al.	137/625.11
D403,050	S *	12/1998	Schlick	D23/235	2004/0045613	A1 *	3/2004	Hinojosa et al.	137/625.47
6,158,467	A *	12/2000	Loo	137/625.47	2008/0067462	A1 *	3/2008	Miller et al.	251/149.1
6,418,966	B2 *	7/2002	Loo	137/625.47	2008/0073610	A1 *	3/2008	Manning et al.	251/122
D483,487	S *	12/2003	Harding et al.	D24/129	2008/0121297	A1 *	5/2008	Indigne	137/625.47
D490,141	S *	5/2004	Pelletz et al.	D23/233	2010/0022968	A1 *	1/2010	Kitani	604/248
					2011/0089357	A1 *	4/2011	Tan et al.	251/285
					2014/0014207	A1 *	1/2014	Ziv et al.	137/625.46
					2014/0053931	A1 *	2/2014	Whitaker	137/625.17

\* cited by examiner

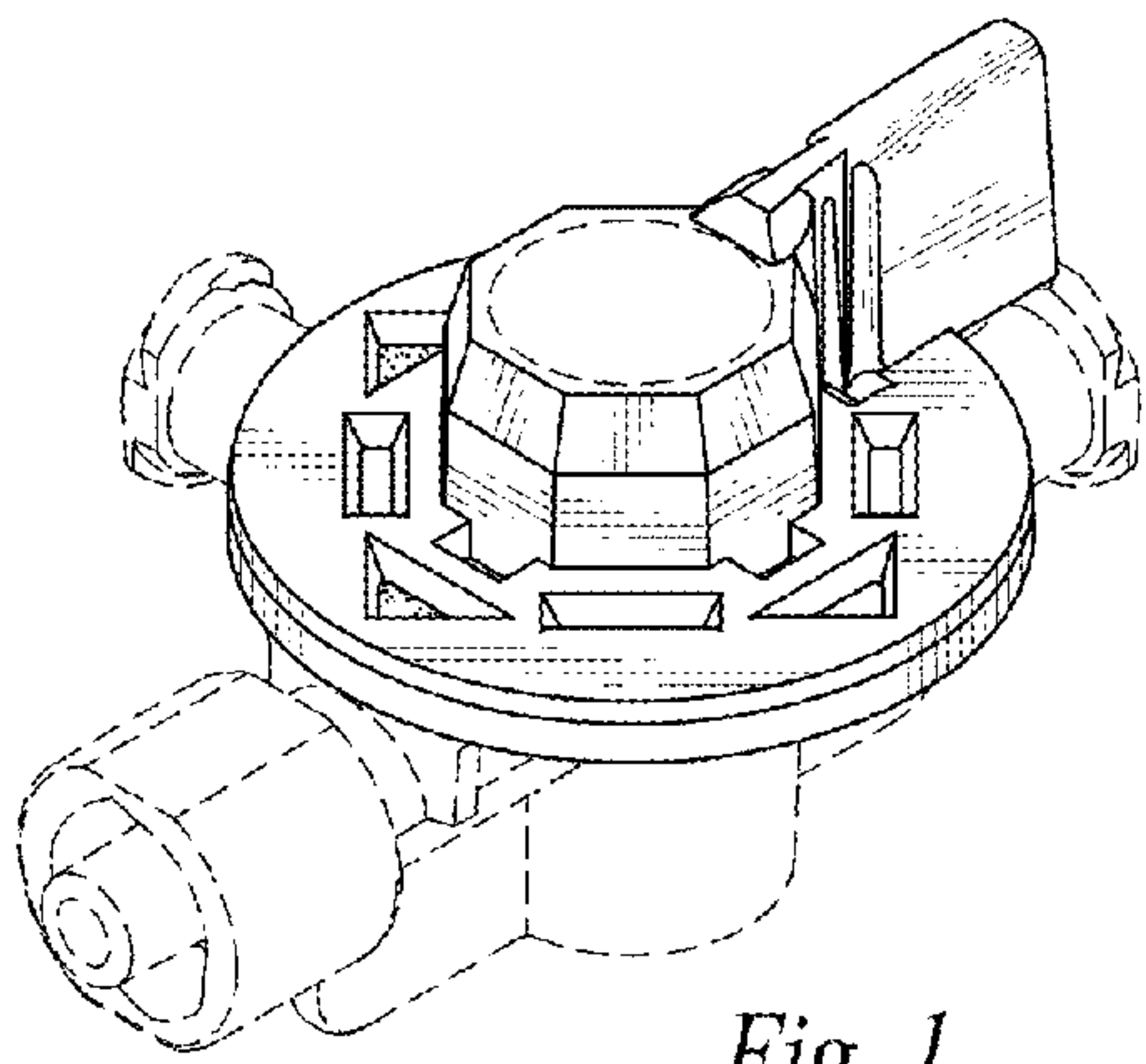


Fig. 1

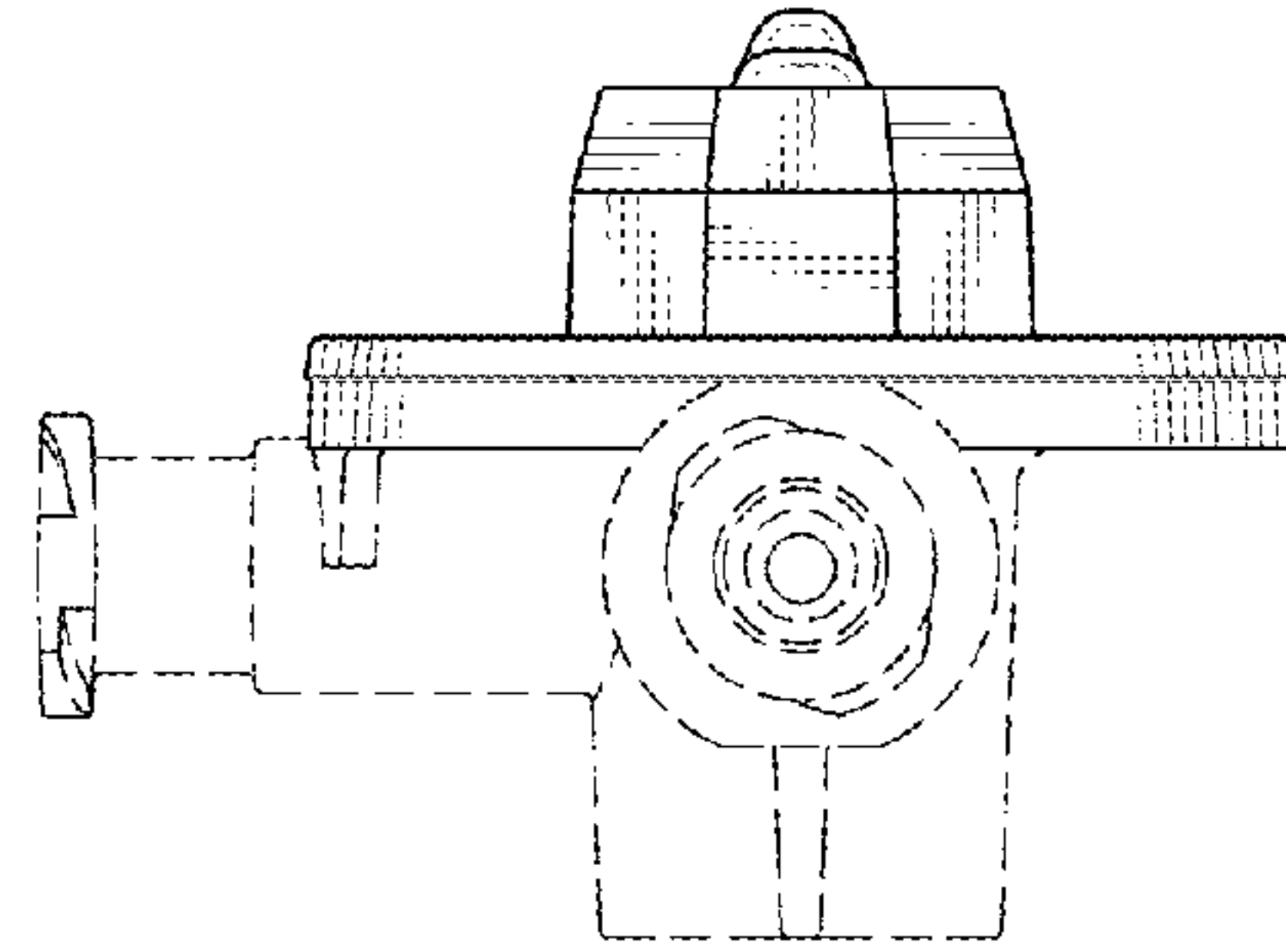


Fig. 2

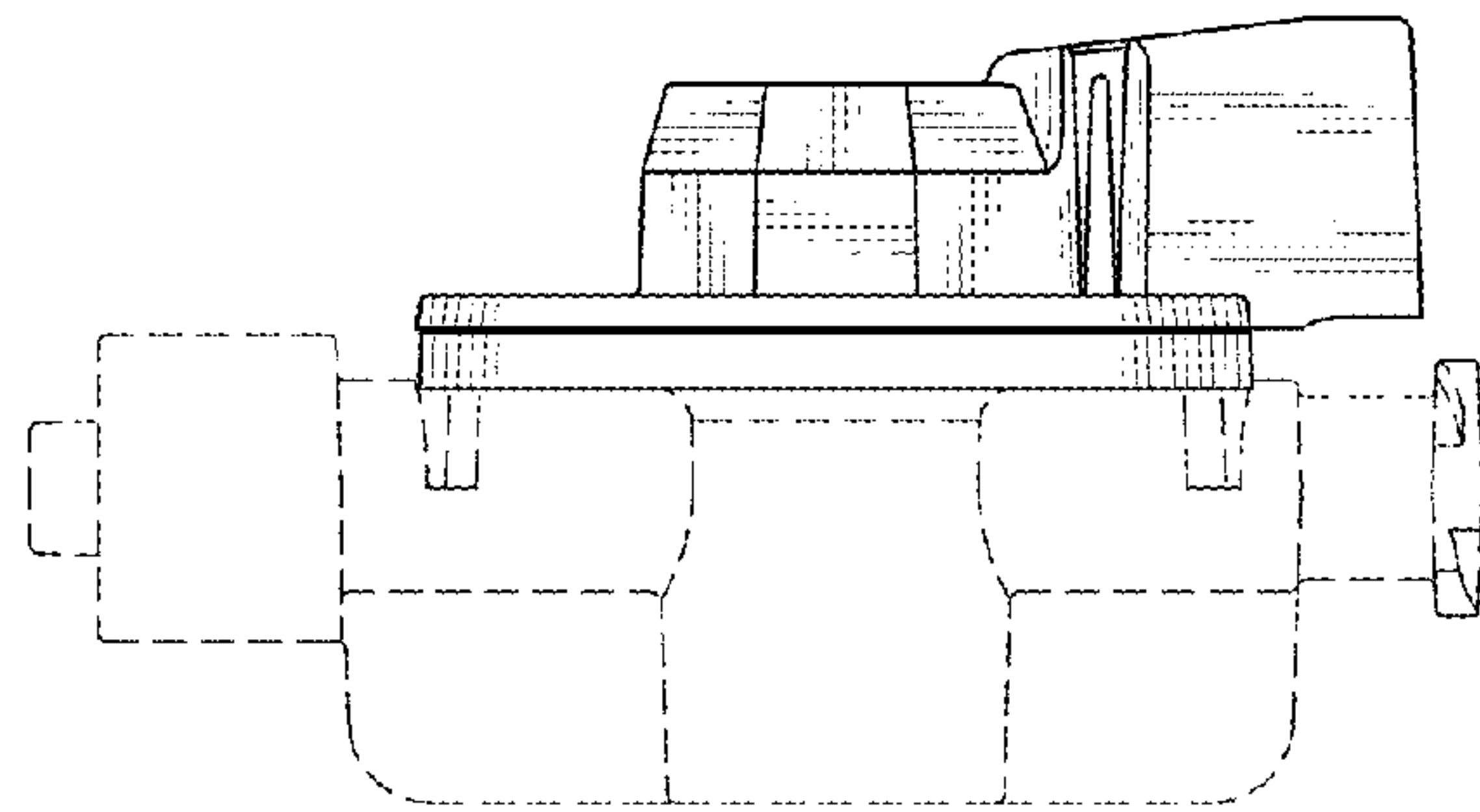


Fig. 3

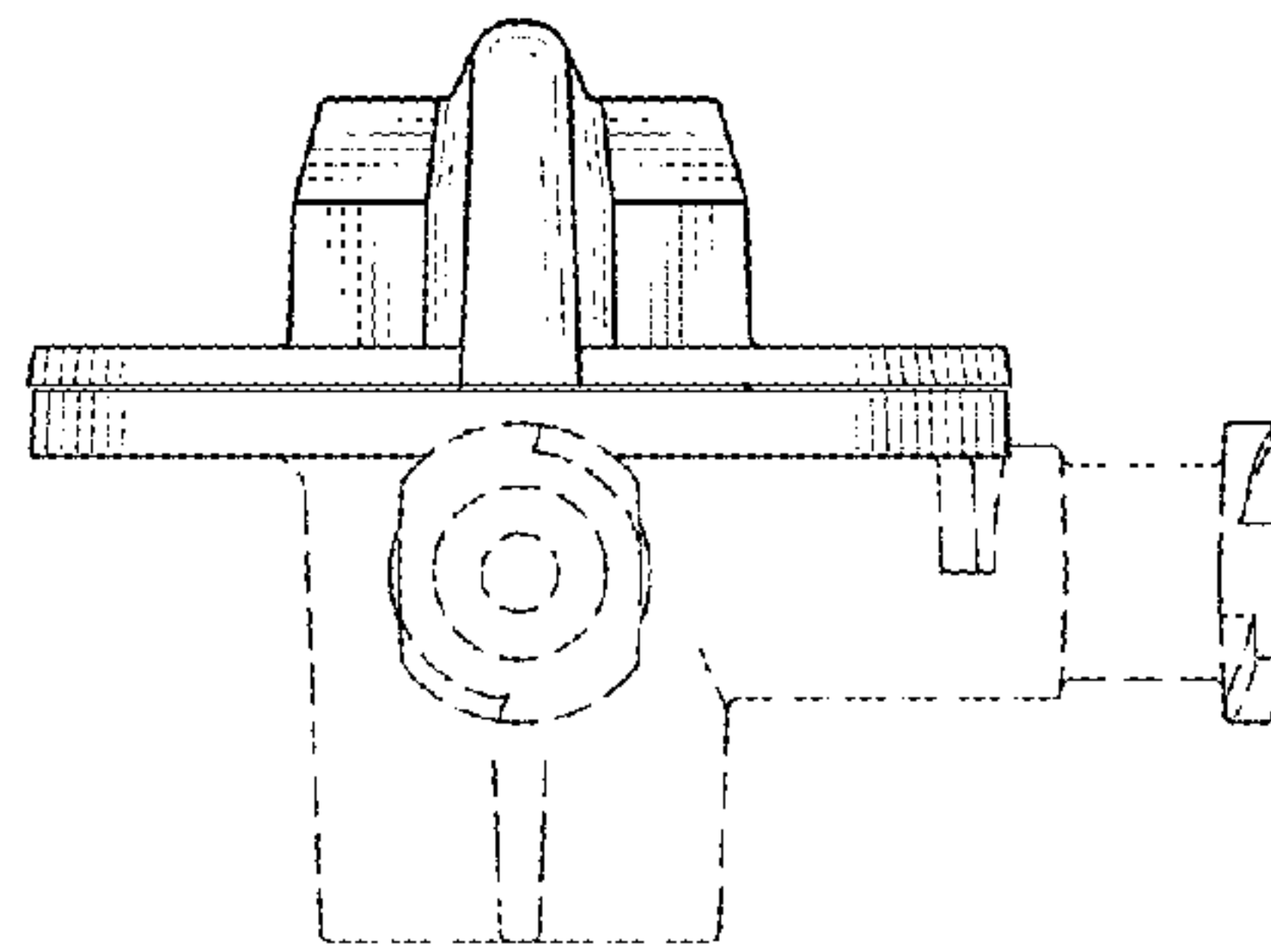


Fig. 4

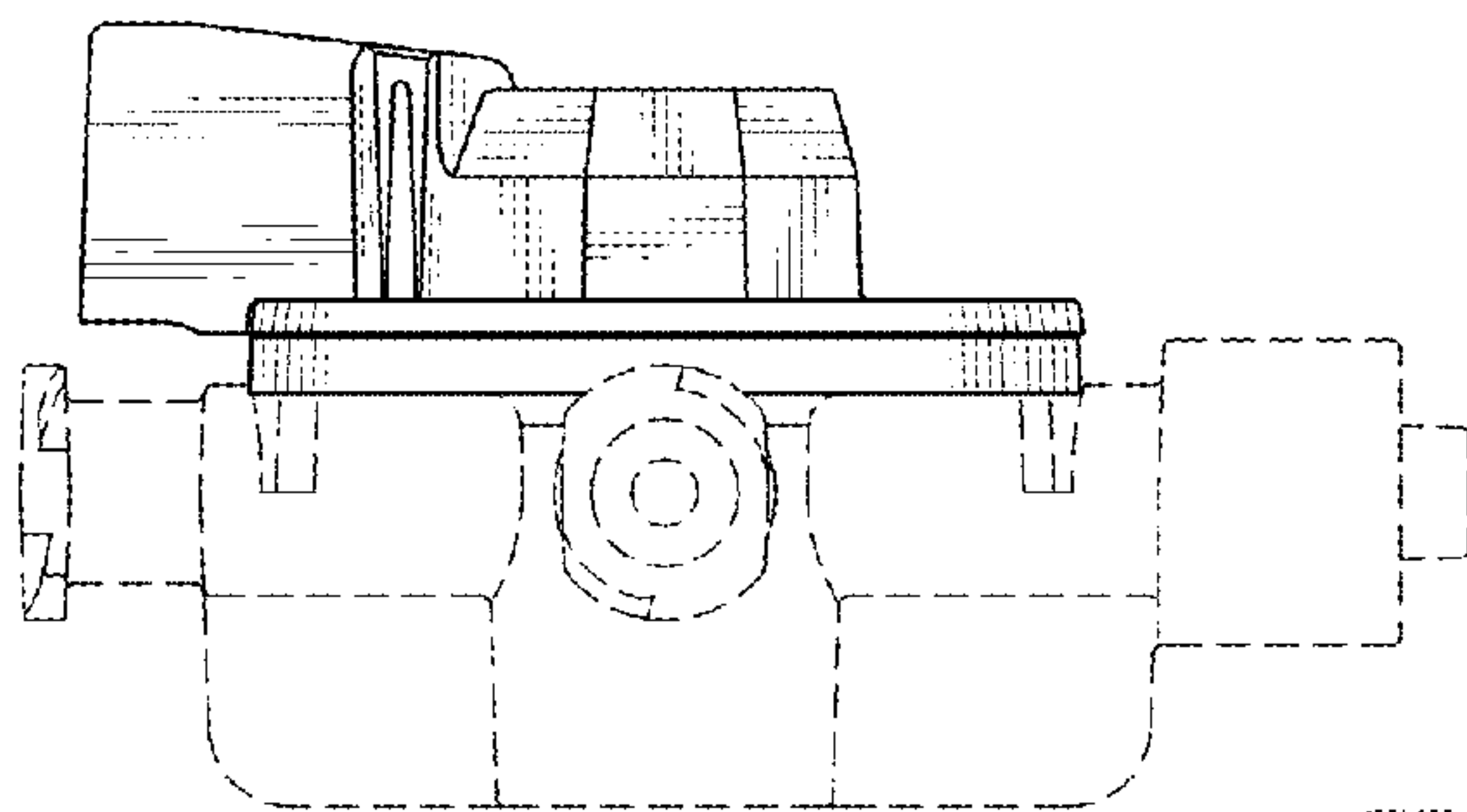


Fig. 5

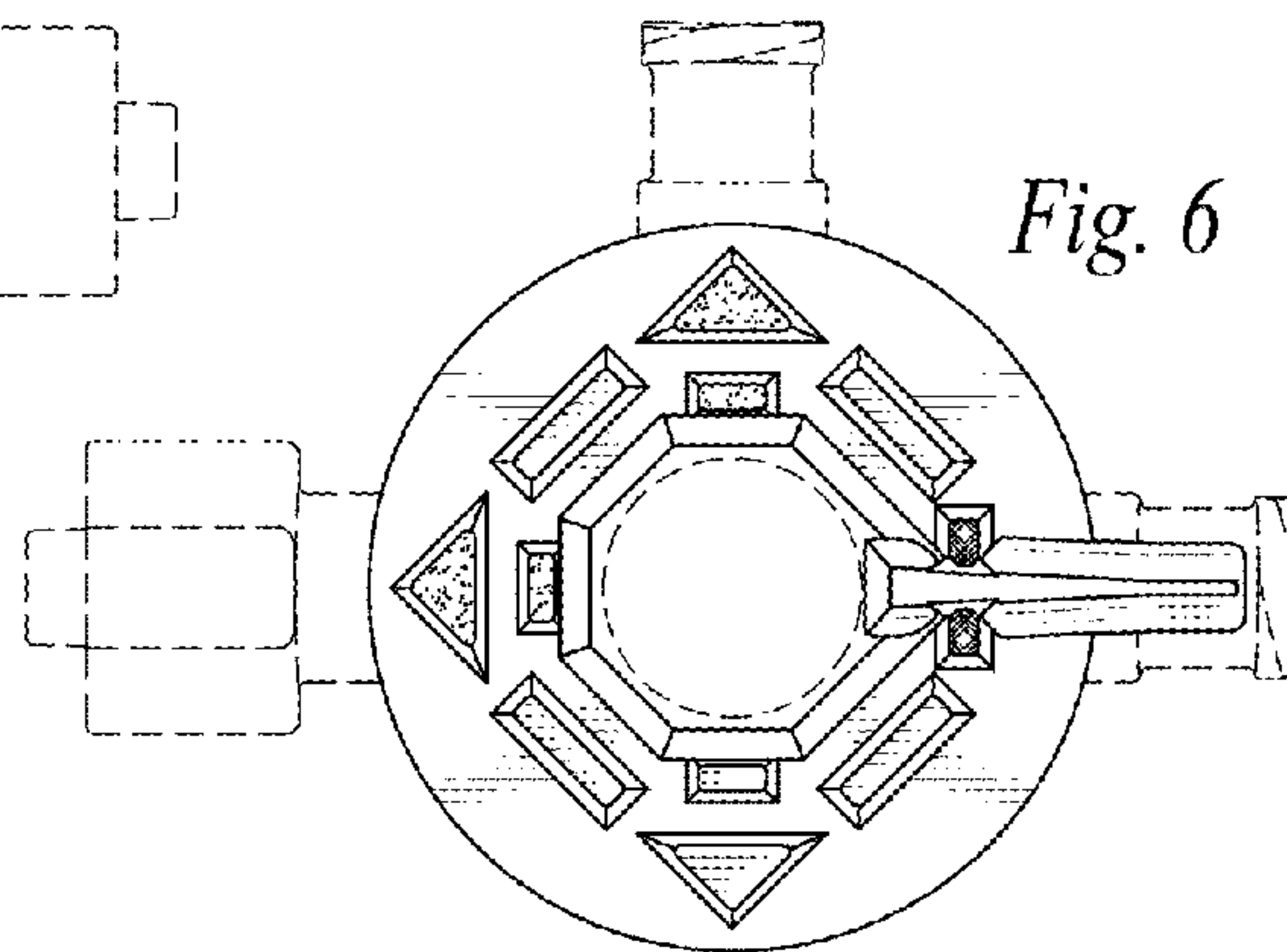
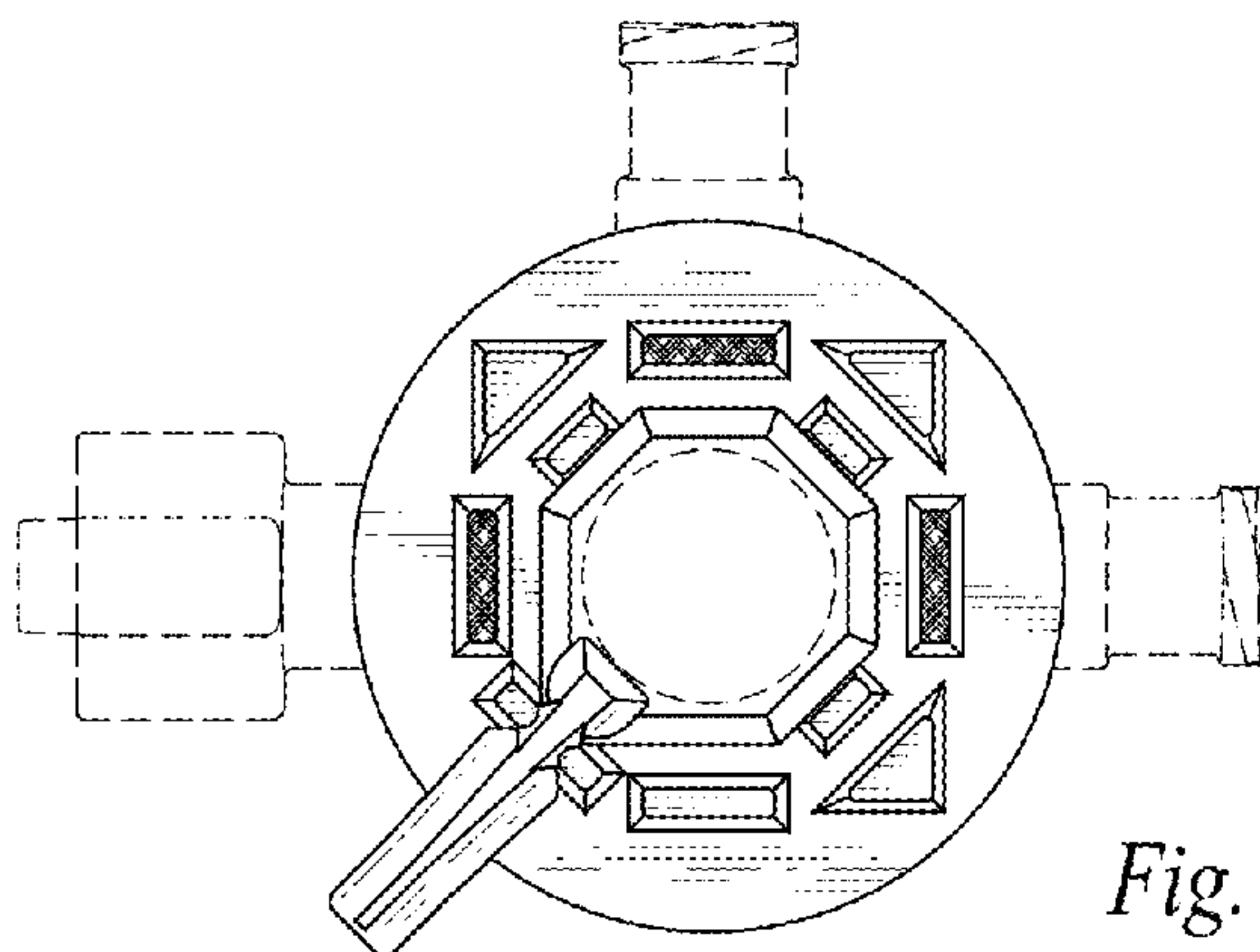
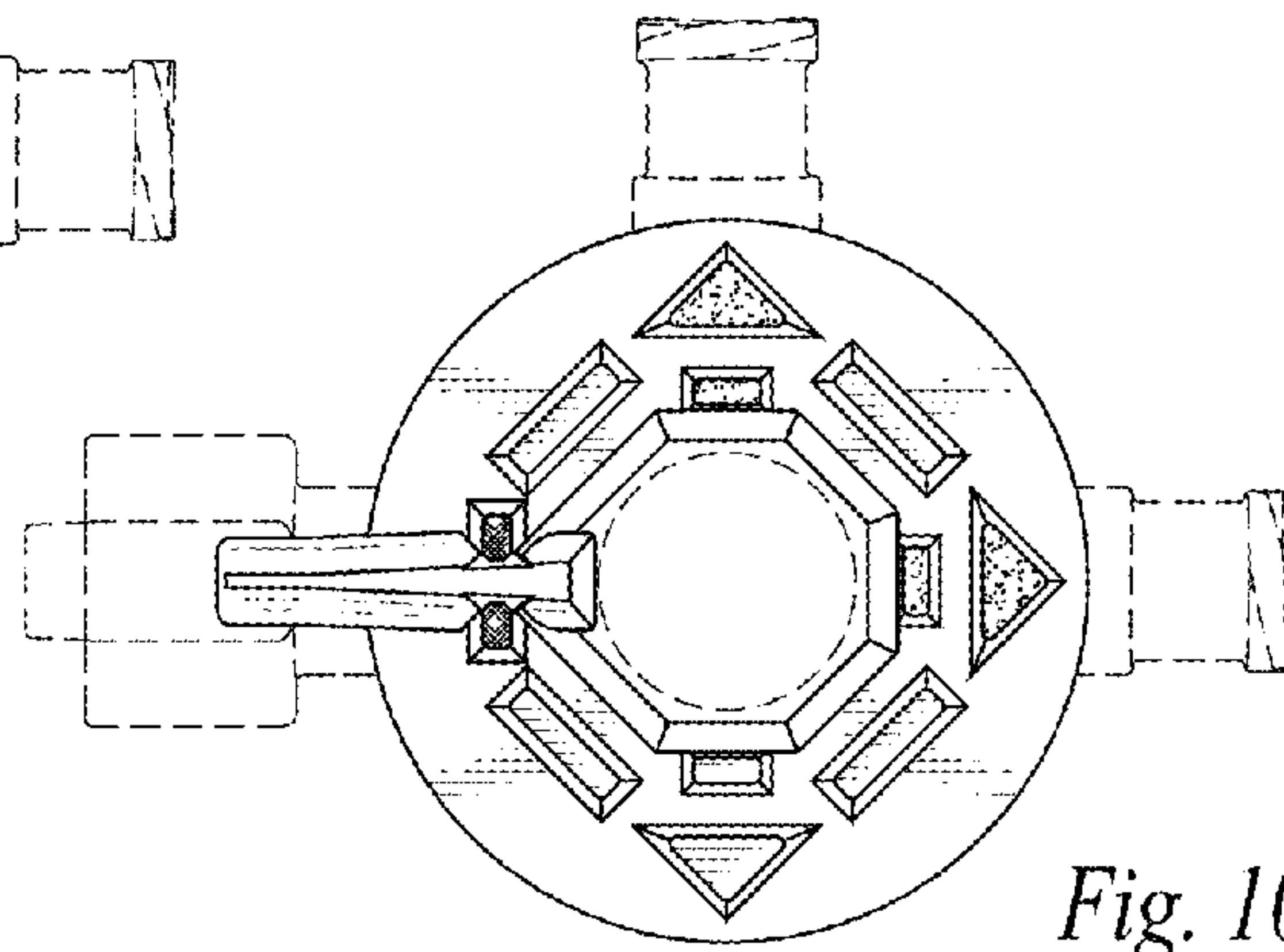
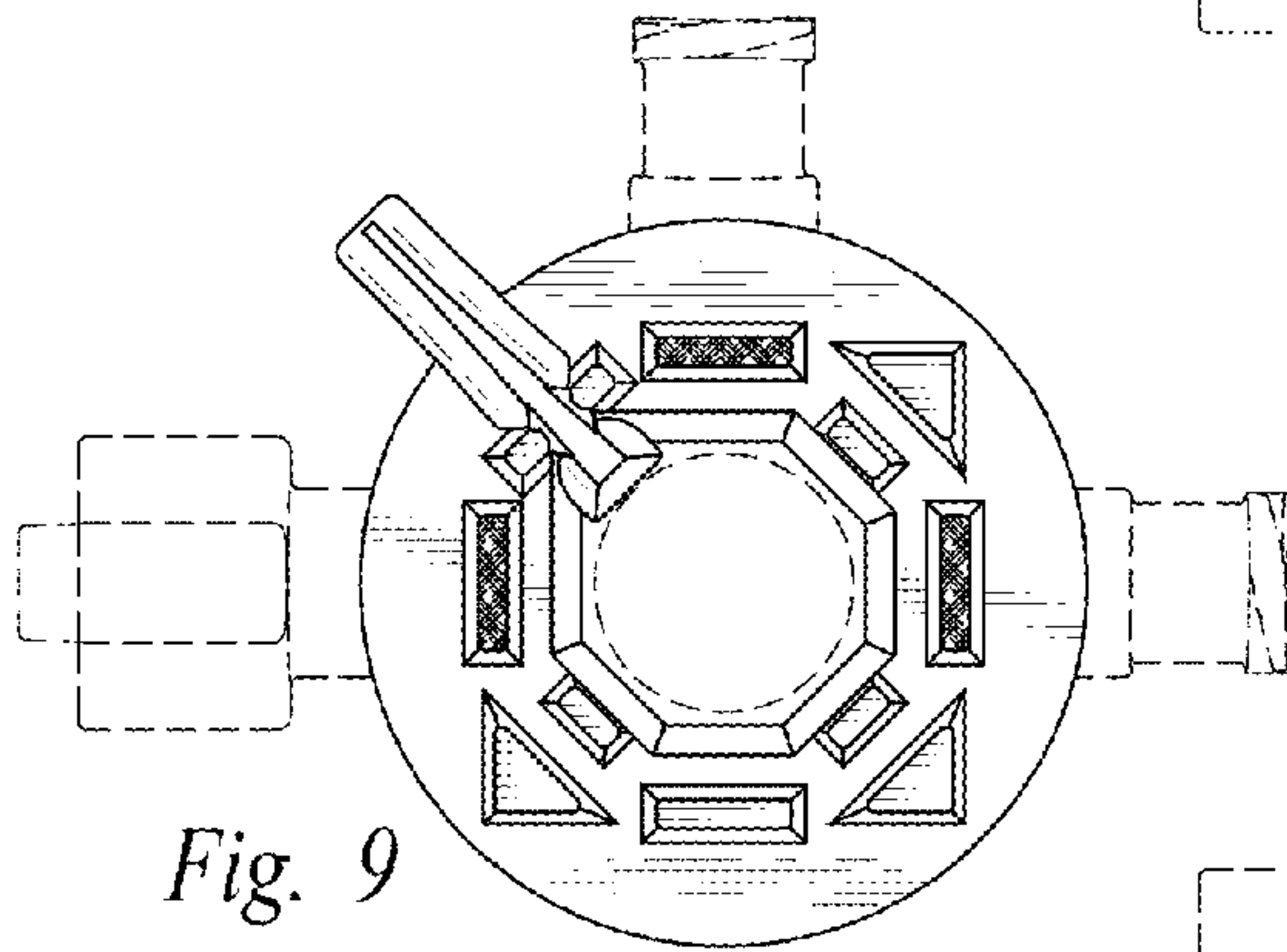
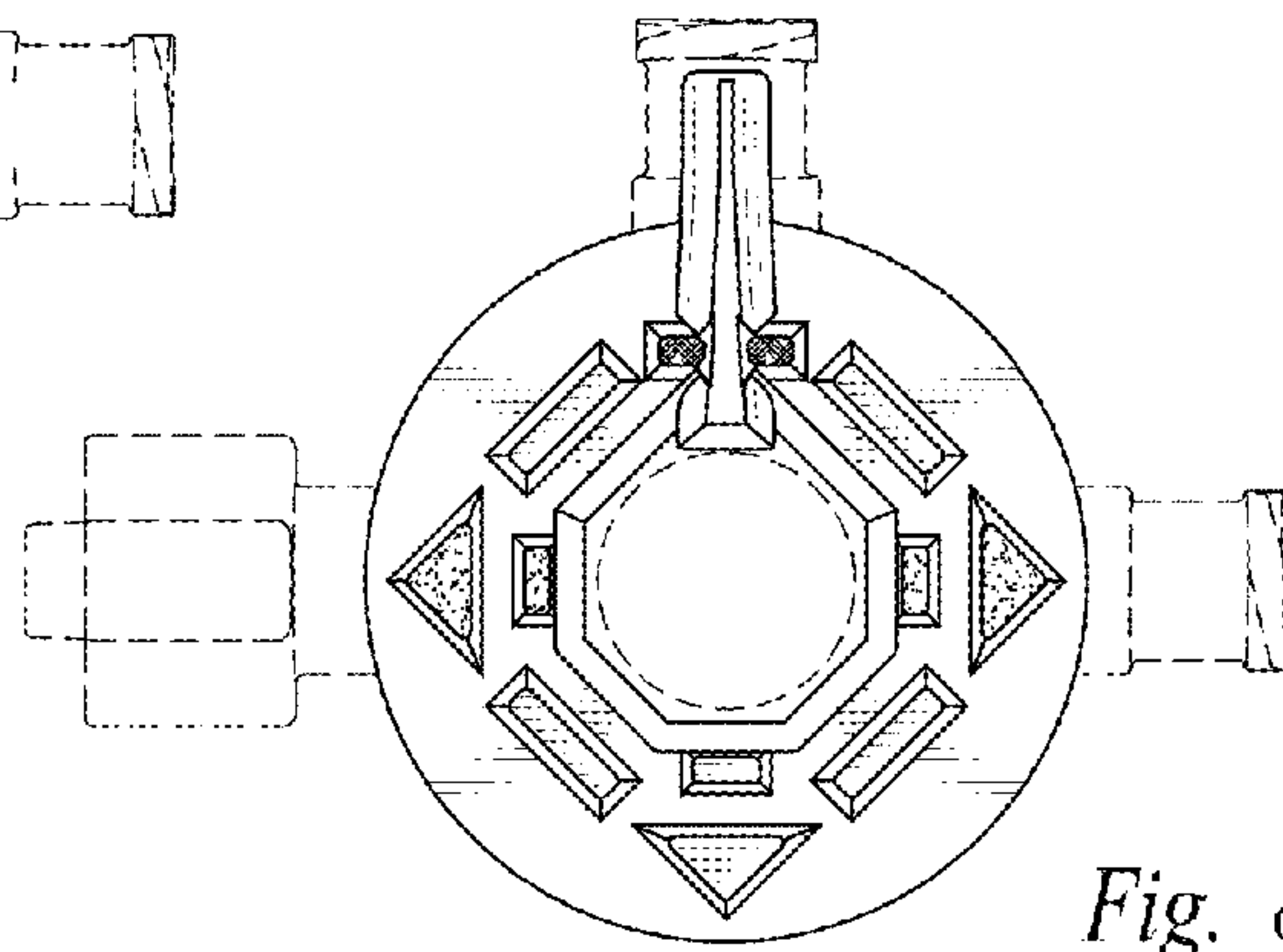
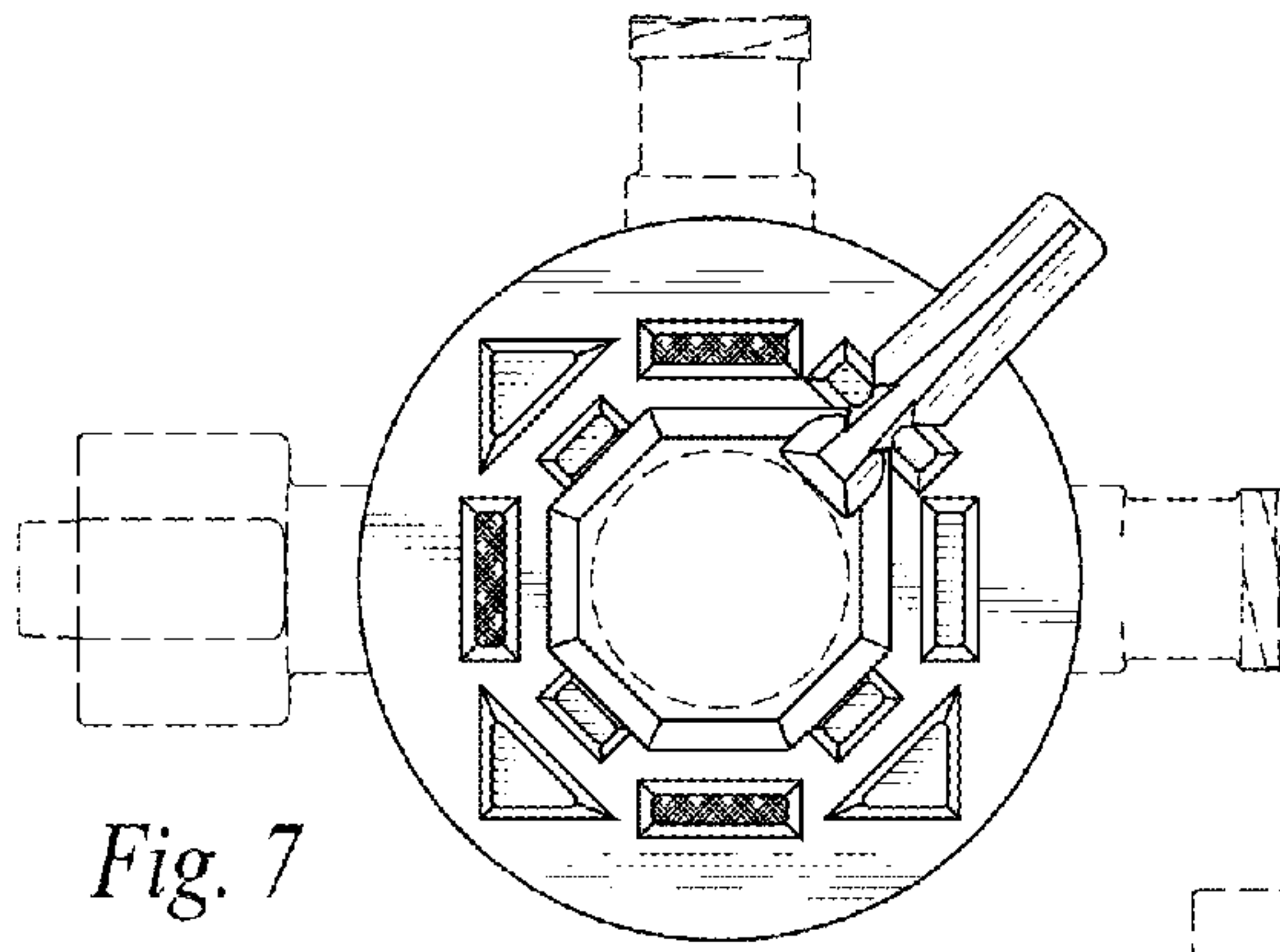


Fig. 6





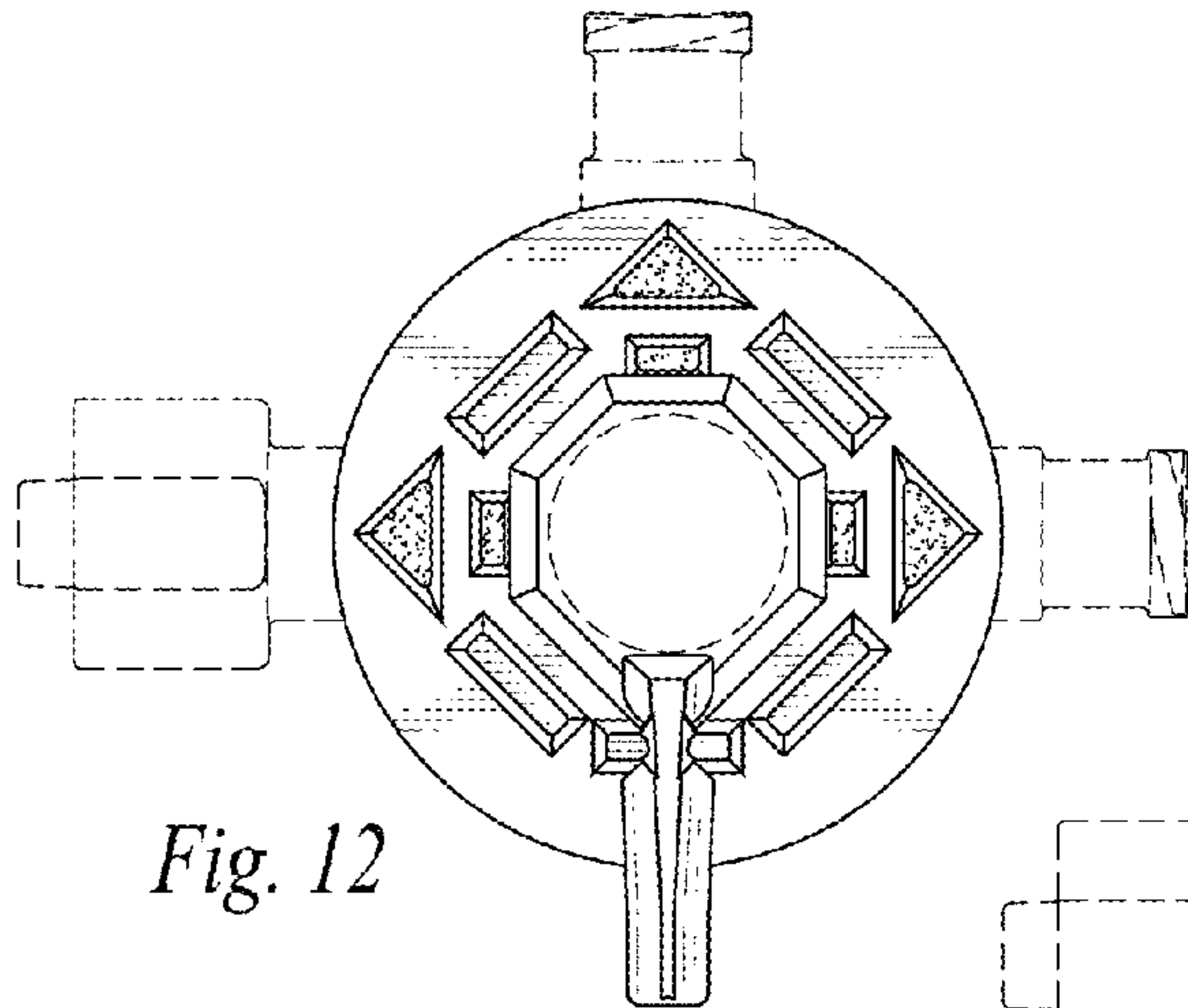


Fig. 12

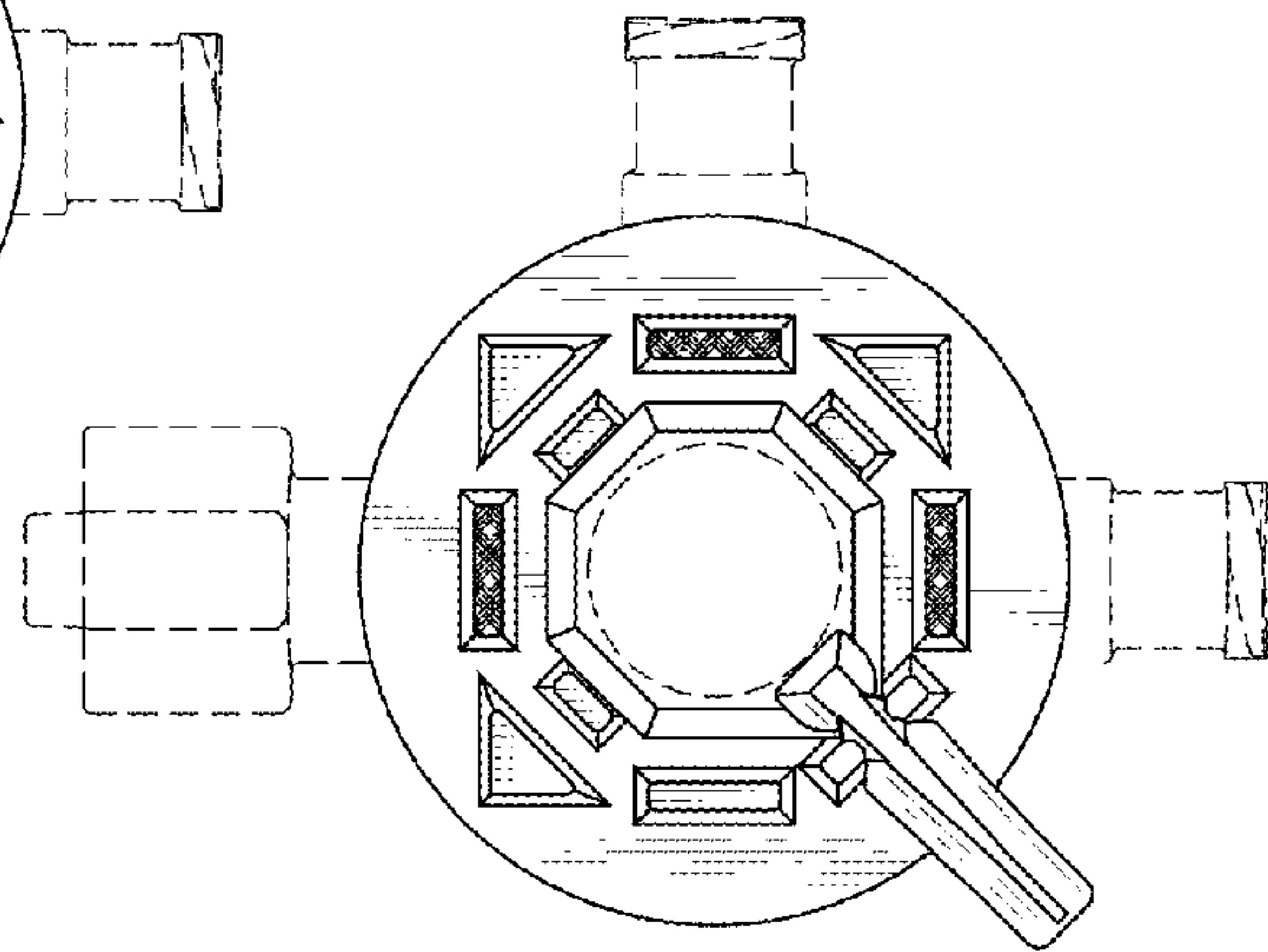


Fig. 13

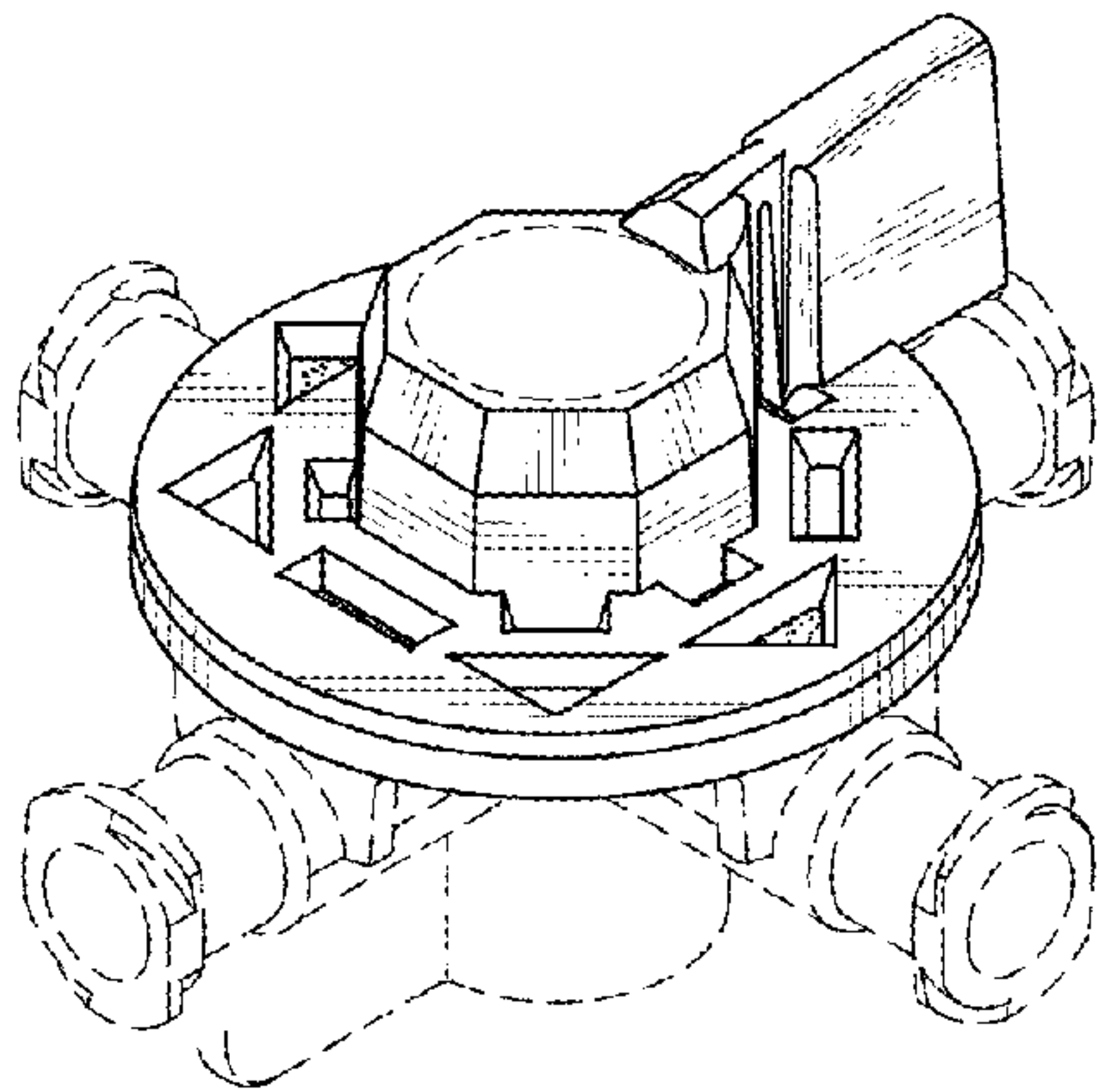


Fig. 14

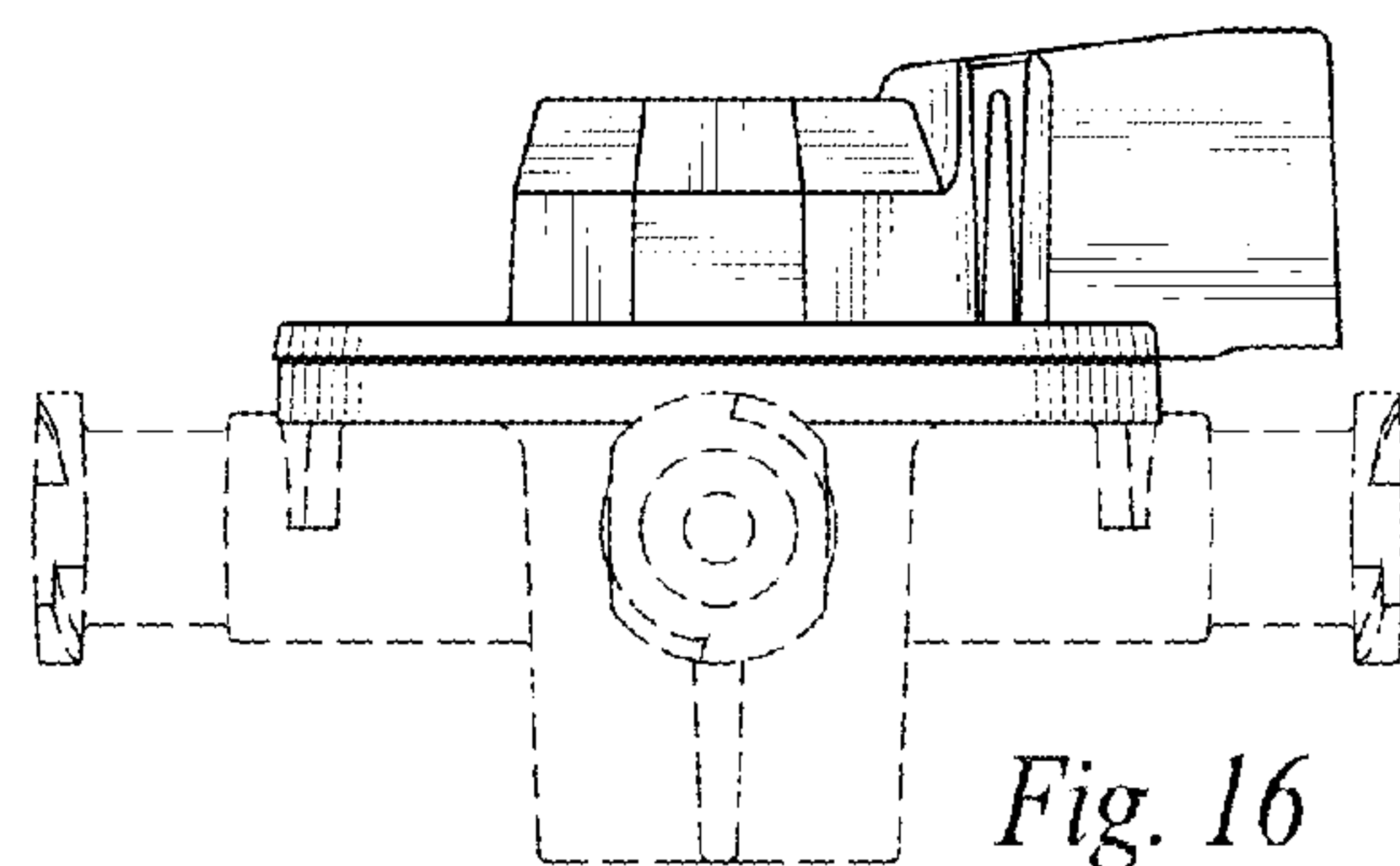


Fig. 16

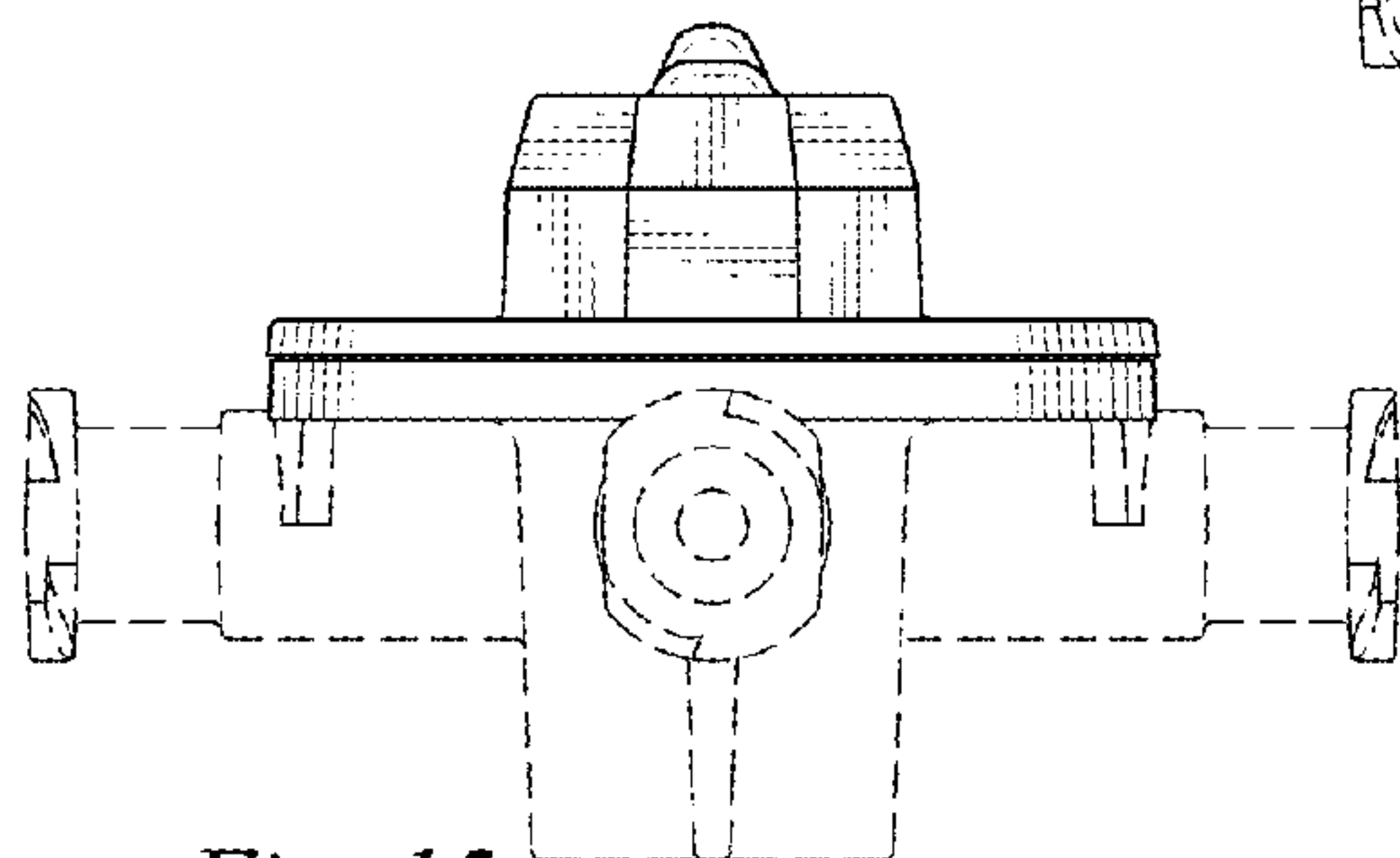
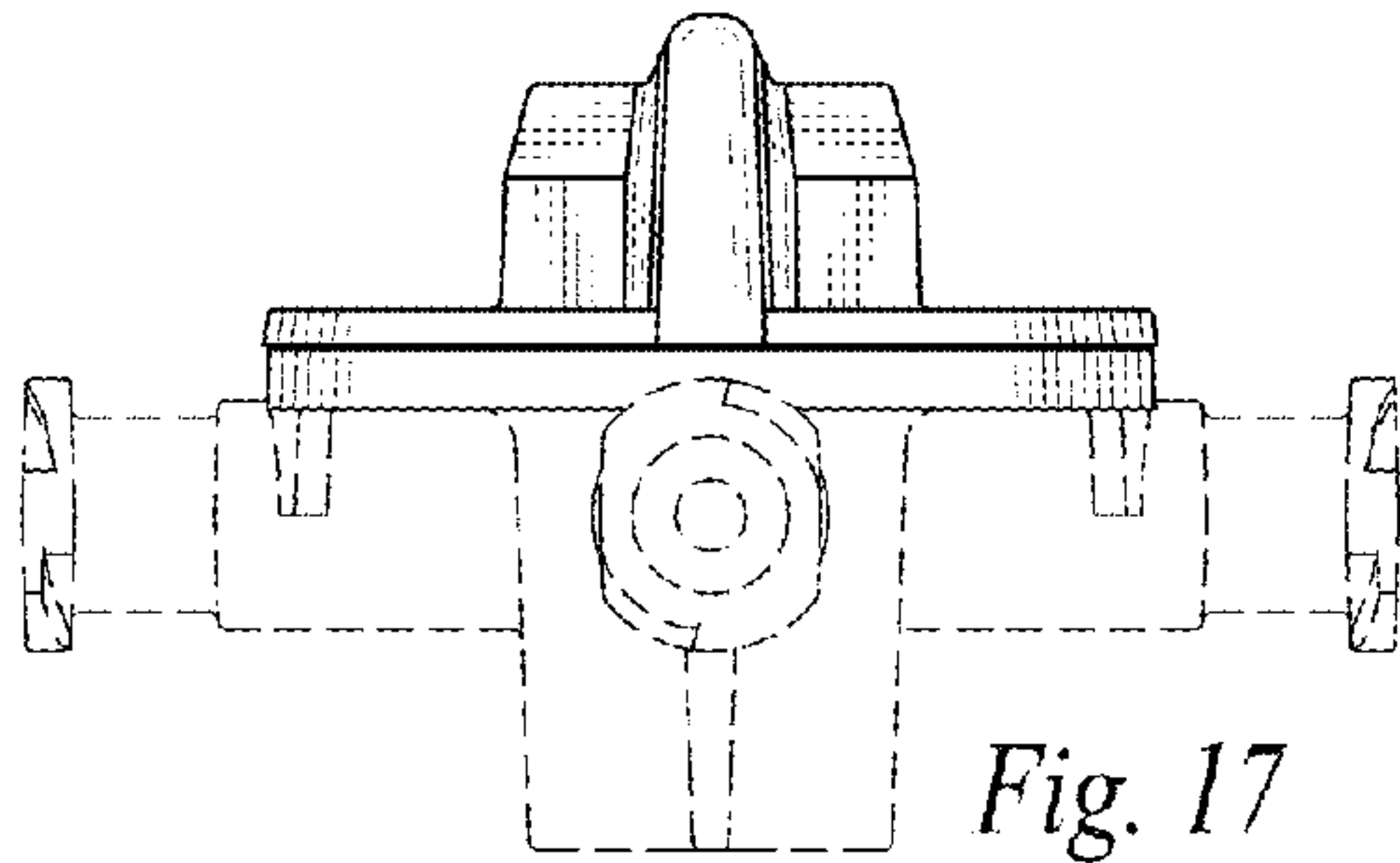
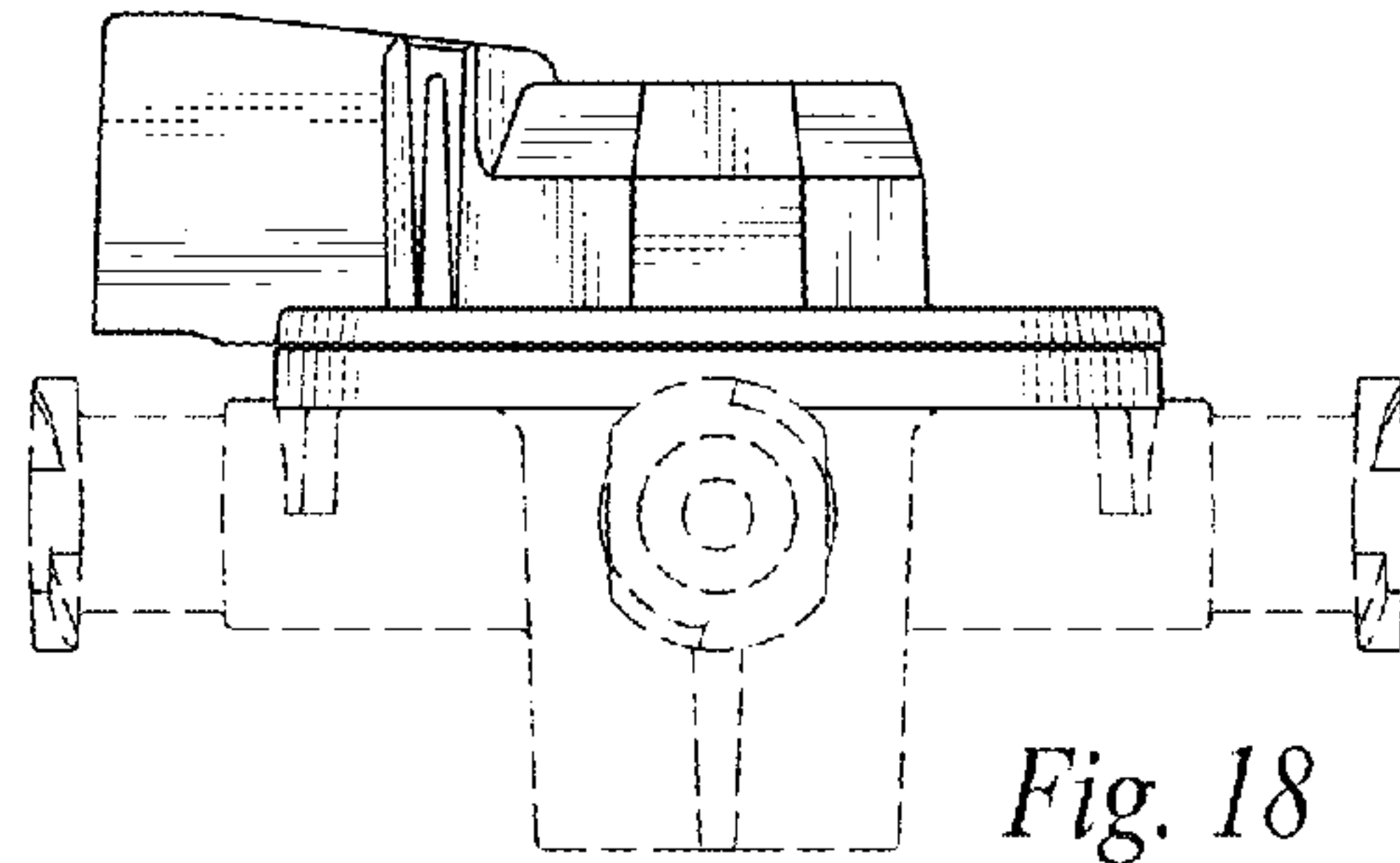


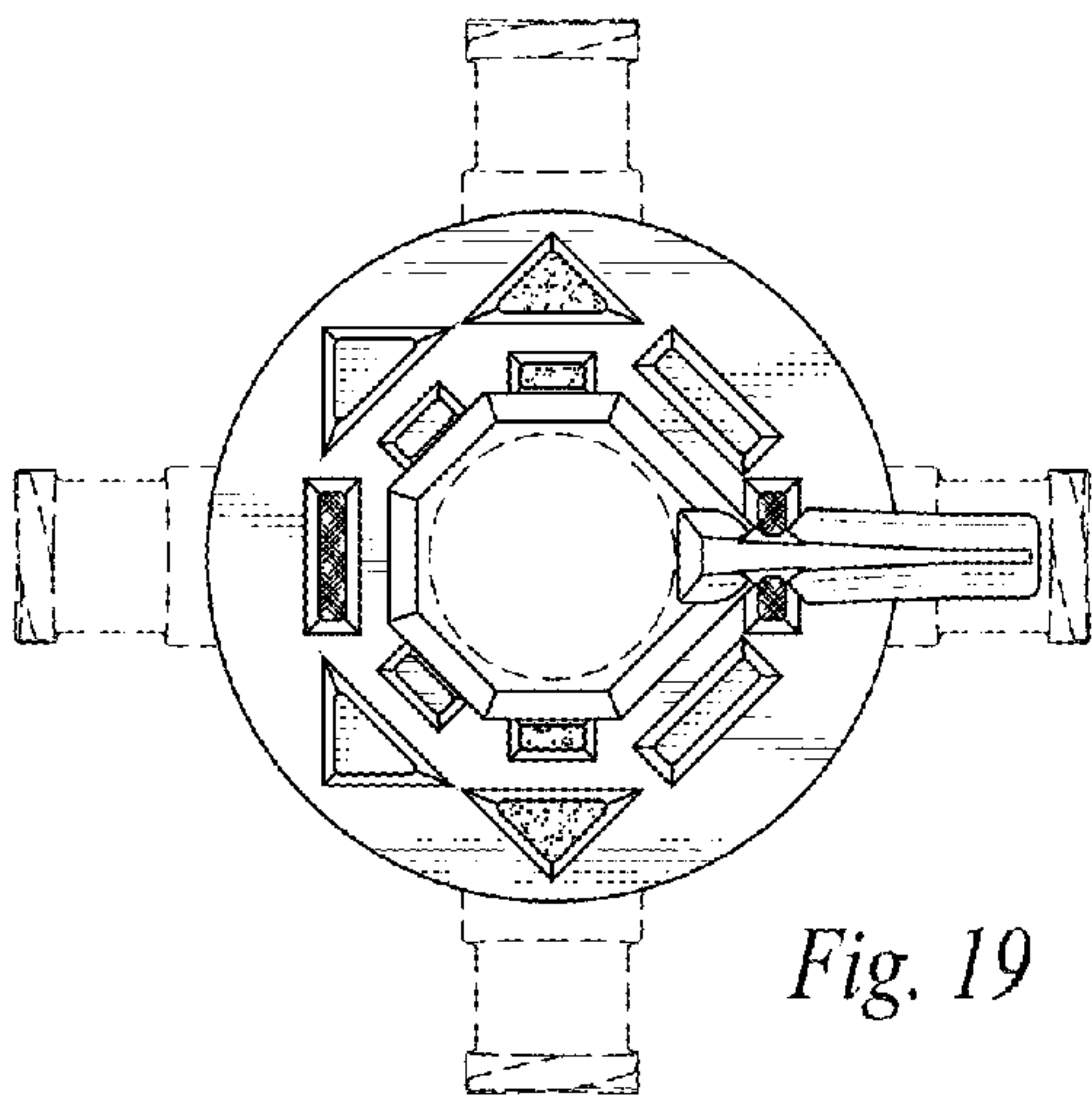
Fig. 15



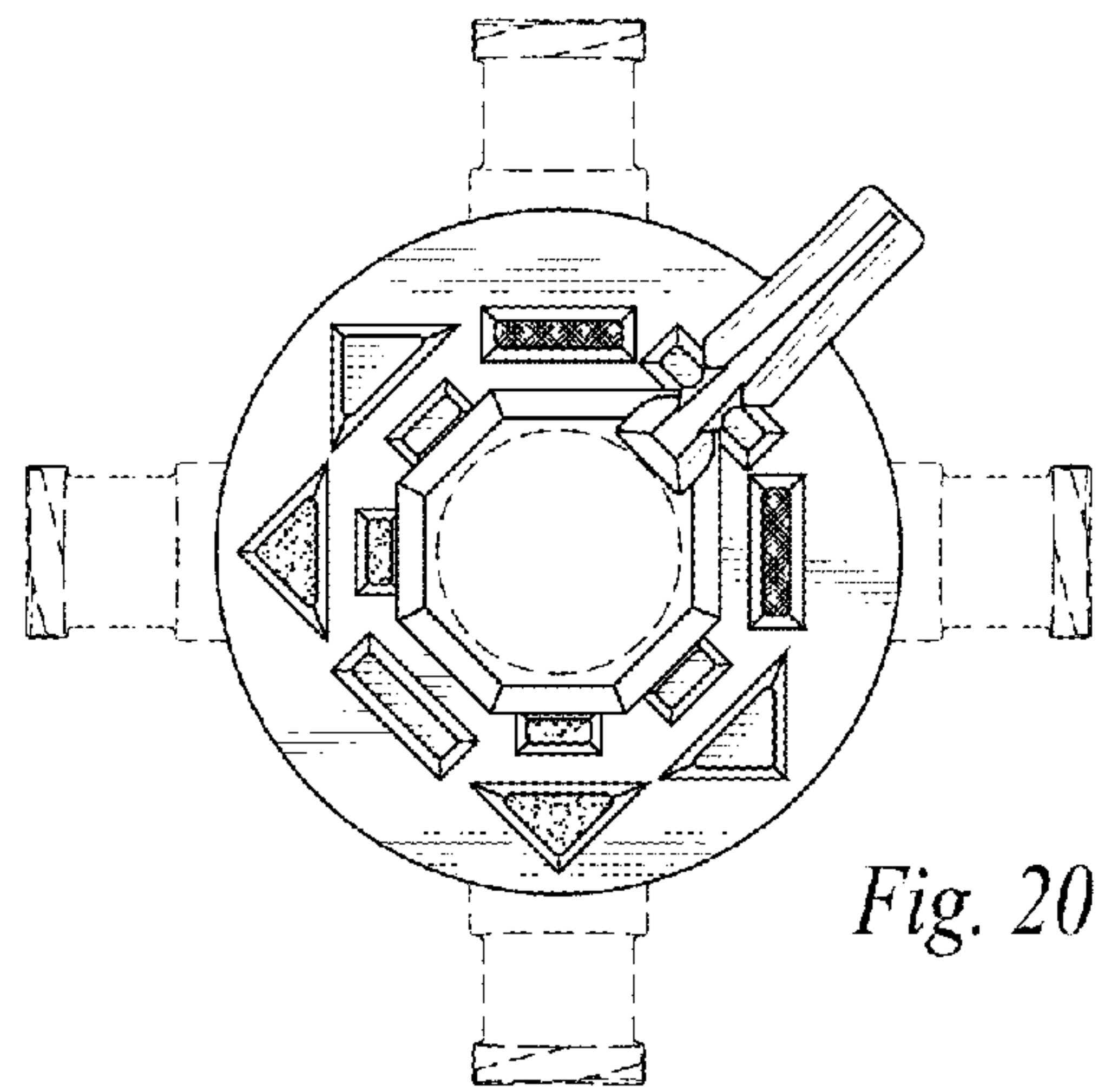
*Fig. 17*



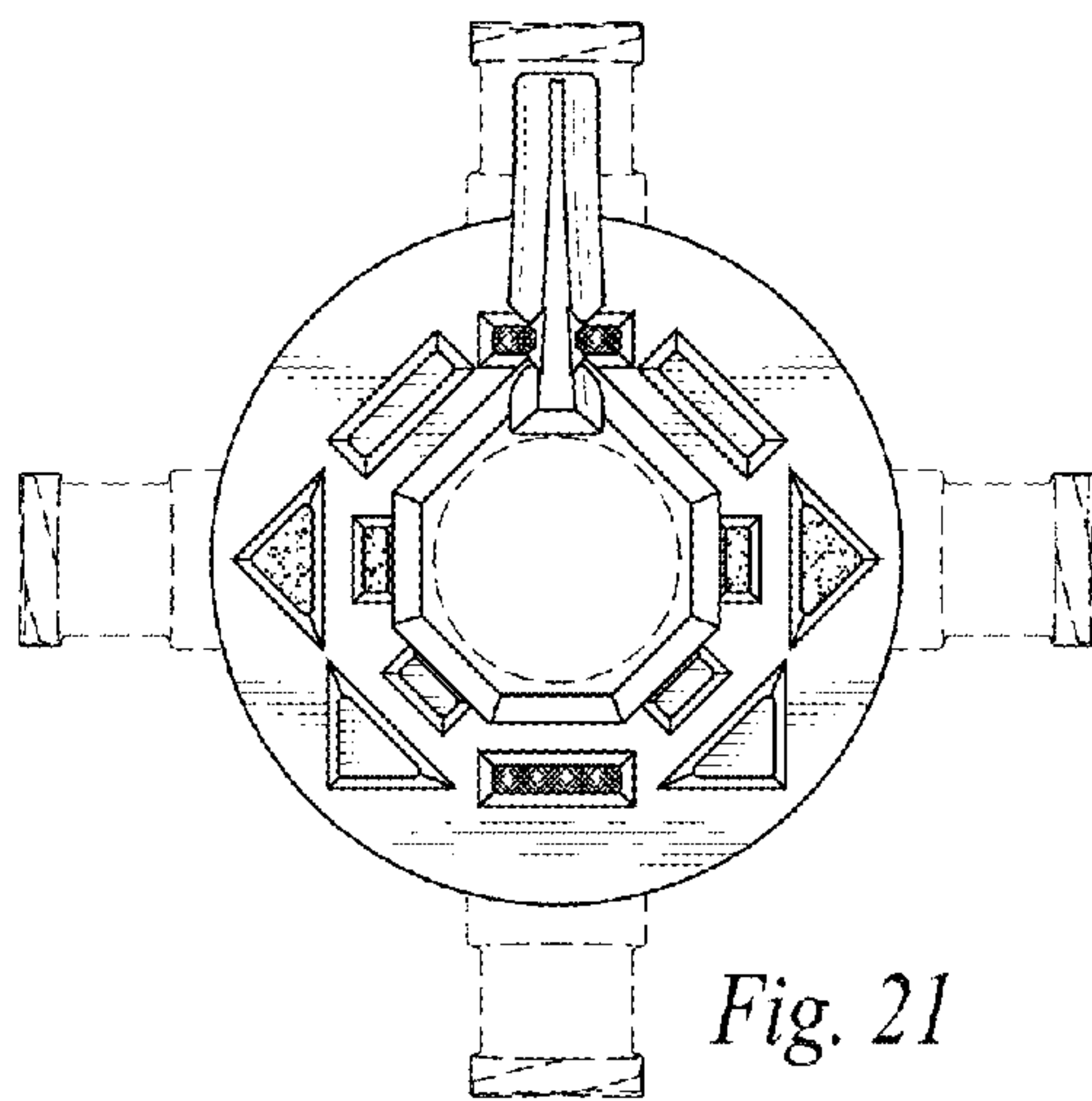
*Fig. 18*



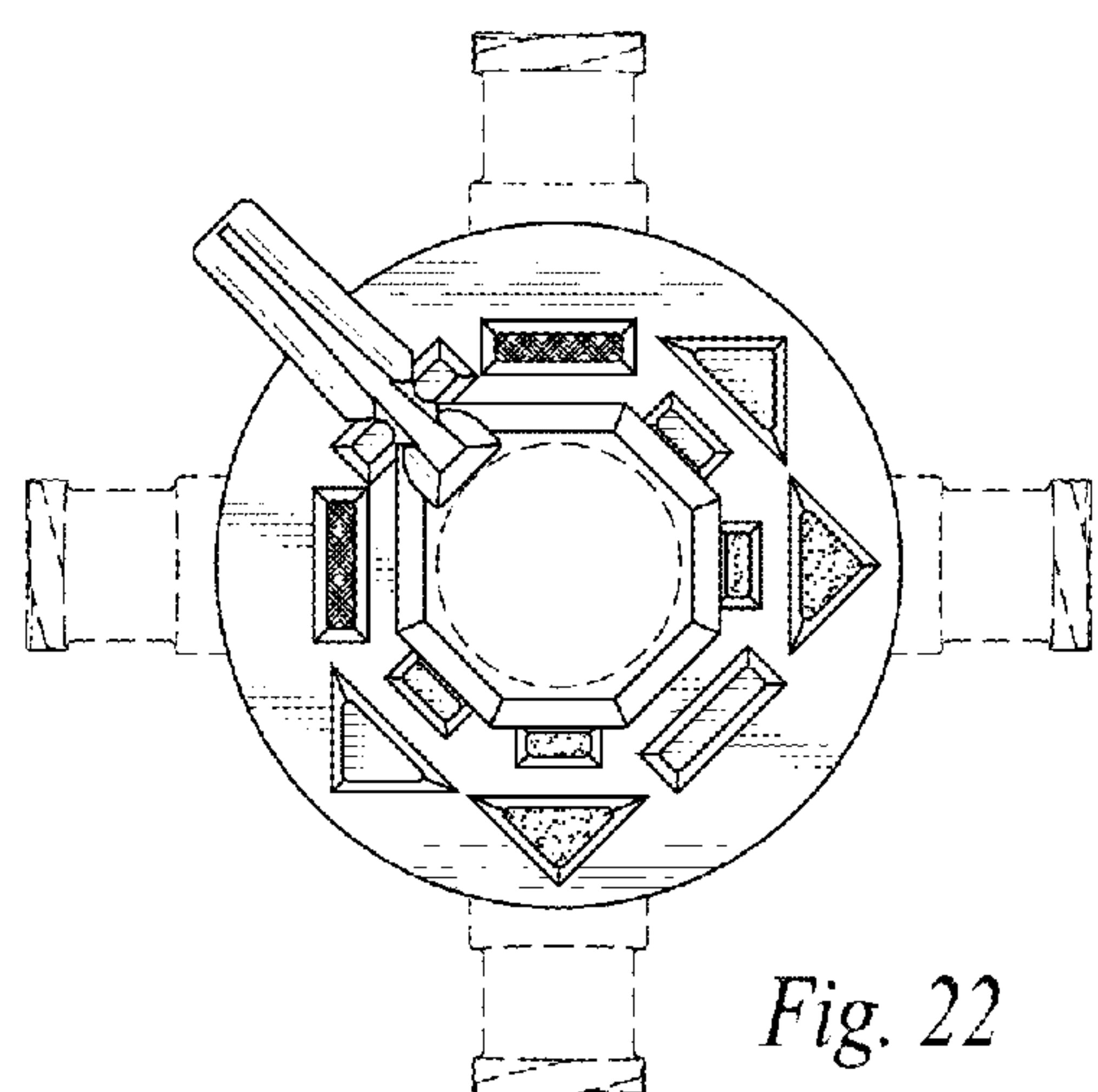
*Fig. 19*



*Fig. 20*



*Fig. 21*



*Fig. 22*



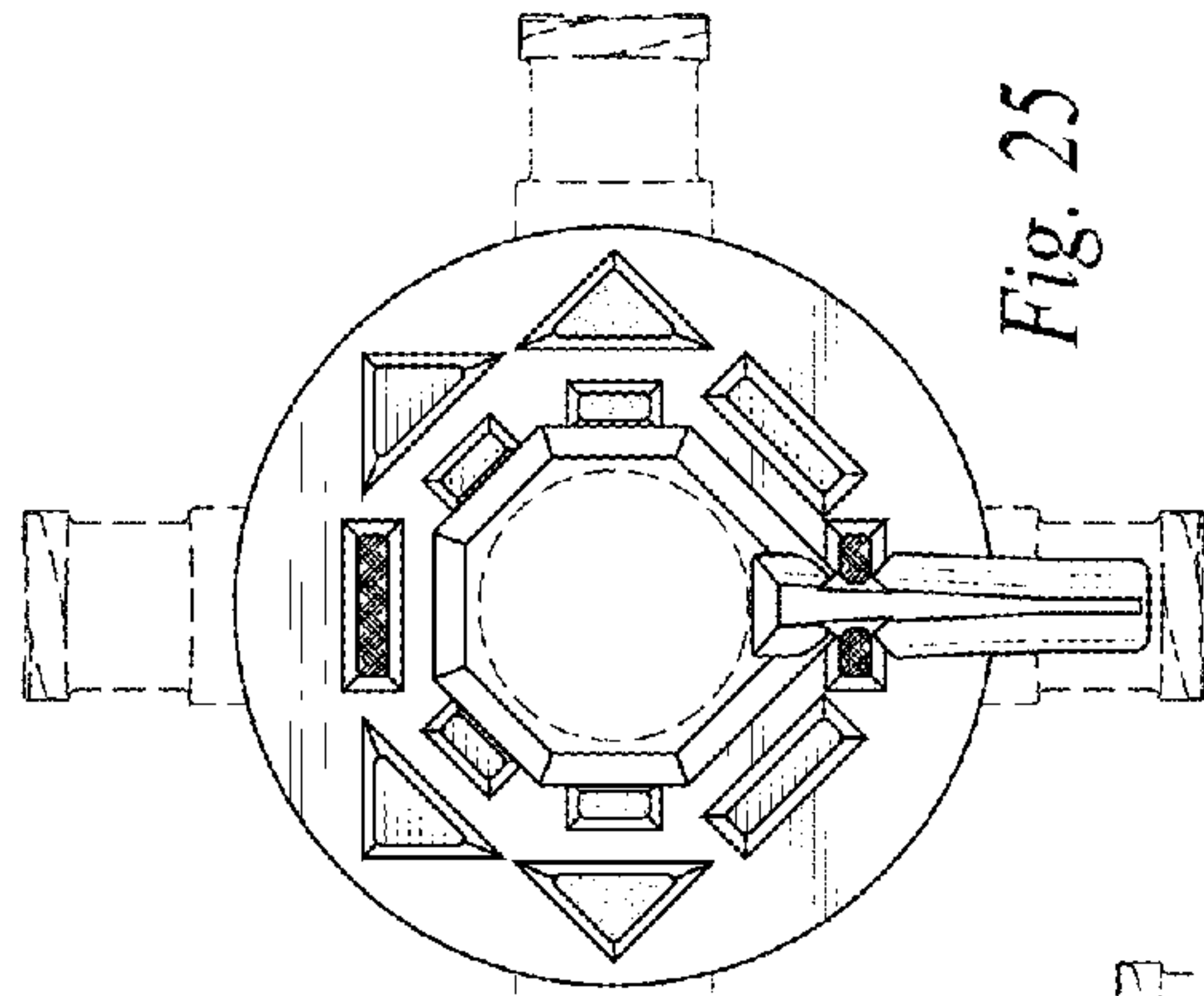


Fig. 23

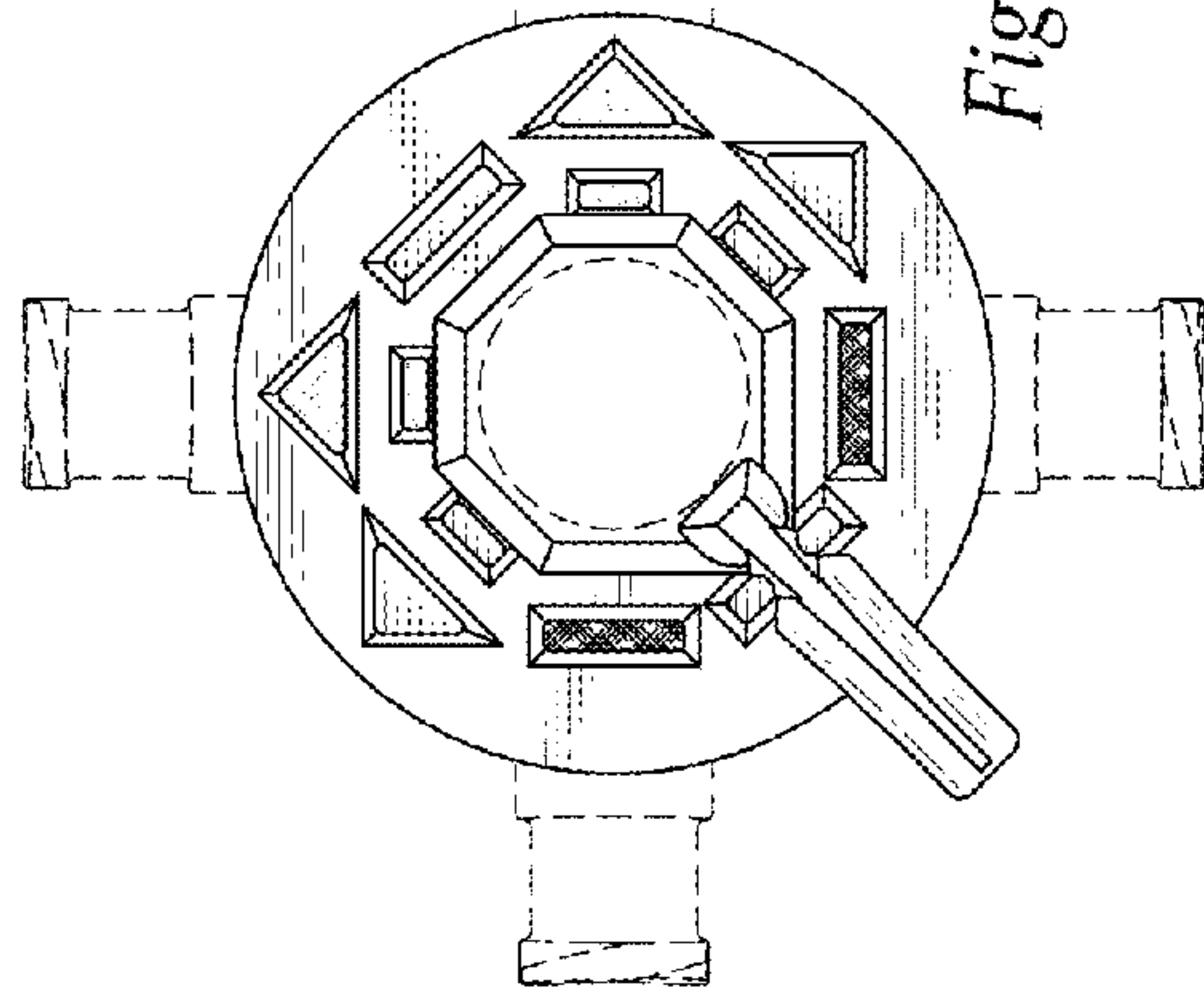


Fig. 24



Fig. 25

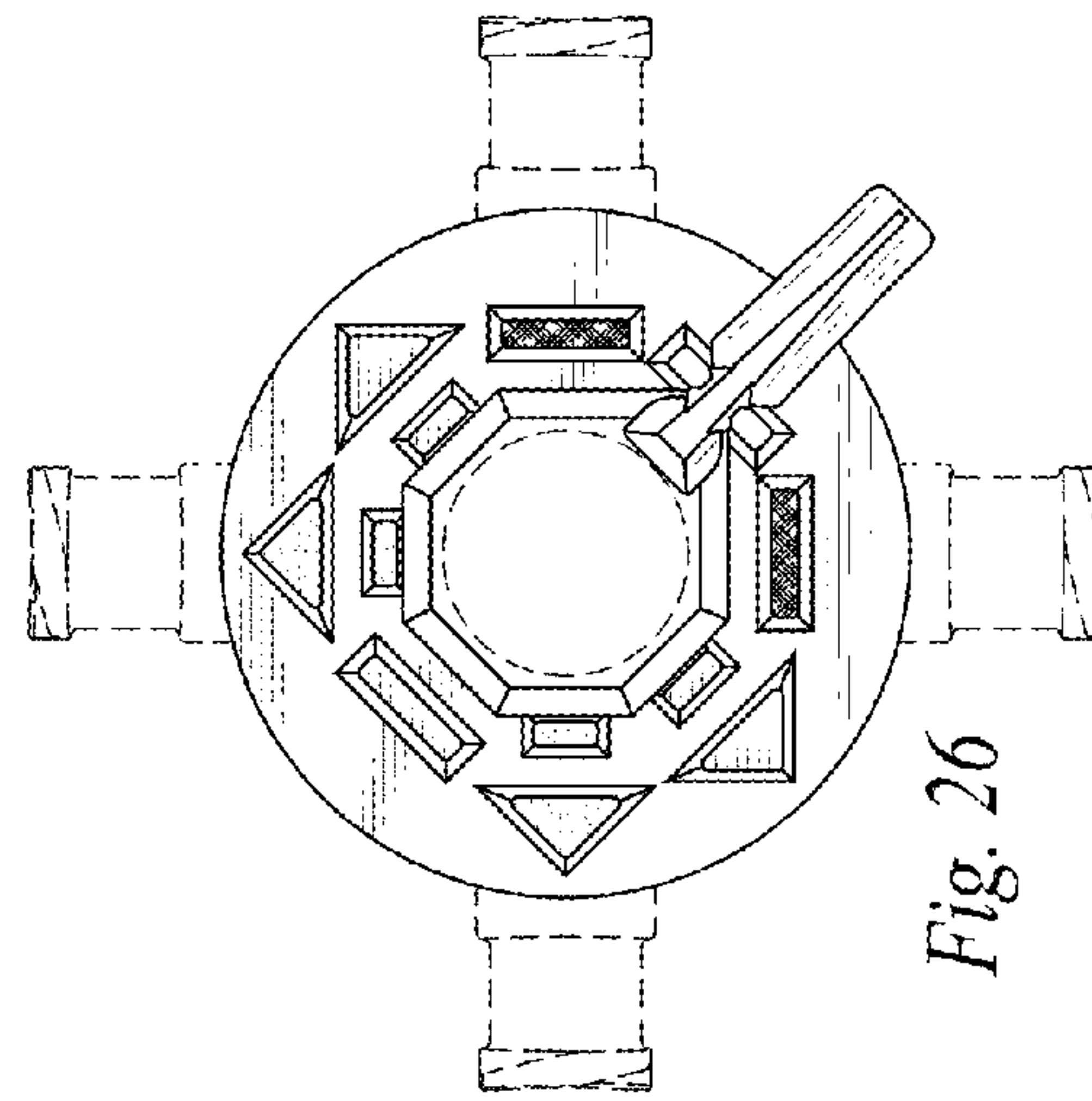


Fig. 26

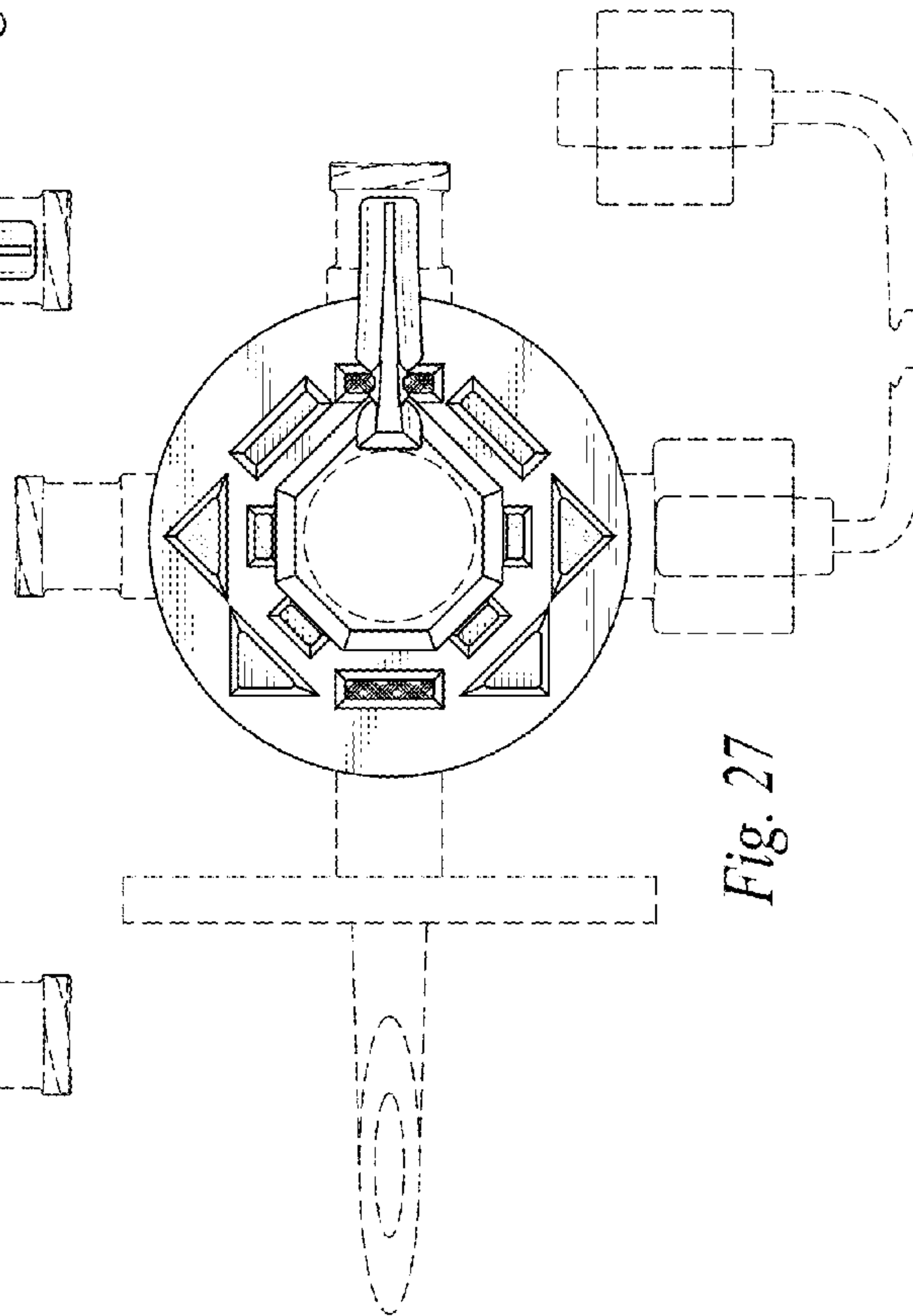


Fig. 27