



US00D728744S

(12) **United States Design Patent**
Nishiyama et al.

(10) **Patent No.:** **US D728,744 S**

(45) **Date of Patent:** **** May 5, 2015**

(54) **ELECTROMAGNETIC VALVE**

(71) Applicants: **Tatsuya Nishiyama**, Tsukubamirai (JP);
Koji Matsuda, Tsukubamirai (JP);
Shinji Miyazoe, Tsukubamirai (JP)

(72) Inventors: **Tatsuya Nishiyama**, Tsukubamirai (JP);
Koji Matsuda, Tsukubamirai (JP);
Shinji Miyazoe, Tsukubamirai (JP)

(73) Assignee: **SMC Corporation**, Chiyoda-ku, Tokyo
(JP)

(**) Term: **14 Years**

(21) Appl. No.: **29/476,586**

(22) Filed: **Dec. 16, 2013**

(30) **Foreign Application Priority Data**

Aug. 28, 2013 (JP) 2013-019795

(51) **LOC (10) Cl.** **23-01**

(52) **U.S. Cl.**
USPC **D23/233**

(58) **Field of Classification Search**
CPC F16K 31/0655; F16K 31/0675; F16K
31/0658; F16K 31/06; H01F 7/081
USPC D23/233-237, 244-249; 137/625.64,
137/85, 909; 123/406.69; 251/129.01,
251/129.11, 129.15, 149.8
See application file for complete search history.

(56) **References Cited**

U.S. PATENT DOCUMENTS

D415,256 S *	10/1999	Hayashi et al.	D23/233
D416,309 S *	11/1999	Hayashi et al.	D23/233
D416,980 S *	11/1999	Sato et al.	D23/233
D419,216 S *	1/2000	Sato et al.	D23/233
D443,030 S *	5/2001	Kaneko et al.	D23/233
D459,441 S *	6/2002	Hayashi et al.	D23/233
D460,148 S *	7/2002	Hayashi et al.	D23/233
D533,255 S *	12/2006	Miyazoe et al.	D23/233
D544,578 S *	6/2007	Matsumoto et al.	D23/233
D544,581 S *	6/2007	Matsumoto et al.	D23/233

D546,420 S *	7/2007	Matsumoto et al.	D23/233
7,316,244 B2 *	1/2008	Miyazoe et al.	137/625.64
D563,506 S *	3/2008	Kato et al.	D23/233
D563,508 S *	3/2008	Yoshimura et al.	D23/233
D563,509 S *	3/2008	Kato et al.	D23/233
D563,516 S *	3/2008	Mita et al.	D23/233
D563,517 S *	3/2008	Miyazoe et al.	D23/233
D563,518 S *	3/2008	Miyazoe et al.	D23/233
D563,519 S *	3/2008	Miyazoe et al.	D23/233
D563,520 S *	3/2008	Miyazoe et al.	D23/233

(Continued)

Primary Examiner — Cynthia Ramirez

(74) *Attorney, Agent, or Firm* — Yokoi & Co., U.S.A.;
Toshiyuki Yokoi

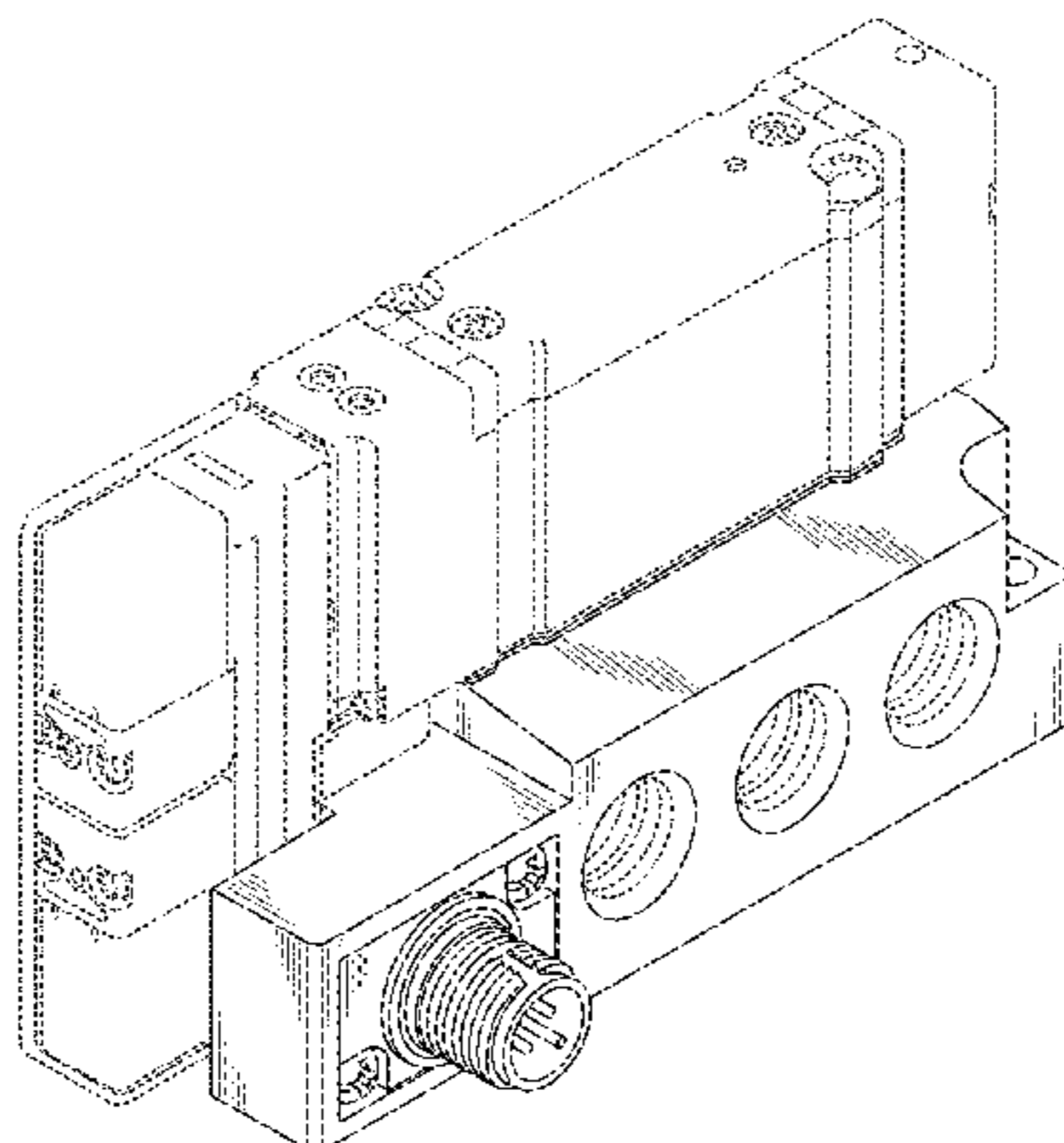
(57) **CLAIM**

The ornamental design for an electromagnetic valve, as shown and described.

DESCRIPTION

FIG. 1 shows a front view of an electromagnetic valve showing our new design;
 FIG. 2 shows a rear view thereof;
 FIG. 3 shows a right side view thereof;
 FIG. 4 shows a left side view thereof;
 FIG. 5 shows a top view thereof;
 FIG. 6 shows a bottom view thereof;
 FIG. 7 shows a top, front and left side perspective view thereof;
 FIG. 8 shows a bottom, rear and right side perspective view thereof;
 FIG. 9 shows a top, front and left side perspective view thereof in use with plugs and additional ports;
 FIG. 10 shows a bottom, rear and right side perspective view thereof in use with plugs and additional ports;
 FIG. 11 shows a top, front and left side perspective view thereof in use with plugs and additional ports; and,
 FIG. 12 shows a bottom, rear and right side perspective view thereof in use with plugs and additional ports.
 The portions of the design shown in broken lines in FIGS. 1-12 are for the purpose of illustrating the environment only and form no part of the claimed design.

1 Claim, 9 Drawing Sheets



(56)

References Cited

U.S. PATENT DOCUMENTS

D563,521 S *	3/2008	Miyazoe et al.	D23/233	D607,540 S *	1/2010	Matsumoto	D23/233
D563,522 S *	3/2008	Miyazoe et al.	D23/233	D621,477 S *	8/2010	Miyazoe et al.	D23/233
D563,523 S *	3/2008	Matsumoto et al.	D23/233	D621,911 S *	8/2010	Miyazoe et al.	D23/233
D564,072 S *	3/2008	Yoshimura et al.	D23/233	D623,270 S *	9/2010	Fukano et al.	D23/233
D564,627 S *	3/2008	Miyazoe et al.	D23/233	D636,460 S *	4/2011	Hayashi	D23/233
D564,628 S *	3/2008	Miyazoe et al.	D23/233	D639,393 S *	6/2011	Hayashi	D23/233
D564,629 S *	3/2008	Miyazoe et al.	D23/233	D653,307 S *	1/2012	Senba	D23/233
D564,630 S *	3/2008	Miyazoe et al.	D23/233	D653,308 S *	1/2012	Senba	D23/233
D564,631 S *	3/2008	Miyazoe et al.	D23/233	D665,874 S *	8/2012	Senba	D23/233
D572,344 S *	7/2008	Kato	D23/233	D668,321 S *	10/2012	Senba	D23/233
D574,466 S *	8/2008	Kato	D23/233	D693,431 S *	11/2013	Tamura et al.	D23/233
D584,797 S *	1/2009	Matsumoto et al.	D23/233	D694,363 S *	11/2013	Narita	D23/233
D591,829 S *	5/2009	Miyazoe et al.	D23/233	D694,364 S *	11/2013	Narita	D23/233
D594,929 S *	6/2009	Takakuwa et al.	D23/233	D694,365 S *	11/2013	Narita	D23/233
D594,930 S *	6/2009	Takakuwa et al.	D23/233	D694,858 S *	12/2013	Narita	D23/233
D599,887 S *	9/2009	Matsumoto	D23/233	D698,418 S *	1/2014	Narita	D23/233
D599,888 S *	9/2009	Matsumoto	D23/233	D698,419 S *	1/2014	Narita	D23/233
D607,539 S *	1/2010	Matsumoto	D23/233	D698,899 S *	2/2014	Narita	D23/233
					D698,900 S *	2/2014	Narita	D23/233
					D720,043 S *	12/2014	Nishiyama et al.	D23/233

* cited by examiner

FIG. 1

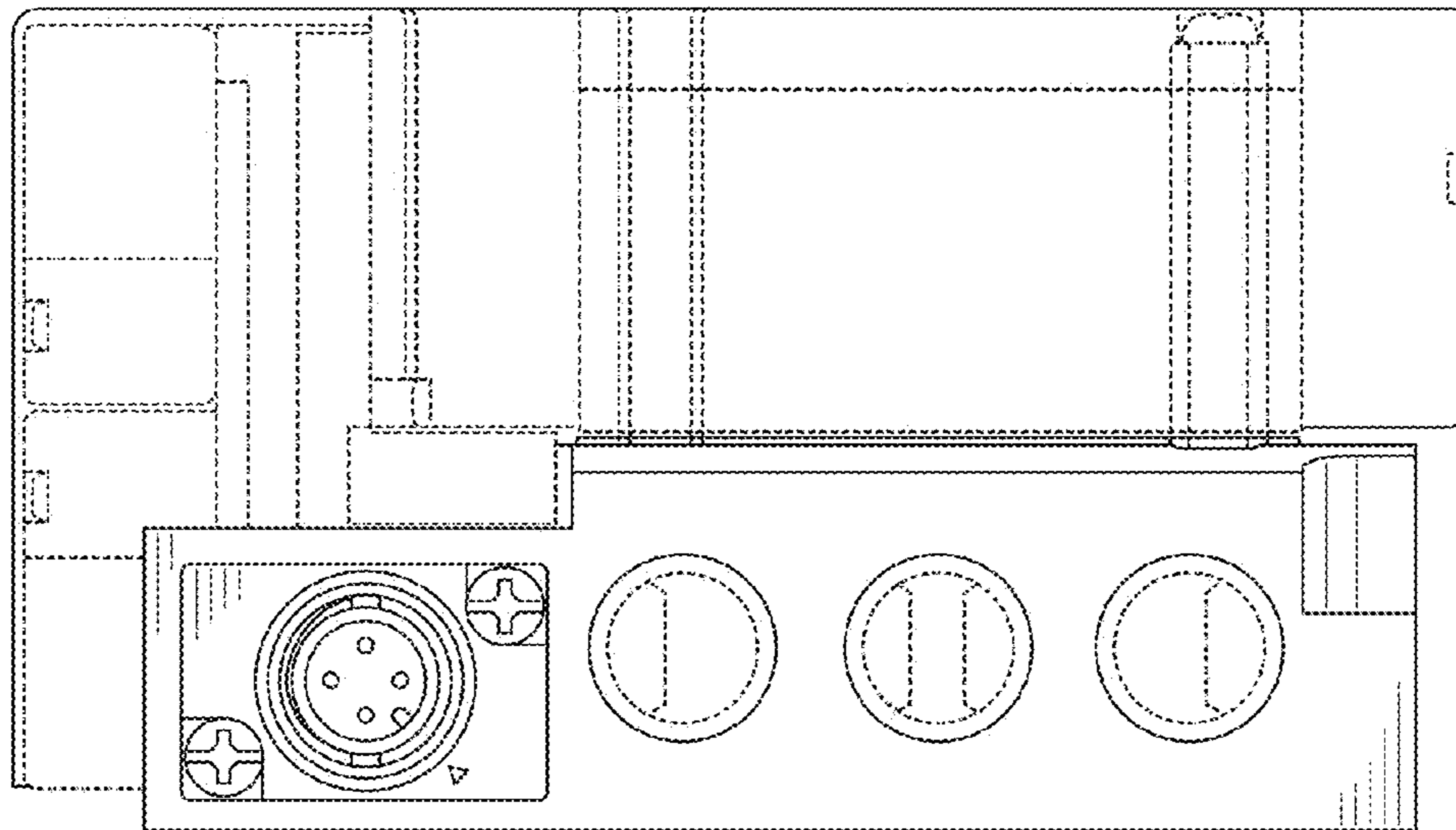


FIG. 2

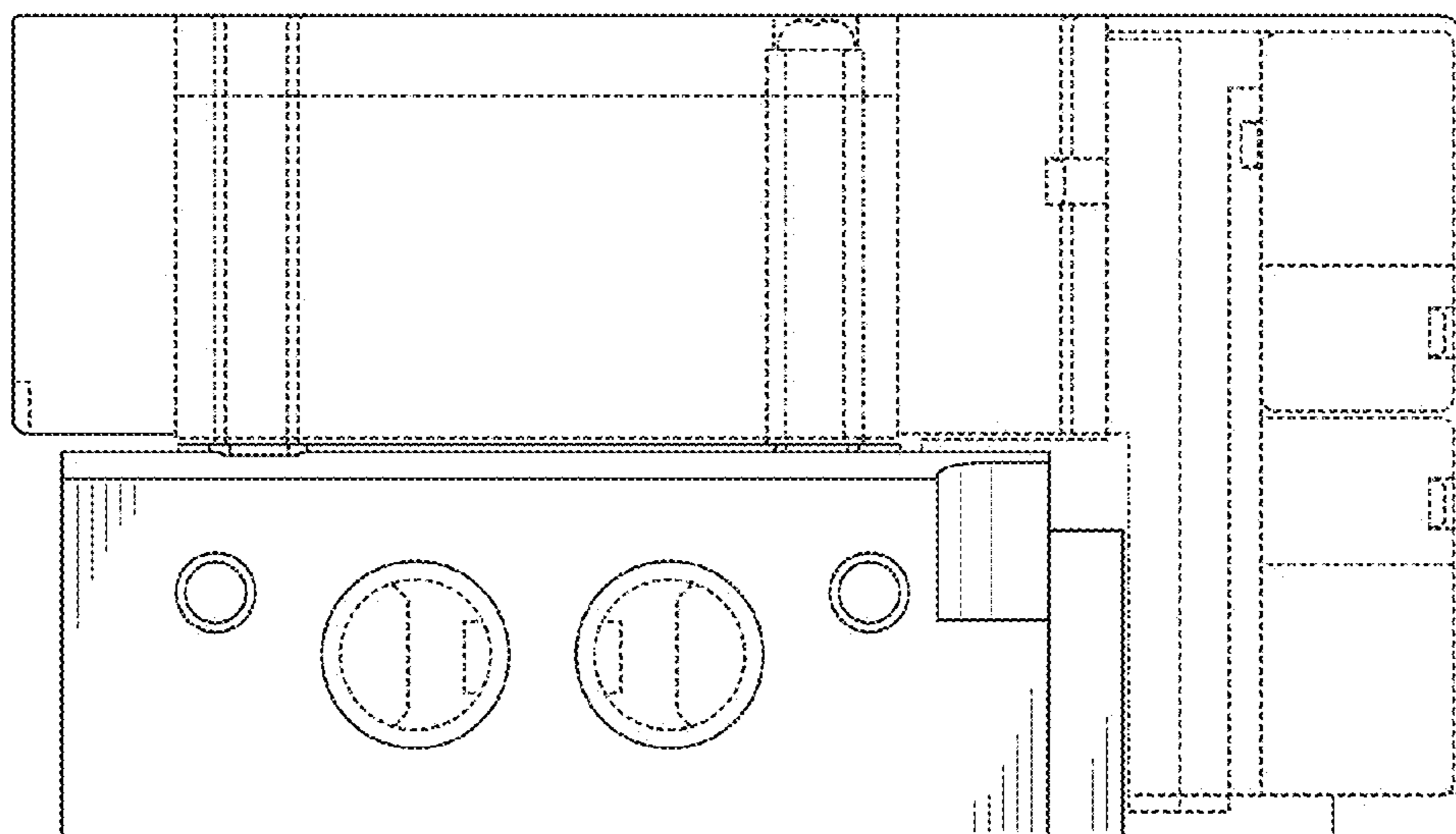


FIG. 3

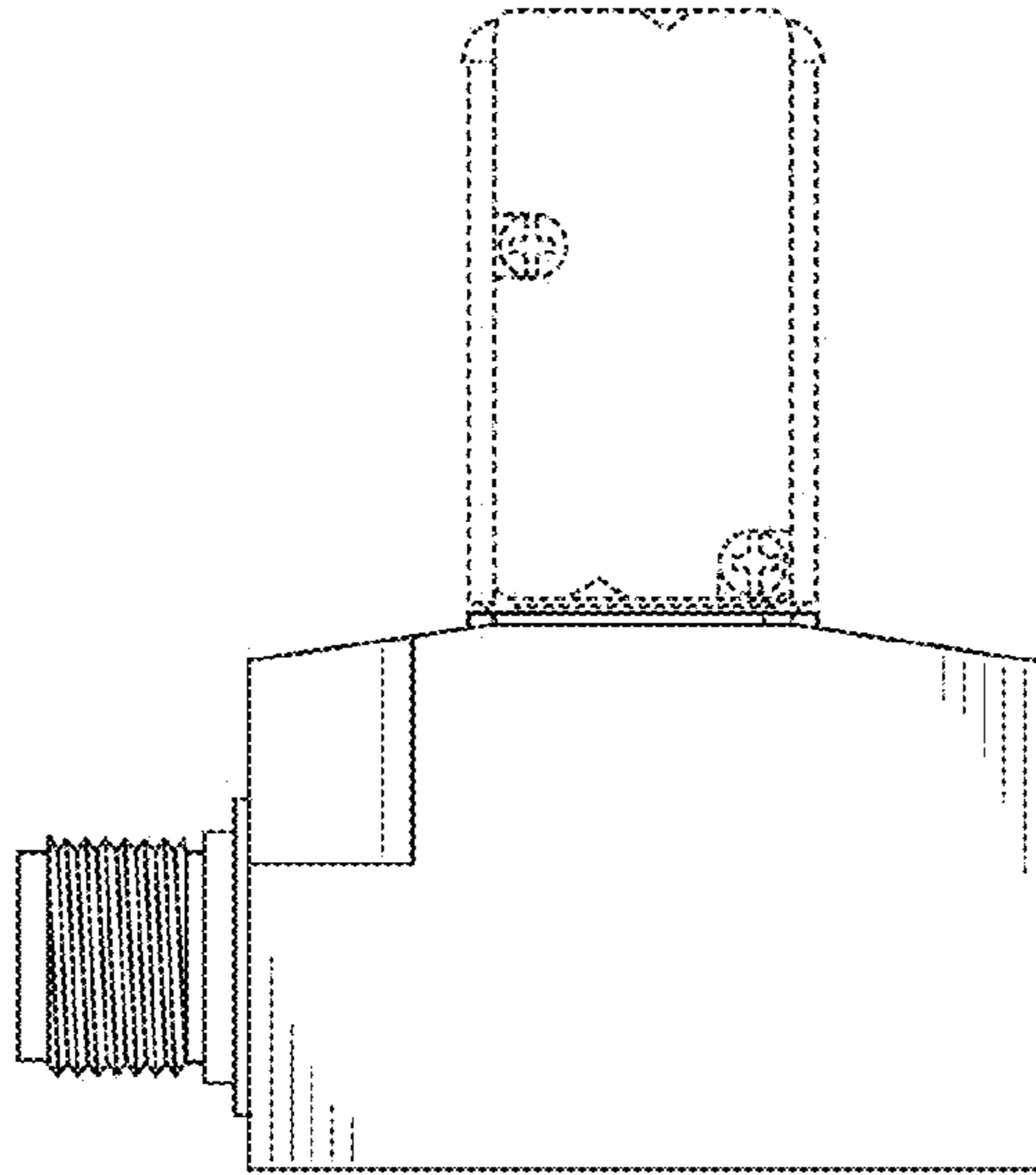


FIG. 4

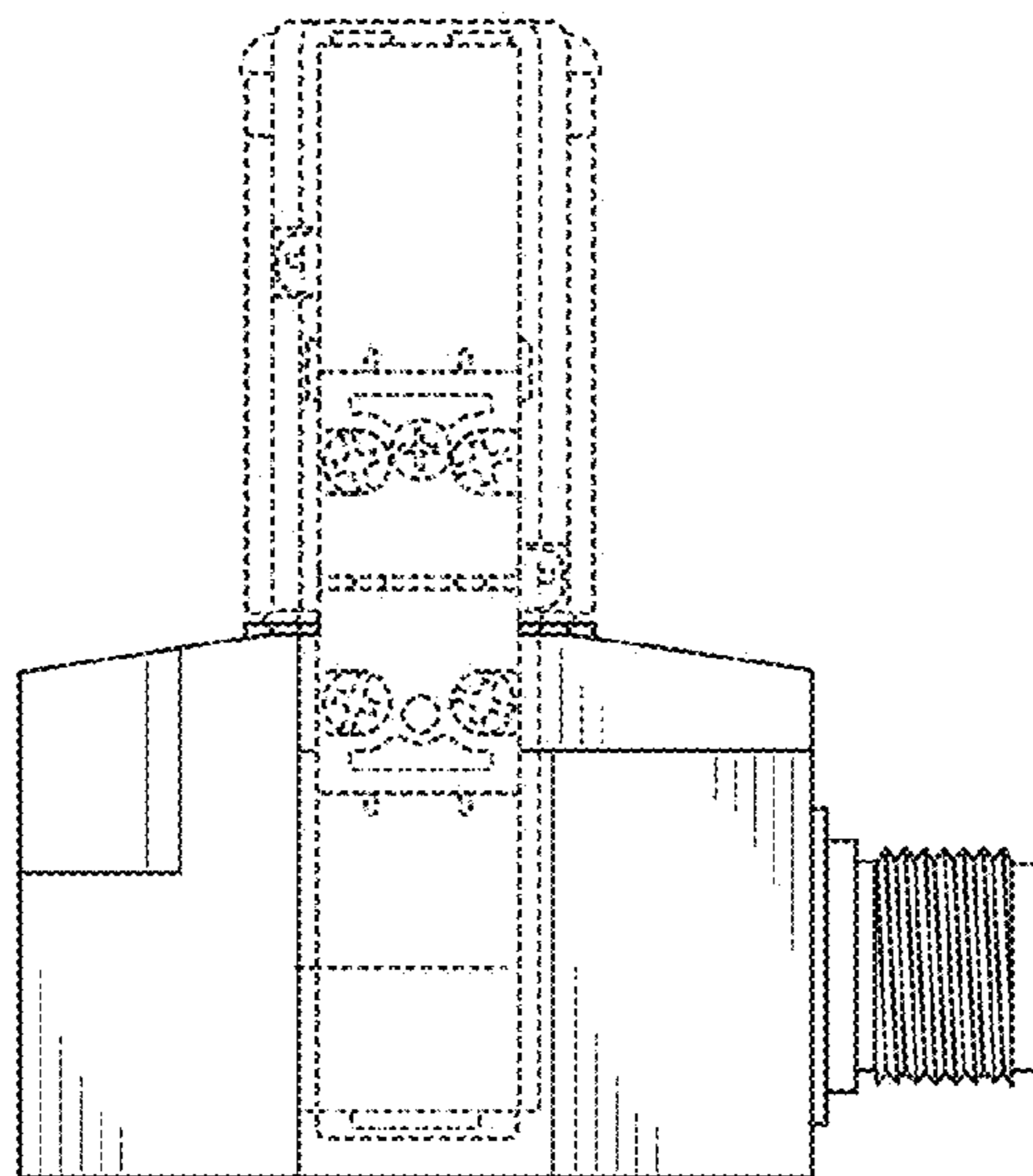


FIG. 5

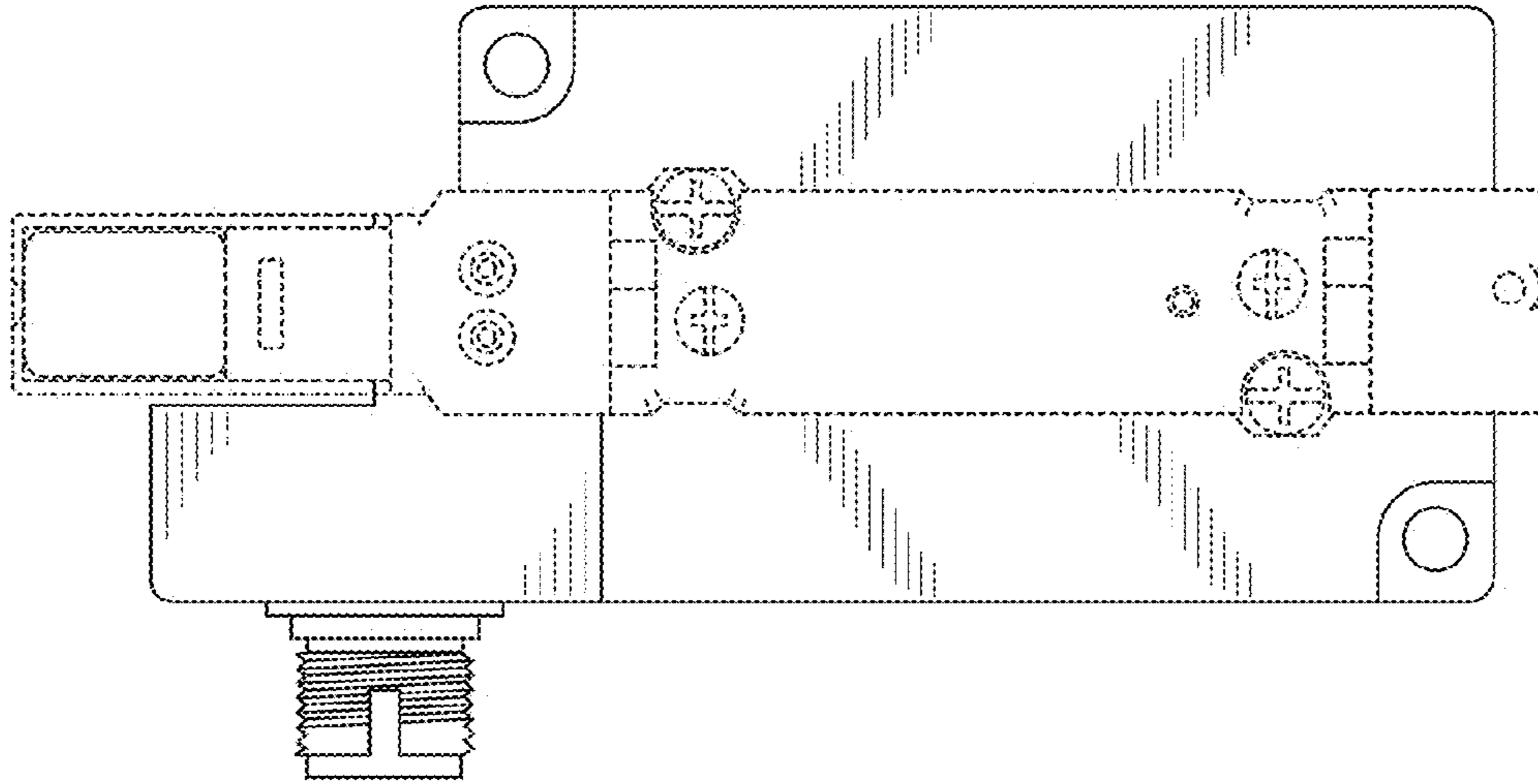


FIG. 6

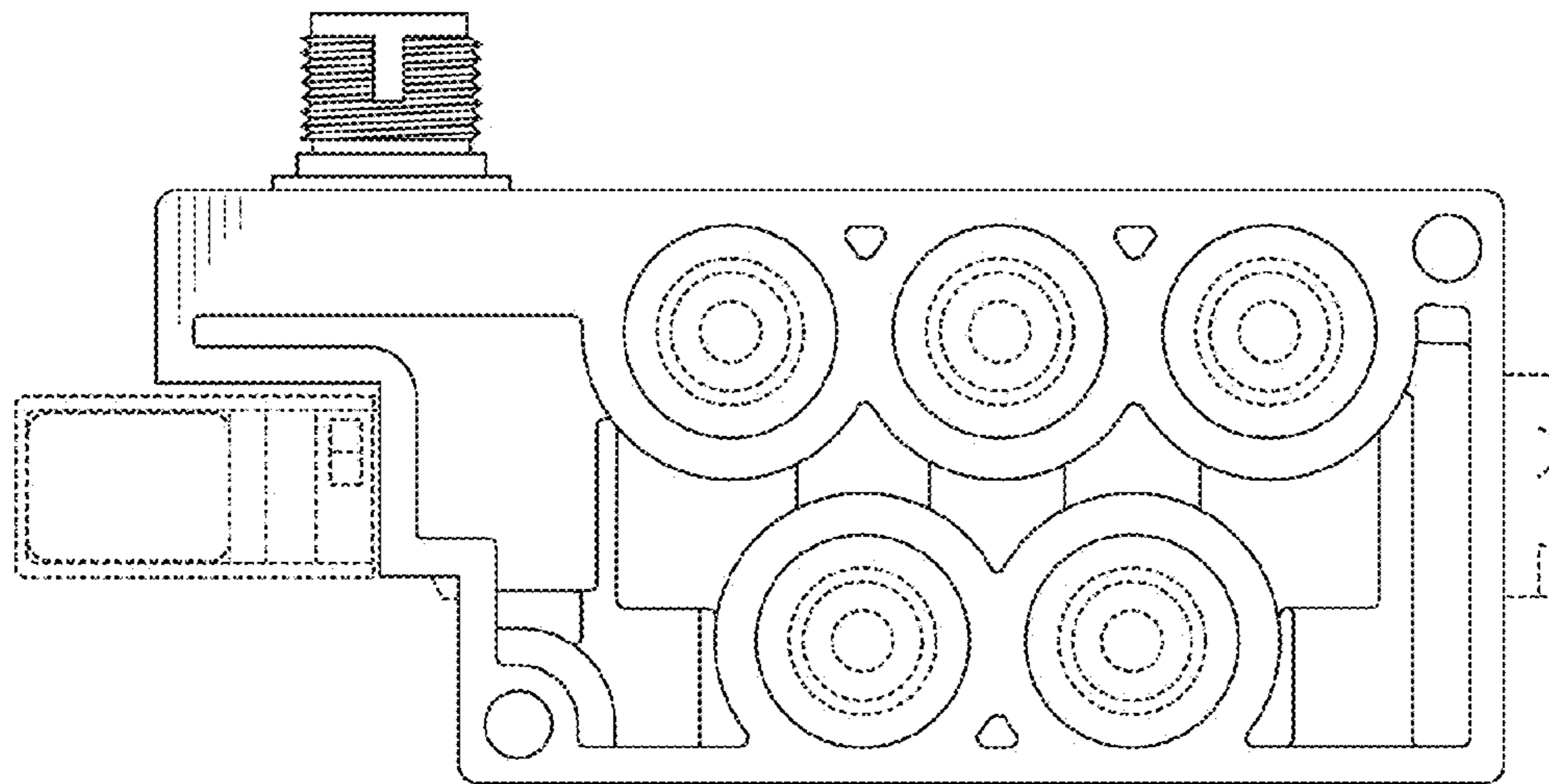


FIG. 7

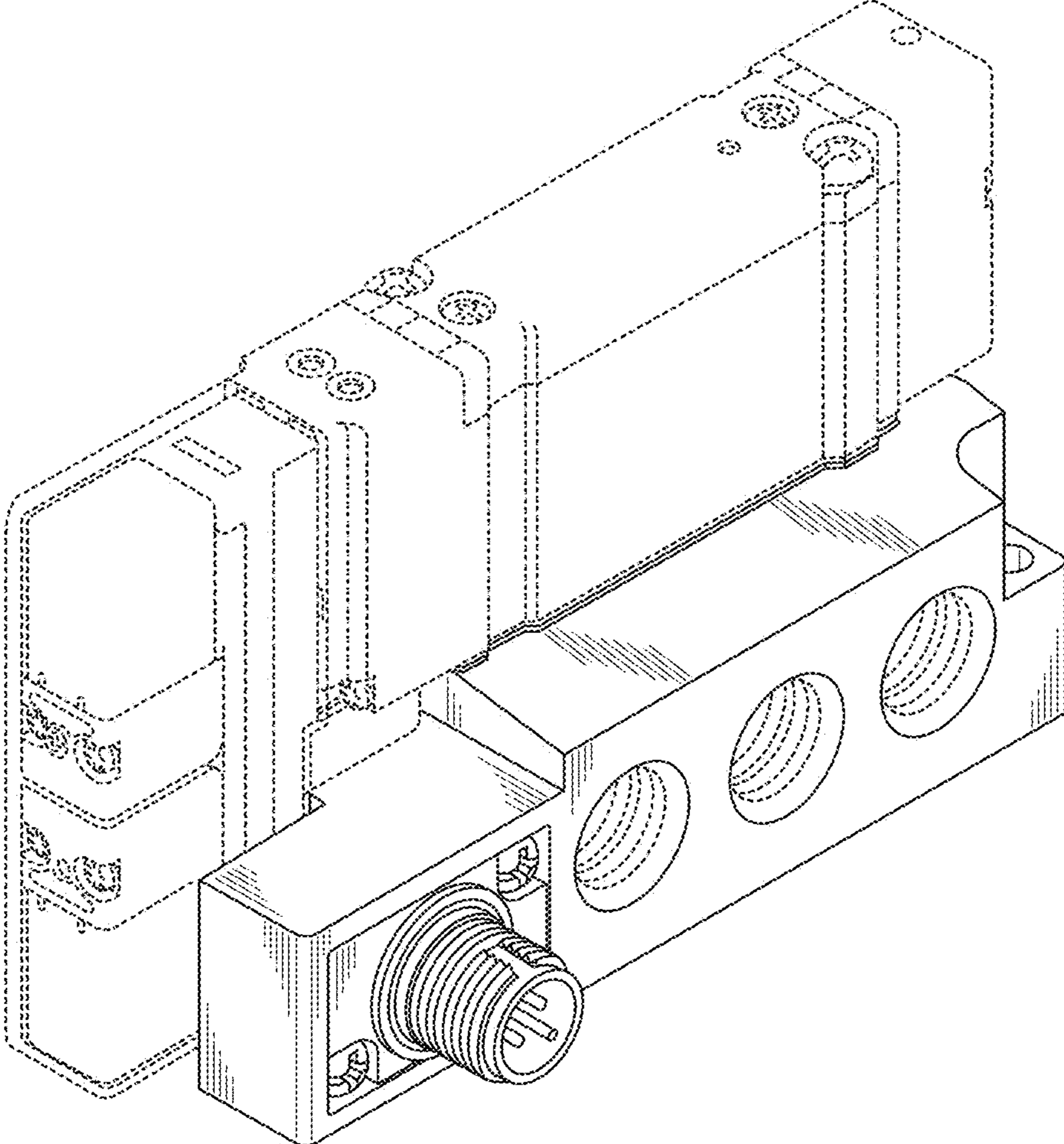


FIG. 8

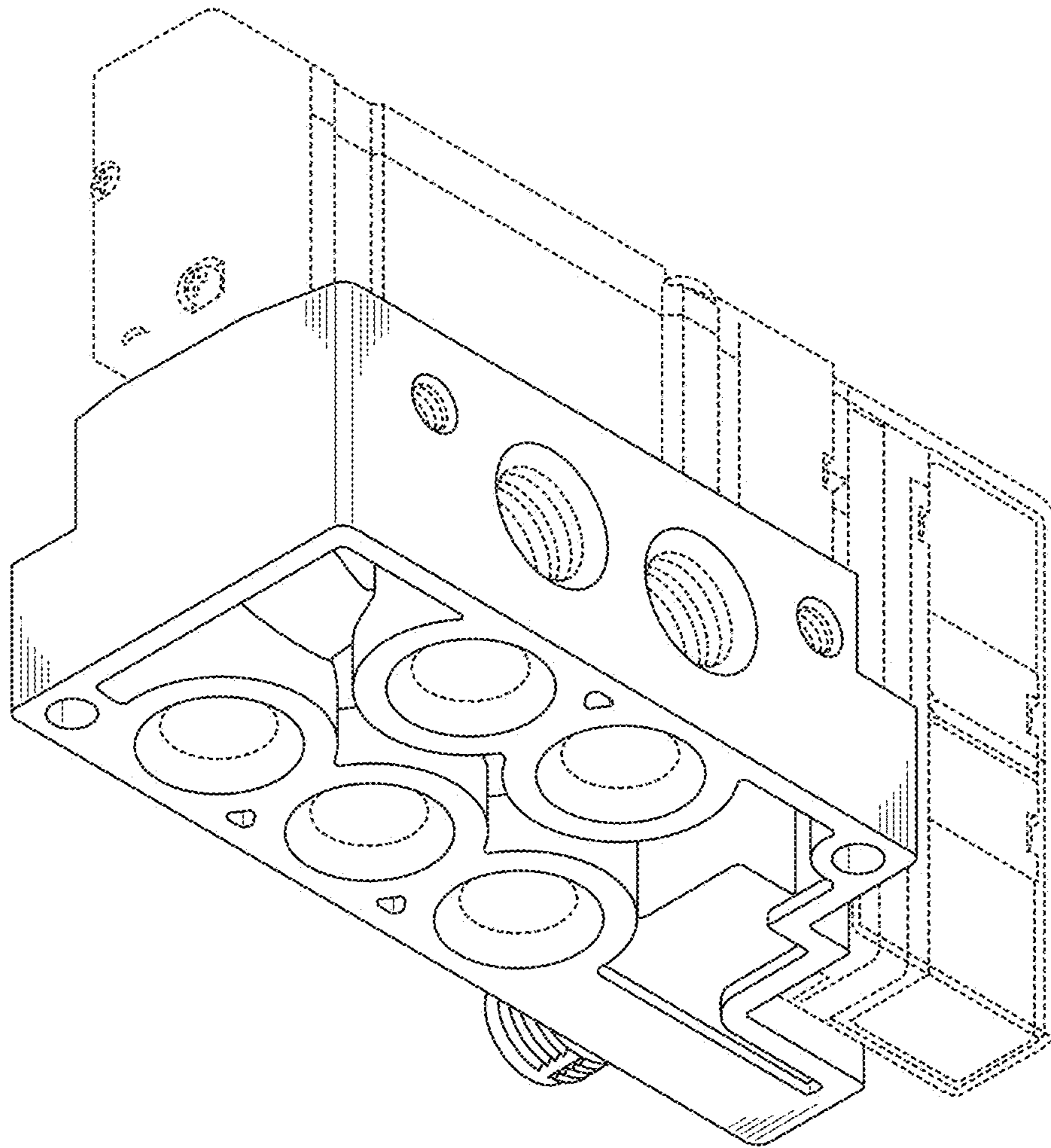


FIG. 9

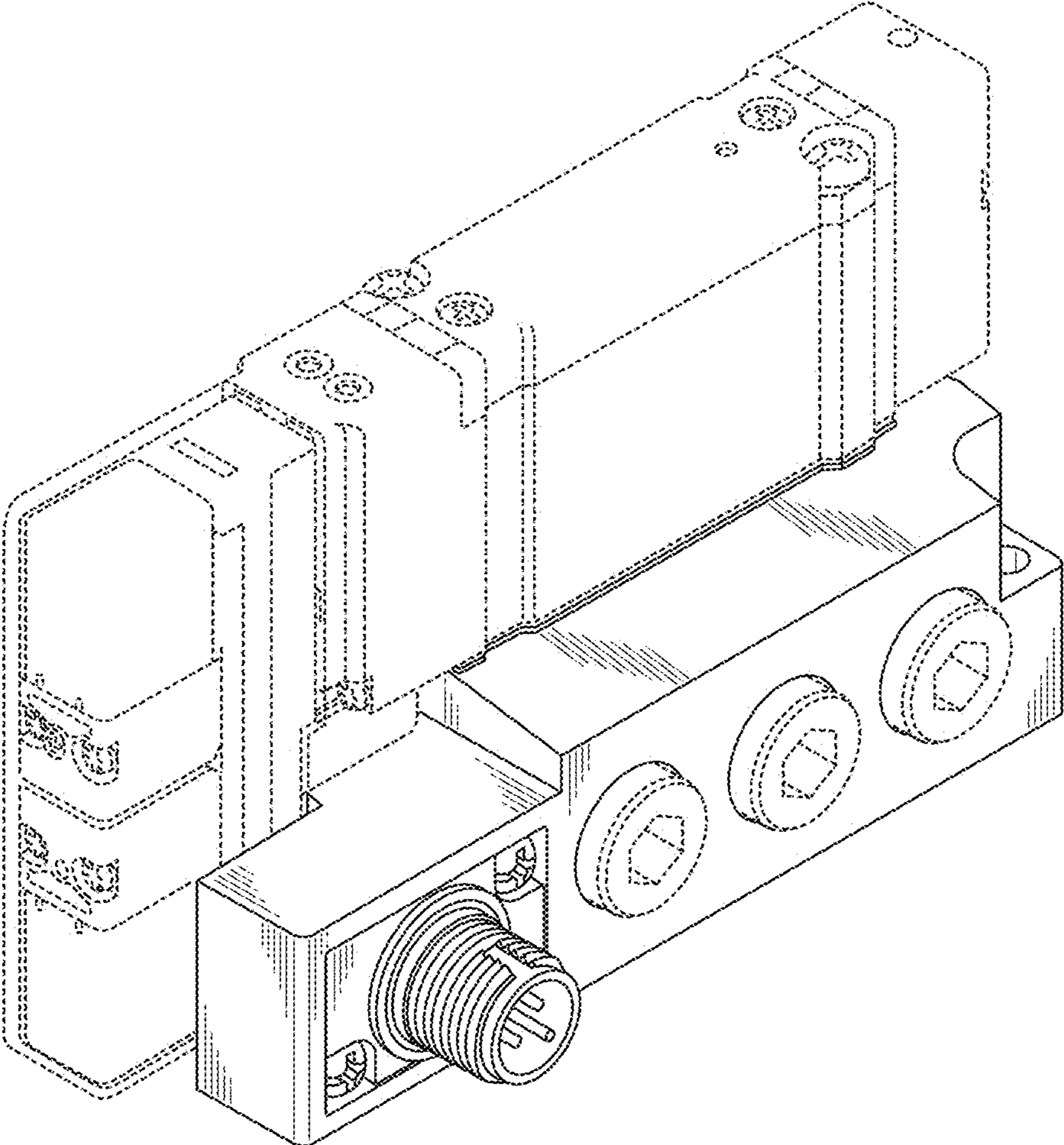


FIG. 10

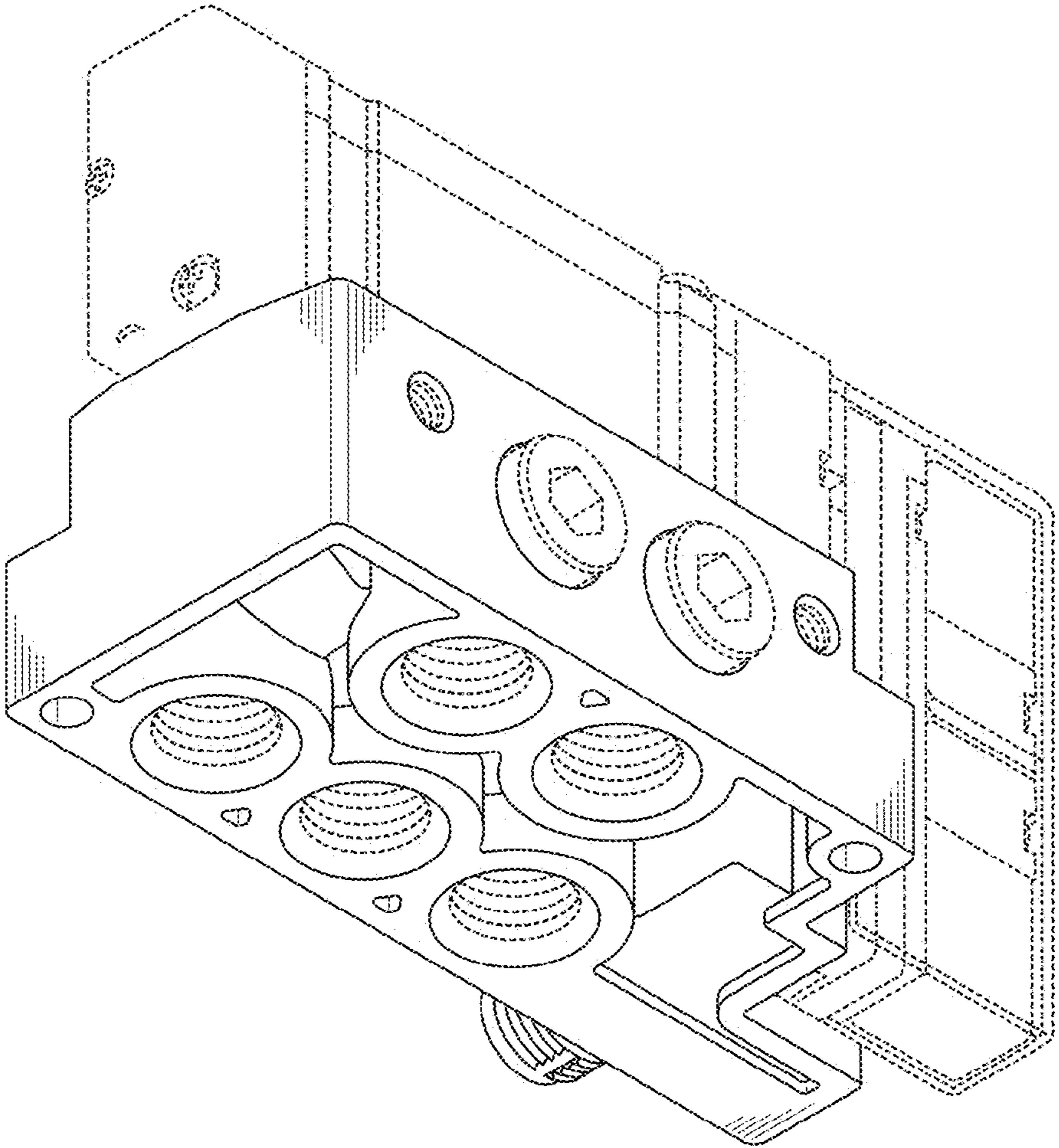


FIG. 11

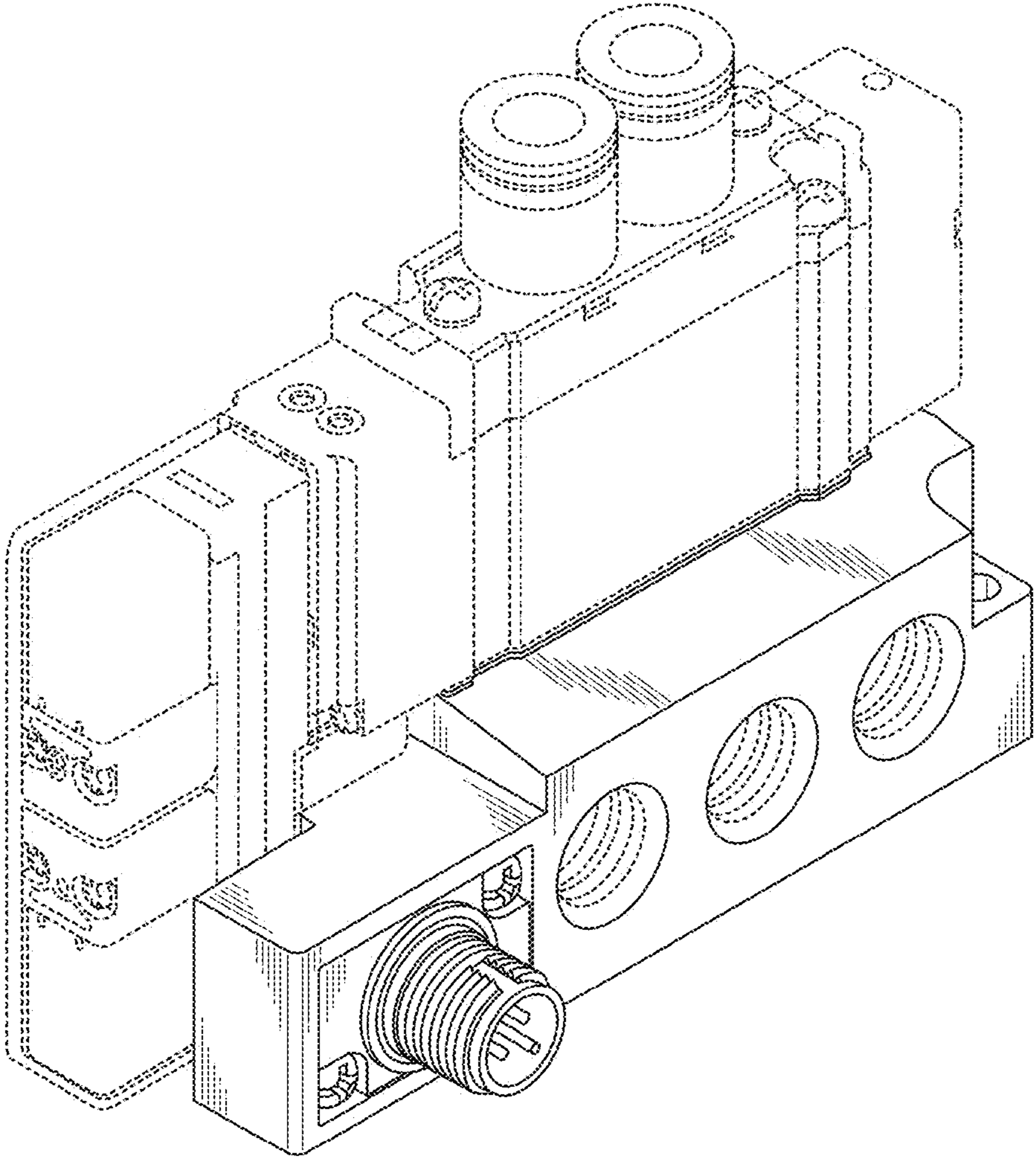


FIG. 12

