



US00D728743S

(12) **United States Design Patent**
Giles

(10) **Patent No.:** **US D728,743 S**

(45) **Date of Patent:** **** May 5, 2015**

(54) **COMBINED INFLATION AND DEFLATION VALVE**

(71) Applicant: **Leaffield Marine Limited**, Wiltshire (GB)

(72) Inventor: **Timothy Giles**, Wiltshire (GB)

(73) Assignee: **Leaffield Marine Limited** (GB)

(**) Term: **14 Years**

(21) Appl. No.: **29/461,983**

(22) Filed: **Jul. 30, 2013**

(30) **Foreign Application Priority Data**

Apr. 26, 2013 (EM) 002228445-0001

(51) **LOC (10) Cl.** **23-01**

(52) **U.S. Cl.**
USPC **D23/233**

(58) **Field of Classification Search**
CPC F16K 1/00; F16K 15/00; F16K 25/00;
F16K 2099/00; B60C 1/00; B60C 2001/00;
B60C 2200/00
USPC D23/231, 233-237, 245, 247; 4/392,
4/393; 137/218, 434, 800, 232, 443, 223;
114/345, 197; 441/41

See application file for complete search history.

(56) **References Cited**

U.S. PATENT DOCUMENTS

1,866,643 A * 7/1932 Greear 114/197
3,584,671 A * 6/1971 Kampa 152/429
3,939,995 A * 2/1976 Baxter 410/119
D248,404 S * 7/1978 Henry D23/236
D259,507 S * 6/1981 MacInnes et al. D23/235
D282,393 S * 1/1986 Johnson D23/235
D309,938 S * 8/1990 Schoepe et al. D23/236
5,203,831 A * 4/1993 Lind et al. 137/1

5,306,187 A * 4/1994 Mackal 441/41
D347,263 S * 5/1994 Phillips D23/231
D357,974 S * 5/1995 Phillips et al. D23/231
D379,845 S * 6/1997 Lee D23/235
5,881,783 A * 3/1999 Chou 141/351
D422,058 S * 3/2000 Meredith D23/233
6,138,711 A * 10/2000 Lung-Po 137/527.8
6,164,314 A * 12/2000 Saputo et al. 137/232
6,237,621 B1 * 5/2001 Chaffee 137/223
6,508,264 B2 * 1/2003 Chaffee 137/223
6,601,731 B2 * 8/2003 Wu 222/5
6,648,004 B2 * 11/2003 Lau 137/223
6,755,208 B2 * 6/2004 Chaffee 137/223
6,874,524 B2 * 4/2005 Wu 137/223
6,986,360 B2 * 1/2006 Chaffee 137/223

(Continued)

FOREIGN PATENT DOCUMENTS

GB 2074385 5/1998
IT 77940 10/1998

Primary Examiner — Cynthia Ramirez

Assistant Examiner — Gino Colan

(74) *Attorney, Agent, or Firm* — Gardner Groff Greenwald & Villanueva, PC

(57) **CLAIM**

The ornamental design for a combined inflation and deflation valve, as shown and described.

DESCRIPTION

FIG. 1 is a top view of the combined inflation and deflation valve of the present design;

FIG. 2 is a top view thereof shown with the cap separated;

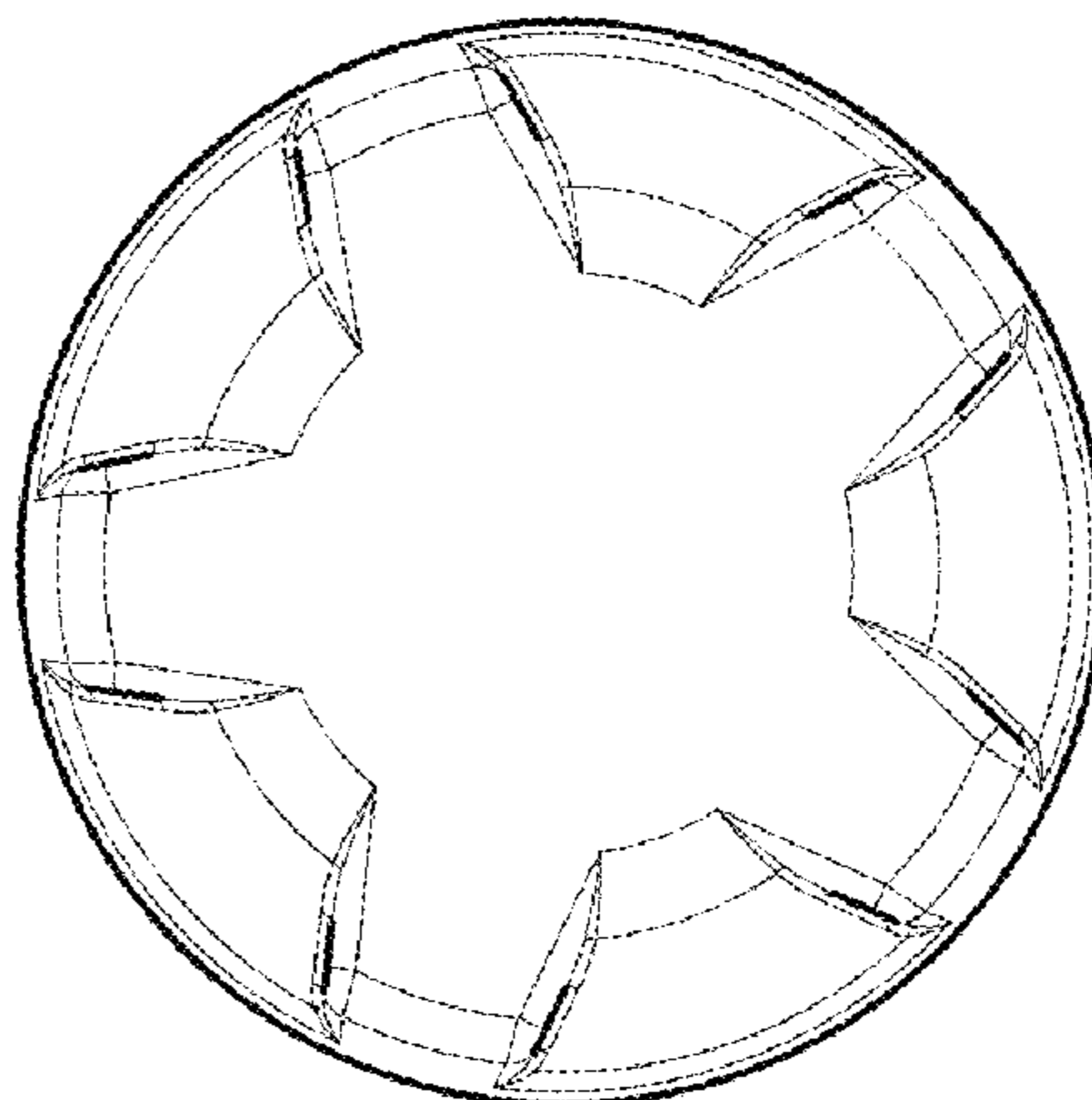
FIG. 3 is a side view thereof;

FIG. 4 is another side view thereof shown with the cap separated; and,

FIG. 5 is a bottom view thereof.

The broken lines shown in the figures are included for the purpose of illustrating elements of the combined inflation and deflation valve and form no part of the claimed design.

1 Claim, 1 Drawing Sheet



(56)

References Cited

U.S. PATENT DOCUMENTS

6,990,994 B2 *	1/2006	Reeb et al.	137/223	8,307,841 B2 *	11/2012	Chaffee	137/223
7,066,442 B2 *	6/2006	Rose	251/149.8	D682,394 S *	5/2013	Sprouse	D23/231
7,146,923 B2 *	12/2006	Polley et al.	114/345	8,667,982 B2 *	3/2014	Song et al.	137/232
7,275,494 B2 *	10/2007	Polley et al.	114/345	D711,510 S *	8/2014	Halldorsson	D23/233
7,401,619 B2 *	7/2008	Song et al.	137/223	2005/0218367 A1 *	10/2005	Shinner	251/322
7,438,081 B1 *	10/2008	Chen	137/226	2006/0272707 A1 *	12/2006	Wu	137/223
7,497,416 B2 *	3/2009	Wang	251/349	2009/0139582 A1 *	6/2009	Franta et al.	137/232
D599,434 S *	9/2009	Stenberg	D23/233	2010/0154897 A1 *	6/2010	Wu	137/223
7,938,138 B2 *	5/2011	Chaffee	137/223	2011/0265900 A1 *	11/2011	Tsai	137/857
8,011,117 B2 *	9/2011	Acheson et al.	36/29	2012/0048392 A1 *	3/2012	Song et al.	137/224
8,181,664 B2 *	5/2012	Tsai	137/223	2013/0186481 A1 *	7/2013	Chaffee	137/234
				2014/0137790 A1 *	5/2014	Noca et al.	114/345
				2014/0245943 A1 *	9/2014	Swan	114/345

* cited by examiner

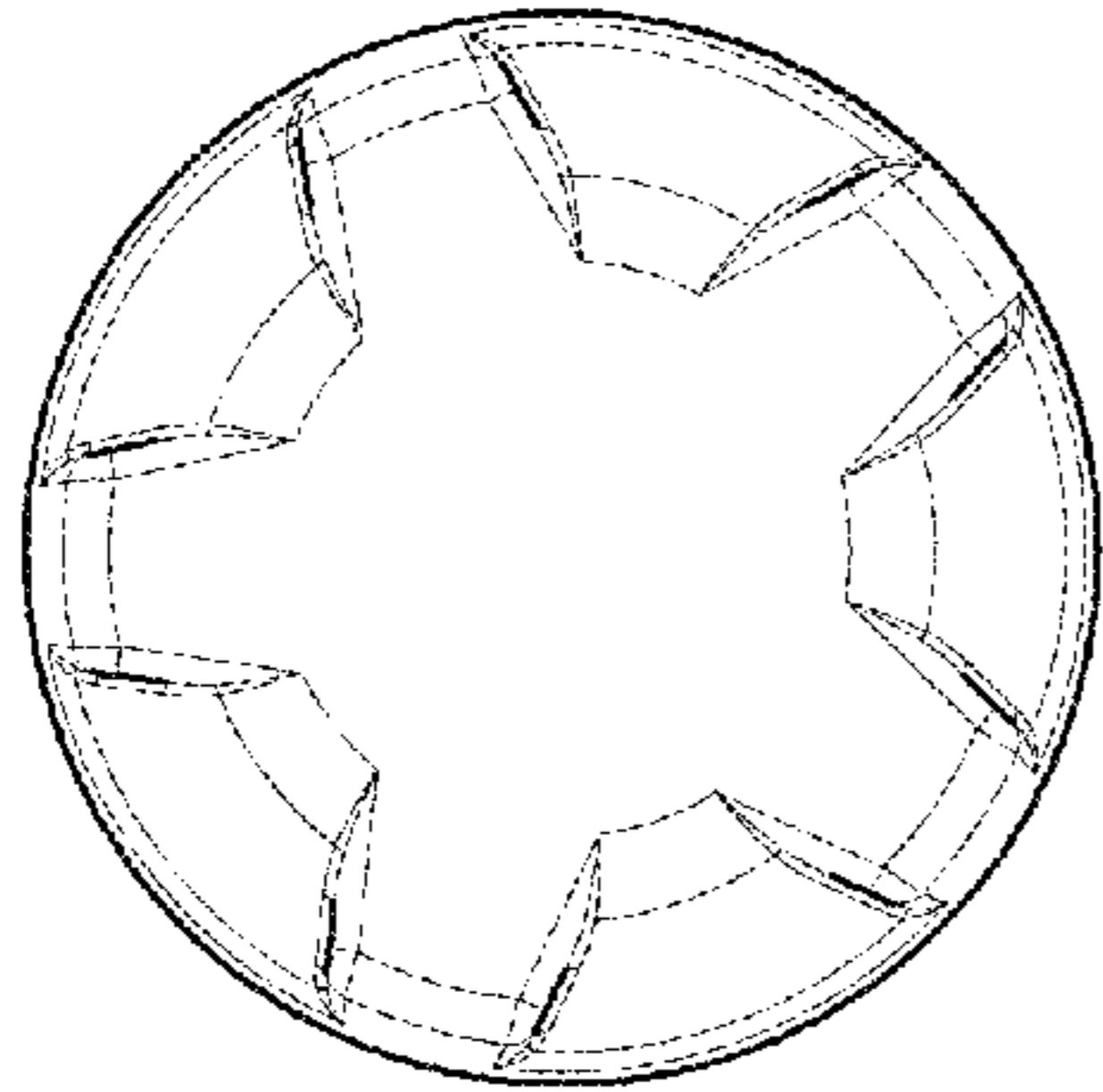


Fig. 1

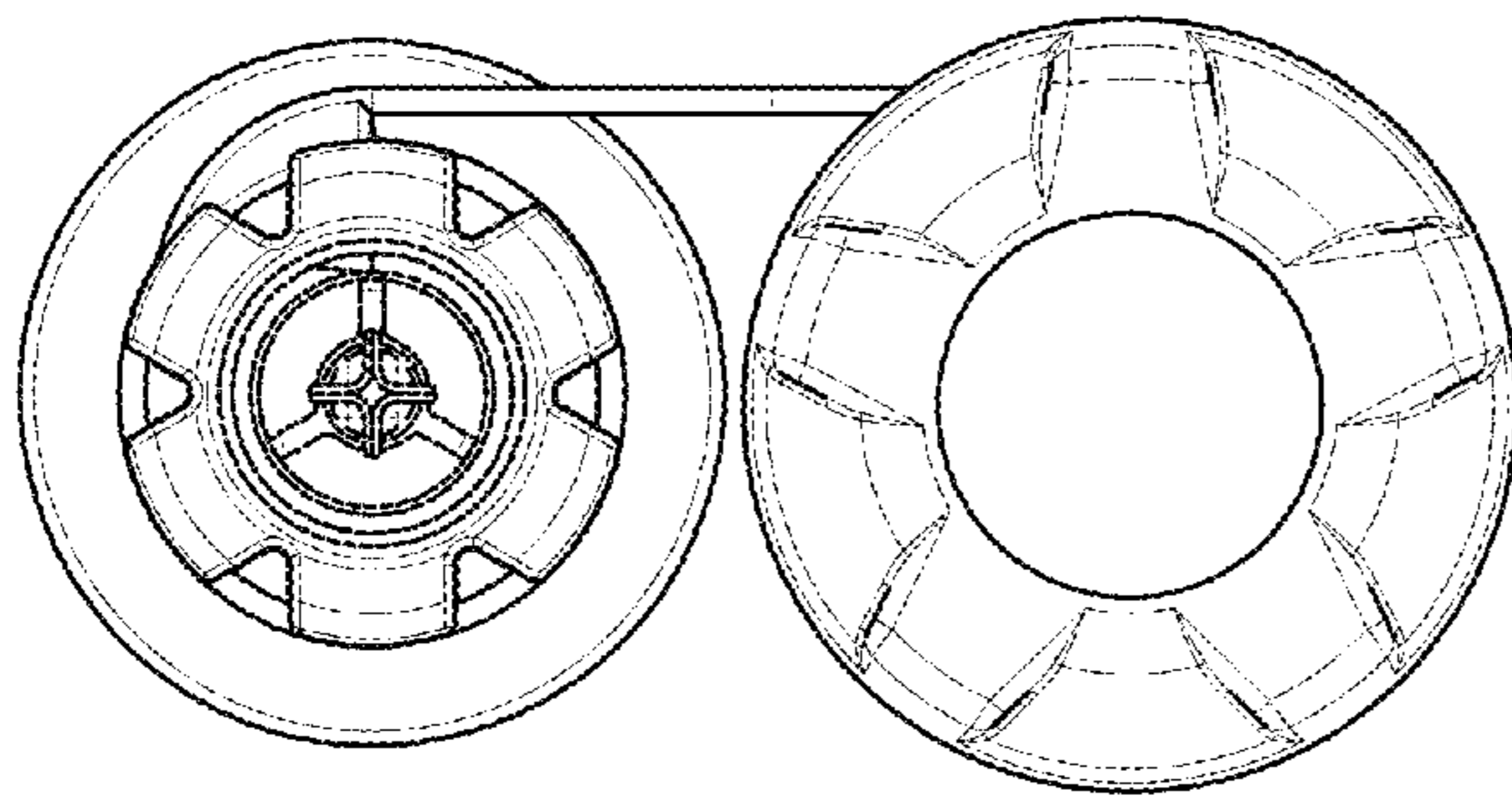


Fig. 2

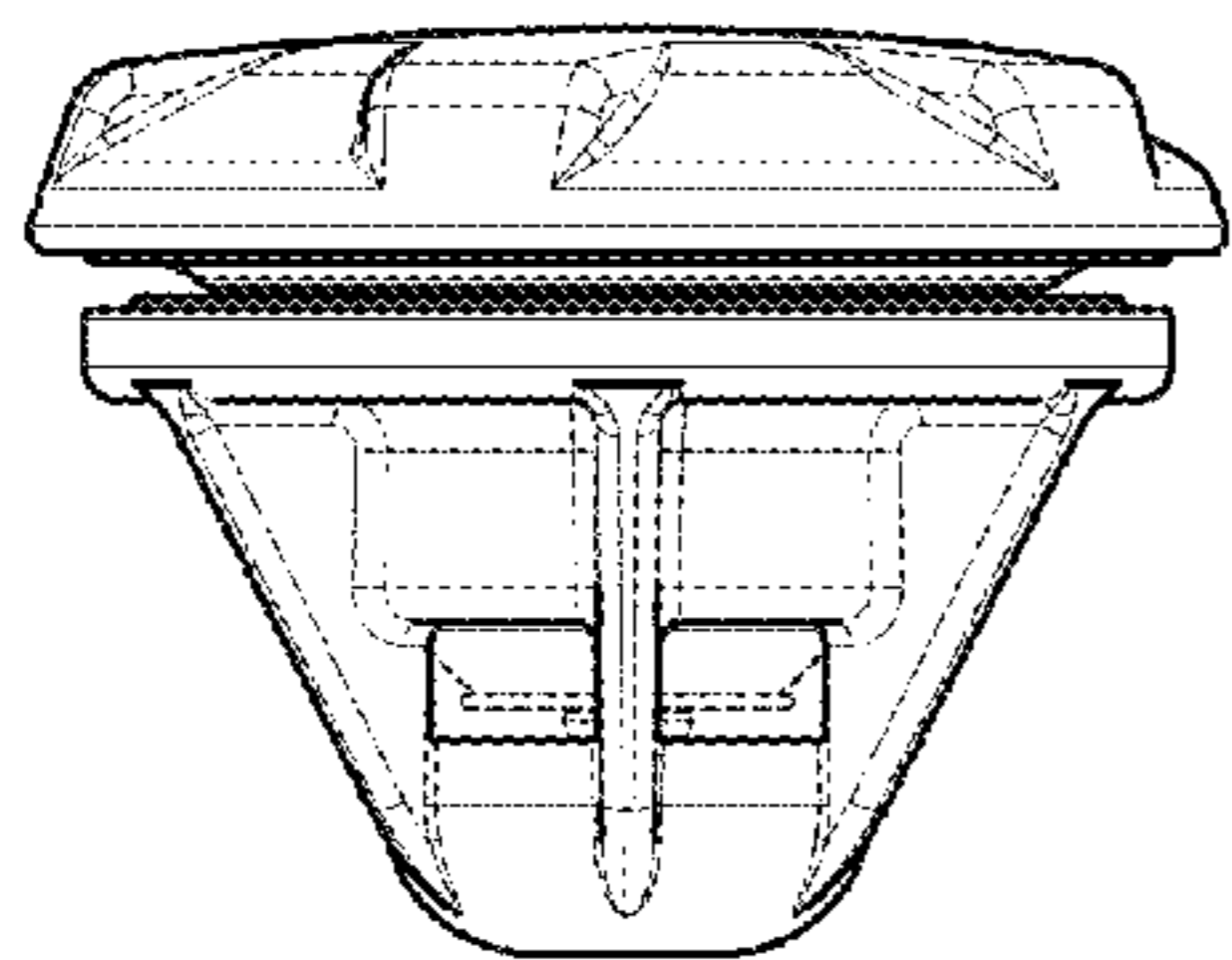


Fig. 3

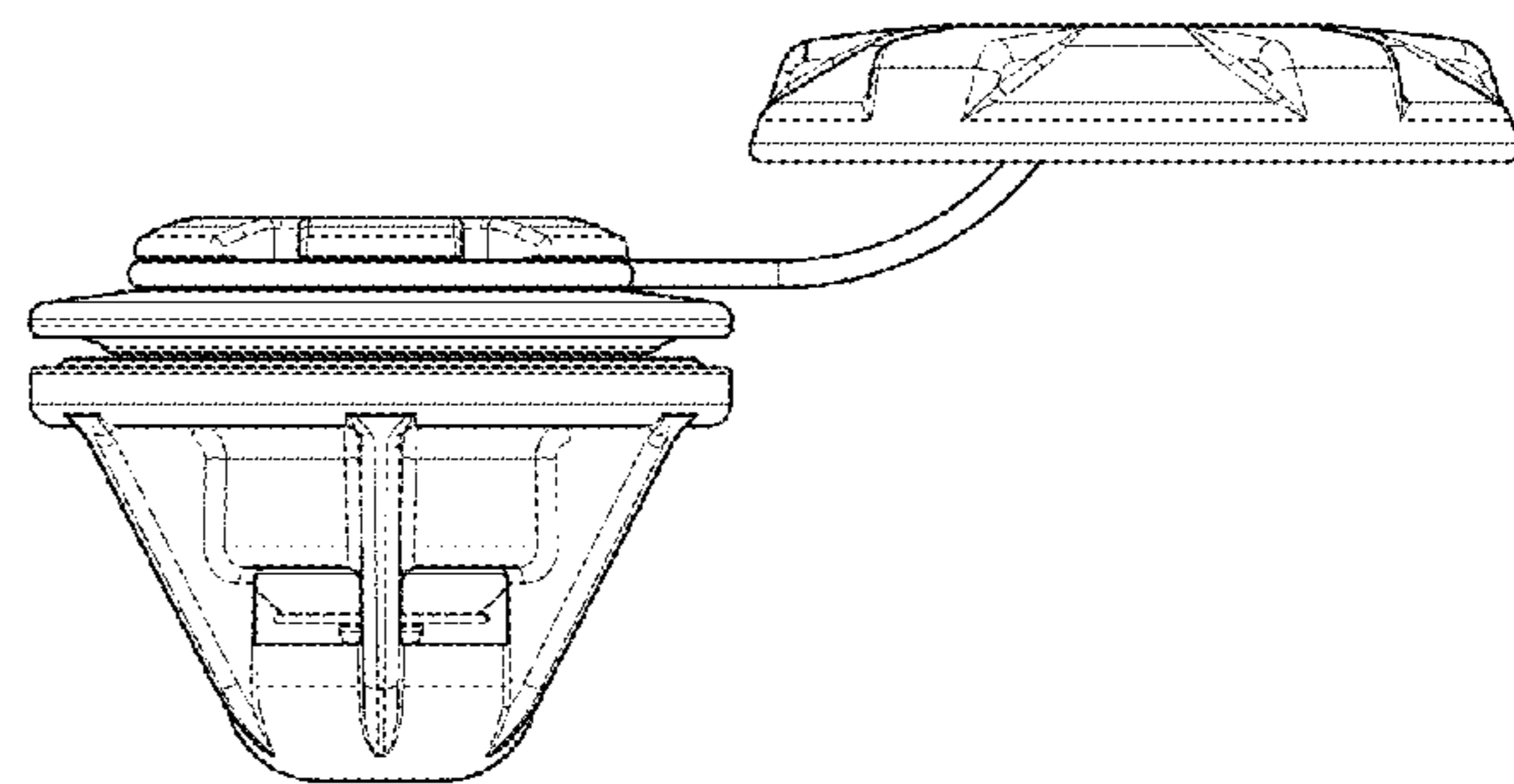


Fig. 4

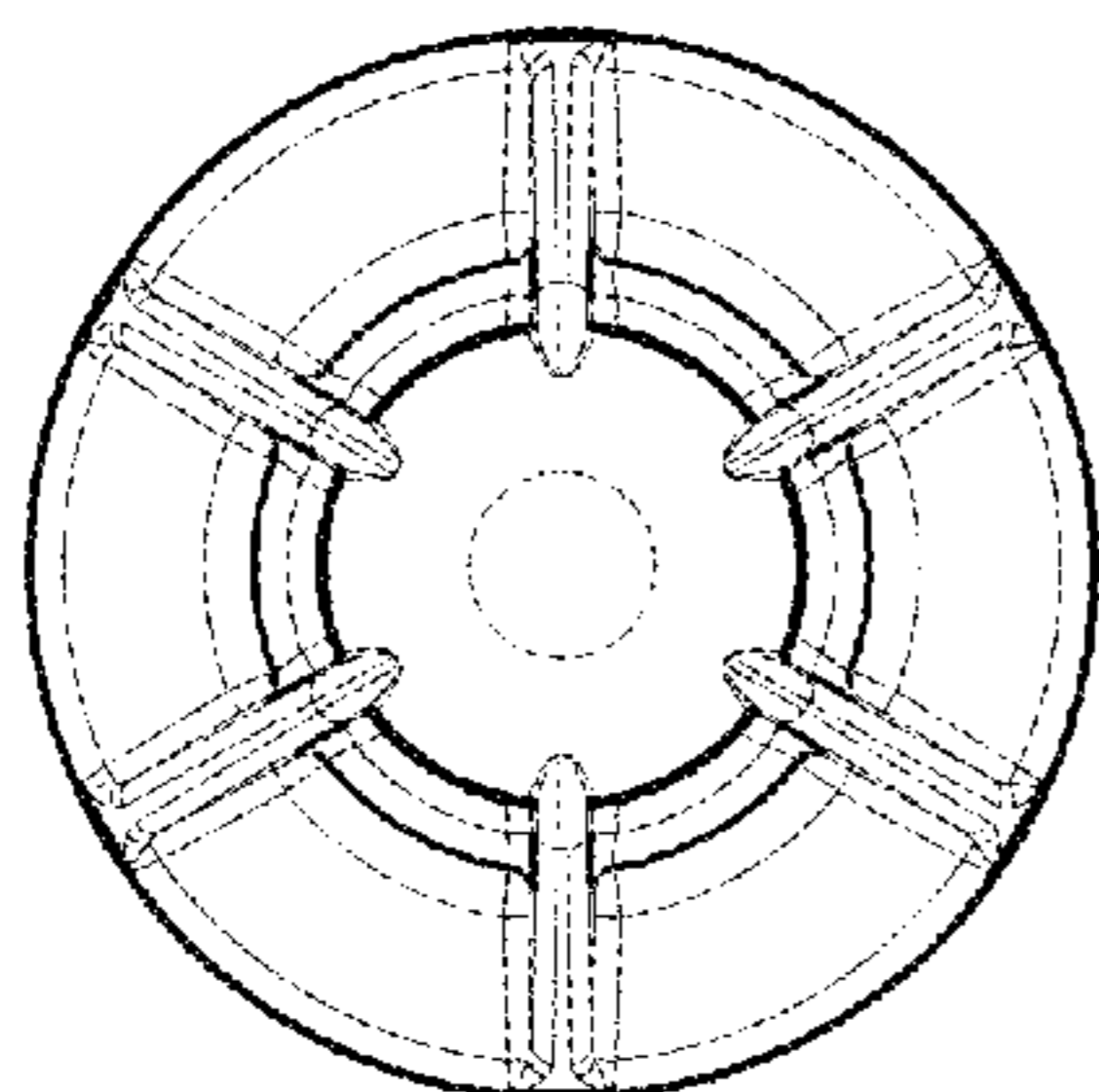


Fig. 5