



US00D728742S

(12) **United States Design Patent**
Blum

(10) **Patent No.:** **US D728,742 S**
(45) **Date of Patent:** **** May 5, 2015**

(54) **SPRAY UNIT**

FOREIGN PATENT DOCUMENTS

(71) Applicant: **Neoperl GmbH**, Mullheim (DE)

DE 102010007871 8/2011

(72) Inventor: **Gerhard Blum**, Gutach (DE)

OTHER PUBLICATIONS

(73) Assignee: **Neoperl GmbH**, Müllheim (DE)

European Design Registrations Nos. 001216642-0001 to 0008.
Neoperl Brochure of Neoperl PCA Spray, 2005.

(**) Term: **14 Years**

* cited by examiner

(21) Appl. No.: **29/486,962**

Primary Examiner — Robin V Webster

(22) Filed: **Apr. 4, 2014**

(74) *Attorney, Agent, or Firm* — Volpe and Koenig, P.C.

Related U.S. Application Data

(57) **CLAIM**

(63) Continuation of application No. 29/465,035, filed on Aug. 23, 2013.

The ornamental design of a spray unit, as shown and described.

(51) **LOC (10) Cl.** **23-01**

DESCRIPTION

(52) **U.S. Cl.**
USPC **D23/213**

(58) **Field of Classification Search**
USPC D23/213, 249; 239/428.5, 437;
261/DIG. 22; 366/276, 364-5
See application file for complete search history.

FIG. 1 is a top plan view of a first embodiment of a spray unit in accordance with my design;
FIG. 2 is a top, front perspective view thereof;
FIG. 3 is a bottom view thereof;
FIG. 4 is a bottom, rear perspective view thereof; and
FIG. 5 is an elevational view thereof;
FIG. 6 is a top plan view of a second embodiment of a spray unit in accordance with my design;
FIG. 7 is a top, front perspective view thereof;
FIG. 8 is a bottom view thereof;
FIG. 9 is a bottom, rear perspective view thereof; and,
FIG. 10 is an elevational view thereof.

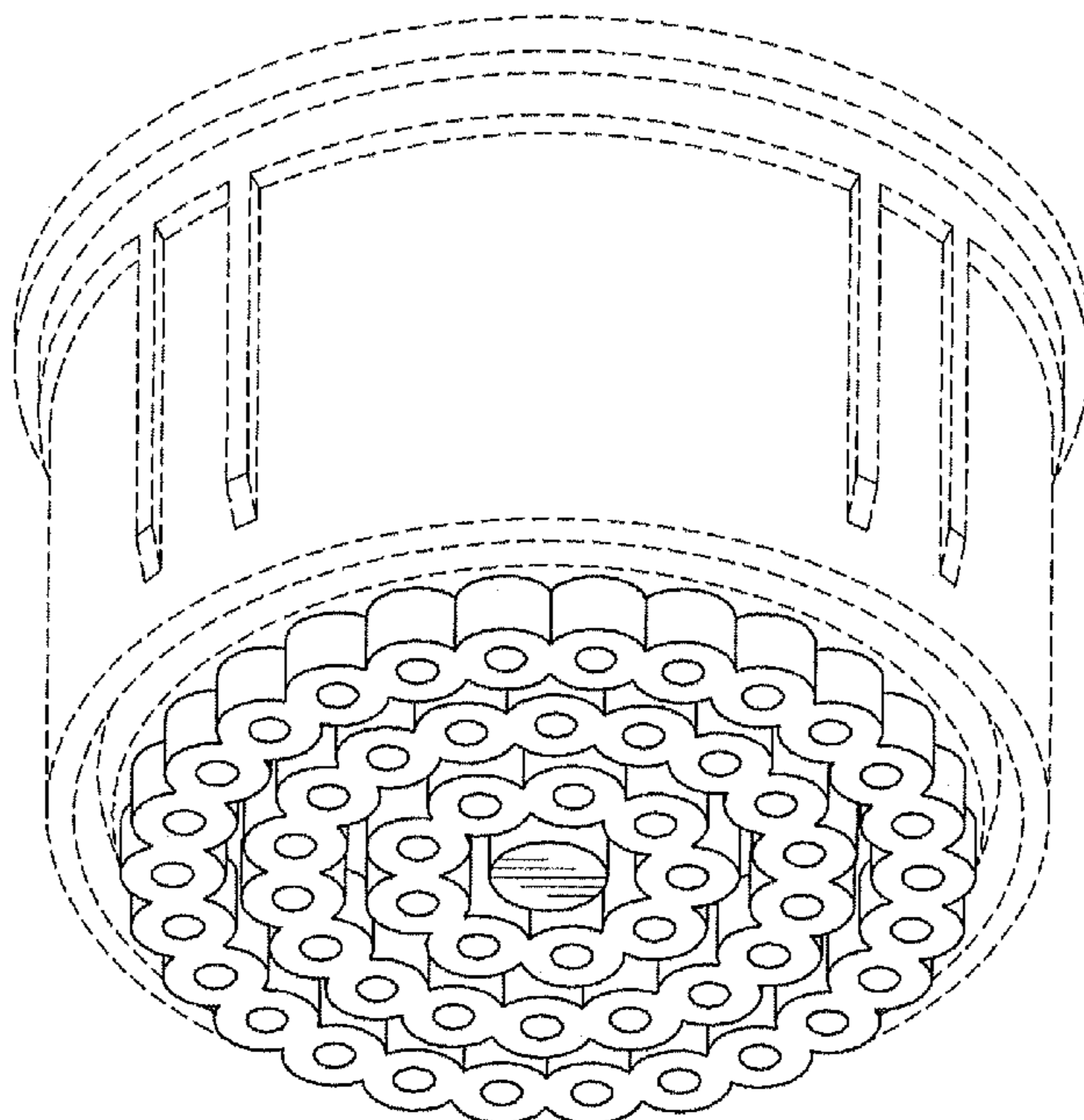
(56) **References Cited**

U.S. PATENT DOCUMENTS

D639,911 S	6/2011	Blum	
D641,834 S *	7/2011	Blum D23/249
D678,480 S *	3/2013	Blum D23/249
D697,174 S *	1/2014	Blum D23/213
D700,282 S *	2/2014	Blum D23/213
2012/0325933 A1	12/2012	Blum	

The broken lines shown form no part of the claimed design.

1 Claim, 10 Drawing Sheets



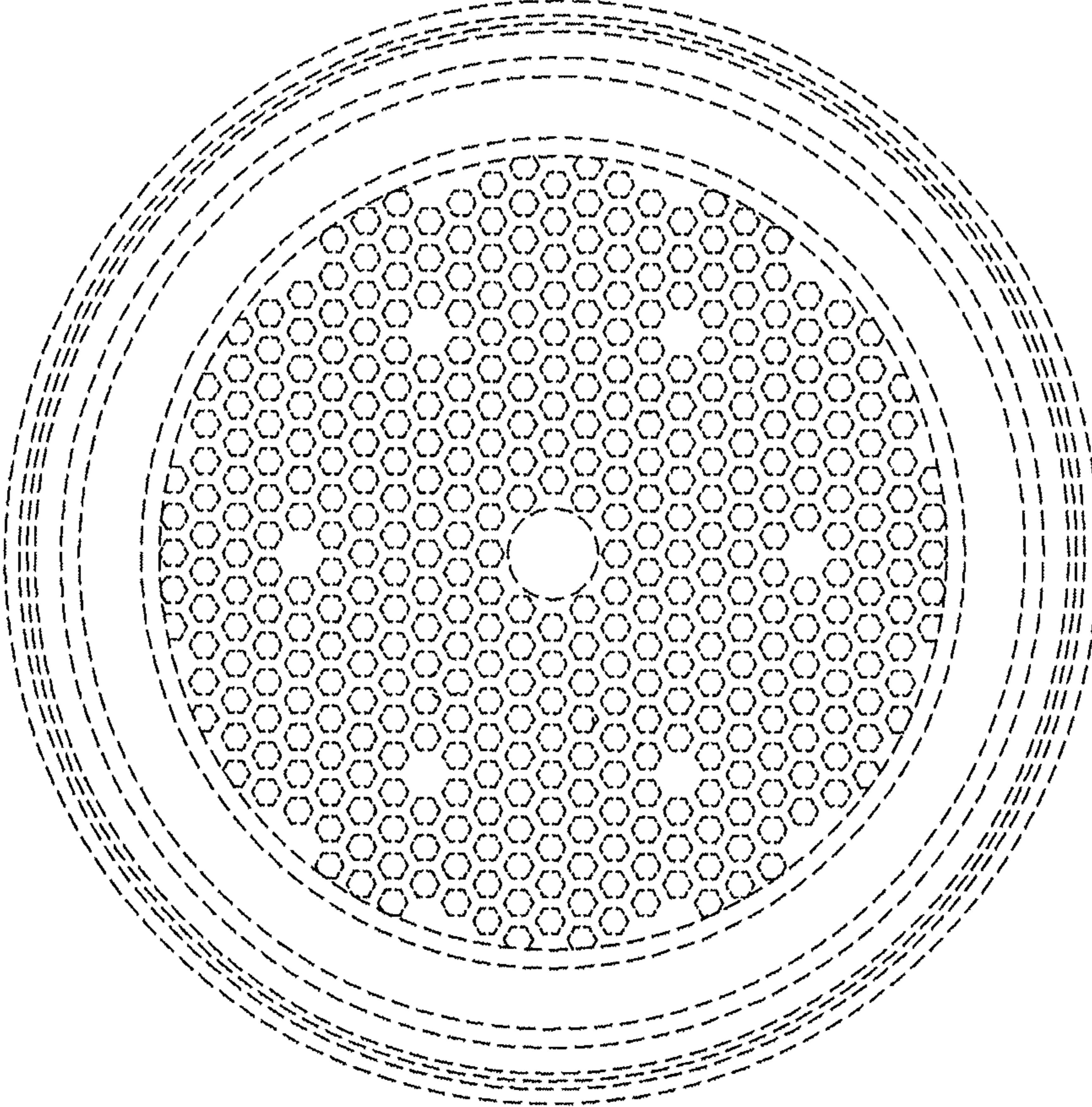


Fig. 1

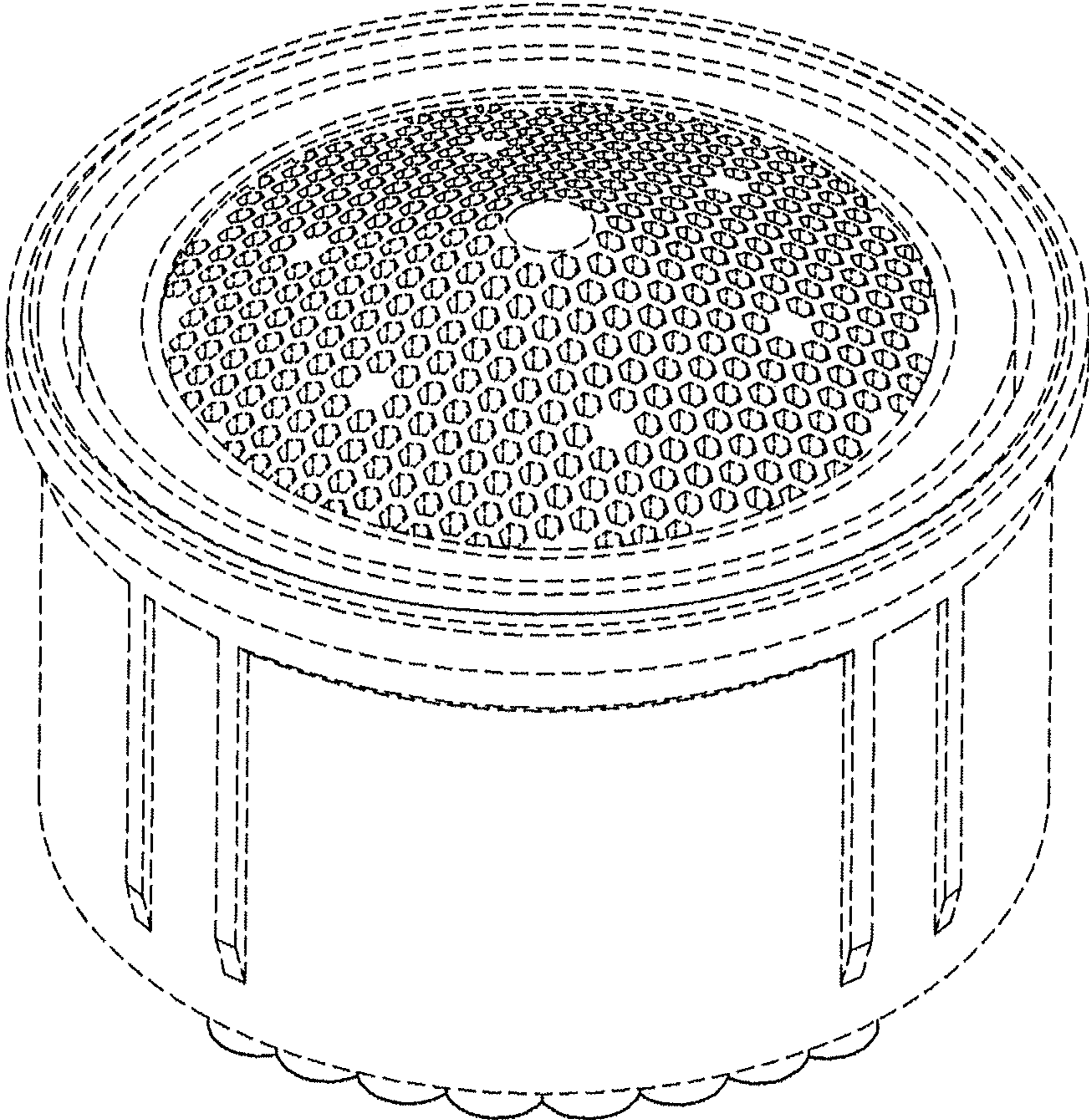


Fig. 2

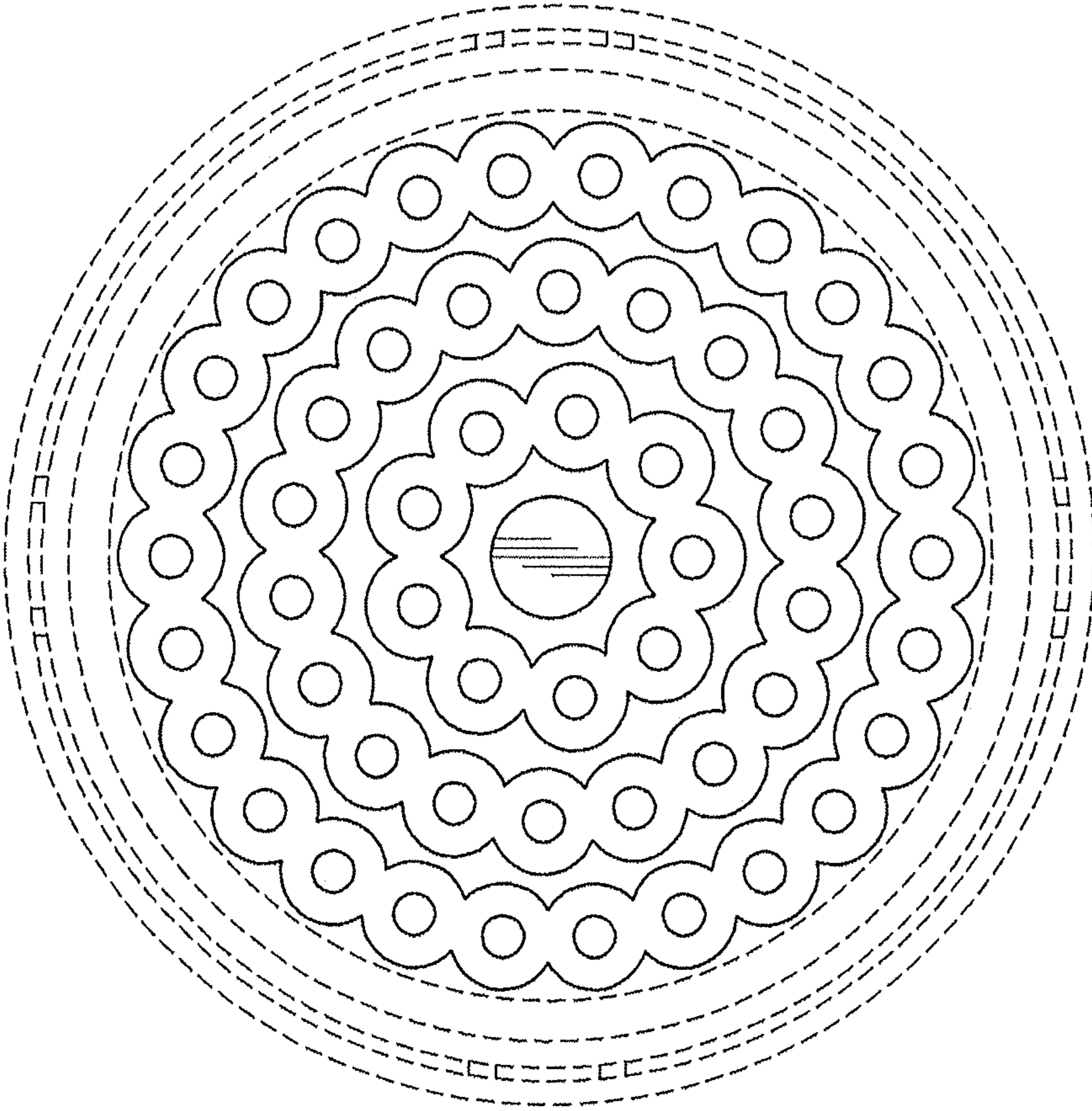


Fig. 3

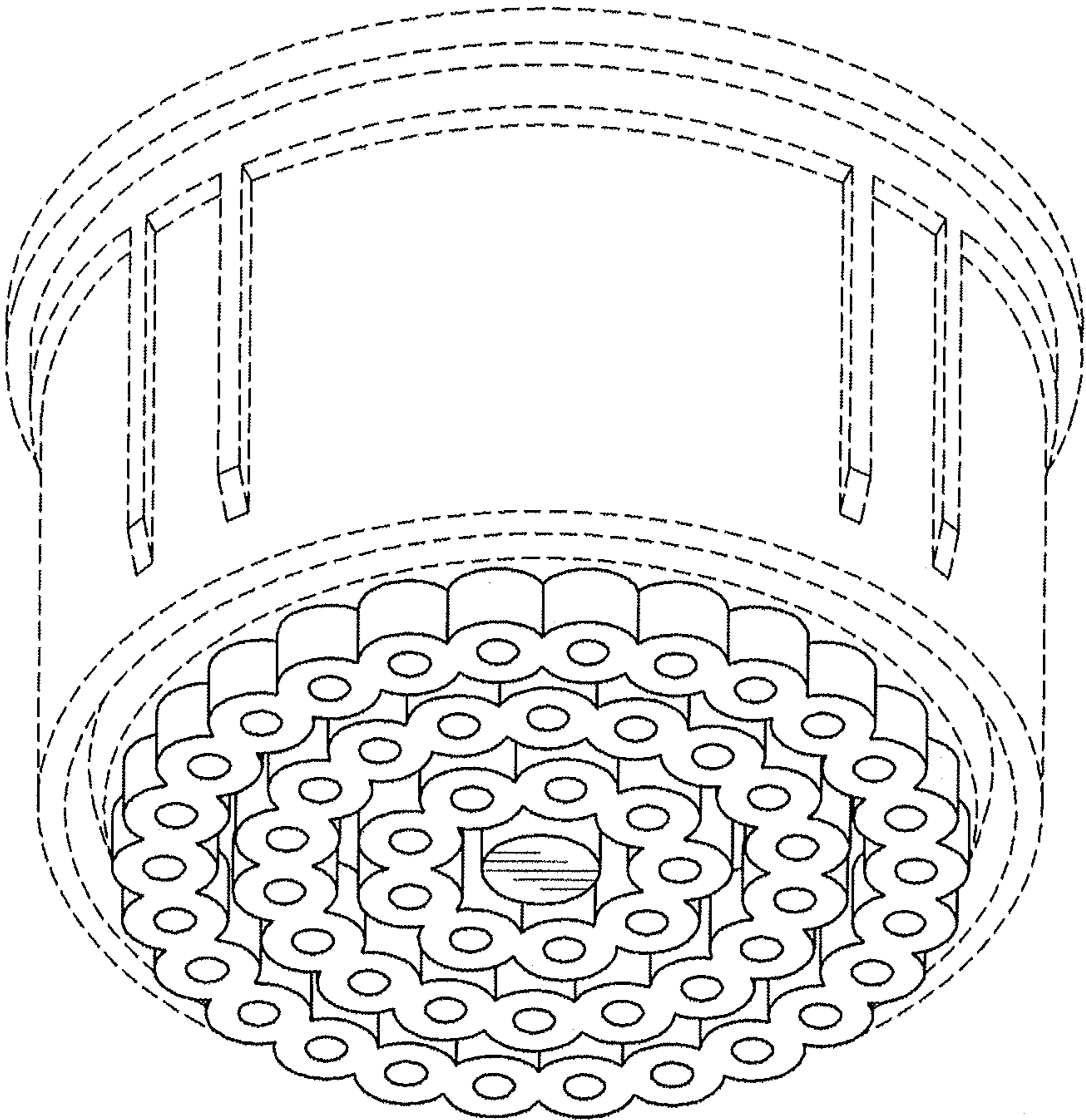


Fig. 4

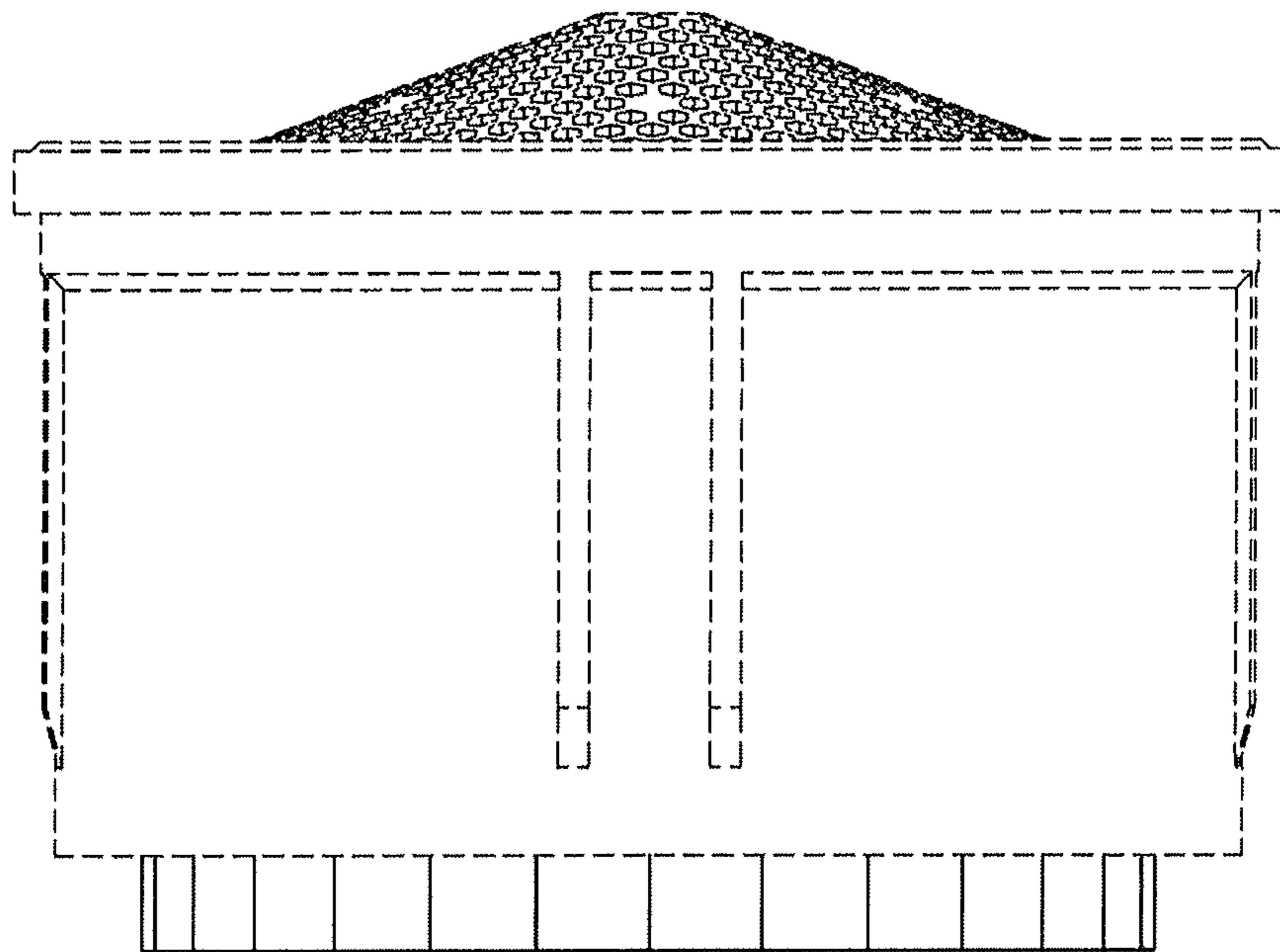


Fig. 5

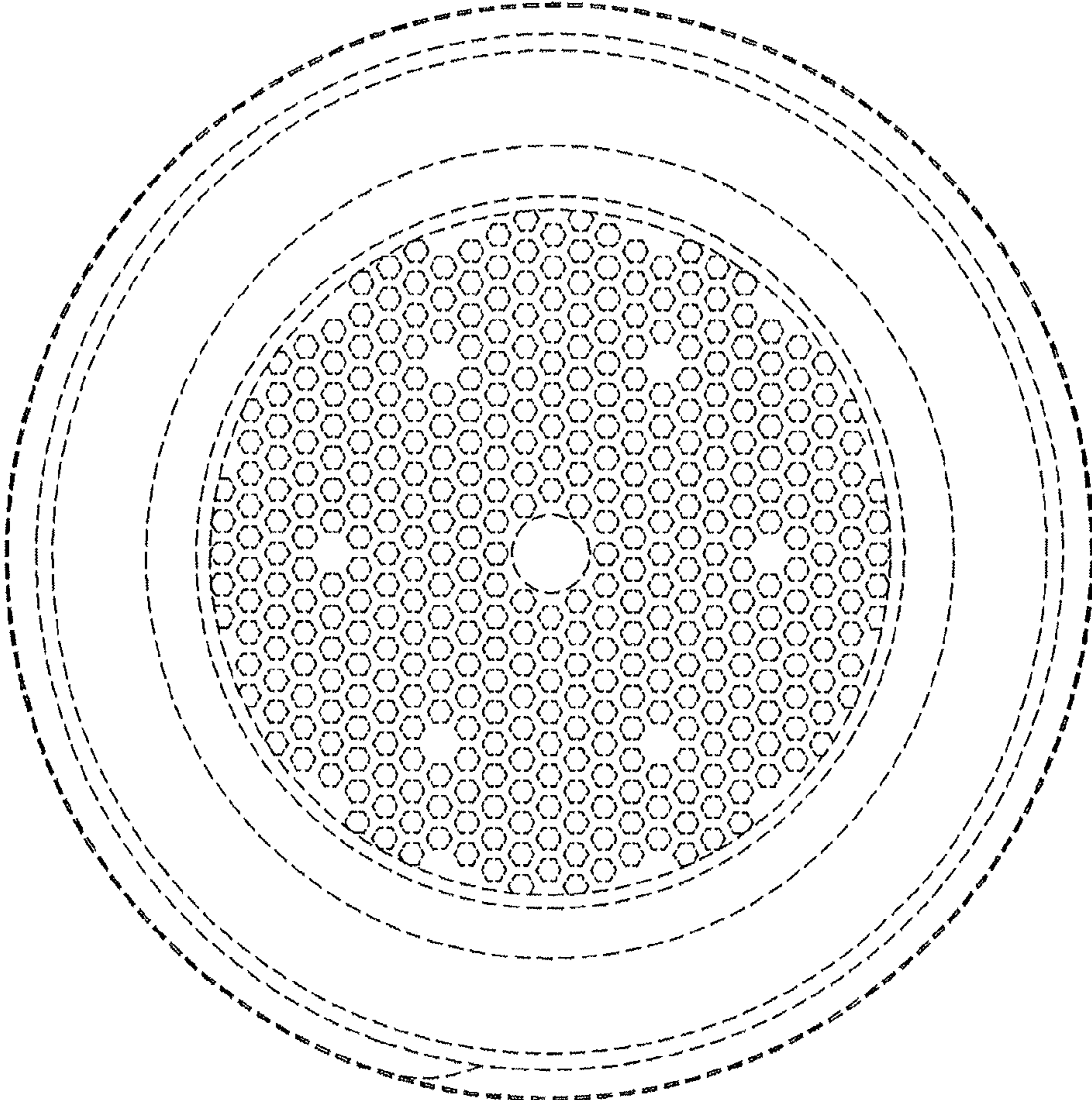


Fig. 6

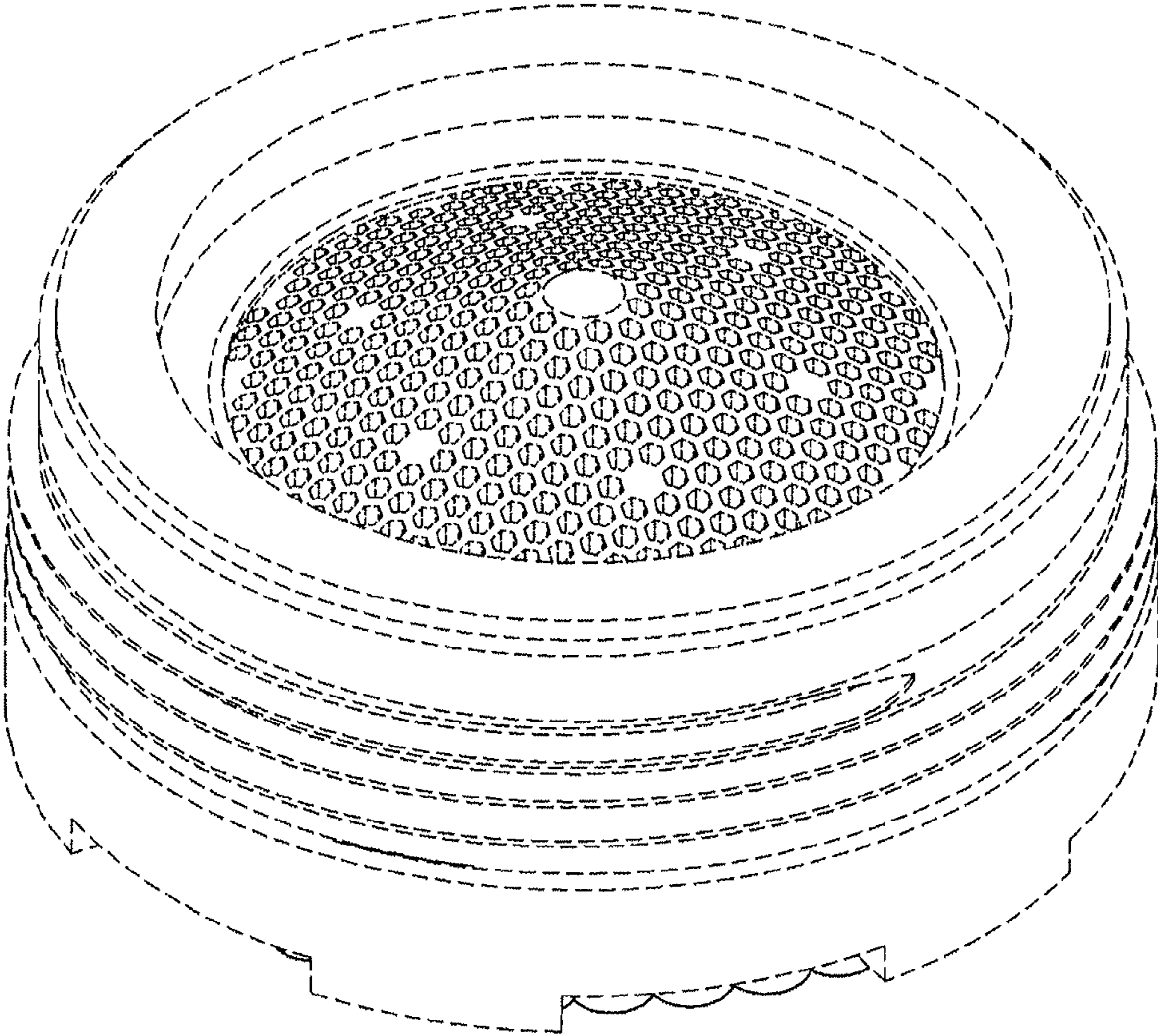


Fig. 7

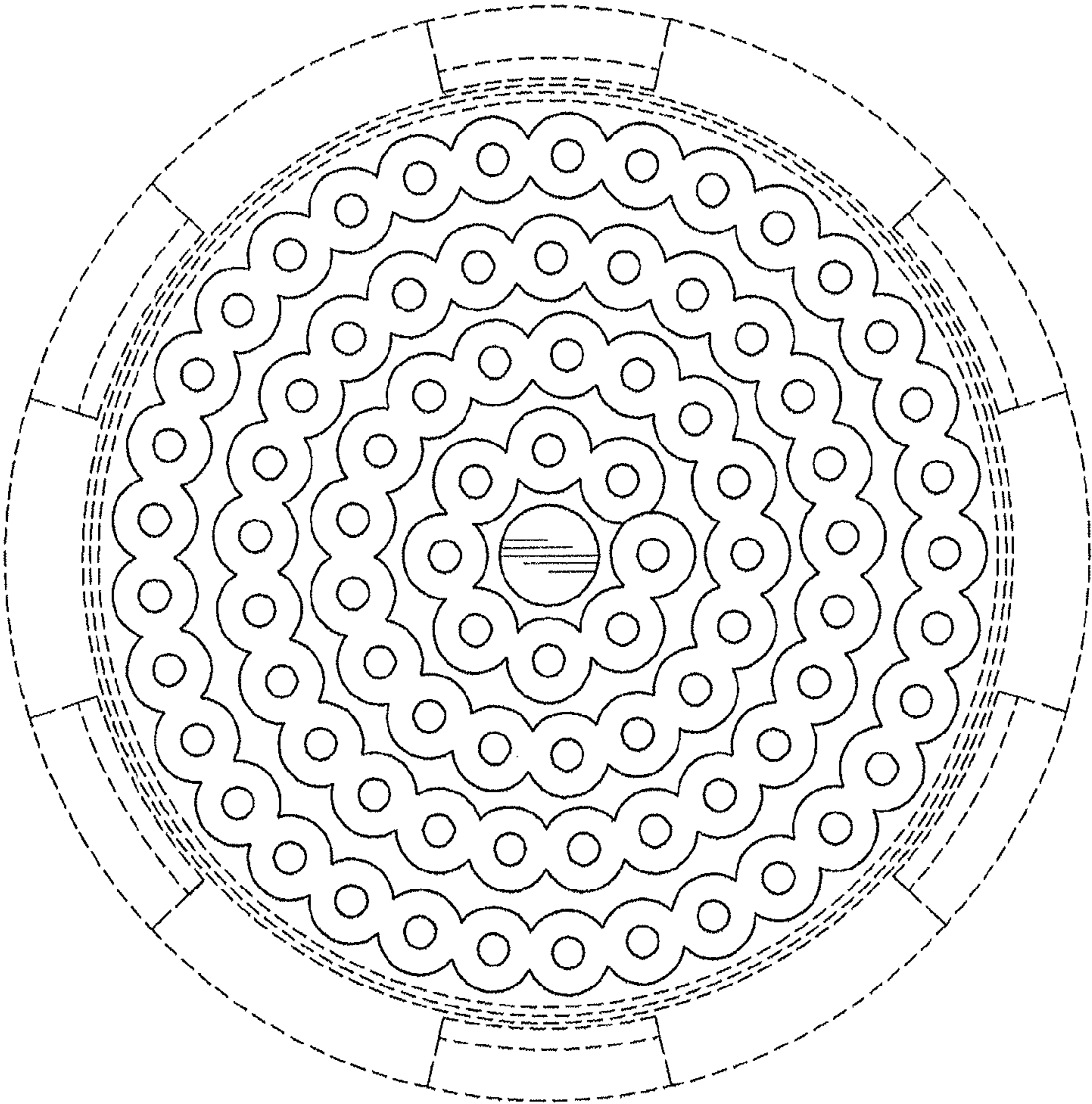


Fig. 8

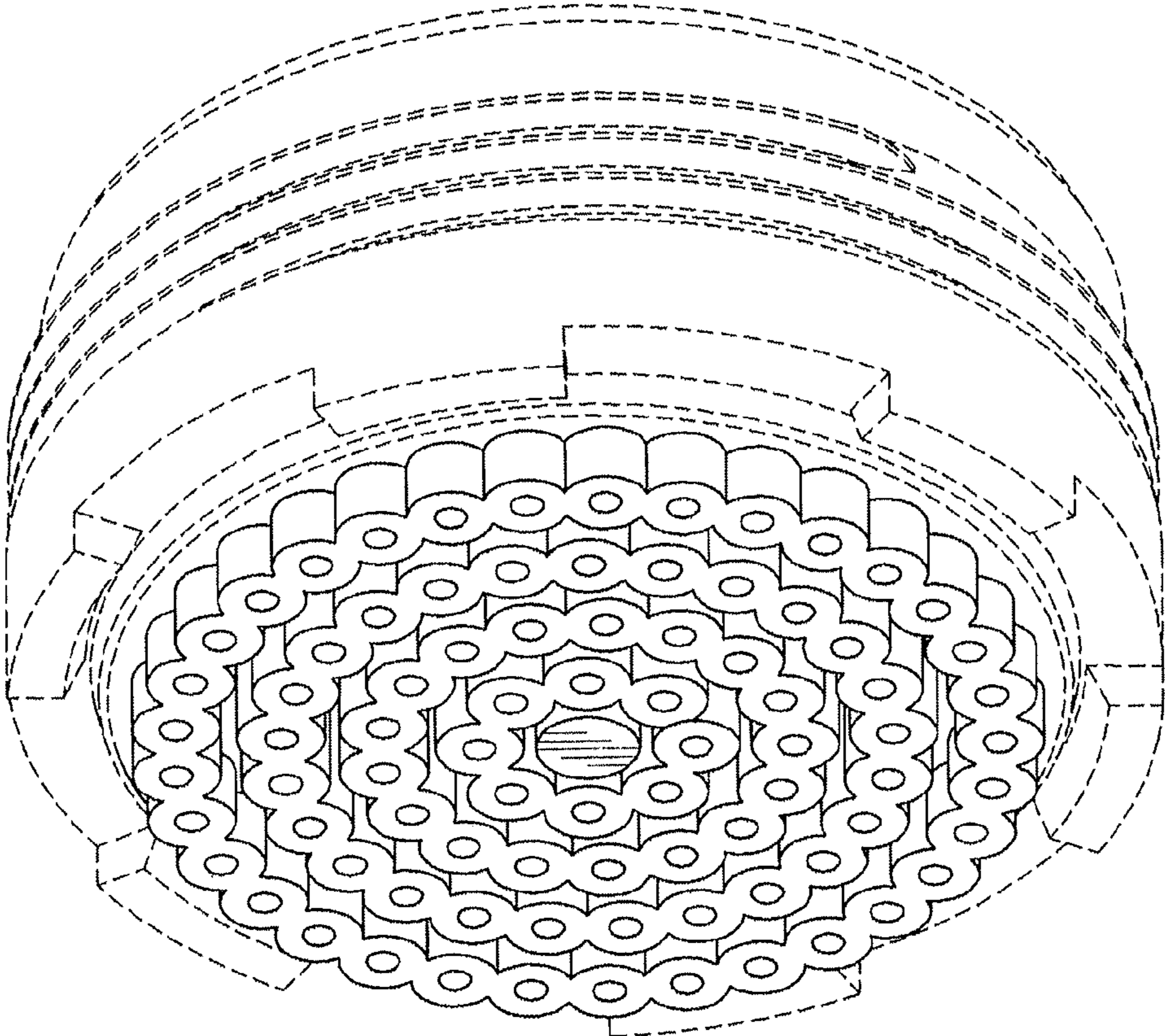


Fig. 9

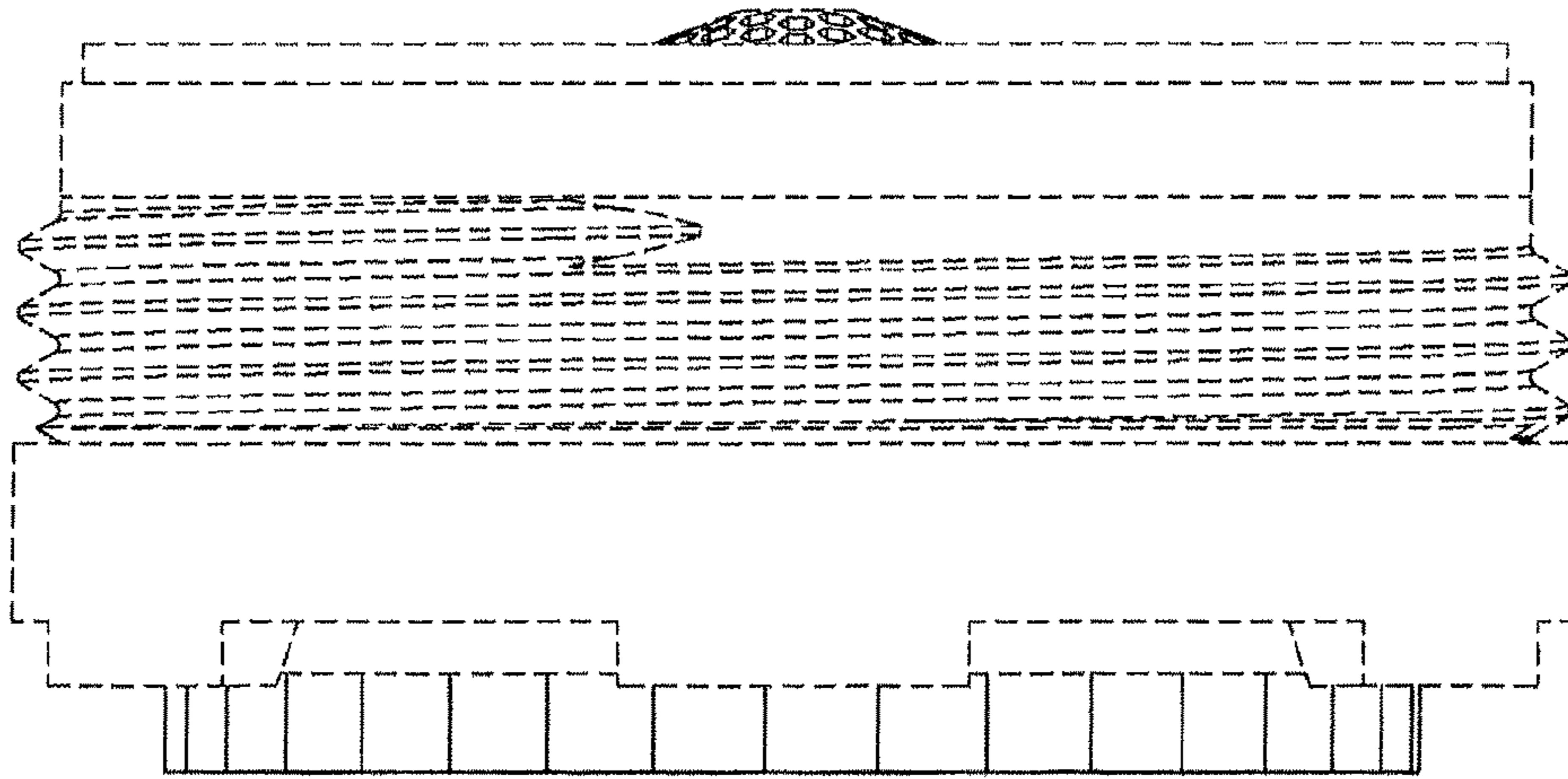


Fig. 10