



US00D728741S

(12) **United States Design Patent**  
**Blum**

(10) **Patent No.:** **US D728,741 S**

(45) **Date of Patent:** **\*\* May 5, 2015**

(54) **FAUCET STREAM STRAIGHTENER**

(71) Applicant: **Neoperl GmbH**, Mullheim (DE)

(72) Inventor: **Gerhard Blum**, Gutach (DE)

(73) Assignee: **Neoperl GmbH**, Müllheim (DE)

(\*\*) Term: **14 Years**

(21) Appl. No.: **29/479,346**

(22) Filed: **Jan. 15, 2014**

**Related U.S. Application Data**

(63) Continuation of application No. 29/465,029, filed on Aug. 23, 2013.

(30) **Foreign Application Priority Data**

Mar. 8, 2013 (WO) ..... 725018001

(51) **LOC (10) Cl.** ..... **23-01**

(52) **U.S. Cl.**

USPC ..... **D23/213**

(58) **Field of Classification Search**

USPC ..... D23/213, 249; 239/428.5, 437;  
261/DIG. 22; 366/276, 364-5

See application file for complete search history.

(56) **References Cited**

U.S. PATENT DOCUMENTS

|              |         |         |       |         |
|--------------|---------|---------|-------|---------|
| D536,417 S * | 2/2007  | Buttgen | ..... | D23/213 |
| D537,916 S * | 3/2007  | Buttgen | ..... | D23/213 |
| D577,416 S * | 9/2008  | Buttgen | ..... | D23/213 |
| D641,836 S * | 7/2011  | Grether | ..... | D23/249 |
| D641,839 S * | 7/2011  | Grether | ..... | D23/249 |
| D642,662 S * | 8/2011  | Grether | ..... | D23/249 |
| D682,987 S * | 5/2013  | Blum    | ..... | D23/213 |
| D684,240 S * | 6/2013  | Stein   | ..... | D23/213 |
| D690,796 S * | 10/2013 | Blum    | ..... | D23/213 |
| D690,797 S * | 10/2013 | Blum    | ..... | D23/213 |
| D697,174 S * | 1/2014  | Blum    | ..... | D23/213 |
| D697,175 S * | 1/2014  | Grether | ..... | D23/213 |
| D699,816 S * | 2/2014  | Blum    | ..... | D23/249 |
| D700,282 S * | 2/2014  | Blum    | ..... | D23/213 |
| D709,593 S * | 7/2014  | Blum    | ..... | D23/213 |

\* cited by examiner

*Primary Examiner* — Robin V Webster

(74) *Attorney, Agent, or Firm* — Volpe and Koenig, P.C.

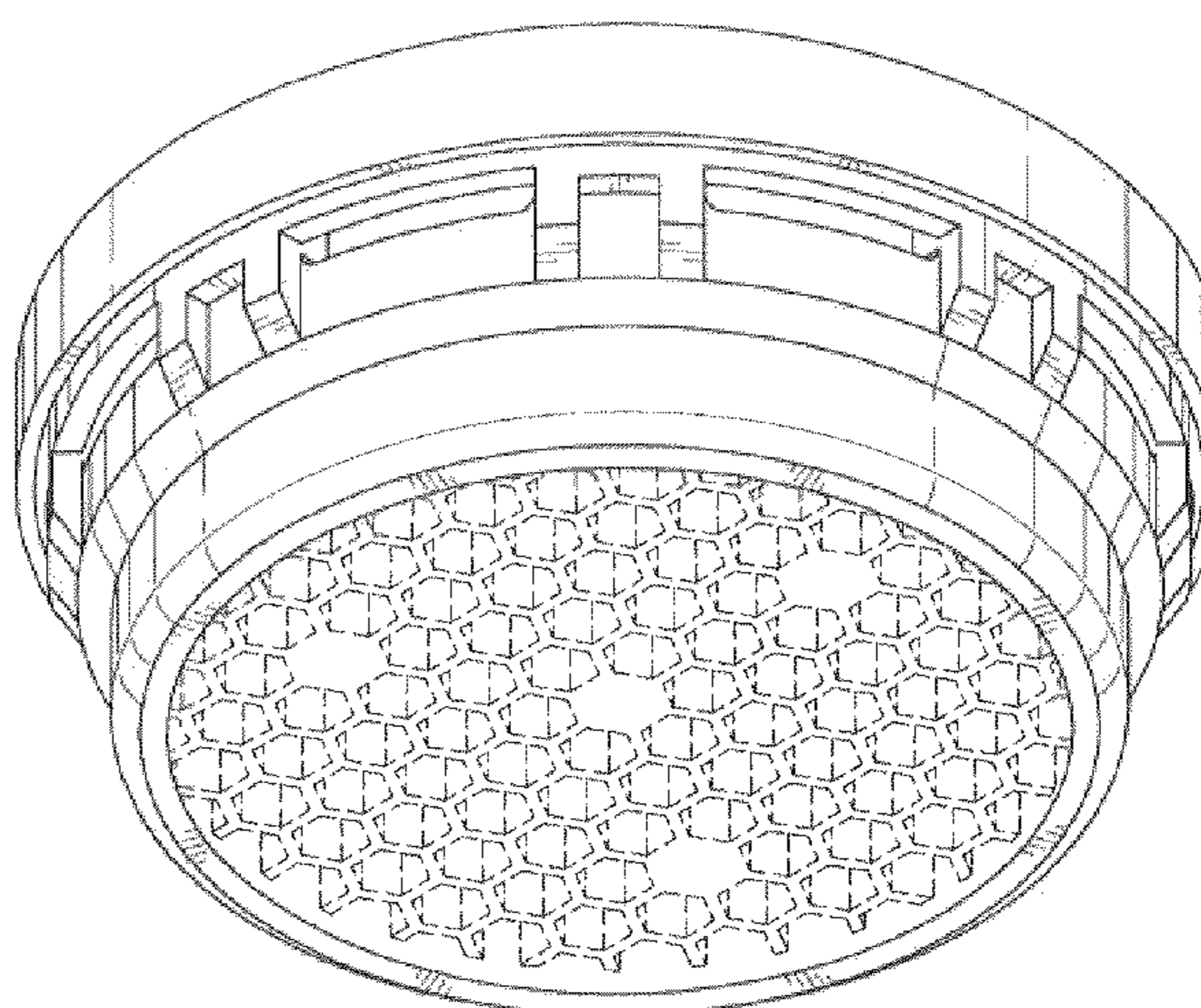
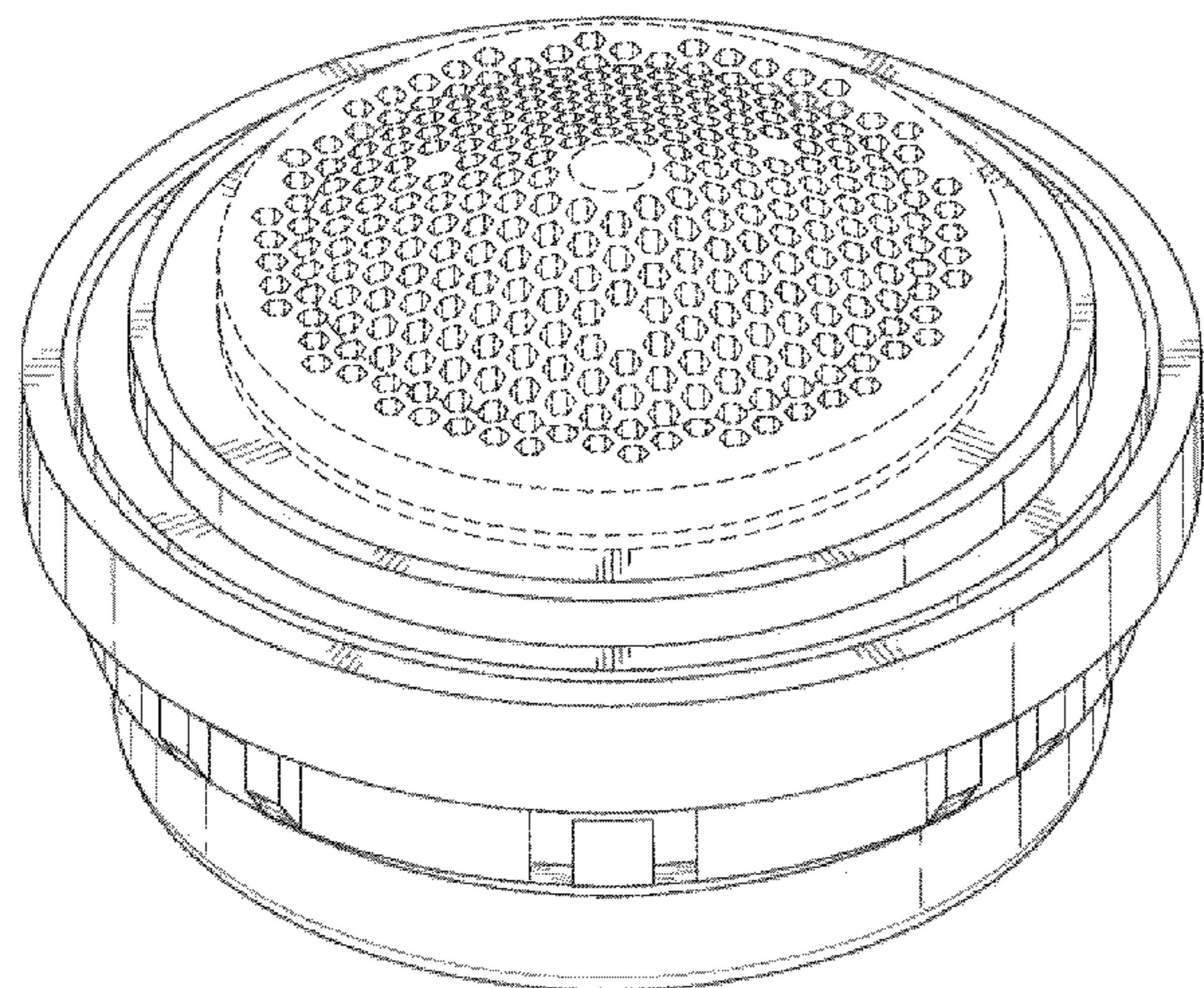
(57) **CLAIM**

The ornamental design of a faucet stream straightener, as shown and described.

**DESCRIPTION**

FIG. 1 is a top plan view of a faucet stream straightener in accordance with my design;  
FIG. 2 is a top, front perspective view thereof;  
FIG. 3 is a bottom view thereof;  
FIG. 4 is a bottom, rear perspective view thereof; and,  
FIG. 5 is a side elevational view thereof.  
The broken lines shown form no part of the claimed design.

**1 Claim, 5 Drawing Sheets**



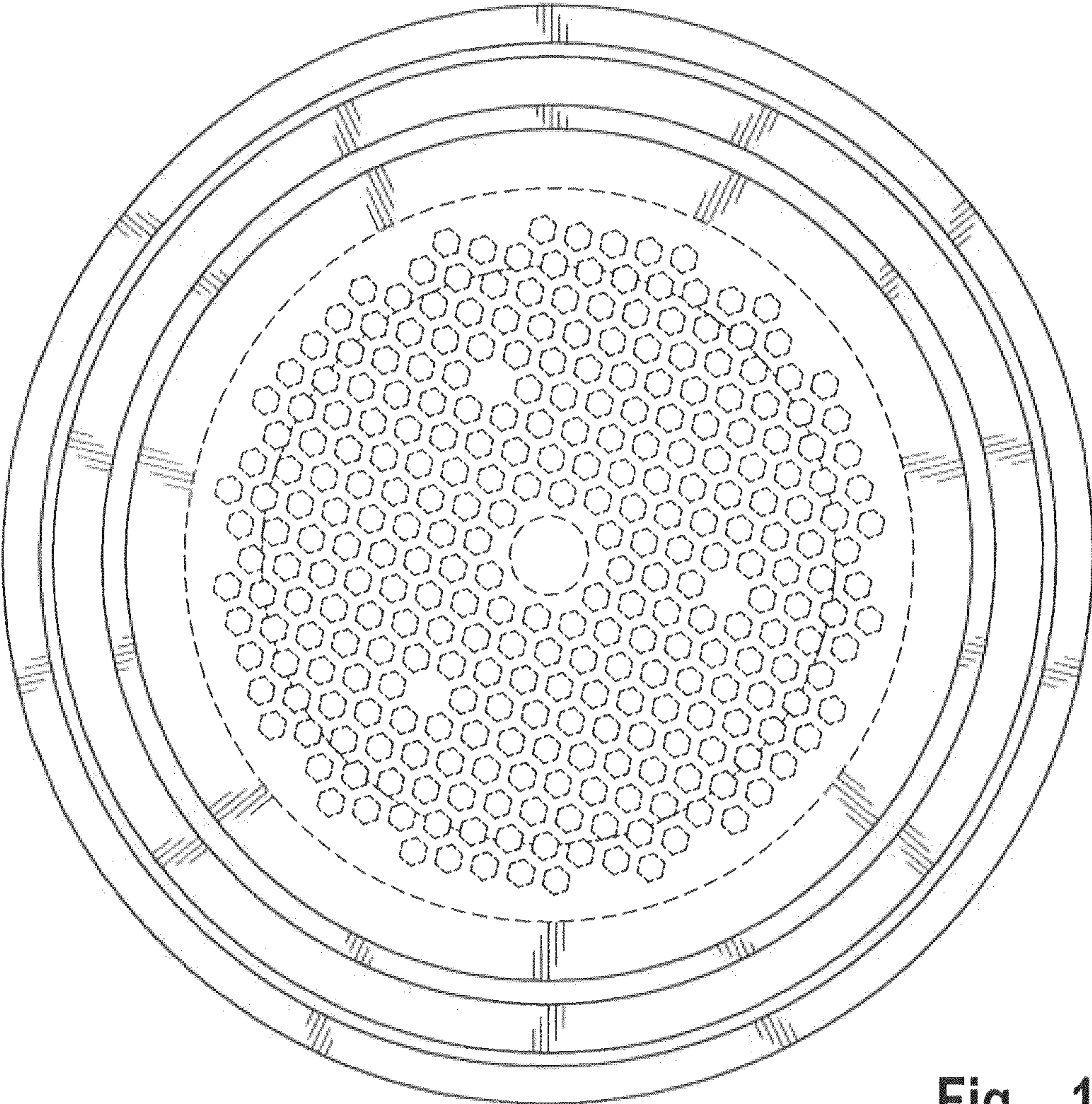


Fig. 1

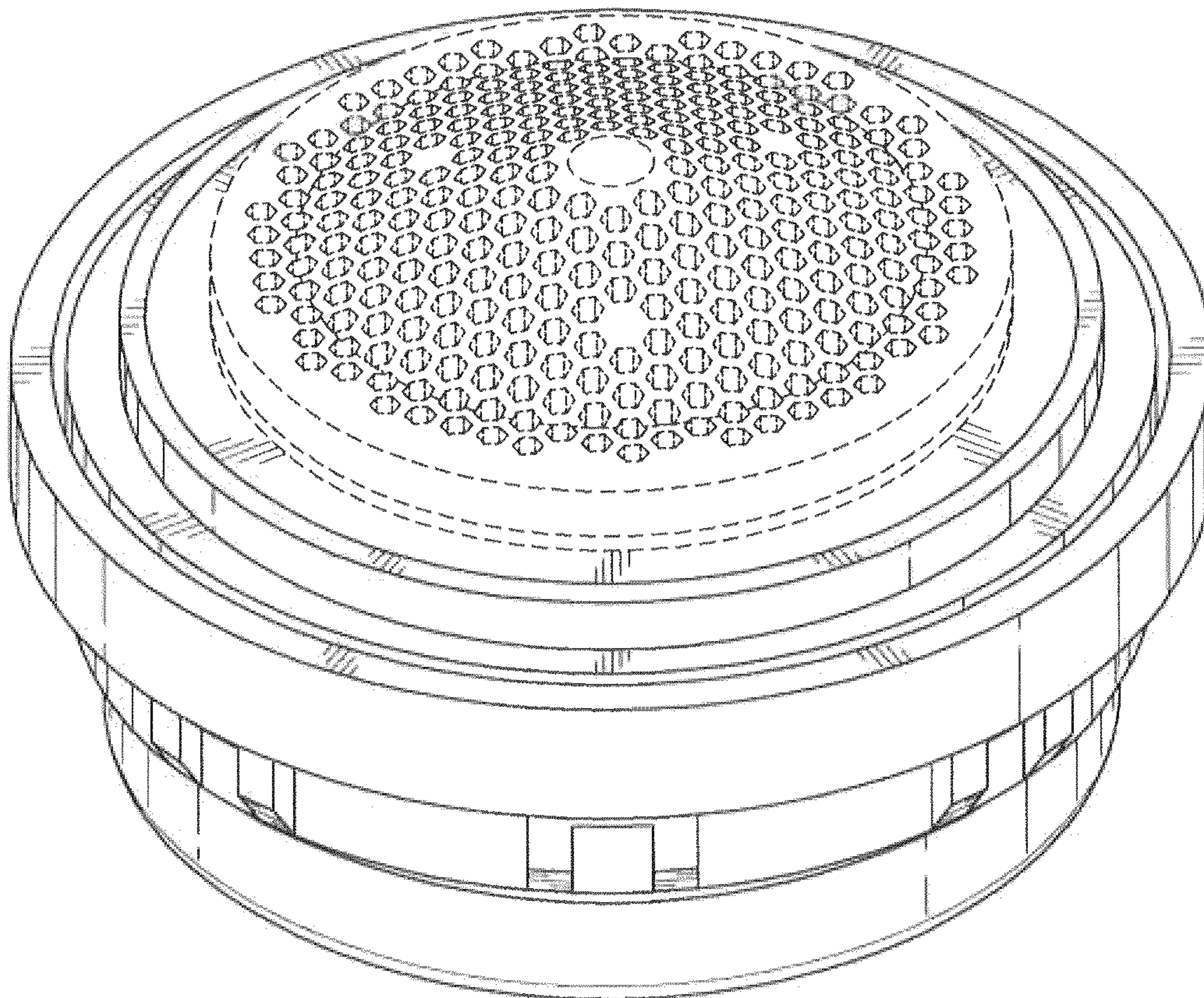


Fig. 2

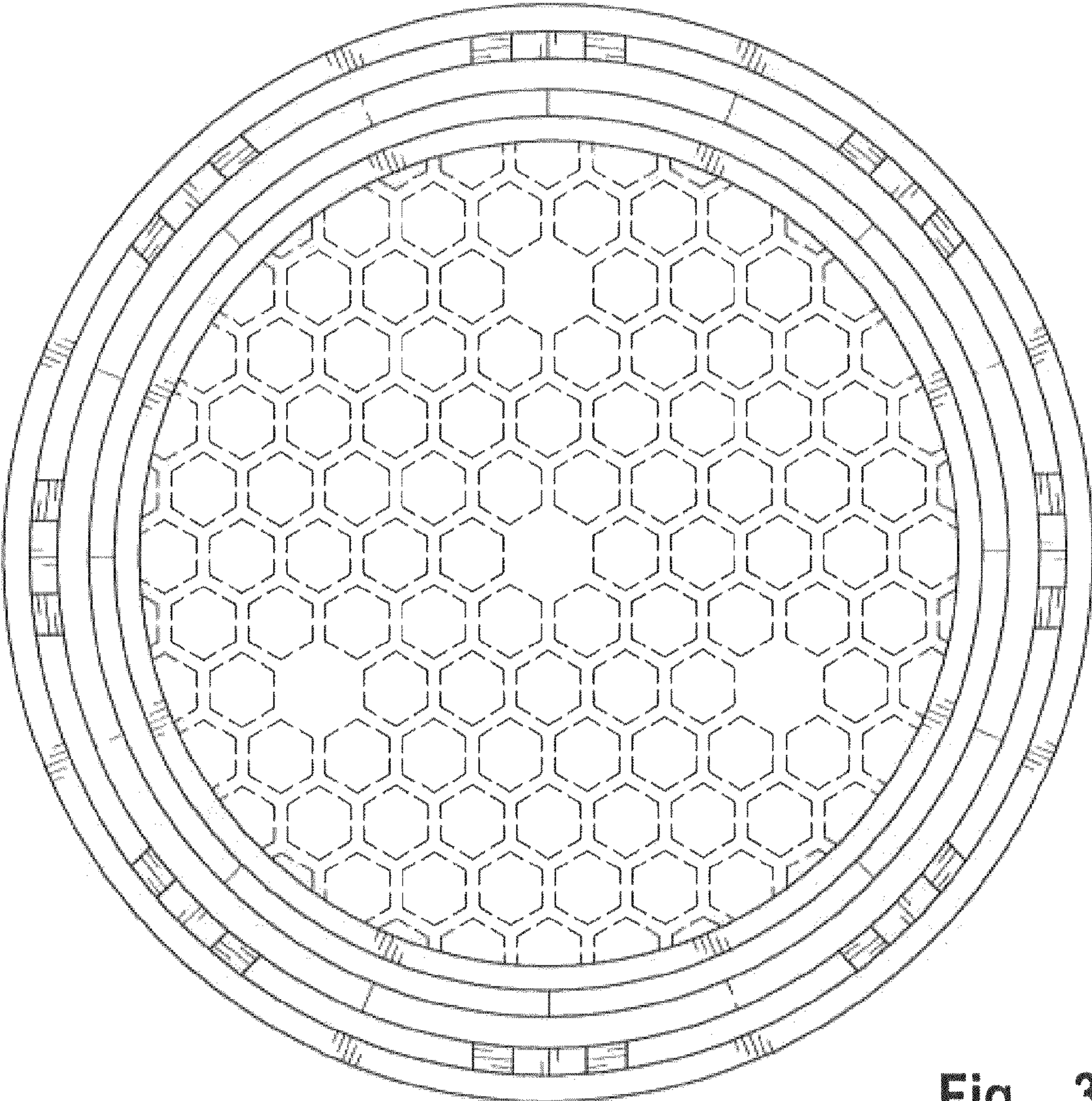


Fig. 3

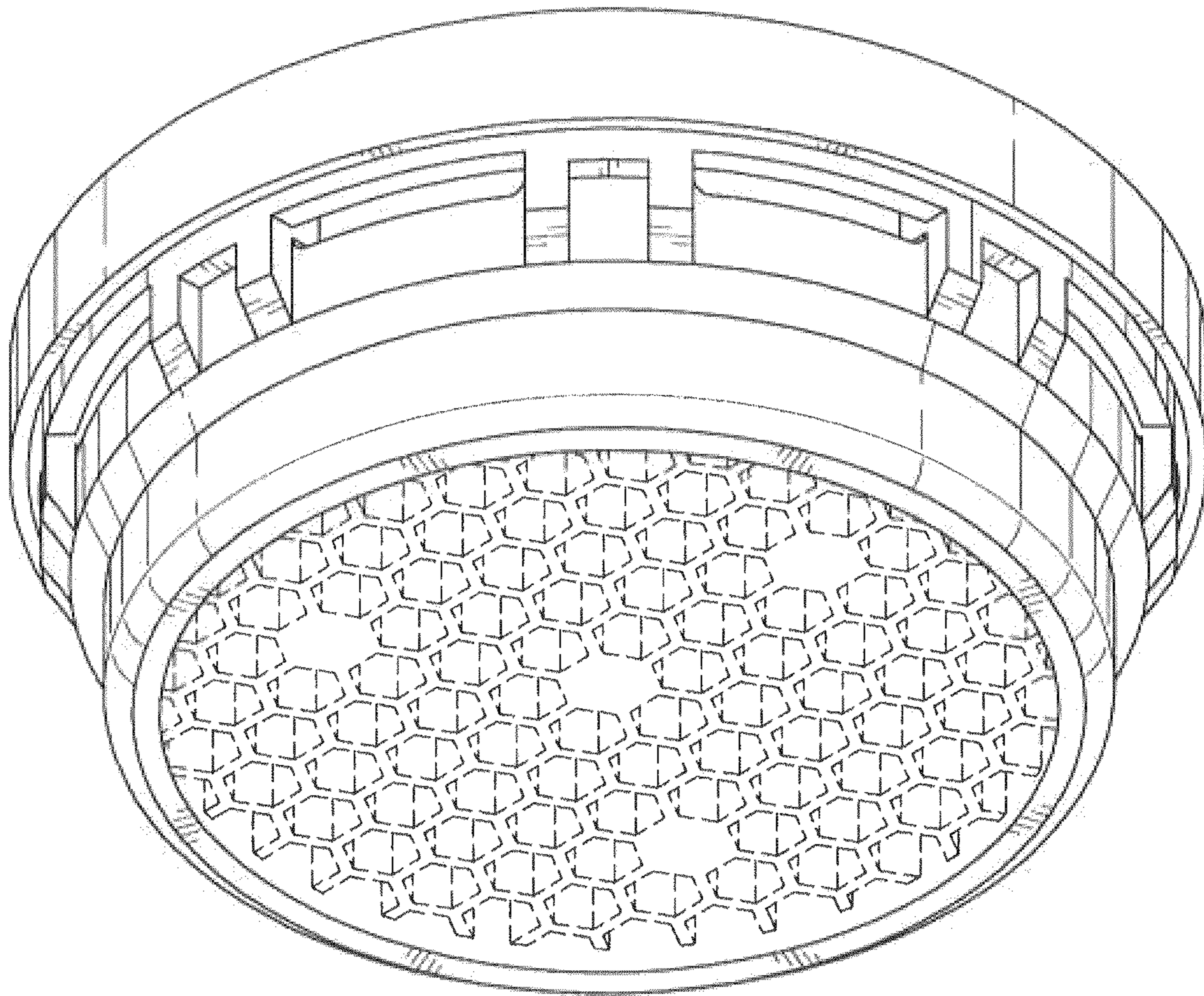


Fig. 4

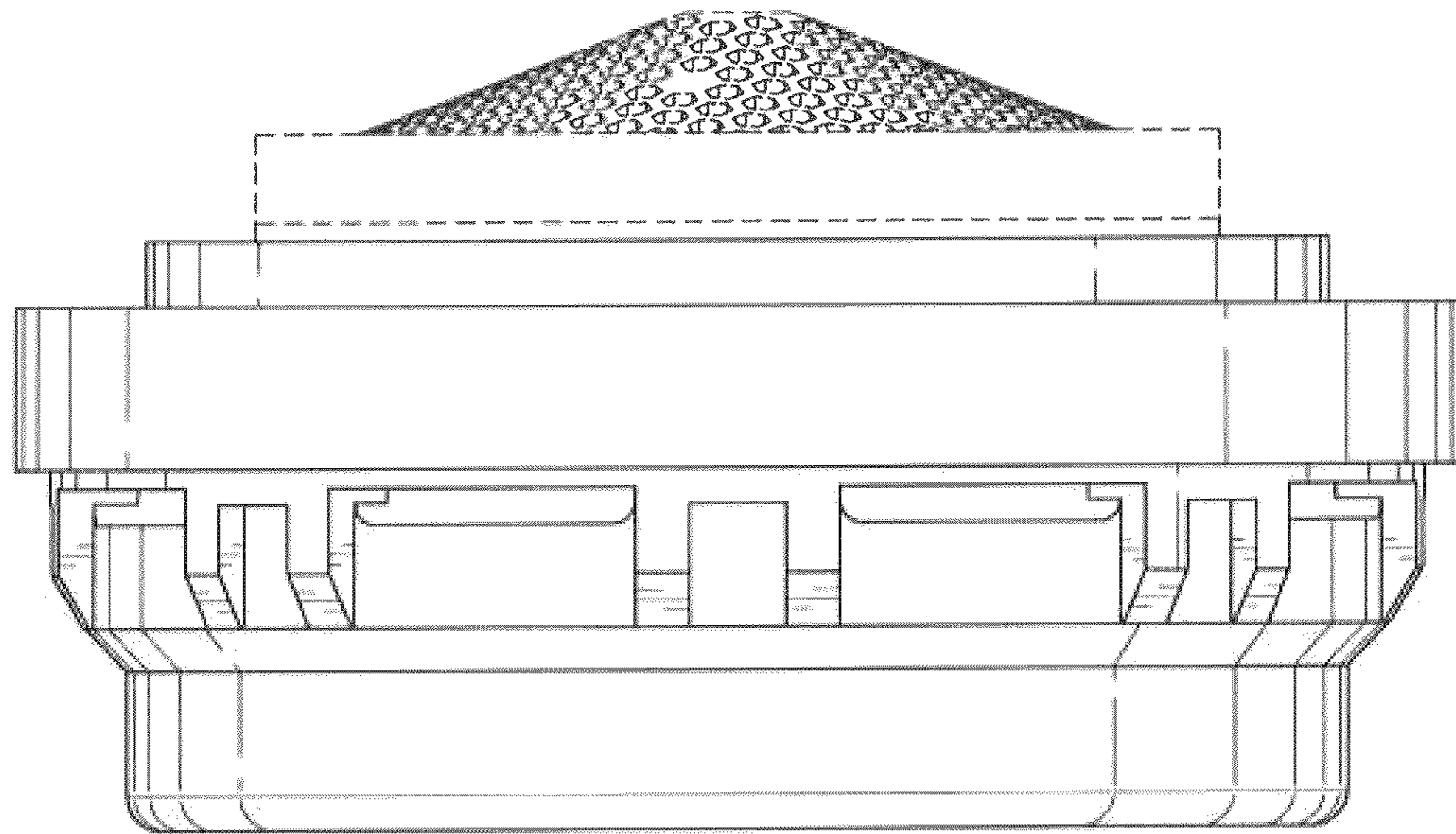


Fig. 5