



US00D728739S

(12) **United States Design Patent**  
**Blum**

(10) **Patent No.:** **US D728,739 S**

(45) **Date of Patent:** **\*\* May 5, 2015**

(54) **SPRAY UNIT**

(71) Applicant: **Neoperl GmbH**, Mullheim (DE)

(72) Inventor: **Gerhard Blum**, Gutach (DE)

(73) Assignee: **Neoperl GmbH**, Müllheim (DE)

(\*\*) Term: **14 Years**

(21) Appl. No.: **29/465,035**

(22) Filed: **Aug. 23, 2013**

(30) **Foreign Application Priority Data**

Mar. 8, 2013 (WO) ..... 725018801

(51) **LOC (10) Cl.** ..... **23-01**

(52) **U.S. Cl.**  
USPC ..... **D23/213**

(58) **Field of Classification Search**  
USPC ..... D23/213, 249; 239/428.5, 437;  
261/DIG. 22; 366/276, 364-5

See application file for complete search history.

(56) **References Cited**

U.S. PATENT DOCUMENTS

D605,732 S *	12/2009	Stein	.....	D23/249
D612,911 S *	3/2010	Grether	.....	D23/249
D622,355 S *	8/2010	Grether	.....	D23/249
D639,911 S *	6/2011	Blum	.....	D23/249

\* cited by examiner

*Primary Examiner* — Robin V Webster

(74) *Attorney, Agent, or Firm* — Volpe and Koenig, P.C.

(57) **CLAIM**

The ornamental design of a spray unit, as shown and described.

**DESCRIPTION**

FIG. 1 is a top plan view of a spray unit in accordance with my design;

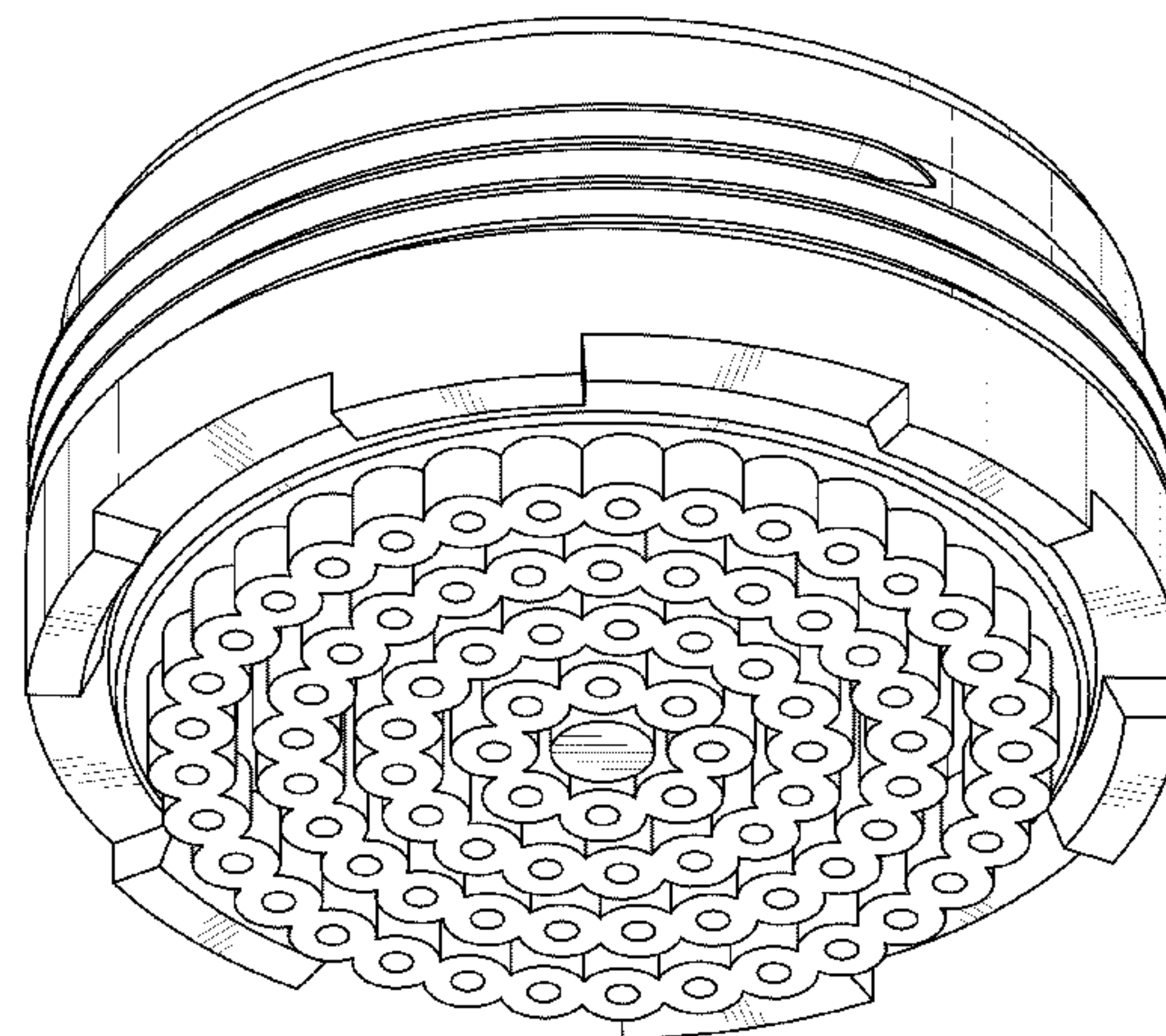
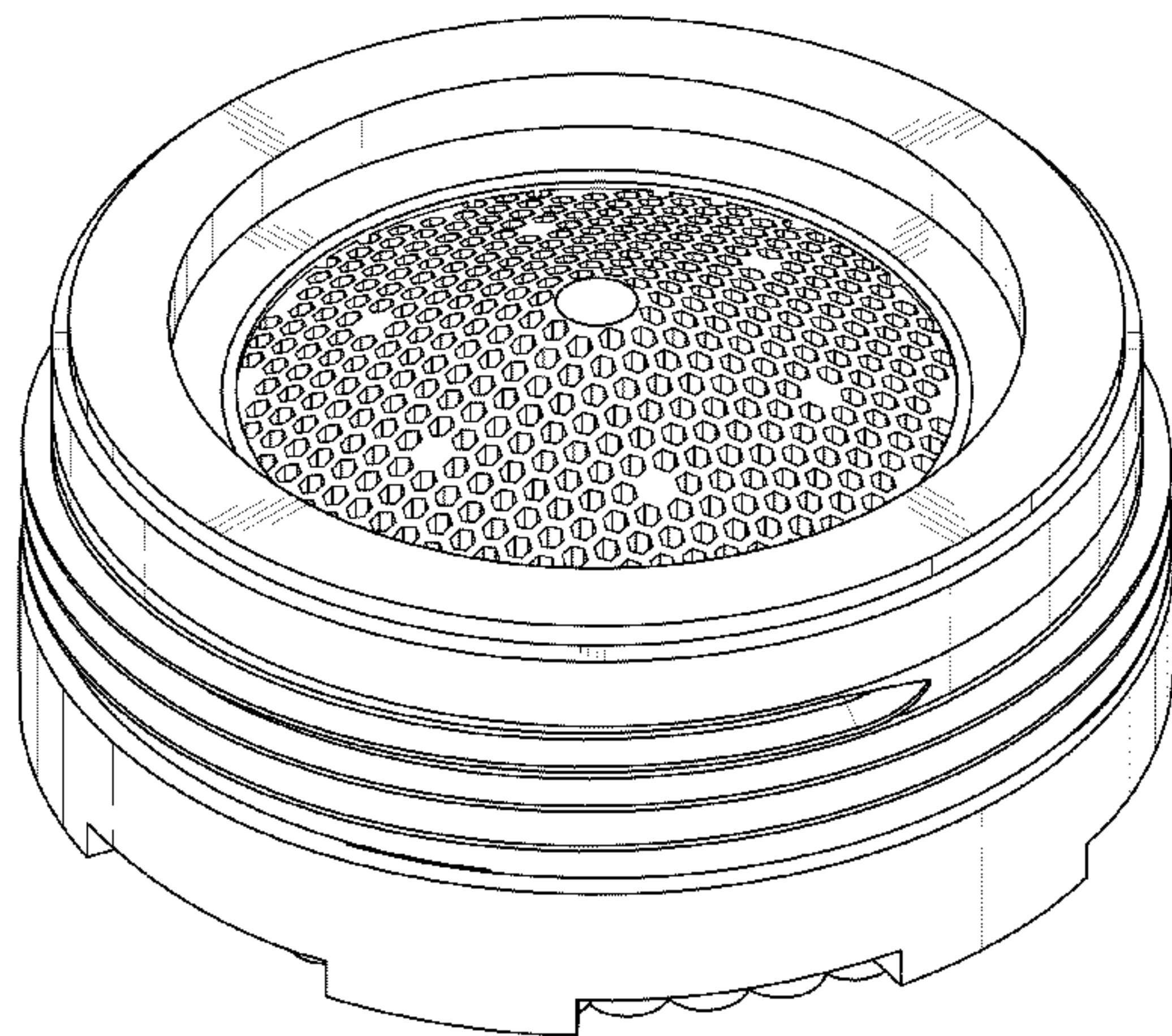
FIG. 2 is a top, front perspective view thereof;

FIG. 3 is a bottom view thereof;

FIG. 4 is a bottom, rear perspective view thereof; and,

FIG. 5 is an elevational view thereof.

**1 Claim, 5 Drawing Sheets**



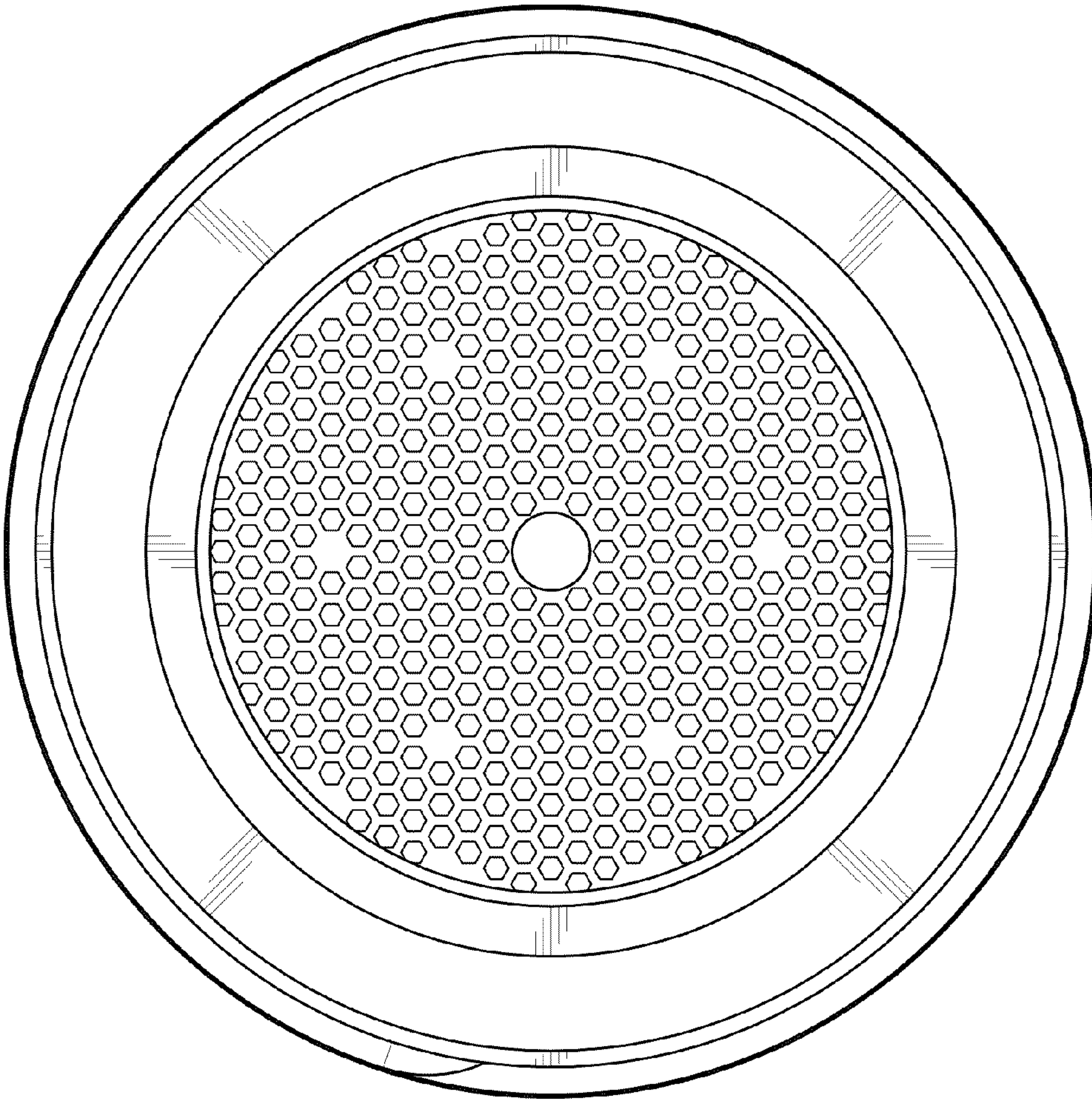


Fig. 1



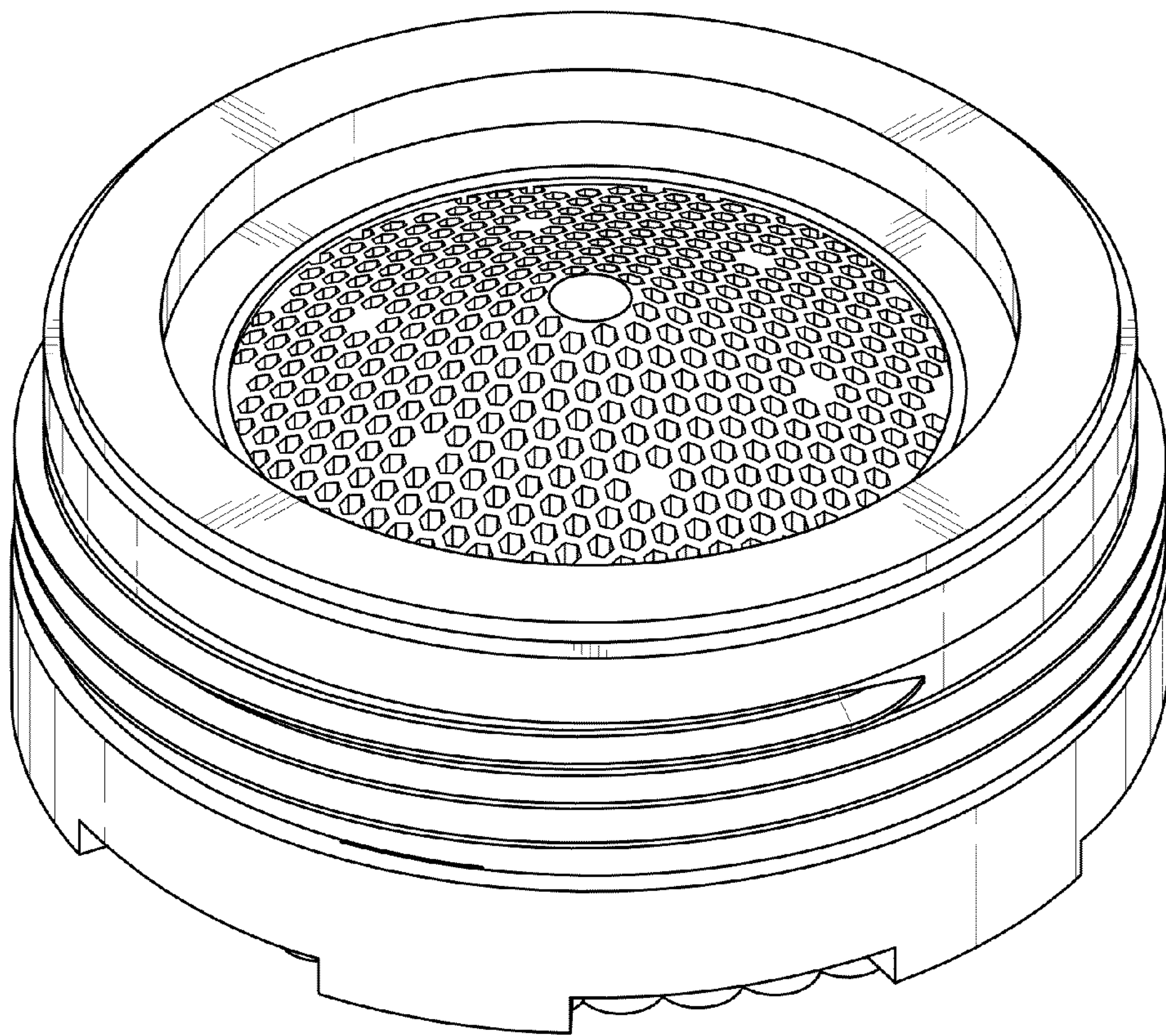


Fig. 2

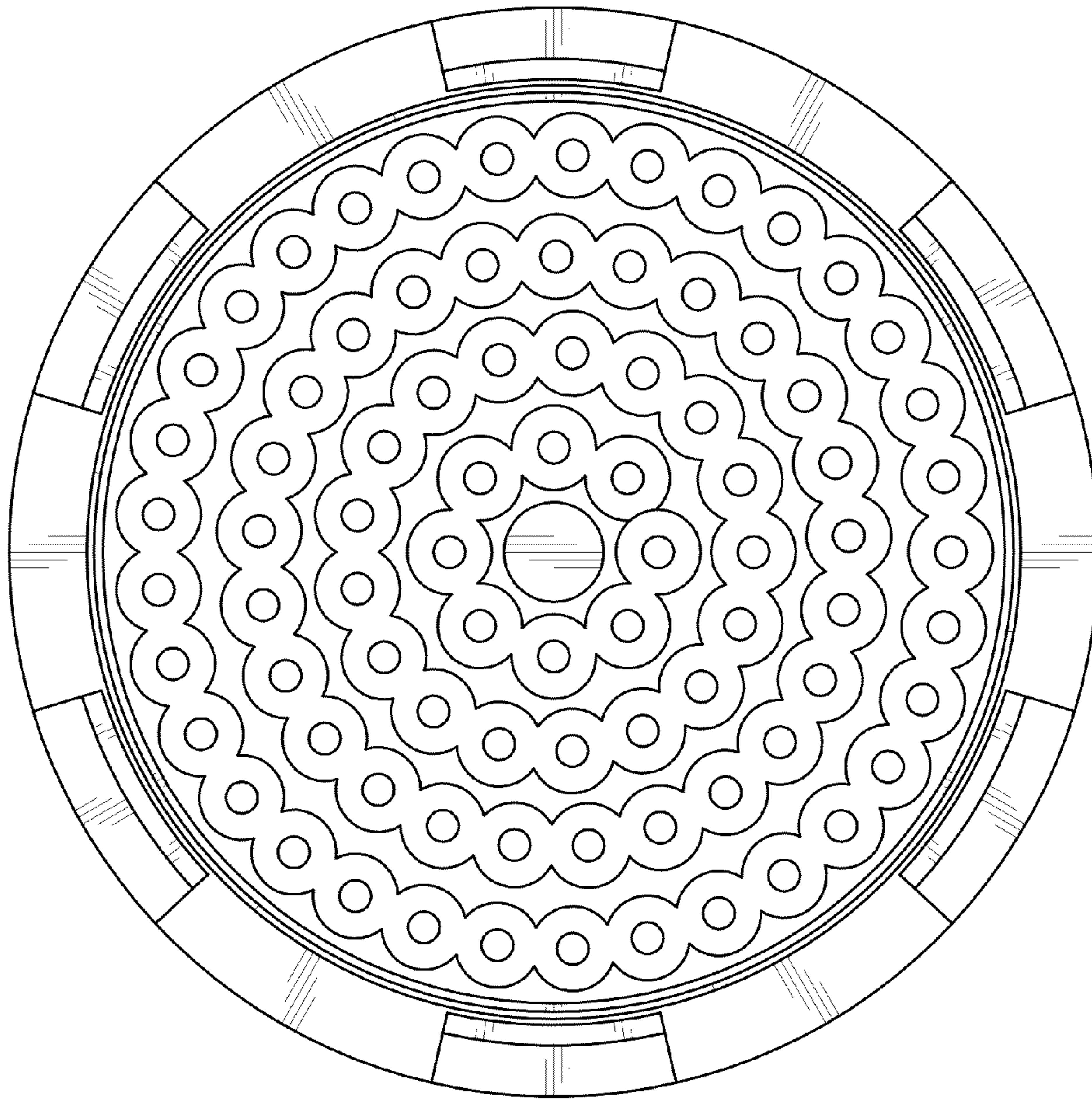


Fig. 3

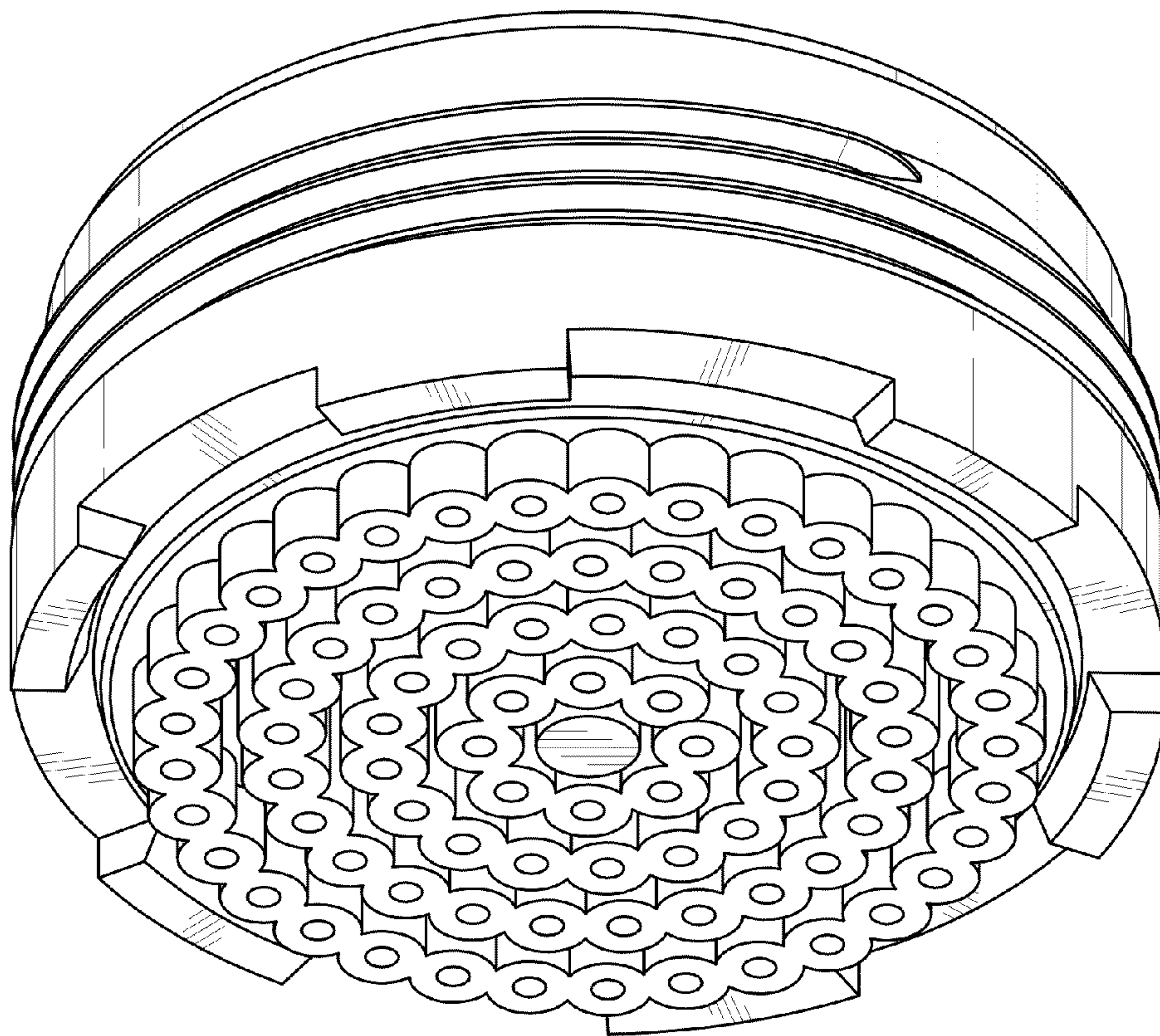


Fig. 4

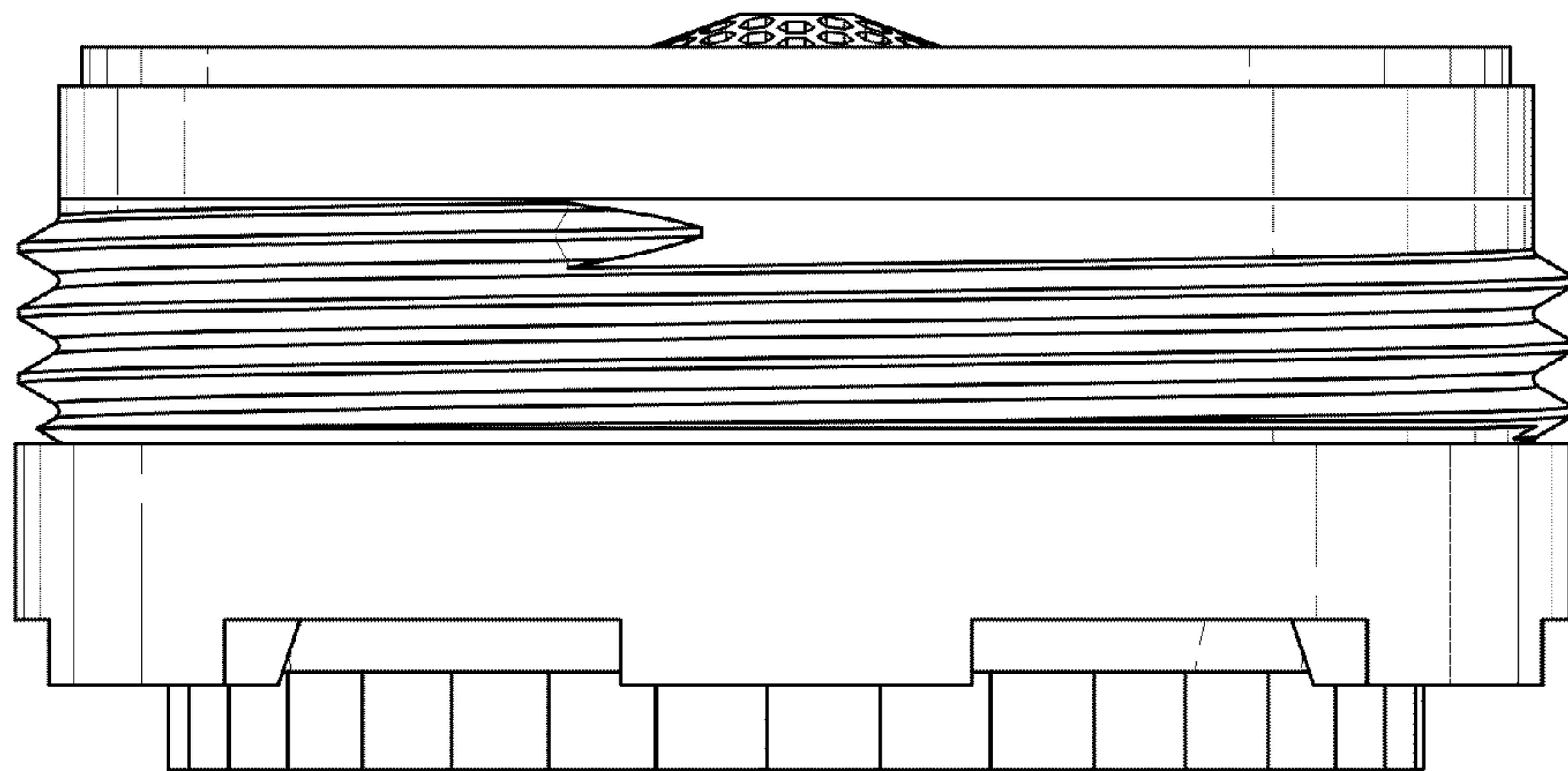


Fig. 5